



COAXIAL

Adapter

KF-KF50+

50Ω DC to 40 GHz 2.92mm-Female to 2.92mm-Female

THE BIG DEAL

- Ultra-Wideband, DC to 40 GHz
- Flat Response
- Low Insertion Loss, 0.06 dB
- Excellent VSWR, 1.04:1



Generic photo used for illustration purposes only

APPLICATIONS

- Interconnection of RF cable and equipment

| | |
|------------|------------------------|
| Model No. | KF-KF50+ |
| Case Style | DJ1860 |
| Connectors | 2.92 mm-F to 2.92 mm-F |

+RoHS Compliant
 The +Suffix identifies RoHS Compliance.
 See our website for methodologies and qualifications

PRODUCT OVERVIEW

Mini-Circuits' KF-KF50+ is a coaxial 2.92mm-F to 2.92mm-F adapter supporting a wide range of applications from DC to 40 GHz. This model provides excellent VSWR, low insertion loss, and flat response versus frequency. The KF-KF50+ features rugged, passivated stainless steel construction and measures only 0.74" (l) x 0.28" (dia.).

KEY FEATURES

| Features | Advantages |
|--|--|
| Wideband, DC to 40 GHz | Wide frequency range provides application flexibility and makes this model ideal for broadband and multi-band use. |
| Excellent VSWR, 1.04:1 | Provides good matching for 50Ω systems and minimizes signal reflections across wide frequency range. |
| Low insertion loss, 0.06 dB | Provides excellent signal power transmission from input to output. |
| Rugged, passivated stainless steel construction. | Stands up to wear and tear in demanding environments and provides excellent reliability. |
| Very wide operating temperature range, -55 to +100°C | Withstands extreme operating conditions and is suitable for use near high power componentry where heat rise is common. |



COAXIAL

Adapter

KF-KF50+

50Ω DC to 40 GHz 2.92mm-Female to 2.92mm-Female

ELECTRICAL SPECIFICATIONS AT 25°C

| Parameter | Condition (GHz) | Min. | Typ. | Max. | Units |
|-----------------|-----------------|------|------|------|-------|
| Frequency Range | - | DC | - | 40 | GHz |
| Insertion Loss | DC-40 | - | 0.08 | - | dB |
| VSWR | DC-18 | - | 1.02 | 1.15 | :1 |
| | DC-26 | - | 1.03 | 1.15 | |
| | DC-40 | - | 1.04 | 1.15 | |

ABSOLUTE MAXIMUM RATINGS

| Parameter | Ratings |
|-----------------------|-----------------|
| Operating Temperature | -55°C to +100°C |
| Storage Temperature | -55°C to +100°C |

Permanent damage may occur if any of these limits are exceeded.



COAXIAL

Adapter

KF-KF50+

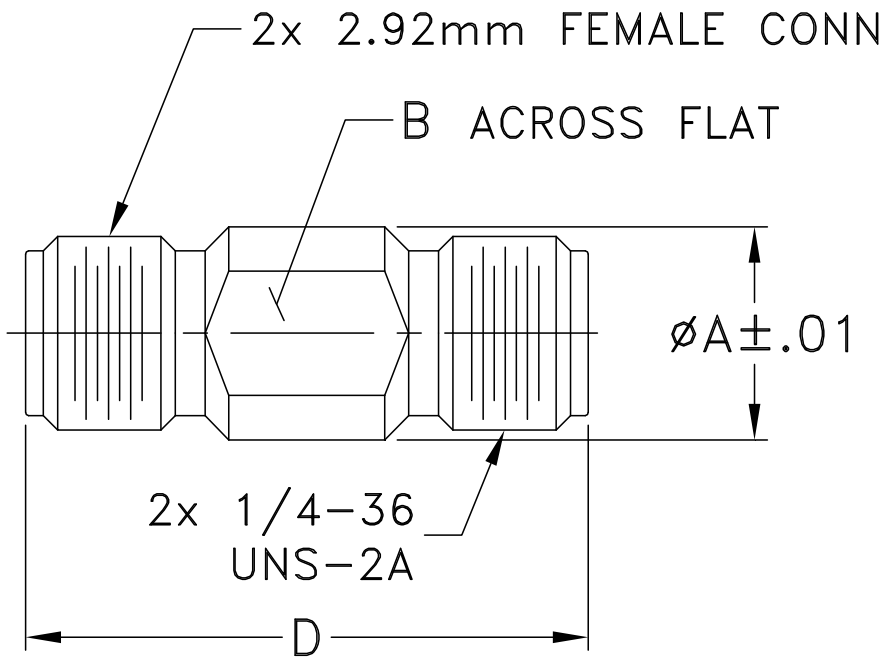
Mini-Circuits

50Ω DC to 40 GHz 2.92mm-Female to 2.92mm-Female

COAXIAL CONNECTIONS

| | |
|-------------|-----------|
| Connector 1 | 2.92 mm-F |
| Connector 2 | 2.92 mm-F |

OUTLINE DRAWING



OUTLINE DIMENSIONS (Inches) mm

| A | B | C | D | E | wt |
|------|-------|----|-------|----|-------|
| 0.28 | 0.234 | -- | 0.74 | -- | grams |
| 7.00 | 5.95 | -- | 18.80 | -- | 3.0 |