

Materials and Finish

Housing: Thermoplastic,
UL 94V-0 Rated, Black Color

Gate: PA66
Color: See Table (below)

Terminals: copper alloy,
tin plating all over
nickel underplating

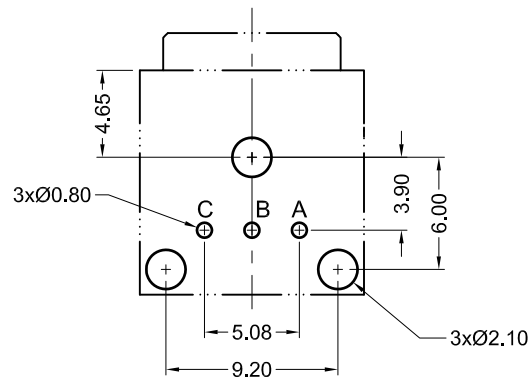
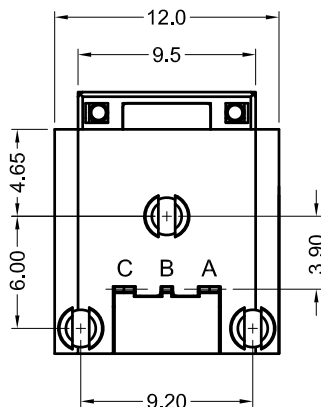
Mechanical Characteristics

Insertion Force:
3.5kg max.

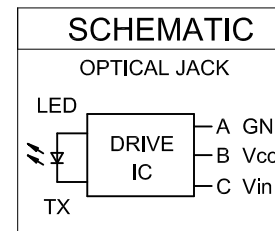
Extraction Force:
0.4kg min.

Durability: 500 mating cycles

Operating Voltage:
3V-5V.



Recommended PCB Layout
(Bottom View)



Part Number	Gate Color	
KFOX-T-1N-E-GRN2	Green	
KFOX-T-1N-E-BLK2	Black	
KFOX-T-1N-E-GRY2	Gray	Discontinued

RoHS COMPLIANT
EU Directive 2002/95/EC

Tolerances
X.X ± 0.30
X.XX ± 0.20
Unless Stated Otherwise

REV.	DATE	DESCRIPTION	REV. BY	CHK. BY	DRAWN BY	DATE
A1	4/27/07	Added Operating Voltage	A. Frederick	H. MA	H. MA	12/14/05
A2	5/30/07	Release Drawing	H. MA	N/A		
A3	6/11/07	Correct part number	A. Frederick	H. MA		
B1	04/17/08	ECO # 08-039	S. Vien	H. MA	UNITS	mm
B2	01/16/13	ECO #12-063	S. Vien	P.DalCanto		
B3	09/26/13	ECO #13-074	W. Cook	H. MA		

KFOX-T-1N-E-xxx2

Optic Audio Connector, RoHS Compliant

Transmitter, No Mounting Tab

