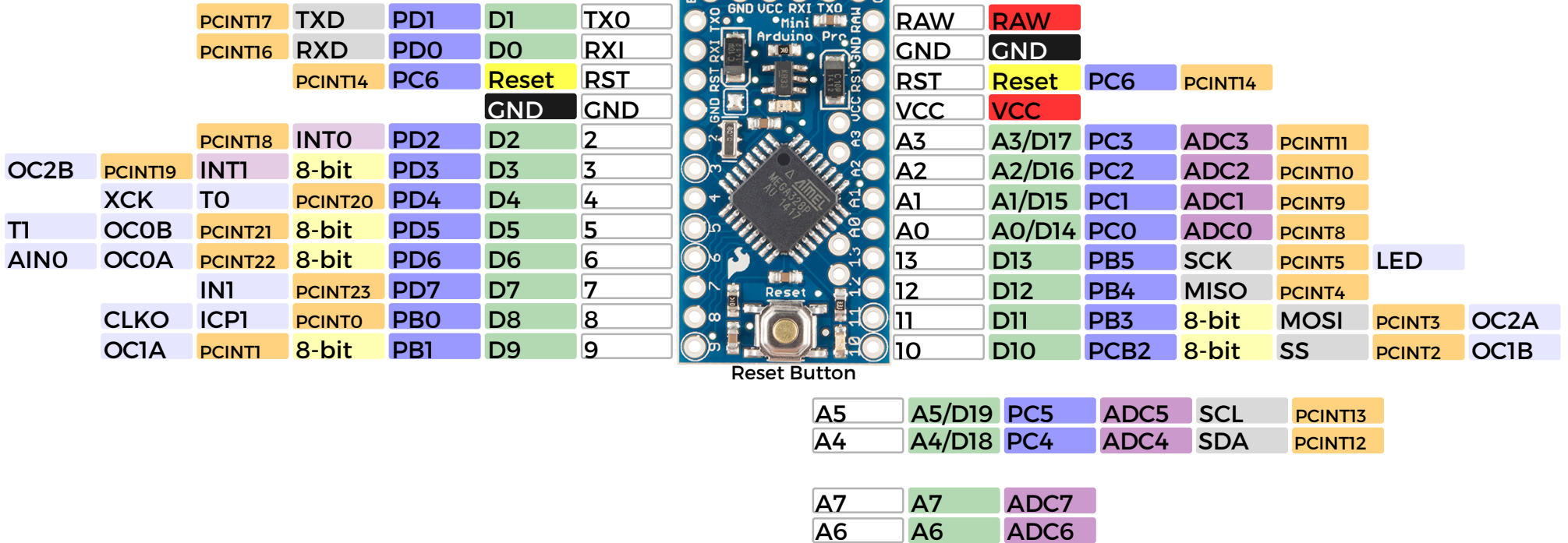


Arduino Pro Mini (DEV-11114)

Programmed as Arduino Pro Mini w/ ATmega328

8MHz/3.3V

| | |
|---------|---------------|
| Name | ADC |
| Power | PWM |
| GND | Serial |
| Control | Ext Interrupt |
| Arduino | PC Interrupt |
| Port | Misc |



Power
 Raw:3.3V-16V (4V-12V recommended)
 VCC:3.3V
 Maximum current: 150mA @3.3V

ATmega328P
 Absolute maximum VCC: 6V
 Maximum current for chip: 200mA
 Maximum current per pin: 40mA
 Recommended current per pin:20mA
 8-bit Atmel AVR
 Flash Program Memory: 32kB
 EEPROM: 1kB
 Internal SRAM 2kB
 ADC:10-bit
 PWM:8bit

LEDs
 Power: Red
 User (D13): Green

