



Hexagon Application Kit

For XMC4000 Family

CPU_44A-V2

CPU Board XMC4400 General Purpose

Board User's Manual

Revision 1.0, 2013-02-19

Microcontroller

Edition 2013-02-19

**Published by
Infineon Technologies AG
81726 Munich, Germany
© 2013 Infineon Technologies AG
All Rights Reserved.**

Legal Disclaimer

The information given in this document shall in no event be regarded as a guarantee of conditions or characteristics. With respect to any examples or hints given herein, any typical values stated herein and/or any information regarding the application of the device, Infineon Technologies hereby disclaims any and all warranties and liabilities of any kind, including without limitation, warranties of non-infringement of intellectual property rights of any third party.

Information

For further information on technology, delivery terms and conditions and prices, please contact the nearest Infineon Technologies Office (www.infineon.com).

Warnings

Due to technical requirements, components may contain dangerous substances. For information on the types in question, please contact the nearest Infineon Technologies Office.

Infineon Technologies components may be used in life-support devices or systems only with the express written approval of Infineon Technologies, if a failure of such components can reasonably be expected to cause the failure of that life-support device or system or to affect the safety or effectiveness of that device or system. Life support devices or systems are intended to be implanted in the human body or to support and/or maintain and sustain and/or protect human life. If they fail, it is reasonable to assume that the health of the user or other persons may be endangered.

Revision History

Page or Item	Subjects (major changes since previous revision)
Revision 1.0, 2013-02-19	Initial release

Trademarks of Infineon Technologies AG

AURIX™, C166™, CanPAK™, CIPOS™, CIPURSE™, EconoPACK™, CoolMOS™, CoolSET™, CORECONTROL™, CROSSAVE™, DAVE™, EasyPIM™, EconoBRIDGE™, EconoDUAL™, EconoPIM™, EiceDRIVER™, eupec™, FCOS™, HITFET™, HybridPACK™, I²RF™, ISOFACE™, IsoPACK™, MIPAQ™, ModSTACK™, my-d™, NovalithIC™, OptiMOS™, ORIGA™, PRIMARION™, PrimePACK™, PrimeSTACK™, PRO-SIL™, PROFET™, RASIC™, ReverSave™, SatRIC™, SIEGET™, SINDRION™, SIPMOS™, SmartLEWIS™, SOLID FLASH™, TEMPFET™, thinQ!™, TRENCHSTOP™, TriCore™.

Other Trademarks

Advance Design System™ (ADS) of Agilent Technologies, AMBA™, ARM™, MULTI-ICE™, KEIL™, PRIMECELL™, REALVIEW™, THUMB™, μVision™ of ARM Limited, UK. AUTOSAR™ is licensed by AUTOSAR development partnership. Bluetooth™ of Bluetooth SIG Inc. CAT-iq™ of DECT Forum. COLOSSUS™, FirstGPS™ of Trimble Navigation Ltd. EMV™ of EMVCo, LLC (Visa Holdings Inc.). EPCOS™ of Epcos AG. FLEXGO™ of Microsoft Corporation. FlexRay™ is licensed by FlexRay Consortium. HYPERTERMINAL™ of Hilgraeve Incorporated. IEC™ of Commission Electrotechnique Internationale. IrDA™ of Infrared Data Association Corporation. ISO™ of INTERNATIONAL ORGANIZATION FOR STANDARDIZATION. MATLAB™ of MathWorks, Inc. MAXIM™ of Maxim Integrated Products, Inc. MICROTEC™, NUCLEUS™ of Mentor Graphics Corporation. Mifare™ of NXP. MIPI™ of MIPI Alliance, Inc. MIPS™ of MIPS Technologies, Inc., USA. muRata™ of MURATA MANUFACTURING CO., MICROWAVE OFFICE™ (MWO) of Applied Wave Research Inc., OmniVision™ of OmniVision Technologies, Inc. Openwave™ Openwave Systems Inc. RED HAT™ Red Hat, Inc. RFMD™ RF Micro Devices, Inc. SIRIUS™ of Sirius Satellite Radio Inc. SOLARIS™ of Sun Microsystems, Inc. SPANSION™ of Spansion LLC Ltd. Symbian™ of Symbian Software Limited. TAIYO YUDEN™ of Taiyo Yuden Co. TEAKLITE™ of CEVA, Inc. TEKTRONIX™ of Tektronix Inc. TOKO™ of TOKO KABUSHIKI KAISHA TA. UNIX™ of X/Open Company Limited. VERILOG™, PALLADIUM™ of Cadence Design Systems, Inc. VLYNQ™ of Texas Instruments Incorporated. VXWORKS™, WIND RIVER™ of WIND RIVER SYSTEMS, INC. ZETEX™ of Diodes Zetex Limited.

Last Trademarks Update 2011-02-24

Table of Contents

Introduction	7
1 Overview	7
1.1 Key Features	7
1.2 Block Diagram	8
2 Hardware Description	9
2.1 Power Supply	9
2.2 Reset	12
2.3 Clock Generation.....	13
2.4 Boot Option	13
2.5 Debug Interface.....	14
2.5.1 On-board USB Debugger.....	15
2.5.2 Cortex Debug Connector (10-pin).....	16
2.5.3 Cortex Debug+ETM Connector (20-pin)	17
2.6 RGB LED.....	19
2.7 USB	19
2.8 RTC	21
2.9 User LEDs and User Buttons	22
2.10 Potentiometer	22
2.11 Satellite Connectors	23
2.11.1 COM Connector	24
2.11.2 HMI Connector	25
2.11.3 ACT Satellite Connector.....	26
3 Production Data	26
3.1 Schematics.....	26
3.2 Component Placement and Geometry.....	31
3.3 Bill of Material (BOM)	32

List of Figures

Figure 1	CPU_44A-V2 Board Block Diagram.....	8
Figure 2	CPU Board XMC4400 General Purpose (CPU_44A-V2).....	9
Figure 3	Powering Option.....	10
Figure 4	Block Diagram Of Power Supply.....	10
Figure 5	Reset Circuit.....	12
Figure 6	Reset LED and Reset Button.....	12
Figure 7	Clock Generation.....	13
Figure 8	Boot Options Switch.....	13
Figure 9	Installation of Serial Port Driver.....	15
Figure 10	On-Board USB Debugger.....	15
Figure 11	Cortex Debug Connector (10-pin).....	16
Figure 12	Cortex Debug Connector (10-pin) Layout.....	16
Figure 13	Cortex Debug+ETM Connector (20-pin).....	17
Figure 14	Cortex Debug+ETM Connector (20-pin) Layout.....	18
Figure 15	RGB LED.....	19
Figure 16	USB Connector.....	19
Figure 17	USB power generation - Host/OTG mode.....	20
Figure 18	Battery Holder for Coin Cells.....	21
Figure 19	XMC4400 Power Domains and Real Time Clock.....	21
Figure 20	User LEDs and User Buttons.....	22
Figure 21	Satellite Connectors.....	23
Figure 22	Satellite Connector Type COM.....	24
Figure 23	Satellite Connector Type HMI.....	25
Figure 24	Satellite Connector Type ACT.....	26
Figure 25	Satellite Connectors, USB-OTG.....	27
Figure 26	XMC4400.....	28
Figure 27	Power, Debug Connectors, Reset.....	29
Figure 28	On-board Debugger.....	30
Figure 29	Component Placement and Geometry.....	31

List of Tables

Table 1	Power status LED's	10
Table 2	Power Measurement	11
Table 3	Boot Options Settings	13
Table 4	Cortex Debug Connector (10 Pin)	16
Table 5	Cortex Debug+ETM Connector (20 Pin)	17
Table 6	RGB LED Connections	19
Table 7	USB micro AB connector Pinot	20
Table 8	User LEDs	22
Table 9	User Buttons.....	22
Table 10	Potentiometer	22
Table 11	BOM of CPU_44A-V2 Board.....	32

Introduction

This document describes the features and hardware details of the CPU Board XMC4400 General Purpose (CPU_44A-V2) designed to work with Infineon's XMC4400 Microcontroller. This board is part of Infineon's Hexagon Application Kits.

1 Overview

The CPU board CPU_44A-V2 houses the XMC4400 Microcontroller and three satellite connectors (HMI, COM, ACT) for application expansion. The board along with satellite cards (e.g. HMI_OLED-V1, COM_ETH-V1, AUT_ISO-V1 boards) demonstrates the capabilities of the XMC4400. The main use case for this board is to demonstrate the generic features of the XMC4400 device including tool chain. The focus is safe operation under evaluation conditions. The board is neither cost nor size optimized and does not serve as a reference design.

1.1 Key Features

The CPU_44A-V2 board is equipped with the following features

- XMC4400 (ARM[®] Cortex™-M4-based) Microcontroller, 512 kByte on-chip Flash, LQFP-100
- Connection to satellite cards via the satellite connectors COM, HMI and ACT
- USB OTG Host/Device support via micro USB connector
- Debug options
 - On-board Debugger via the Debug USB connector
 - Cortex Debug connector 10-pin (0.05")
 - Cortex Debug+ETM connector 20-pin (0.05")
- Reset push button
- RGB LED connected to GPIOs P1.10, P1.11 and P5.7
- Boot option switch
- PowerScale Connector: Ready for power consumption analysis
- 7 LED's
 - 3 Power indicating LEDs
 - 2 User LEDs (P5.2 and P1.8)
 - 1 RESET LED
 - 1 Debug LED
- Two User Buttons connected to HIB_IO_0 and P0.10
- Potentiometer, connected to analog input P14.1
- Power supply
 - Via Micro-USB connector in USB device mode
 - Via satellite connector pins (COM/ACT satellites cards can supply power to CPU board)
 - Via Debug USB connector
 - RTC backup battery

1.2 Block Diagram

Figure 1 shows the functional block diagram of the CPU_44A-V2 board. For more information about the power supply please refer to chapter 2.1.

The CPU board has got the following building blocks:

- 3 Satellite Connectors (COM, HMI ACT)
- 2 User LEDs connected to GPIOs P5.2 and P1.8
- 2 User Buttons connected to HIB_IO_0 and P0.10
- RGB LED connected to GPIOs P1.10, P1.11 and P5.7
- 2 Cortex Debug Connectors
- Variable resistor (POTI) connected to GPIO P14.1
- USB On-The-Go Connector (Micro-USB)
- On-board Debugger via Debug USB connector (Micro-USB)

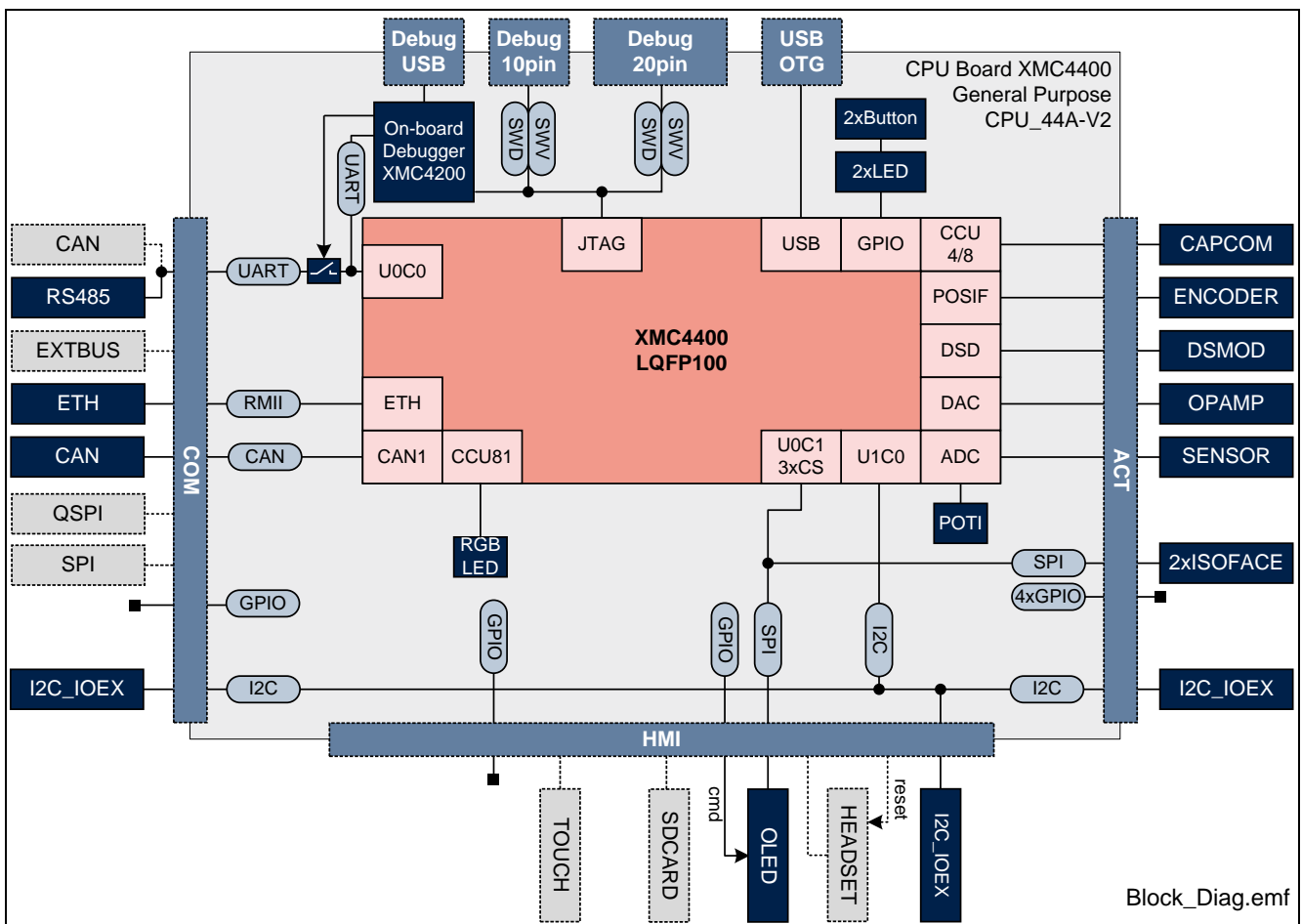


Figure 1 CPU_44A-V2 Board Block Diagram

2 Hardware Description

The following sections give a detailed description of the hardware and how it can be used.

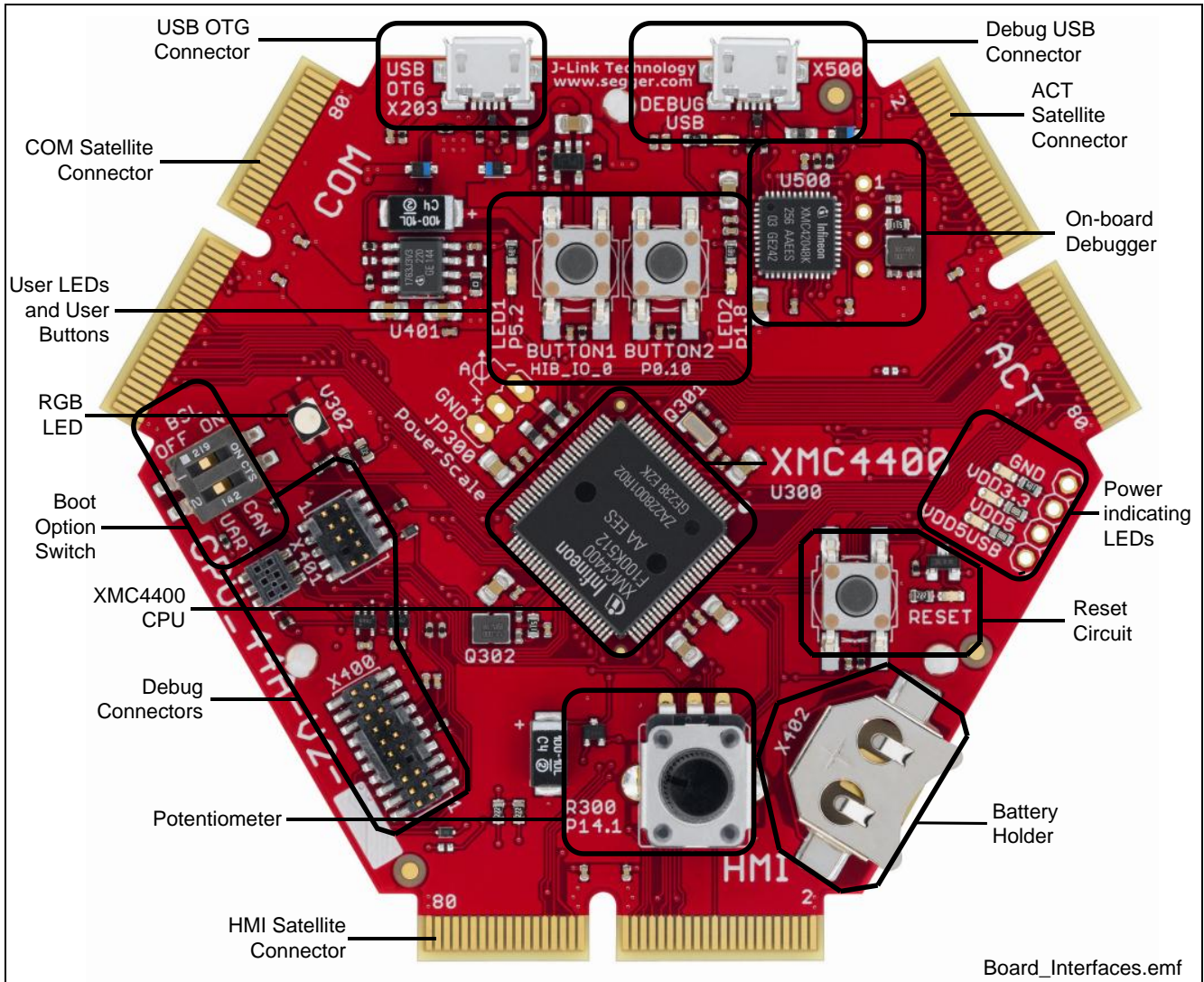


Figure 2 CPU Board XMC4400 General Purpose (CPU_44A-V2)

2.1 Power Supply

The CPU_44A-V2 board can be powered via either of the USB plugs (5 V); however, there is a current limit that can be drawn from the host PC through USB. If the CPU_44A-V2 board is used to drive other satellite cards e.g. MOT_GPDLV-V2 and the total system current required exceeds 500 mA, then the CPU_44A-V2 board needs to be powered by a satellite cards. These satellite cards support external power supply.

The typical current drawn by the CPU board without any satellite cards connected is about 190 mA (@5 V).

For powering the board through an USB interface, connect the USB cable provided with the kit to either of the Micro-USB connector on board as shown in Figure 3.

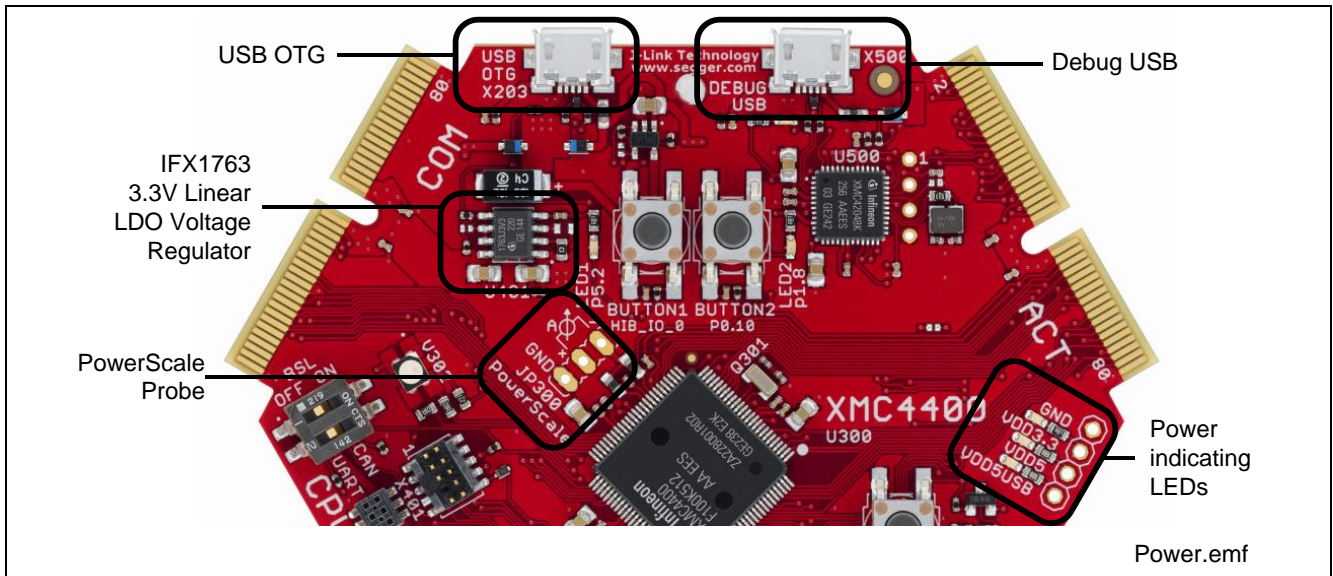


Figure 3 Powering Option

To indicate the power status of the CPU_44A-V2 board three power indicating LED's are provided on board (see Figure 3). The LED will be "ON" when the corresponding power rail is powered.

Table 1 Power status LED's

LED Reference	Power Rail	Voltage	Note
V401	VDD5	5 V	Must always be "ON"
V402	VDD5USB	5 V	"ON" if powered by USB OTG connector X203 "OFF" in all other supply cases
V403	VDD3.3	3.3 V	Must always be "ON"

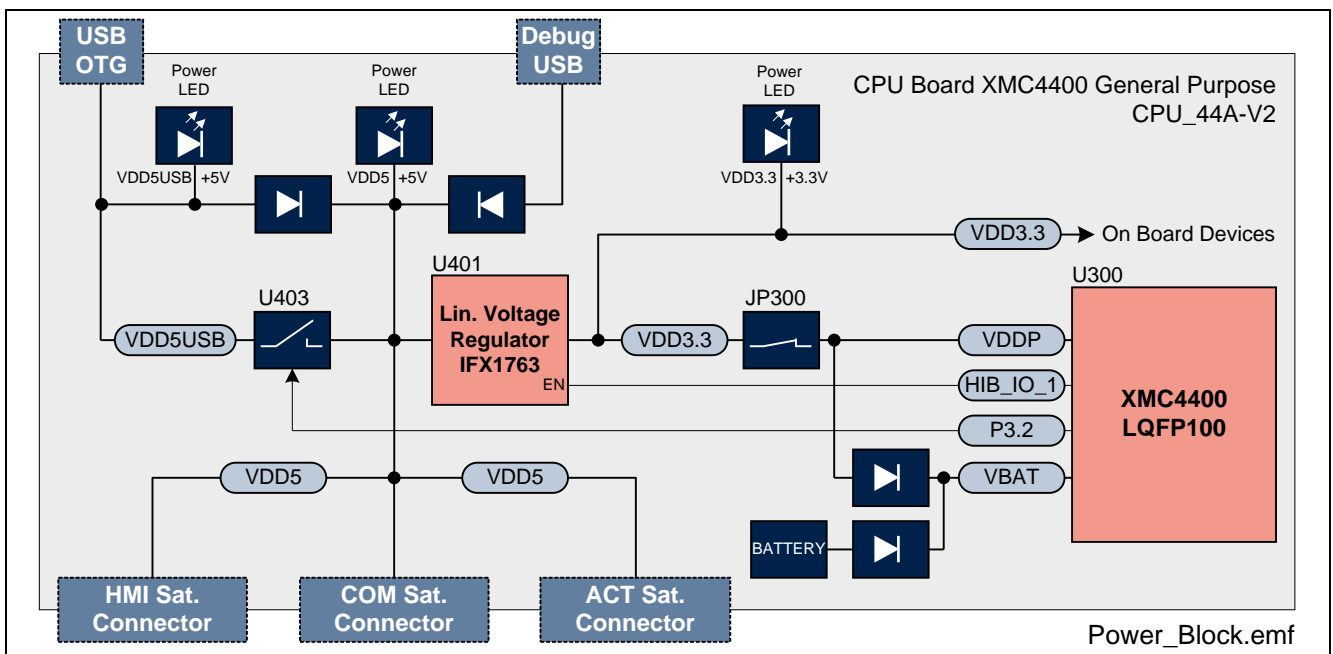


Figure 4 Block Diagram Of Power Supply

Hitex PowerScale probe is provided on the CPU_44A-V2 board to measure the power consumption of the XMC4400 device.

Table 2 Power Measurement

Jumper	Function	Description
JP300	PowerScale	A Hitex PowerScale probe can be connected for current sensing the VDD3.3 (CPU power source). Default: pos. 1-2 (closed) <i>Note: On the PCB there is a shorting trace between pin 1-2. This trace has to be cut first, before using PowerScale. Pin 3 is GND.</i>

2.2 Reset

A reset signal connected to the low-active PORST# pin of the target CPU (U300) can be issued by

- an on-board Reset Button (SW400, RESET)
- an on-board debug device (U500)
- an external debugger connected to either Cortex Debug connector X400 or X401

The RESET signal is routed to all satellite connectors. The reset circuit includes a red LED (V407) to indicate the reset status: The Reset LED (V407) will be "ON" during active reset state and will be "OFF" if reset is not active.

Be aware that PORST# is a bidirectional reset pin of the XMC4000 family which can also be pulled low by the XMC4000 device itself.

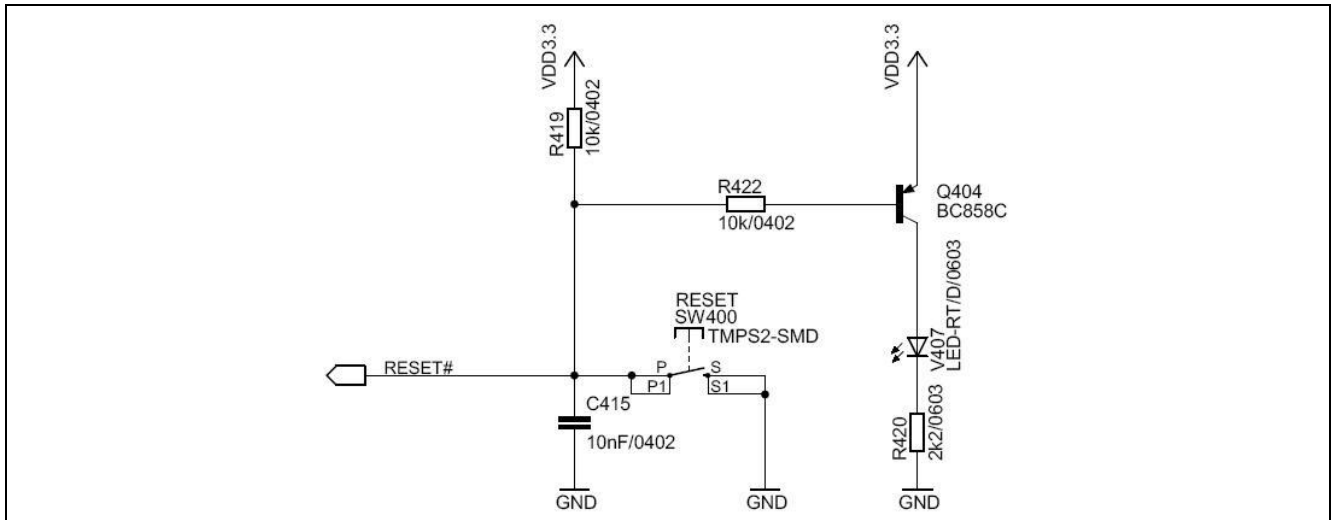


Figure 5 Reset Circuit

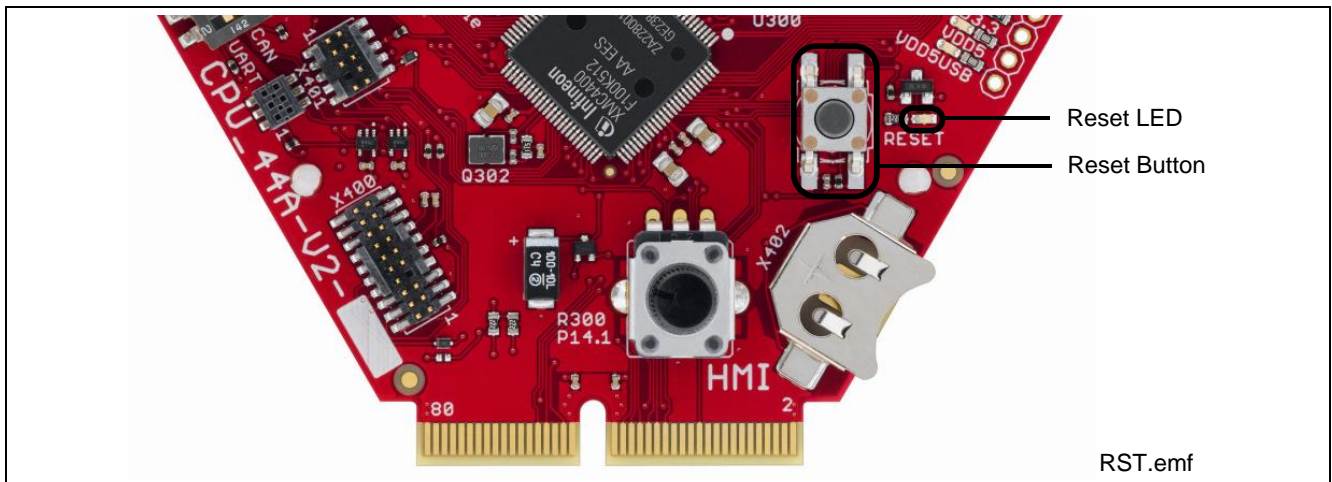


Figure 6 Reset LED and Reset Button

2.3 Clock Generation

An external 12 MHz crystal provides the clock signal to the XMC4400 microcontroller. The drive strength of the oscillator is set to maximum by software, in order to ensure a safe start-up of the oscillator even under worst case conditions. Therefore a serial 510 Ohm resistor will attenuate the oscillations during operations.

For the RTC clock a separate external 32.768 kHz crystal is used on board.

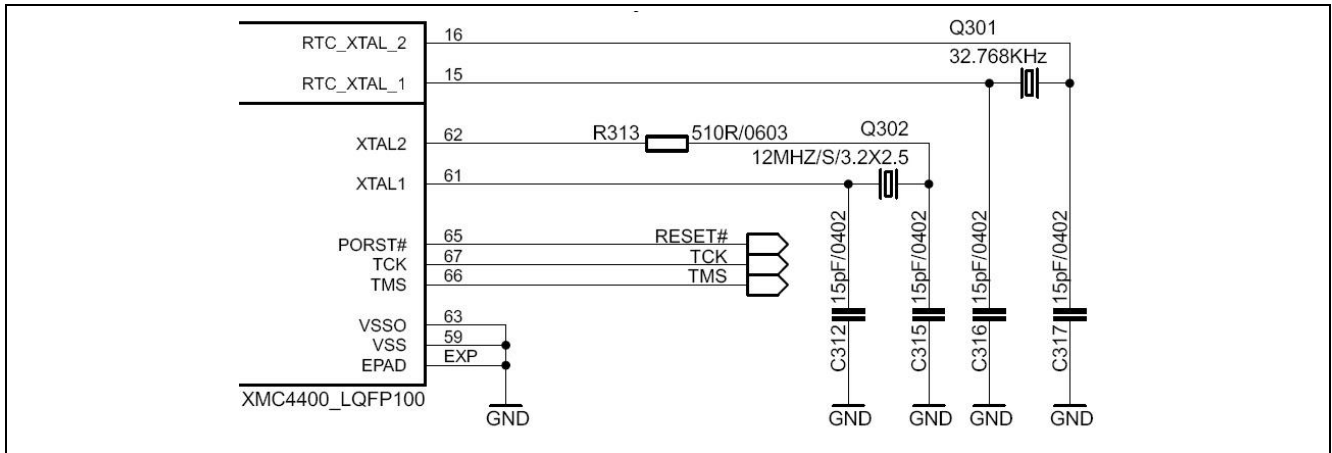


Figure 7 Clock Generation

2.4 Boot Option

During power-on-reset the XMC4400 latches the dip switch SW300 settings via the TCK and the TMS pin. Based on the values latched different boot options are possible.

Table 3 Boot Options Settings

BSL (TMS)	CAN/UART (TCK)	Boot Option
OFF (1)	UART (0)	Normal Mode (Boot from flash)
ON (0)	UART (0)	ASC BSL Enabled (Boot from UART)
OFF (1)	CAN (1)	BMI Customized Boot Enabled
ON (0)	CAN (1)	CAN BSL Enabled (Boot from CAN)

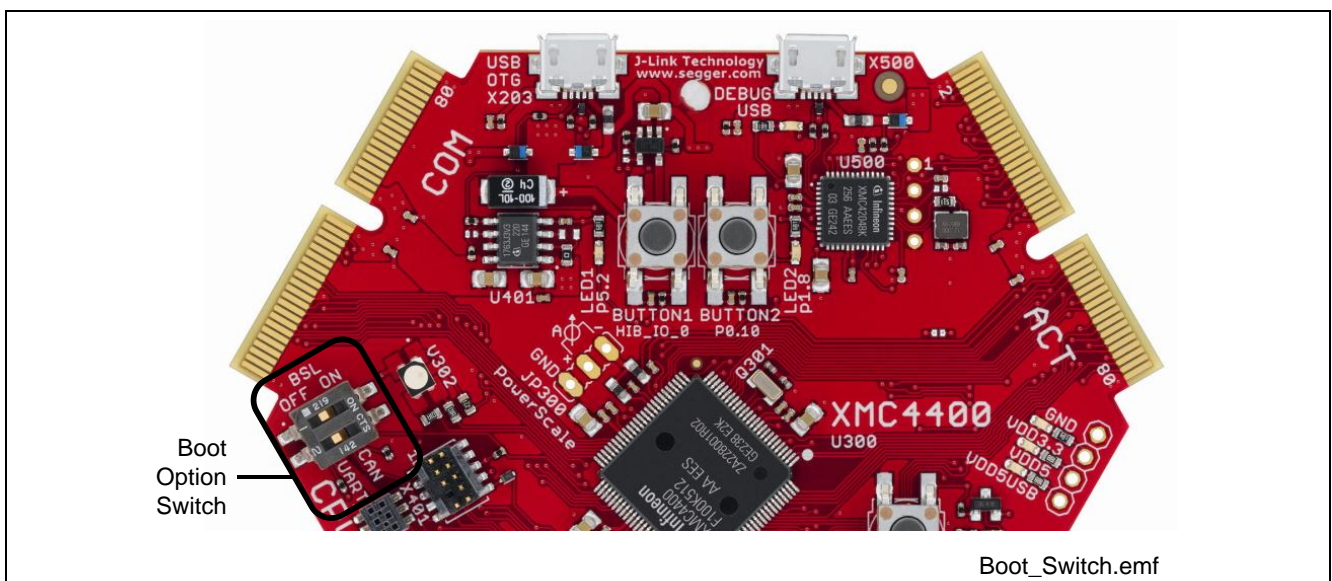


Figure 8 Boot Options Switch

2.5 Debug Interface

The CPU_44A-V2 board supports debugging via 3 different channels:

- On-board Debugger
- Cortex Debug Connector (10-pin)
- Cortex Debug+ETM Connector (20-pin)

The Hexagon Application Boards are designed to use “Serial Wire Debug” as debug interface. JTAG debug is not supported by default because the GPIO P0.7, where the required TDI function is mapped to also, is used by various Actuator boards connected to the ACT satellite connector.

Note: It is strongly recommended not to use JTAG debug mode, especially if satellites boards are connected, which uses the GPIO 0.7. For the same reason also do not use the on-board debugger in JTAG mode.

If you want to use the JTAG debug mode through the cortex debug connectors (X400, X401) anyway, enable the JTAG interface of the XMC device by assembling the pull-up resistor R427 (4k7 Ohm) and the resistor R410 (0 - 33 Ohm).

2.5.1 On-board USB Debugger

The on-board debugger [1] supports

- Serial Wire Debug
- Serial Wire Viewer
- Full Duplex UART communication via a USB Virtual COM

[1] Attention: Newer firmware versions of the on-board debugger require the latest J-Link driver (V4.62 or higher) and a Serial Port Driver (CDC driver) installed on your computer. Please check “Install J-Link Serial Port Driver” when installing the latest J-Link driver (see Figure 9)

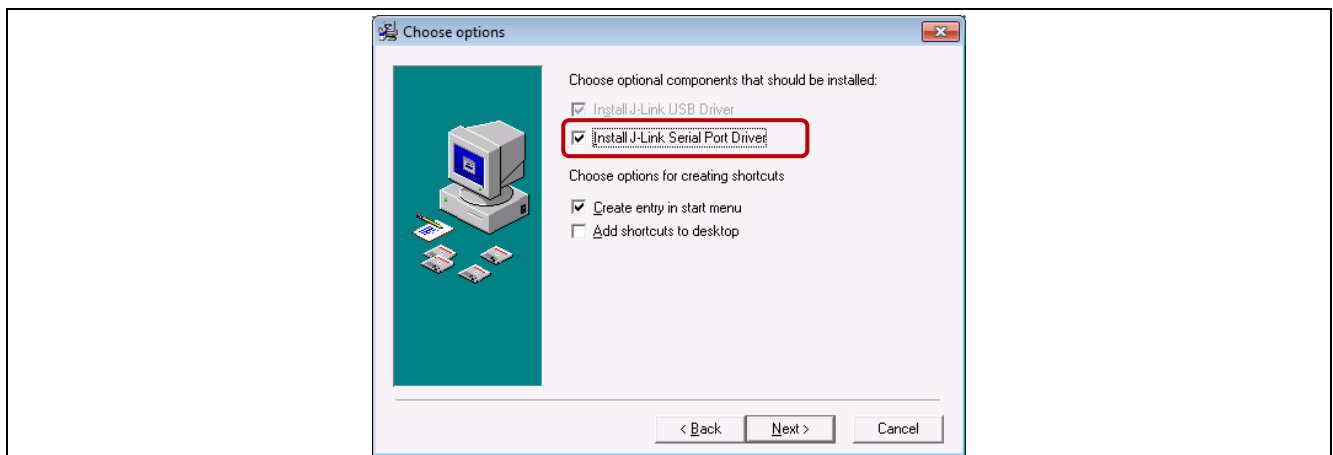


Figure 9 Installation of Serial Port Driver

The on-board debugger can be accessed through the Debug USB connector shown in Figure 10. The Debug LED V502 shows the status during debugging.

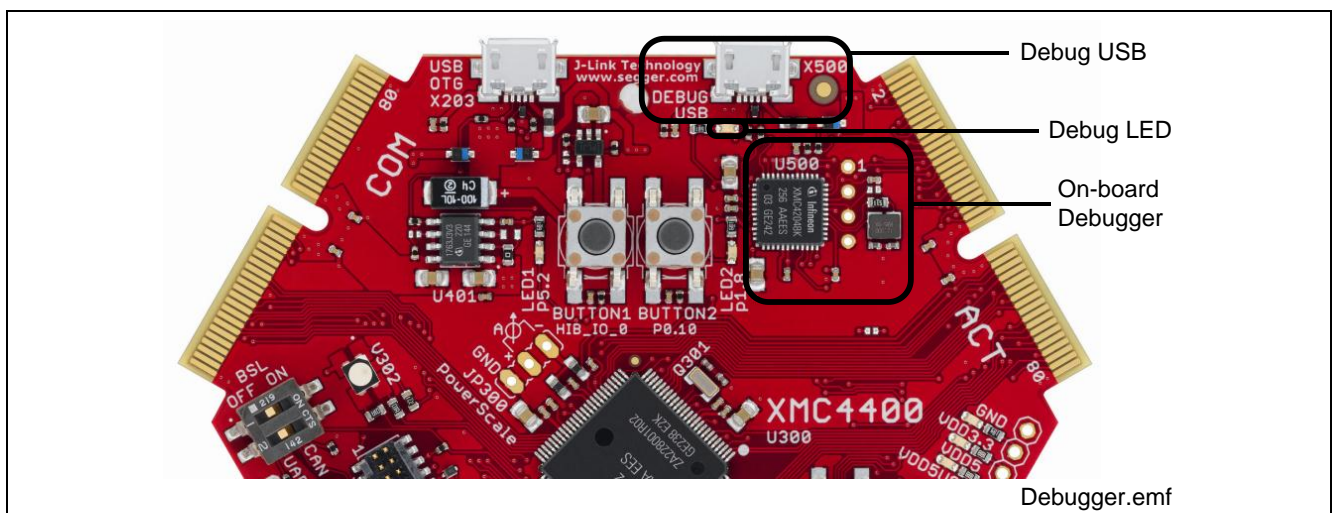


Figure 10 On-Board USB Debugger

When using an external debugger connected to the 10pin/20pin Cortex Debug Connector, the on-board debugger is switched off.

When using the USB virtual COM port function of the on-board debugger the UART interface to the COM satellite is disabled through the switches U301 and U303.

2.5.2 Cortex Debug Connector (10-pin)

The CPU_44A-V2 board supports Serial Wire Debug operation and Serial Wire Viewer operation (via the SWO signal when Serial Wire Debug mode is used) through the 10-pin Cortex Debug Connector.

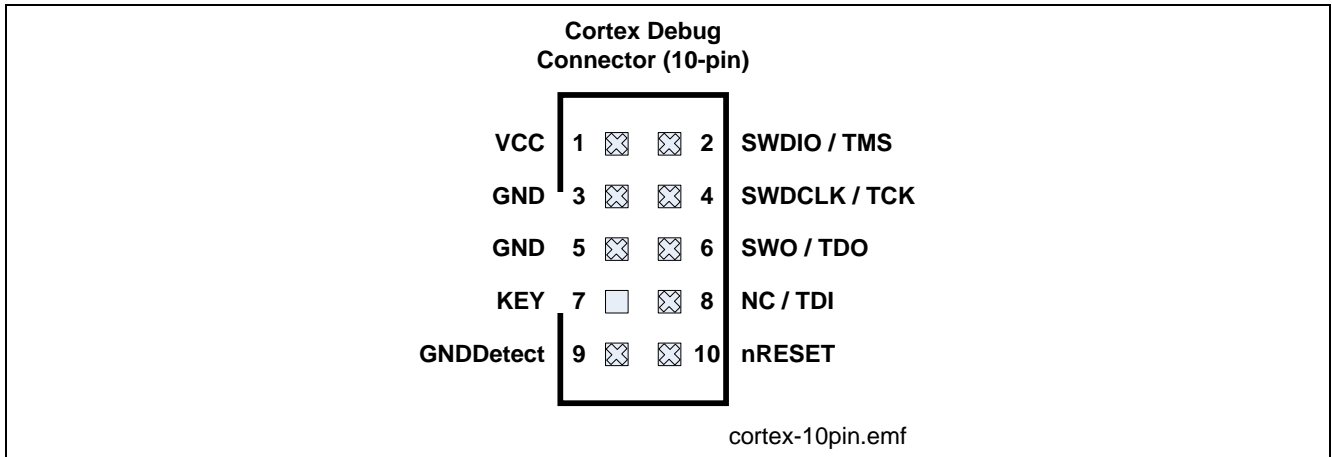


Figure 11 Cortex Debug Connector (10-pin)

Table 4 Cortex Debug Connector (10 Pin)

Pin No.	Signal Name	Serial Wire Debug	JTAG Debug
1	VCC	+3.3 V	+3.3 V
2	SWDIO / TMS	Serial Wire Data I/O	Test Mode Select
3	GND	Ground	Ground
4	SWDCLK / TCK	Serial Wire Clock	Test Clock
5	GND	Ground	Ground
6	SWO / TDO	Trace Data OUT	Test Data OUT
7	KEY	KEY	KEY
8	NC / TDI	Not connected	Test Data IN
9	GNDDetect	Ground Detect	Ground Detect
10	nRESET	Reset (Active Low)	Reset (Active Low)

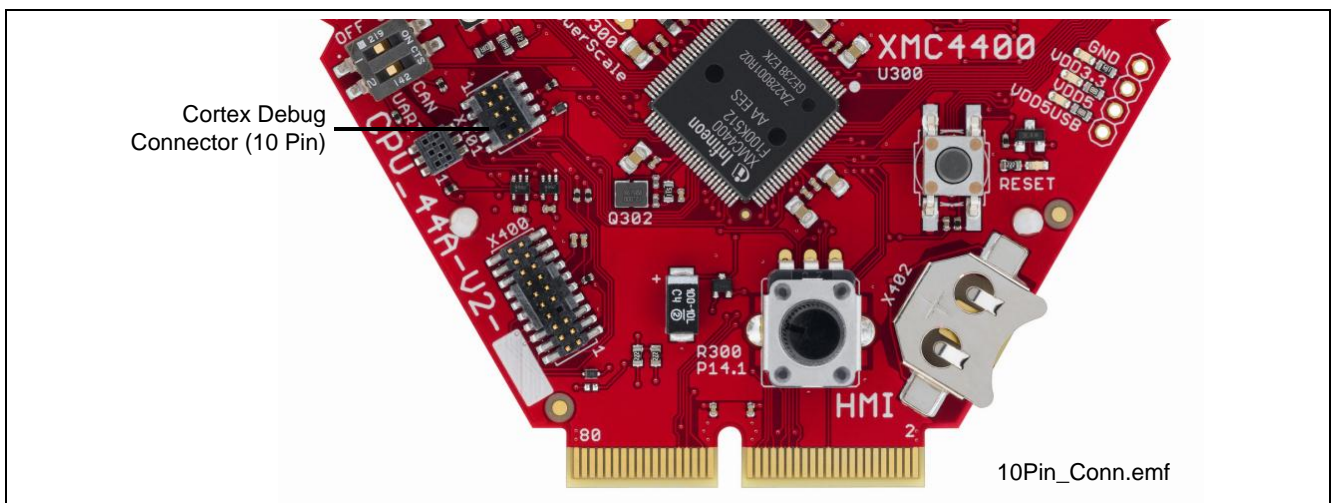


Figure 12 Cortex Debug Connector (10-pin) Layout

2.5.3 Cortex Debug+ETM Connector (20-pin)

The CPU_44A-V2 board supports Serial Wire Debug operation, Serial Wire Viewer operation (via SWO connection when Serial Wire Debug mode is used) through the 20-pin Cortex Debug+ETM Connector. The board does not support the Instruction Trace operation.

JTAG Debug operation additionally would require the TDI (P0.7) signal. By default the TDI signal is disconnected from the Cortex Debug Connectors by a not assembled resistor R410, because the pin P0.7 is used by some Actuator boards connected to the ACT satellite connector.

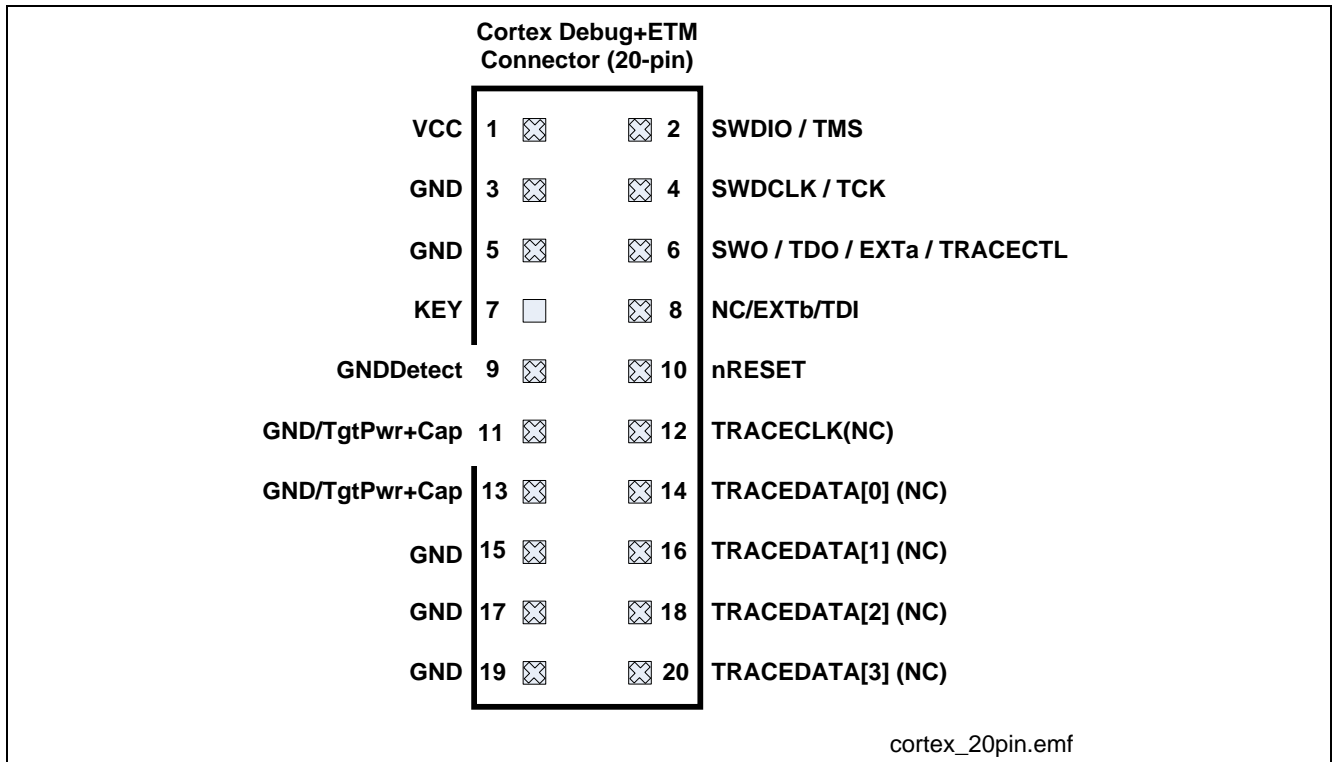


Figure 13 Cortex Debug+ETM Connector (20-pin)

Table 5 Cortex Debug+ETM Connector (20 Pin)

Pin No.	Signal Name	Serial Wire Debug	JTAG Debug
1	VCC	+3.3 V	+3.3 V
2	SWDIO / TMS	Serial Wire Data I/O	Test Mode Select
3	GND	Ground	Ground
4	SWDCLK / TCK	Serial Wire Clock	Test Clock
5	GND	Ground	Ground
6	SWO / TDO	Trace Data OUT	Test Data OUT
7	KEY	KEY	KEY
8	NC / TDI	Not connected	Test Data IN
9	GNDDetect	Ground Detect	Ground Detect
10	nRESET	Reset (Active Low)	Reset (Active Low)
11	GND/TgtPwr+Cap	Ground	Ground
12	TRACECLK*	TRACECLK*	TRACECLK*
13	GND/TgtPwr+Cap	Ground	Ground
14	TRACEDATA[0]*	TRACEDATA[0]*	TRACEDATA[0]*
15	GND	Ground	Ground

Table 5 Cortex Debug+ETM Connector (20 Pin)

Pin No.	Signal Name	Serial Wire Debug	JTAG Debug
16	TRACEDATA[1]*	TRACEDATA[1]*	TRACEDATA[1]*
17	GND	Ground	Ground
18	TRACEDATA[2]*	TRACEDATA[2]*	TRACEDATA[2]*
19	GND	Ground	Ground
20	TRACEDATA[3]*	TRACEDATA[3]*	TRACEDATA[3]*

Note: * Not connected on the CPU_44A-V2 board.

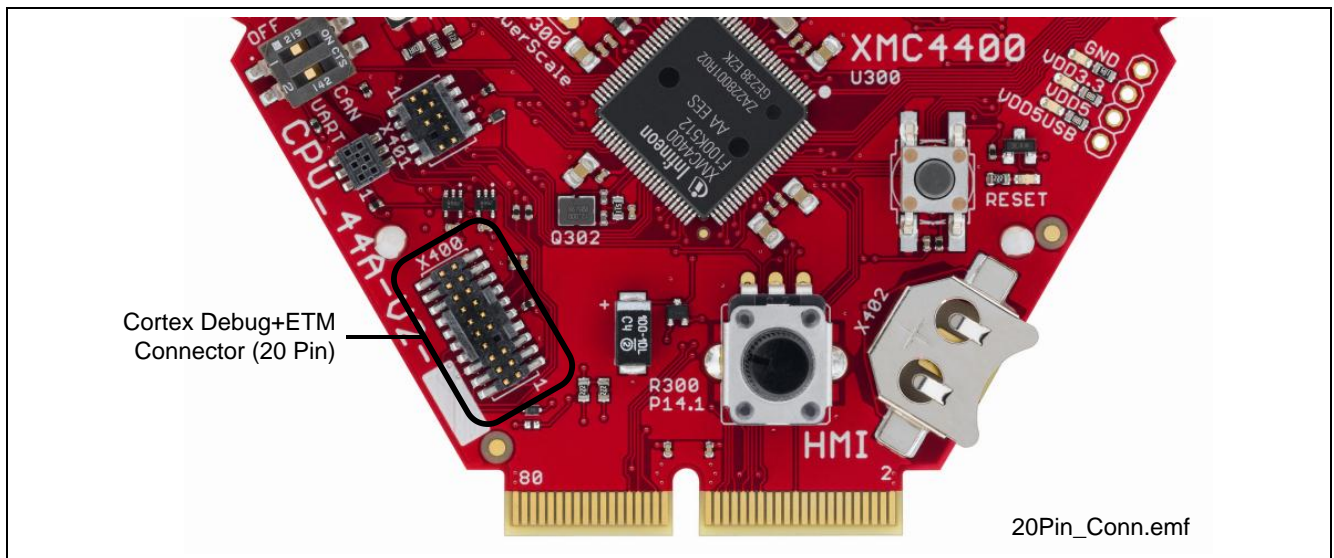


Figure 14 Cortex Debug+ETM Connector (20-pin) Layout

2.6 RGB LED

The CPU_44A-V2 board has a tricolored LED. The LED glows with either Red/Blue/Green colors as controlled by the GPIO pins given below.

Table 6 RGB LED Connections

Pin No. / Function	LED Color
P5.7 / CCU81.OUT02	RED
P1.11 / CCU81.OUT11	GREEN
P1.10 / CCU81.OUT21	BLUE

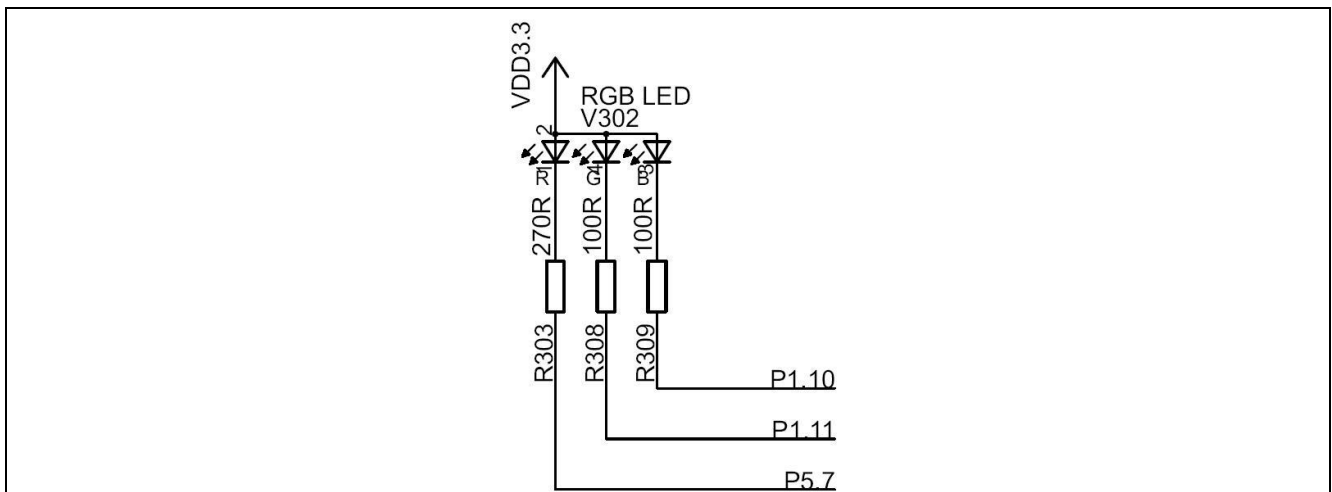


Figure 15 RGB LED

2.7 USB

The XMC4400 supports USB interface in host only mode, device only mode or as an OTG Dual Role Device (DRD). In USB device mode, power is expected through VBUS (pin 1 of X203C) from an external host (e.g. PC). When the current consumption of the application running on the Hexagon Application system is higher than 500 mA, power from an external source through satellite cards shall be used.

Note: Some PCs, notebooks or hubs have a weak USB supply which is not sufficient for proper supply. In this case use an external 5 Volt power supply or a powered USB hub.

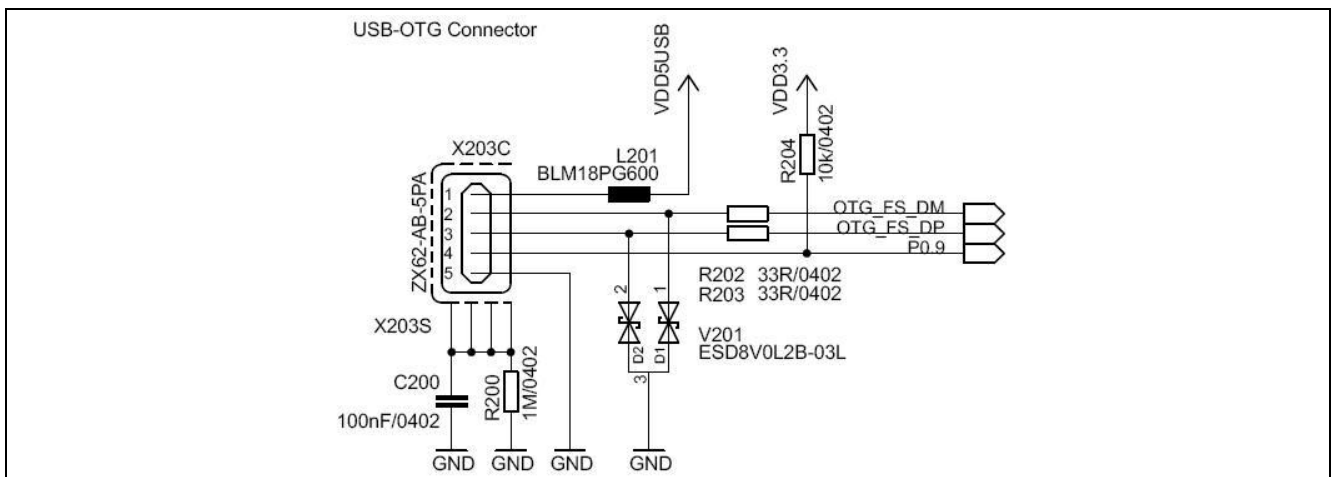


Figure 16 USB Connector

USB ID pin of the USB connector (pin 4 of X203C) is connected to the port pin P0.9 of the XMC4400. On this port pin the USD identification signal (USB.ID) of XMC4000 USB module is mapped to. An OTG device will detect whether a USB Micro-A or Micro-B plug is inserted by checking the ID pin. When the ID = FALSE a Micro-A connector is plugged in and when ID = TRUE a Micro-B connector is plugged in. When the ID is true the XMC4400 acts as a USB host else as a USB device.

Table 7 USB micro AB connector Pinot

Pin No.	Pin Name	Pin Description
1	VBUS	5 V
2	D-	Data Minus
3	D+	Data Plus
4	ID	Identification
5	GND	Ground

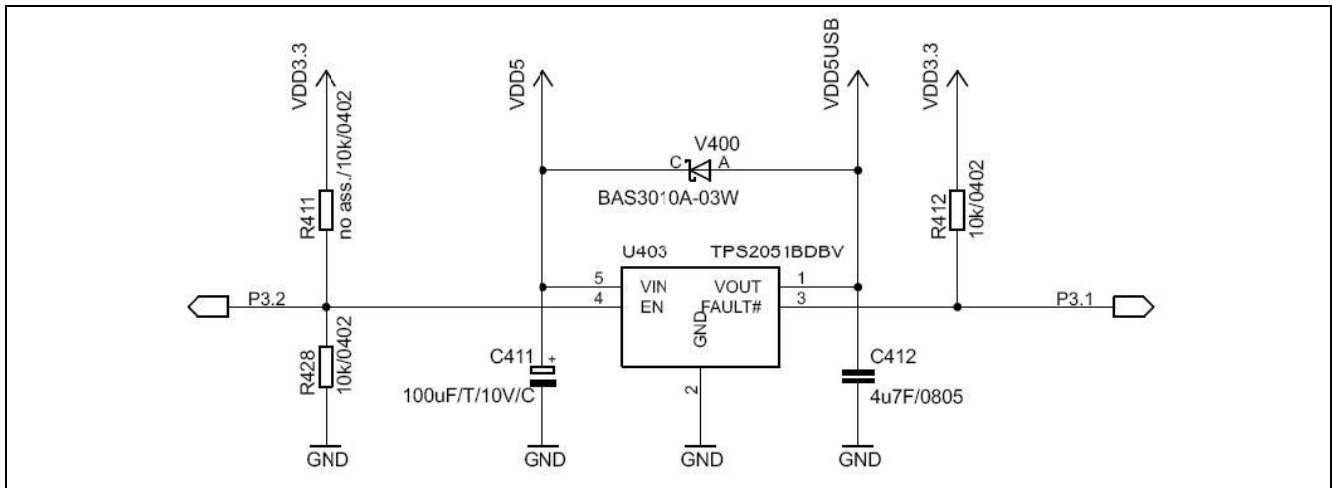


Figure 17 USB power generation - Host/OTG mode

In the host only mode and OTG mode the CPU_44A-V2 board is capable of supplying power to the connected device (e.g. USB mouse). The board has a power-switch which is controlled by the USB.BUSDRIVE signal of the XMC4400. The USB.BUSDRIVE signal is mapped to port pin P3.2 (active high).

In the Host/OTG mode a low active FAULT signal indicates to the port pin P3.1 of the XMC4400, if more than 500 mA current is drawn by the external device.

Diode V400 will allow powering the board through USB in all USB modes via e.g. a PC.

2.8 RTC

The XMC4400 CPU has two power domains, the Core Domain and Hibernate Domain.

The Core Domain (VDDP pins) is connected to the VDD3.3 rail. An on-board LDO voltage regulator generates VDD3.3 (3.3 V) from VDD5 (5 V).

The Hibernate Domain is powered via the auxiliary supply pin VBAT, which is supplied by either a 3 V coin cell (size 1216, 1220, 1225) plugged into the battery holder or 3.3 V (VDD3.3) generated by the on-board voltage regulator.



Figure 18 Battery Holder for Coin Cells

The Real Time Clock (RTC) is located in the hibernate domain. The XMC4400 uses the HIB_IO_1 signal (active low) to shut down the external LDO voltage regulator which generates the VDD3.3 (Core Domain). Even if the Core Domain is not powered the Hibernate Domain will operate if VBAT is available. The RTC keeps running as long as the Hibernate Domain is powered via the auxiliary supply VBAT. The RTC is capable to wake-up the whole system from Hibernate mode by setting HIB_IO_1 to high.

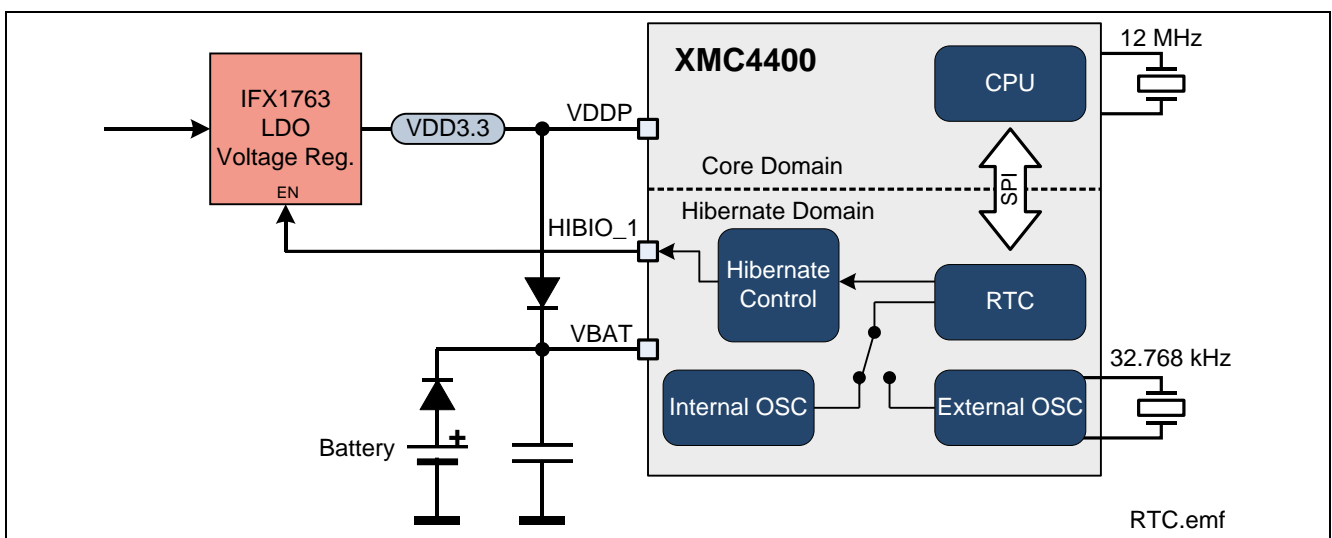


Figure 19 XMC4400 Power Domains and Real Time Clock

2.9 User LEDs and User Buttons

The port pins P5.2 and P1.8 of the XMC4400 are connected to the LEDs V300 and V301 respectively. More User LED's are available through the I2C GPIO expander on most of the satellite cards.

Table 8 User LEDs

LED	Connected to Port Pin
V300	GPIO P5.2
V301	GPIO P1.8

Two User Buttons, SW301 and SW302 are connected to P0.10 and HIB_IO_0 of XMC4400.

Table 9 User Buttons

Button	Connected to Port Pin
BUTTON1 / SW301	HIB_IO_0
BUTTON2 / SW302	P0.10

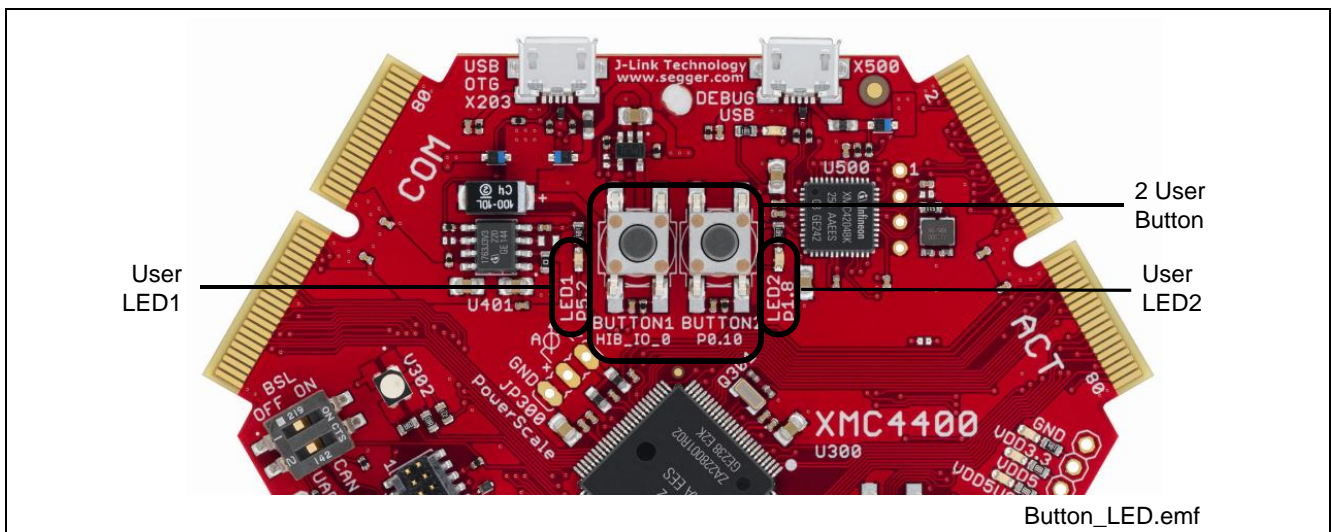


Figure 20 User LEDs and User Buttons

2.10 Potentiometer

The CPU_44A-V2 board provides a potentiometer POT1 for ease of use and testing of the on-chip analog to digital converter. The potentiometer is connected to the analog input G0_CH1 (P14.1). The analog output of the potentiometer ranges from 0 V to 3.3 V.

Table 10 Potentiometer

Potentiometer	Connected to Port Pin
R300	P14.1 / G0_CH1 (Group 0, channel 1)

2.11 Satellite Connectors

The CPU_44A-V2 board provides three satellite connectors for application extension by satellite cards:

- COM satellite connector (Communication)
- HMI satellite connector (Human Machine Interface)
- ACT satellite connector (Actuator)

Note: Satellite cards shall be connected to their matching satellite connectors only. (For e.g. COM satellite cards shall be connected to COM satellite connector only)

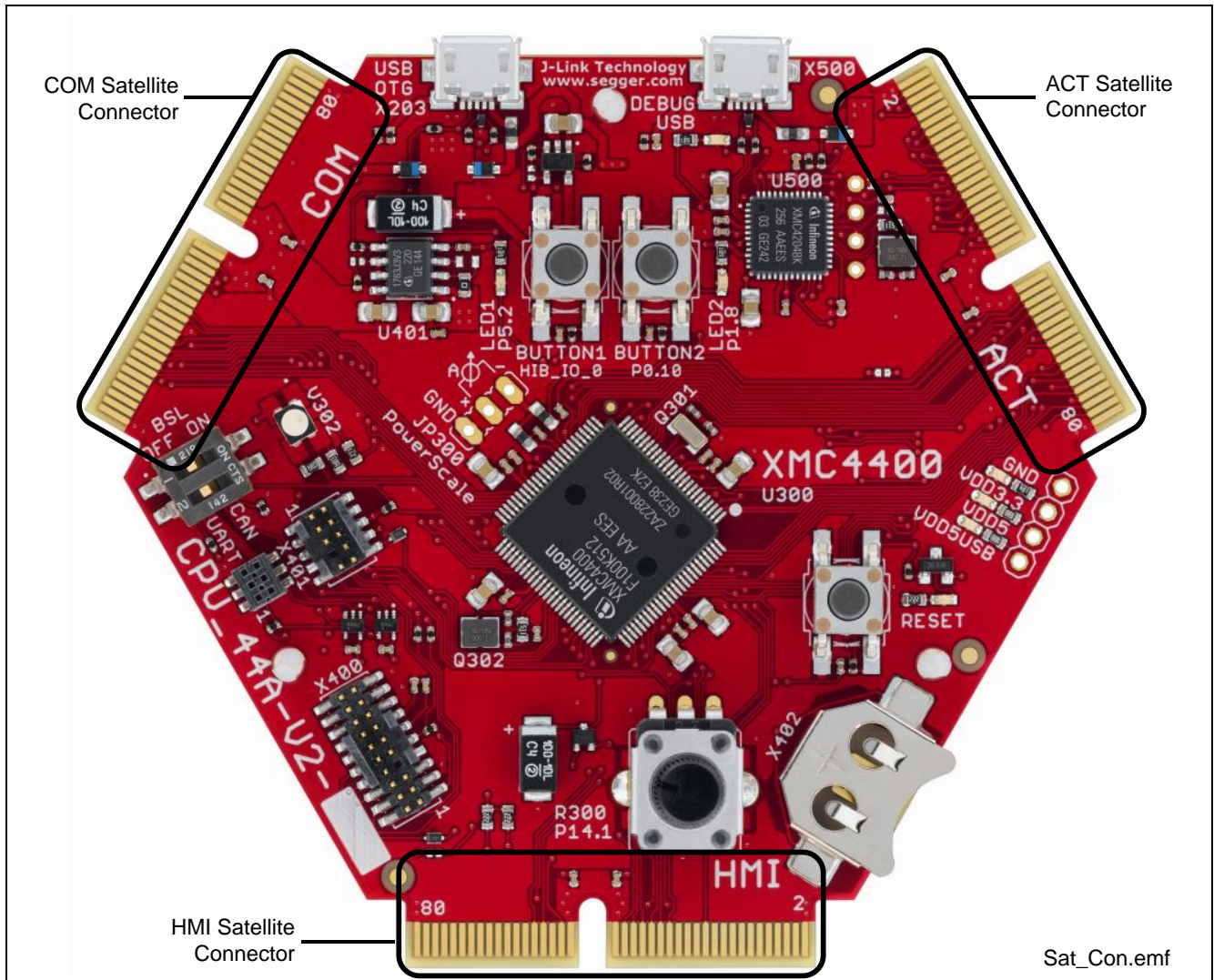


Figure 21 Satellite Connectors

2.11.1 COM Connector

The COM satellite connector on the CPU_44A-V2 board allows interface expansion through COM satellite cards (e.g. COM_ETH-V1)

CPU_44A-V2		Satellite Connector		CPU_44A-V2	
XMC Pin	XMC Function	Pin	Function	XMC Pin	XMC Function
		COM			
		1	GND		
		2	GND		
		3	qSPI_SCLK		
		4	qSPI_D0		
		5	qSPI_CS		
		6	qSPI_D1		
		7	qSPI_D2		
		8	qSPI_CS		
		9	RSVD		
		10	qSPI_D3		
		11	RSVD		
		12	RSVD		
		13	ETH_RMII		
P2.3	ETHO_RXD1A	14	ETH_RMII		
P2.2	ETHO_RXD0A	15	ETH_RMII		
P2.0	ETHO_MDO	16	ETH_RMII		
P2.7	ETHO_MDC	17	ETH_RMII		
P2.5	ETHO_TX_EN	18	ETH_RMII		
		19	ETH_RMII		
		20	ETH_RMII		
		21	ETH_RMII		
		22	ETH_RMII		
		23	ETH_RMII		
		24	GND		
		25	RSVD		
		26	RSVD		
		27	CAN_TXD		
P1.5	U0CO_DX0A	28	CAN_TXD		
P1.7	U0CO_DOUT0	29	CAN_RXD		
		30	CAN_RXD		
		31	SPI_CS0		
		32	SPI_CS0		
		33	SPI_CS1		
		34	SPI_CS2		
		35	SPI_CS2		
		36	SPI_SCLK		
		37	I2C_SDA		
P2.14	U1CO_DX0B/DOUT0	38	I2C_SCL		
		39	GPIO		
		40	GPIO		
		41	RESET		
		42	RESET		
		43	VDD5		
		44	VDD5		
		COM			
		45	VDD5		
		46	VDD5		
		47	EBU_ADV		
		48	EBU_AD		
		49	EBU_WR		
		50	EBU_AD		
		51	EBU_AD		
		52	EBU_AD		
		53	EBU_AD		
		54	EBU_BC		
		55	EBU_AD		
		56	EBU_AD		
		57	EBU_CS		
		58	EBU_AD		
		59	EBU_CS		
		60	EBU_AD		
		61	GND		
VSS		62	EBU_AD		
		63	EBU_A		
		64	EBU_AD		
		65	EBU_A		
		66	EBU_A		
		67	EBU_A		
		68	EBU_A		
		69	EBU_A		
		70	EBU_A		
		71	EBU_A		
		72	EBU_A		
		73	EBU_A		
		74	EBU_A		
		75	EBU_A		
		76	EBU_A		
		77	EBU_A		
		78	EBU_A		
		79	GND		
VSS		80	GND		
		COM			
		81	GND		
		82	GND		
		83	VSS		

Figure 22 Satellite Connector Type COM

2.11.2 HMI Connector

The HMI satellite connector on the CPU_44A-V2 board allows interface expansion through HMI satellite cards.

CPU_44A-V2		Satellite Connector		CPU_44A-V2	
XMC Pin	XMC Function	Pin	Function	XMC Pin	XMC Function
VSS	GND	HMI 1	GND	VSS	VSS
nc	nc	2	MMC_CLK	nc	nc
nc	nc	3	MMC_rRST	nc	nc
nc	nc	4	MMC_DATA0	nc	nc
nc	nc	5	MMC_DATA1	nc	nc
nc	nc	6	MMC_DATA2	nc	nc
nc	nc	7	MMC_DATA3	nc	nc
nc	nc	8	MMC_DATA4	nc	nc
nc	nc	9	MMC_DATA5	nc	nc
nc	nc	10	MMC_DATA6	nc	nc
nc	nc	11	MMC_DATA7	nc	nc
nc	nc	12	MMC_CMD	nc	nc
nc	nc	13	MMC_BUSPOW	nc	nc
nc	nc	14	MMC_nSDCD	nc	nc
nc	nc	15	MMC_LED	nc	nc
nc	nc	16	MMC_SDWC	nc	nc
nc	nc	17	RSVD	nc	nc
nc	nc	18	RSVD	nc	nc
nc	nc	19	RSVD	nc	nc
nc	nc	20	RSVD	nc	nc
nc	nc	21	RSVD	nc	nc
nc	nc	22	RSVD	nc	nc
nc	nc	23	AudioRST	P0.12/OLED_RS	P0.12/OLED_RS
nc	nc	24	OLED_CMD	nc	nc
nc	nc	25	I2S_WA	I2S_MTSR	nc
nc	nc	26	I2S_MCLK	I2S_MTSR	nc
nc	nc	27	I2S_SYNCCLK	I2S_MRST	nc
nc	nc	28	I2S_SYNCCLK	I2S_SCLK	nc
P1.13	U0C1_SEL03	29	SPI_CSH0	SPI_MTSR	U0C1_DOUT0 P3.5
nc	nc	30	SPI_CSH1	SPI_MTSR	U0C1_DX0E P4.0
nc	nc	31	SPI_CSH2	SPI_SCLK	U0C1_SCLKOUT P3.6
nc	nc	32	I2C_SDA	I2C_SCL	U1CO_SCLKOUT P0.11
P2.14	U1CO_DX0D/DOUT0	33	HMI_GPI01	GPIO	P0.6
nc	nc	34	HMI_GPI00	RESET	RESET#
nc	nc	35	VDD5	VDD5	PORST
VAGND	AGND	HMI 45	VDD5	VDD5	VAREF
nc	nc	46	AGND	AREF	VAREF
nc	nc	47	DAC0/ADC1	DAC1/ADCO	nc
nc	nc	48	ADC3/ORCO	ADC2/DACREF	nc
P14.12	VADC_G1CH4	49	ADC15	ADC14	VADC_G0CH4 P14.4
nc	nc	50	ADC17	ADC16	VADC_G0CH3 P14.3
nc	nc	51	ADC19	ADC18	nc
nc	nc	52	RSVD	RSVD	nc
nc	nc	53	RSVD	RSVD	nc
nc	nc	54	RSVD	RSVD	nc
nc	nc	55	TPx1	TP7	nc
nc	nc	56	TPx0	TP6	nc
nc	nc	57	COL3	TP5	nc
nc	nc	58	COL2	TP4	nc
nc	nc	59	COL1	TP3	nc
nc	nc	60	COLA	TP2	nc
nc	nc	61	GND	TP1	nc
VSS	GND	62	GND	TP0	nc
		63	GND		
		64	GND		
		65	GND		
		66	GND		
		67	GND		
		68	GND		
		69	GND		
		70	GND		
		71	GND		
		72	GND		
		73	GND		
		74	GND		
		75	GND		
		76	GND		
		77	GND		
		78	GND		
		79	GND		
		80	GND		
		HMI 79	GND		
		HMI 80	GND		
			GND		VSS

Figure 23 Satellite Connector Type HMI

2.11.3 ACT Satellite Connector

The ACT satellite connector on the CPU_44A-V2 board allows interface expansion through ACT satellite cards.

CPU_44A-V2		Satellite Connector		CPU_44A-V2	
XMC Pin	XMC Function	Function	Pin	Function	XMC Pin
VSS	GND	GND	1	GND	VSS
nc	nc	PIF0IN0	2	GND	P14.7
nc	nc	PIF0IN1	3	PIF0IN1	P14.7
nc	nc	PIF0IN2	4	PIF0IN2	P14.6
nc	nc	PIF0IN3	5	PIF0IN3	P14.5
P5.0	PWMN	PWMN	6	nc	nc
P5.1	PWMP	PWMP	7	DSDIN0	nc
nc	nc	DSDCLK0	8	DSDIN1	P2.6
P1.9	DSD_MCLK0	DSDCLK1	9	DSDIN2	P1.6
nc	nc	RSVD	10	DSDIN3	P0.8(2)
nc	nc	CC_IN3	11	RSVD	nc
nc	nc	CC_IN4	12	CC_IN0	HRPWM_COINA
nc	nc	CC_IN5	13	CC_IN1	HRPWM_CIINA
P0.7 (L16)	CCU80_IN0A	TRAP_A	14	CC_IN2	HRPWM_C1INA
P1.3	CCU40_IN0A	TRAP_B	15	ENA_A	P1.15
P3.4	CCU42_IN2A	TRAP_X	16	ENA_B	P2.15
P1.14	U0C1_SELO2	U0C1_SELO0	17	ENA_X	P2.10
P4.1	U0C1_SELO0	SPI_CS_A1	18	SPI_MTSR	P3.5
nc	nc	SPI_CS_A2	19	SPI_MRST	P4.0
P2.14	U1C0_DX0C/DOU0	I2C_SDA	20	SPI_SCLK	P3.6
nc	nc	ACT_GPI01	21	I2C_SCL	P0.11
nc	nc	ACT_GPI00	22	GPIO	P0.6
nc	nc	VDD5	23	RESET	PORST
VAGND	AGND	VDD5	24	VDD5	VAREF
P14.9	VADC_G1CH1	AGND	25	VDD5	VAREF
nc	nc	DAC0/ADC1	26	AREF	VADC_G1CH0
P14.0	VADC_G0CH0(4)	ADC3/ORC0	27	DAC1/ADC0	P14.8
P14.14	VADC_G1CH6	ADC5/ORC2	28	ADC2/DACREF	P14.4
P15.3	VADC_G2CH3	ADC7	29	ADC4/ORC1	nc
P14.13	VADC_G1CH5	ADC9	30	ADC6/ORC3	P14.15
nc	nc	ADC11	31	ADC8	P14.2
nc	nc	ADC13	32	ADC10	P15.2
nc	nc	PWMB0_H	33	ADC12	nc
nc	nc	PWMB0_L	34	PWMA0_H	CCU80_OUT00
nc	nc	PWMB1_H	35	PWMA0_L	P0.5(6)
nc	nc	PWMB1_L	36	PWMA1_H	P0.2(6)
nc	nc	PWMB2_H	37	PWMA1_L	P0.4(6)
nc	nc	PWMB2_L	38	PWMA2_H	P0.1
nc	nc	PWMB3	39	PWMA2_L	CCU80_OUT20
nc	nc	GND	40	PWMA3	CCU80_OUT10
VSS	GND	GND	41	PWMA3	P0.3(6)
			42	PWMA2	P0.0
			43	PWMA2	CCU42_OUT3
			44	PWMA3	CCU42_OUT0
			45	PWMA3	P3.0
			46	PWMA3	P3.0
			47	PWMA3	P3.0
			48	PWMA3	VSS
			49	PWMA3	
			50	PWMA3	
			51	PWMA3	
			52	PWMA3	
			53	PWMA3	
			54	PWMA3	
			55	PWMA3	
			56	PWMA3	
			57	PWMA3	
			58	PWMA3	
			59	PWMA3	
			60	PWMA3	
			61	PWMA3	
			62	PWMA3	
			63	PWMA3	
			64	PWMA3	
			65	PWMA3	
			66	PWMA3	
			67	PWMA3	
			68	PWMA3	
			69	PWMA3	
			70	PWMA3	
			71	PWMA3	
			72	PWMA3	
			73	PWMA3	
			74	PWMA3	
			75	PWMA3	
			76	PWMA3	
			77	PWMA3	
			78	PWMA3	
			79	PWMA3	
			80	PWMA3	

Figure 24 Satellite Connector Type ACT

- (1) P0.7 can also be used for JTAG Debugging (TDI)
- (2) P0.8 is used as TRST in order to enable JTAG Debug
- (3) This pin is connected with the satellite connector via an analog switch
- (4) This ADC input does not support "Out of Range Detection"
- (5) This pin must be "enabled" by a solder jump.
- (6) Support High Resolution PWM

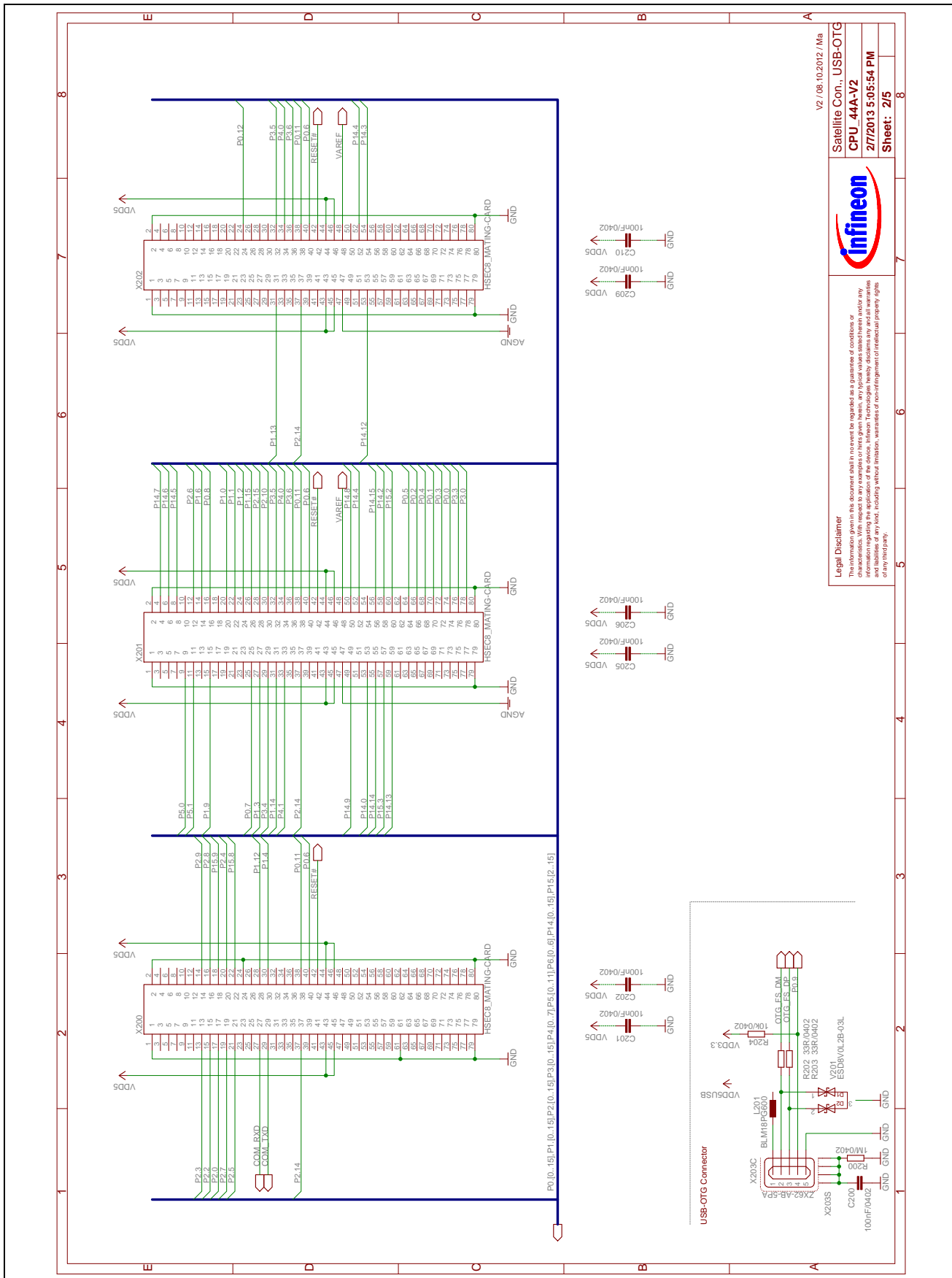
3 Production Data

3.1 Schematics

This chapter contains the schematics for the CPU board:

- Satellite Connectors, USB-OTG
- XMC4400
- Power, Debug Connectors, Reset
- On-board Debugger

The board has been designed with Eagle. The full PCB design data of this board can also be downloaded from www.infineon.com/xmc-dev.



Legal Disclaimer

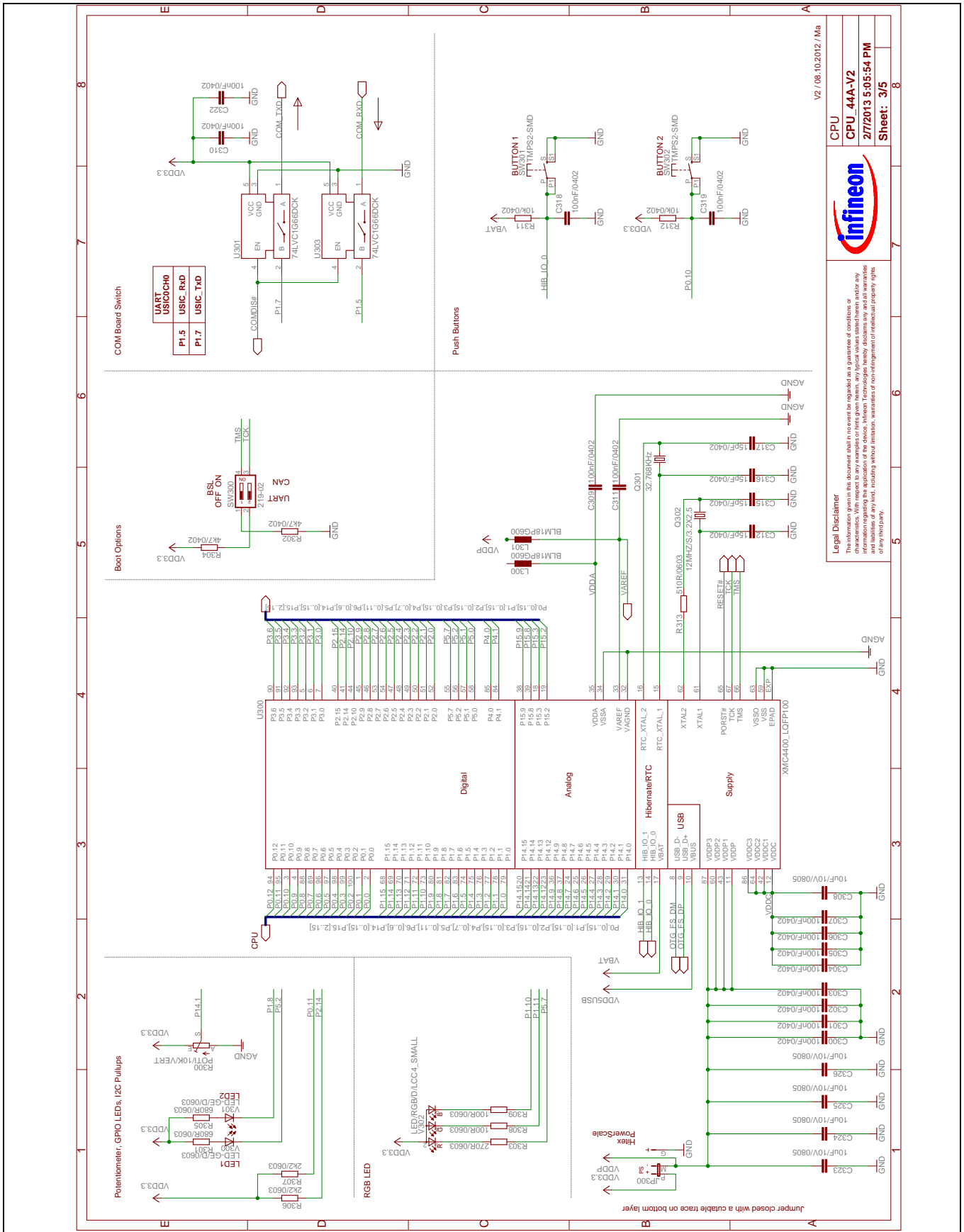
The information given in this document shall in no event be regarded as a guarantee of conditions or characteristics. With respect to any examples or third party names, any typical values stated herein and/or any other information, Infineon does not assume any liability, including without limitation, warranties of non-infringement of intellectual property rights of any third party.

Infineon

Satellite Con., USB-OTG
CPU_44A-V2
2/7/2013 5:05:54 PM
Sheet: 2/5

V2 / 08.10.2012 / Ma

Figure 25 Satellite Connectors, USB-OTG



V2.08.10.2012 / Mb

Legal Disclaimer
The information given in this document shall in no event be regarded as a guarantee of conditions or characteristics. We request to any customer or user to check the actual conditions and characteristics of any device, including without limitation, warranties of non-infringement of intellectual property rights, of any therapy.

Infineon

CPU
CPU_44A-V2
2/17/2013 5:05:54 PM
Sheet: 3/5

Figure 26 XMC4400

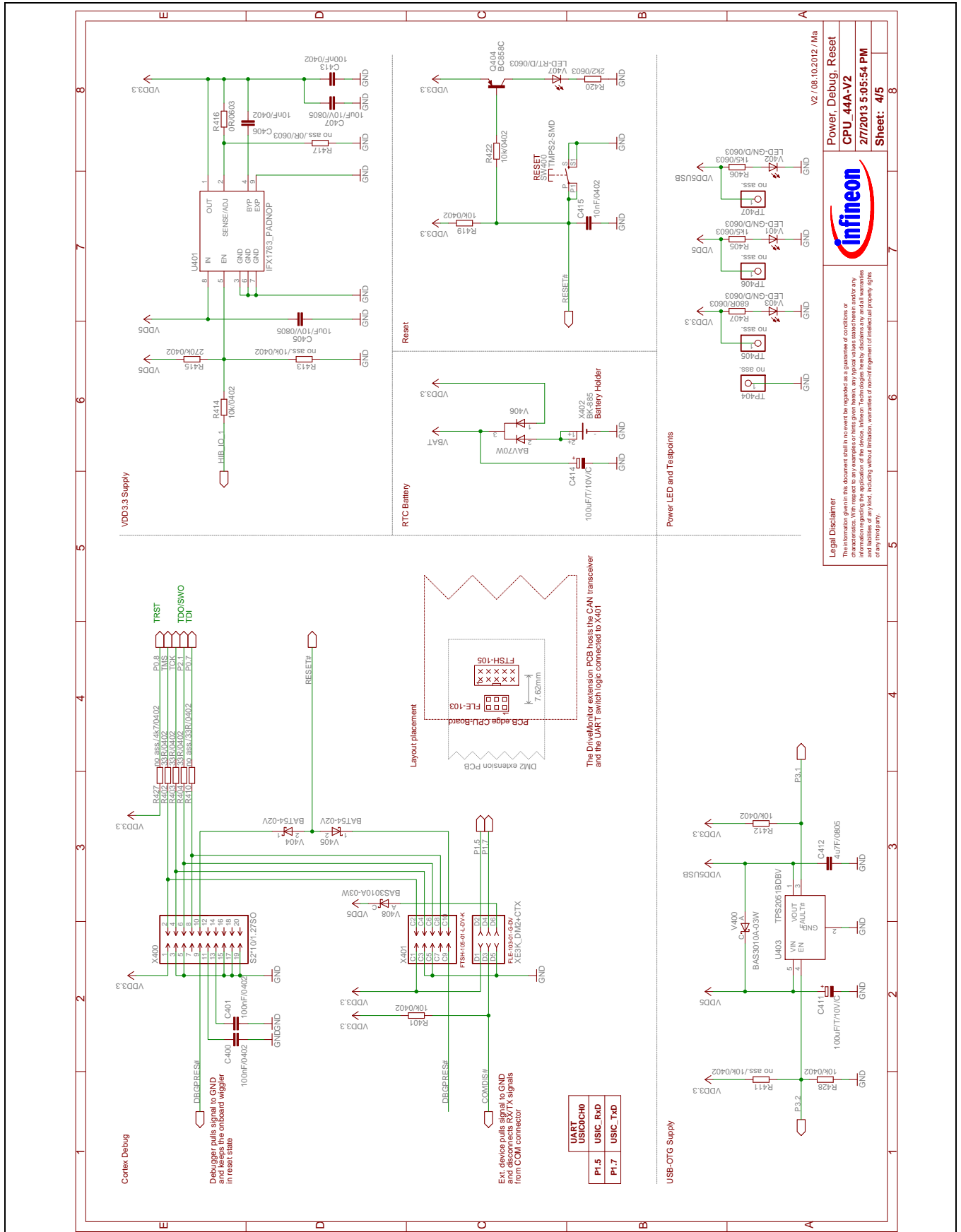


Figure 27 Power, Debug Connectors, Reset

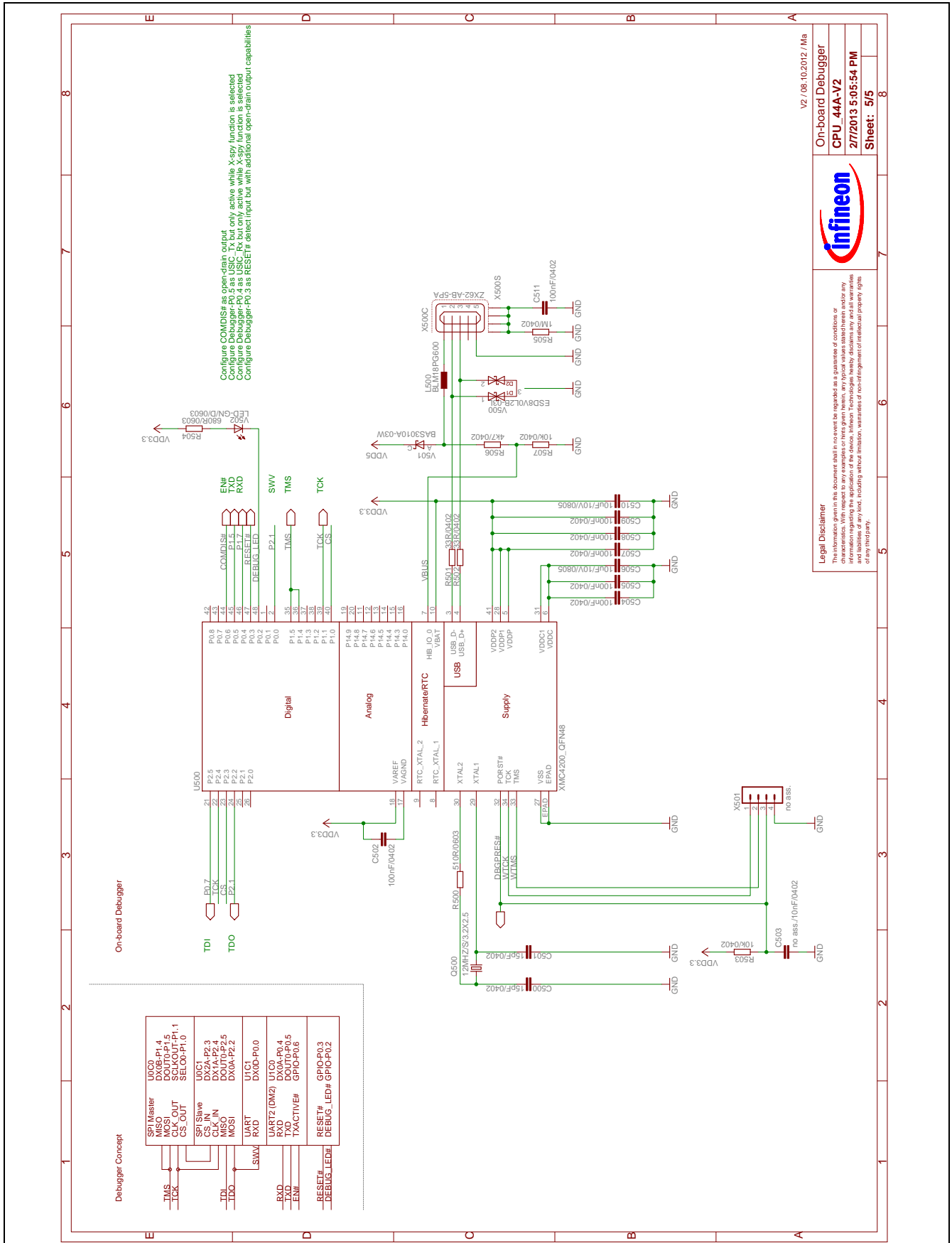


Figure 28 On-board Debugger

3.2 Component Placement and Geometry

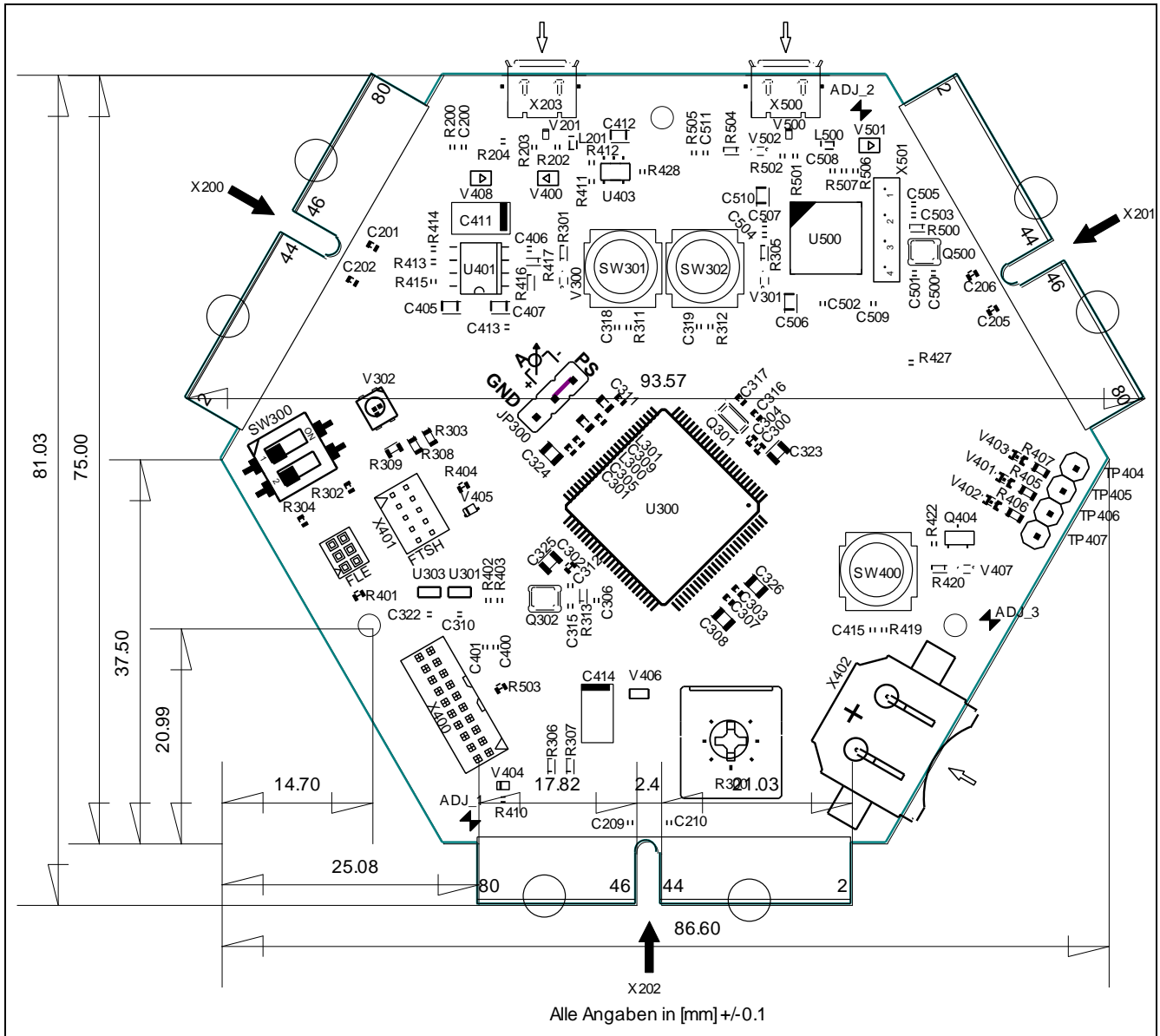


Figure 29 Component Placement and Geometry

3.3 Bill of Material (BOM)

Table 11 BOM of CPU_44A-V2 Board

Pos. No.	Qty	Value	Device	Reference Des.
1	1	0R/0603	Resistor	R416
2	2	1M/0402	Resistor	R200, R505
3	2	1k5/0603	Resistor	R405, R406
4	3	2k2/0603	Resistor	R306, R307, R420
5	3	4k7/0402	Resistor	R302, R304, R506
6	1	4u7F/0805	Capacitor, ceramic	C412
7	11	10k/0402	Resistor	R204, R311, R312, R401, R412, R414, R419, R422, R428, R503, R507
8	2	10nF/0402	Capacitor	C406, C415
9	9	10uF/10V/0805	Capacitor, ceramic	C308, C323, C324, C325, C326, C405, C407, C506, C510
10	2	12MHZ/S/3.2X2.5	Crystal, NX3225GD, NDK	Q302, Q500
11	6	15pF/0402	Capacitor	C312, C315, C316, C317, C500, C501
12	1	32.768KHz	Crystal, NX3215SA, NDK	Q301
13	5	33R/0402	Resistor	R402, R403, R404, R501, R502
14	2	33R/0402	Resistor	R202, R203
15	2	74LVC1G66DCK	IC, Single Analog Switch	U301, U303
16	2	100R/0603	Resistor	R308, R309
17	31	100nF/0402	Capacitor	C200, C201, C202, C205, C206, C209, C210, C300, C301, C302, C303, C304, C305, C306, C307, C309, C310, C311, C318, C319, C322, C400, C401, C413, C502, C504, C505, C507, C508, C509, C511
18	2	100uF/T/10V/C	Capacitor, bipolar	C411, C414
19	1	219-02	Dual DIP-Switch, 0.1" SMD	SW300
20	1	270R/0603	Resistor	R303
21	1	270k/0402	Resistor	R415
22	2	510R/0603	Resistor	R313, R500
23	4	680R/0603	Resistor	R301, R305, R407, R504
24	3	BAS3010A-03W	Diode, SOD323, Infineon	V400, V408, V501
25	2	BAT54-02V	Diode, SC79, Infineon	V404, V405
26	1	BAV70W	Diode, SOT323, Infineon	V406
27	1	BC858C	Transistor, SOT23-3, Infineon	Q404
28	1	BK-885	Battery Holder, 12mm Coin Cell	X402
29	4	BLM18PG600	Ferrite Bead, 0603, Murata	L201, L300, L301, L500
30	2	ESD8V0L2B-03L	Diode, TSLP-3-1, Infineon	V201, V500
31	3	FIDUCIAL	FIDUCIAL	ADJ_1, ADJ_2, ADJ_3
32	3	HSEC8_MATING-CARD	Connector, Edgecard, Samtec	X200, X201, X202
33	1	IFX1763-3.3	Voltage Regulator, 3.3V LDO, Infineon	U401
34	2	LED-GE/D/0603	LED, yellow	V300, V301
35	4	LED-GN/D/0603	LED, green	V401, V402, V403, V502
36	1	LED-RT/D/0603	LED, red	V407
37	1	LED/RGB/D/LCC4_SMALL	LED, RGB, LCC4_SMALL	V302
38	1	POTI/10K/VERT	Potentiometer, K09K1130A8G, ALPS	R300
39	1	S2*10/1.27SO	Connector, FTSH-110-01-L-DV-K-P, Samtec	X400

Table 11 BOM of CPU_44A-V2 Board

Pos. No.	Qty	Value	Device	Reference Des.
40	3	TMPS2-SMD	Switch, tactile	SW301, SW302, SW400
41	1	TPS2051BDBV	IC, Power Switch	U403
42	1	XE3K_DM2+CTX	Connector, FTSH-105-01-LM-DV-K, without pin 7, Samtec Connector, FLE-103-01-G-DV, Samtec	X401
43	1	XMC4200_QFN48	IC, XMC4200, QFN48, Infineon	U500
44	1	XMC4400_LQFP100	IC, XMC4400, LQFP100, Infineon	U300
45	2	ZX62-AB-5PA	Connector, Micro-USB, Hirose	X203, X500
46	1	no ass.	Pinheader, 4-pin, 0.1" TH	X501
47	4	no ass.	Pinheader, 1-pin, 0.1" TH	TP404, TP405, TP406, TP407
48	1	no ass./0R/0603	Resistor	R417
49	1	no ass./4k7/0402	Resistor	R427
50	2	no ass./10k/0402	Resistor	R411, R413
51	1	no ass./10nF/0402	Capacitor	C503
52	1	no ass./33R/0402	Resistor	R410
53	1	no ass.	Pinheader, 3-pin, 0.1" TH, Hitex PowerScale	JP300