



COAXIAL

Adapter

KM-24F+

50Ω DC to 40 GHz 2.4 mm-Female to 2.92 mm-Male

THE BIG DEAL

- Ultra-Wideband, DC to 40 GHz
- Low Insertion Loss, 0.15 dB Typ.
- Excellent VSWR, 1.05:1 Typ.
- Flat response



Generic photo used for illustration purposes only

APPLICATIONS

- Interconnection of RF cable and equipment

Model No.	KM-24F+
Case Style	DJ2383
Connectors	2.4 mm Female to 2.92 mm Male

+RoHS Compliant
 The +Suffix identifies RoHS Compliance.
 See our website for methodologies and qualifications

PRODUCT OVERVIEW

Mini-Circuits' KM-24F+ is a coaxial 2.4 mm-F to 2.92 mm-M adapter supporting a wide range of applications from DC to 40 GHz. This model provides excellent VSWR, low insertion loss, and flat response versus frequency. The KM-24F+ features passivated stainless steel construction and measures only 0.85" (l) x 0.36" (dia.).

KEY FEATURES

Features	Advantages
Wideband, DC to 40 GHz	Wide frequency range provides application flexibility and makes this model ideal for broadband and multi-band use
Excellent VSWR, 1.05:1 Typ.	Provides good matching for 50Ω systems and minimizes signal reflections across wide frequency range.
Low Insertion Loss, 0.15 dB Typ.	Provides excellent signal power transmission from input to output.
Passivated stainless steel construction.	Stands up to wear and tear in demanding environments and provides excellent reliability.
Very wide operating temperature range, -55 to +100 °C	Withstands extreme operating conditions and is suitable for use near high power components where heat rise is common.





COAXIAL

Adapter

KM-24F+

50Ω DC to 40 GHz 2.4 mm-Female to 2.92 mm-Male

ELECTRICAL SPECIFICATIONS AT 25°C

Parameter	Frequency (GHz)	Min.	Typ.	Max.	Units
Frequency Range	-	DC	-	40	GHz
Insertion Loss	DC - 5	-	0.05	-	dB
	5 - 10	-	0.12	-	
	10 - 20	-	0.15	-	
	20 - 40	-	0.16	0.6	
VSWR	DC - 5	-	1.03	1.15	:1
	5 - 10	-	1.03	1.15	
	10 - 20	-	1.05	1.15	
	20 - 40	-	1.09	1.15	

ABSOLUTE MAXIMUM RATINGS

Parameter	Ratings
Operating Temperature	-55°C to 100°C
Storage Temperature	-55°C to 100°C

Permanent damage may occur if any of these limits are exceeded.



COAXIAL

Adapter

KM-24F+

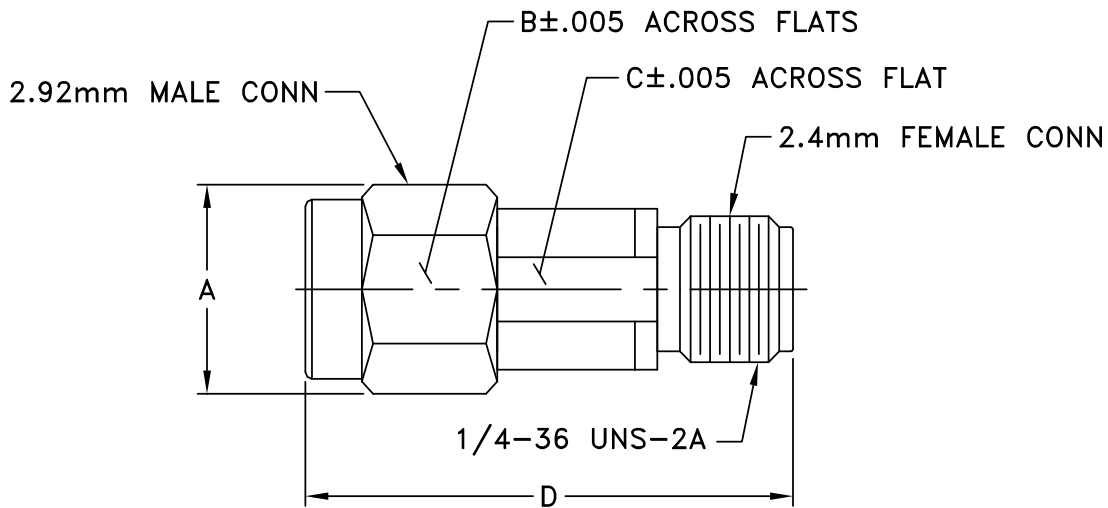
Mini-Circuits

50Ω DC to 40 GHz 2.4 mm-Female to 2.92 mm-Male

COAXIAL CONNECTIONS

Connector 1	2.4 mm Female
Connector 2	2.92 mm Male

OUTLINE DRAWING



OUTLINE DIMENSIONS (Inches/mm)

A	B	C	D	E	wt
0.36	0.312	0.236	0.850	--	grams
9.14	7.93	5.99	21.59	--	3.8