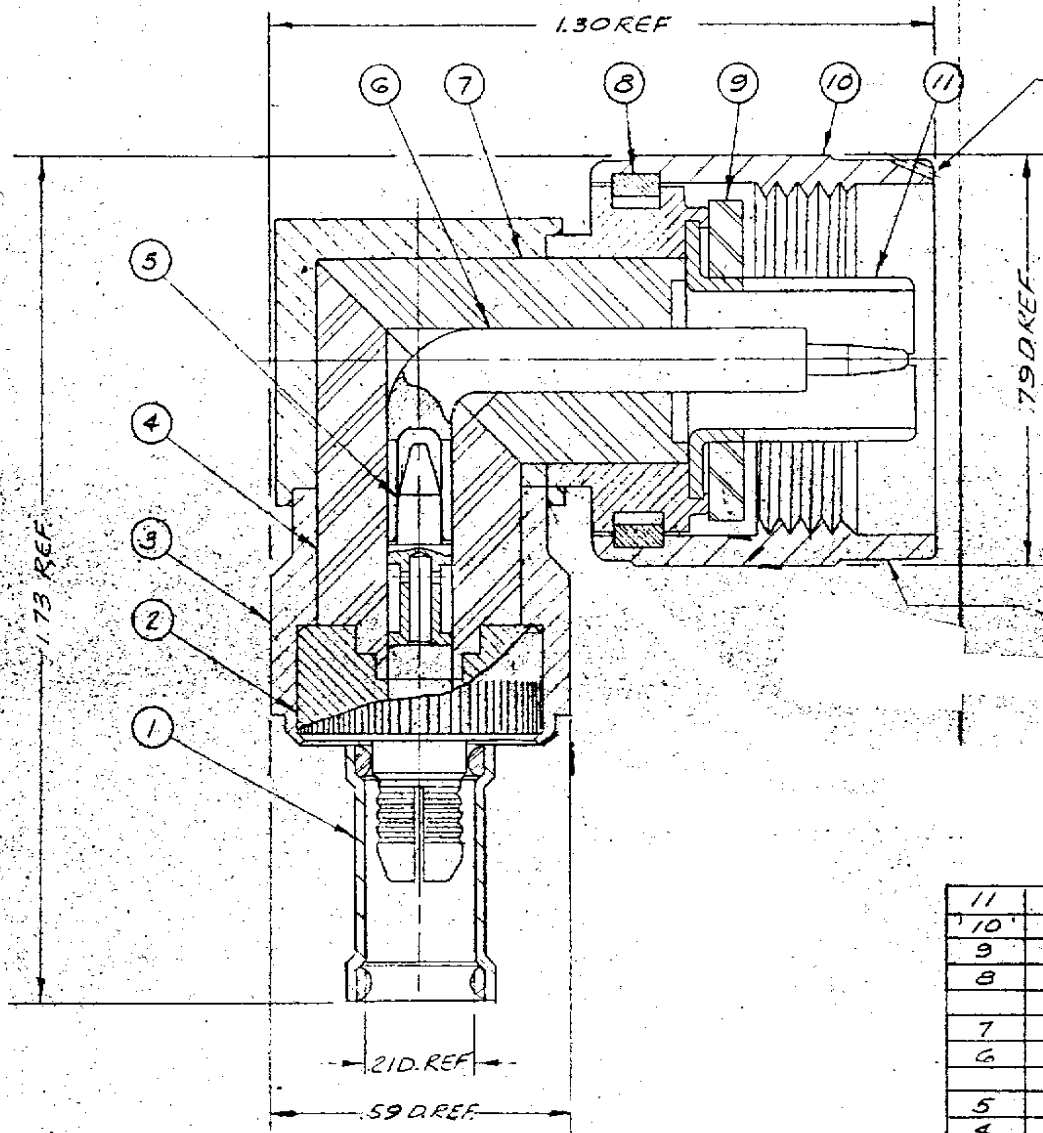


.12 #

KN-59-158

REVISIONS

ISSUE	CHANGES
0	ER 9249 WLA 22 JAN 71
3	CN 29365 D EAT 5 NOV 81



NOTES:

1. FOR USE WITH RG-58, 58A, 58C, 141 & 141A/U CABLE.
2. FOR CABLE TRIMMING USE KTJ-10 & KTD-51.
3. FOR FORMING USE CRIMP DIE SIZE G1.
4. FOR CABLING INSTRUCTIONS SEE CP-403.

STAMP: KINGS KN-59-158

NOTICE

THIS DOCUMENT CONTAINS PROPRIETARY INFORMATION. IT MAY NOT BE REPRODUCED WITHOUT WRITTEN AUTHORIZATION BY KINGS ELECTRONICS CO., INC.

ITEM	REQD	DESCRIPTION	DWG. NO.
11	1	CONTACT	
10	1	COUPLING NUT	
9	1	GASKET	
8	1	SPRING	
7	1	INSULATOR	
6	1	CONTACT	
5	1	CRIMP CONTACT	D-59-116-2-M07
4	1	INSULATOR	
3	1	BODY ASSEMBLY	
2	1	K-GRIP	
1	1	WPK-GRIP SLEEVE	C-59-197-2-M06

REP:	
FINISH	
SPEC.	
MATL.	
SPEC.	
TYPE N ANGLE PLUG	
DRAWN WLA	DATE 22 JAN 71
APPR. LI	DATE 22 JAN 71
KINGS ELECTRONICS 40 MARBLEDALE ROAD YUCCAHOE N. Y.	
KN-59-158	

UNLESS OTHERWISE SPECIFIED:

- | | |
|---|---|
| <ol style="list-style-type: none"> 1. TOLERANCES:
FRACTIONS ± .010 DECIMALS ± .004 ANGLES ± 0° 30' 2. REMOVE ALL BURRS. BREAK SHARP EDGES .003 MAX. | <ol style="list-style-type: none"> 3. NO FILLETS PERMITTED. 4. SURFACE ROUGHNESS 63 MICROINCHES RMS MAX. 5. ALL DIMENSIONS PRIOR TO PLATING. |
|---|---|

DEF TGM 195M Approval Tracing Volume 8015

S-D