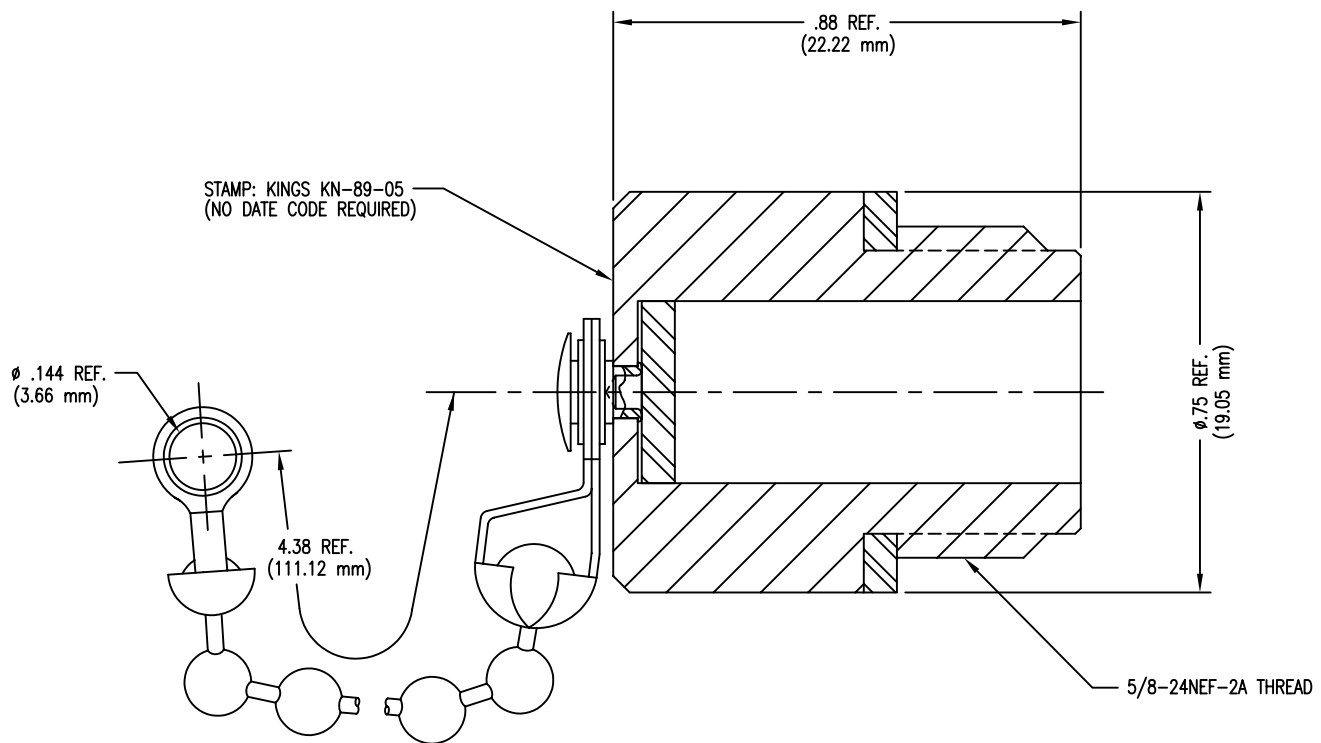


DASH NO.	M CODE	MADE FROM
----------	--------	-----------



- NOTES:
- MATERIALS:
 ALL METAL PARTS—BRASS, ASTM-B16
 GASKET—SILICONE RUBBER, A-A-59588
 DISC—SYNTHETIC RUBBER, ARMY SPEC 20-116 GRADE RS 415
 - FINISHES:
 CAP—SILVER PLATE PER ASTM-B700
 RIVET—SILVER PLATE PER ASTM-B700
 BEAD CHAIN—NICKEL PLATE PER SAE-AMS-QQ-N-290

UNLESS OTHERWISE SPECIFIED

- ALL DIMENSIONS IN INCHES [MILLIMETERS].
- TOLERANCES:
 .XXX ±.004 .XX ±.010
 [.XXX ±.10] [.XX ±.25]
 FRACTIONS: X/Y ±.010 [.25] ANGLES: ± 1°

★ CRITICAL DIMENSIONS

PART NO. KN-89-05	REVISIONS	
	ISSUE	CHANGES
	1	CN 22931 D GJG 01/14/82
	2	CN 37823 E REDRAWN TML 08/26/99
	3	CN 39383 E DRK 01/04/06
E	ER12951 DRK 12/18/08	

CUSTOMER SALES DRAWING

SCALE	4:1
APPROX SURFACE AREA	
USED ON	
REF:	MCDONNELL DOUGLAS, K52G0030-1

CAP & CHAIN, N

DRAWN	GINO	DATE	09/29/78
DESIGN		DATE	
APPR.	AT	DATE	09/29/78

 by WINCHESTER	Winchester Electronics 62 Burnes Industrial Road North Wallingford, CT 06492	B
		SIZE

SDKN-89-05