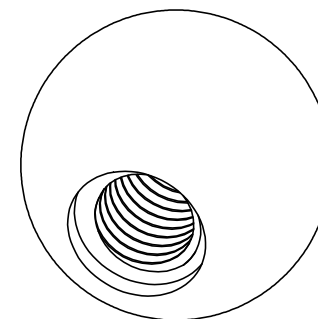
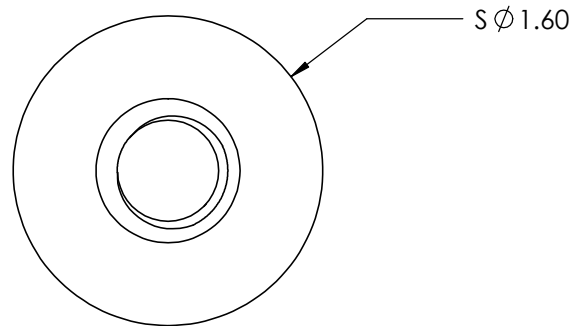
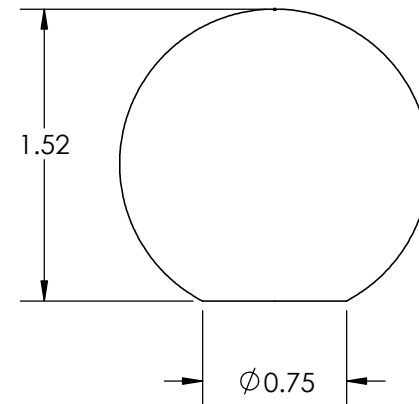
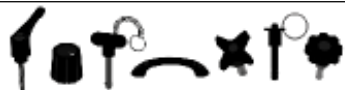


5/8-11 UNC-2B  
Min Thread Depth: 0.50  
Nylon Insert Locknut



Actual Size

|                            |   |     |          |              |          |   |   |   |  |
|----------------------------|---|-----|----------|--------------|----------|---|---|---|--|
| FOR CUSTOMER APPROVAL ONLY |   | REV | BY       | DATE         | COMMENT  | DIMENSIONS ARE IN INCHES<br>TOLERANCES<br>FRACTIONAL ±<br>TWO PLACE DECIMAL ± 0.03<br>THREE PLACE DECIMAL ± 0.010<br>UNLESS OTHERWISE NOTED | DRAWN   | JBA   | <br>INNOVATIVE COMPONENTS<br>PART NAME<br>1.63" Ball Knob, 5/8-11 W/ Locking,<br>Steel, Zinc Insert<br>PART NUMBER<br>KN1C----B5-L-21<br>DRAWING NUMBER<br>B5<br>SCALE 1:1 |
| NAME:                      | 0   | JBA | 03/13/13 | RELEASE DATE | APPROVED |   | LQR   |   |  |
| TITLE:                     |   |     |          |              | DATE     |   | 03/13/2013  |   |  |
| DATE:                      | <b>PROPRIETARY AND CONFIDENTIAL</b><br>THE INFORMATION CONTAINED IN THIS DRAWING IS THE SOLE PROPERTY OF INNOVATIVE COMPONENTS. ANY REPRODUCTION IN PART OR AS A WHOLE WITHOUT THE WRITTEN PERMISSION OF INNOVATIVE COMPONENTS IS PROHIBITED. |     |          |              |          |   | COMMENTS  |   |  |
| SIGNATURE:                 |   |     |          |              |          |   | KNOB MATERIAL<br>Polypropylene, Black<br>KNOB FINISH<br>Textured<br>INSERT PART NUMBER<br>SN1CNE-----21 | INSERT MATERIAL<br>Steel<br>INSERT FINISH<br>Zinc |  |



PLASTIC KNOBS / CONTROL KNOBS / HANDLES / QUICK RELEASE PINS & BALL LOCK PINS  
SPRING LOADED PINS & PLUNGERS / WIRE ROPE LANYARDS / THREAD IDENTIFIERS