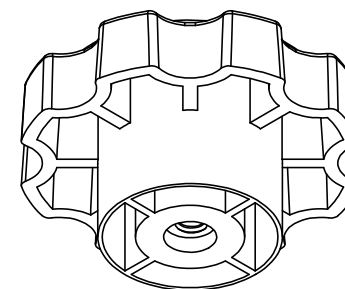
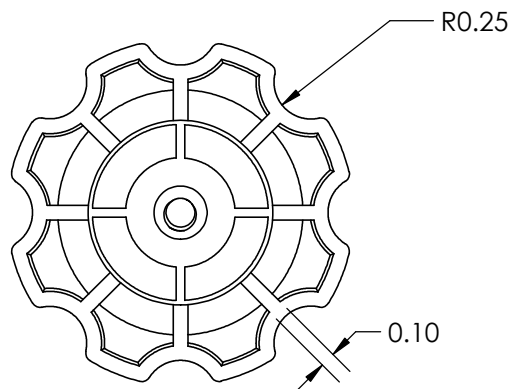
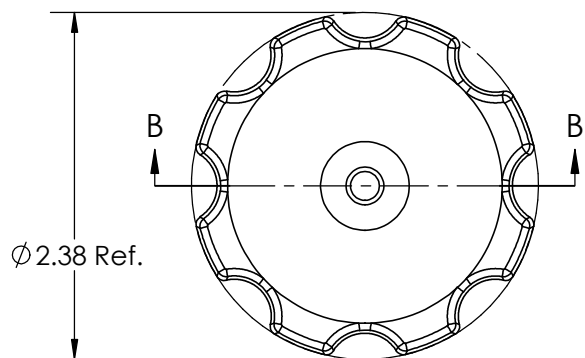
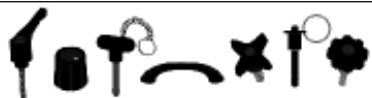


SECTION B-B
SCALE 1 : 1.3



FOR CUSTOMER APPROVAL ONLY		REV	BY	DATE	COMMENT	DIMENSIONS ARE IN INCHES TOLERANCES FRACTIONAL ± TWO PLACE DECIMAL ± 0.03 THREE PLACE DECIMAL ± 0.010 UNLESS OTHERWISE NOTED	DRAWN	VRR	INNOVATIVE COMPONENTS PART NAME 2 3/8" Fluted Knob 1/4-20 Steel, Zinc Locking		
NAME:	0	MT	10/05/00	RELEASE DATE			APPROVED	LQR		DATE	05/11/2017
TITLE:	1	MT	04/21/17	Changed the SolidWorks Format			COMMENTS			Material Usage 0.0493 Pounds	
DATE:	PROPRIETARY AND CONFIDENTIAL THE INFORMATION CONTAINED IN THIS DRAWING IS THE SOLE PROPERTY OF INNOVATIVE COMPONENTS. ANY REPRODUCTION IN PART OR AS A WHOLE WITHOUT THE WRITTEN PERMISSION OF INNOVATIVE COMPONENTS IS PROHIBITED.						MATERIAL	Polypropylene, Black		RoHS Compliant	
SIGNATURE:							FINISH	Textured		INSERT MATERIAL	Steel
		INSERT	SN4CNE-----2R		INSERT MATERIAL	Steel		INSERT FINISH	Trivalent Zinc		
								PART NUMBER	KN4C----F6-L-21	DRAWING NUMBER	05-12-17 R0
								SCALE :		SHEET 1 OF 1	



PLASTIC KNOBS / CONTROL KNOBS / HANDLES / QUICK RELEASE PINS & BALL LOCK PINS
 SPRING LOADED PINS & PLUNGERS / WIRE ROPE LANYARDS / THREAD IDENTIFIERS