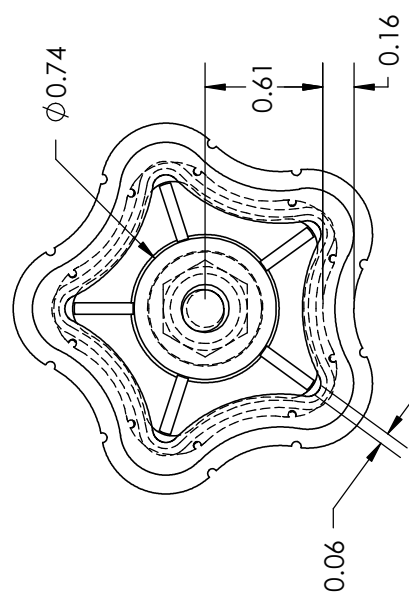
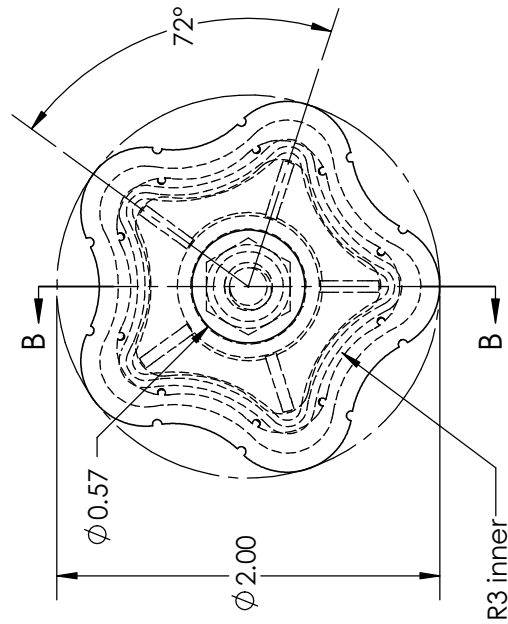
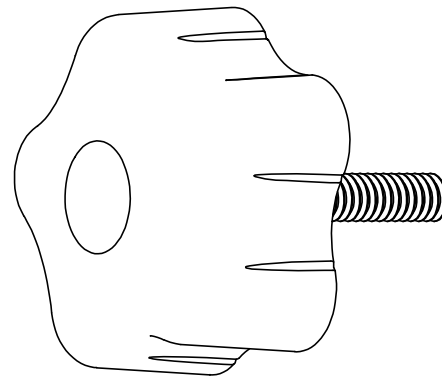
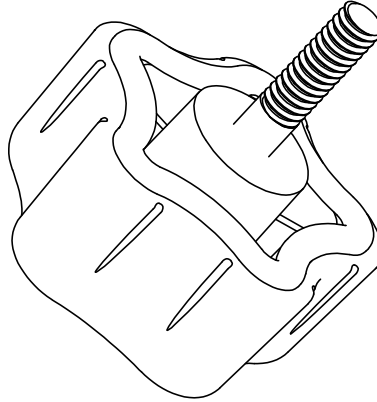


SECTION B-B



REV	BY	DATE	COMMENT	DIMENSIONS ARE IN INCHES TOLERANCES FRACTIONAL ± TWO PLACE DECIMAL ± 0.03 THREE PLACE DECIMAL ± 0.010 UNLESS OTHERWISE NOTED	DRAWN	MXO
0	MXO	07/10/07	RELEASE DATE		APPROVED	MXO
1	MXO	10/05/07	Changed hub height from 0.25 to 0.18		DATE	07/10/07
					COMMENTS	MIN. TORQUE N/A in.-lbs.
				MATERIAL	PP inner core TPE-48 Shore A outer skin	
				INSERT	Steel	
				FINISH	Zinc	
<p>PROPRIETARY AND CONFIDENTIAL THE INFORMATION CONTAINED IN THIS DRAWING IS THE SOLE PROPERTY OF INNOVATIVE COMPONENTS. ANY REPRODUCTION IN PART OR AS A WHOLE WITHOUT THE WRITTEN PERMISSION OF INNOVATIVE COMPONENTS IS PROHIBITED.</p>				<p>INNOVATIVE COMPONENTS PART NAME 1.89" Soft Touch Ergo Star knob 1/4-20 x 1" stud</p>		
				PART NUMBER	KN4C1000R5--S21	DRAWING NUMBER R5
				SCALE	1:1	SHEET 1 OF 1