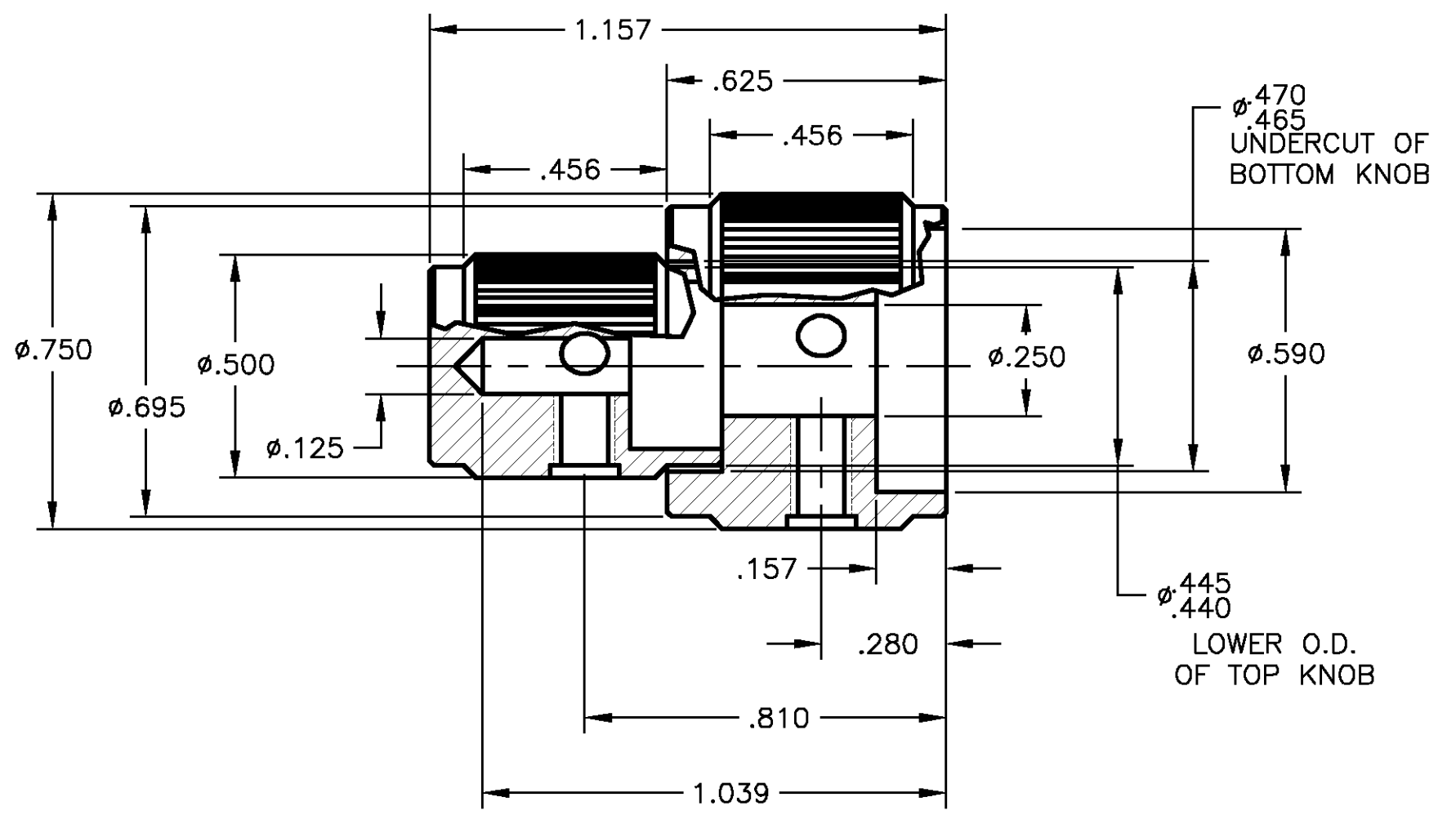
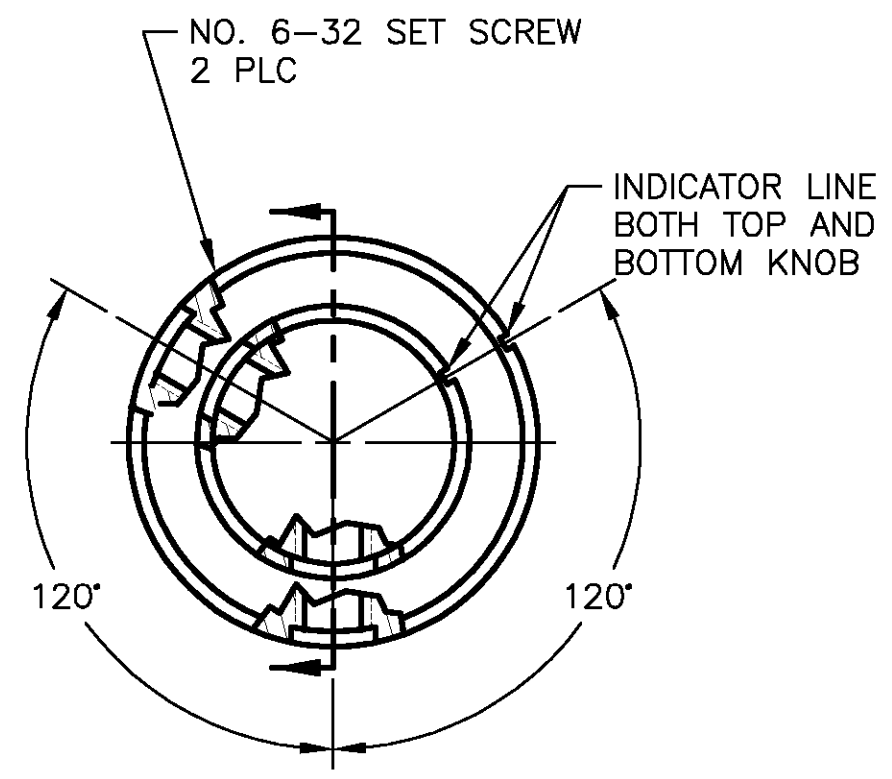


LOC	DIST	REVISIONS					
AD	00	P	LTR	DESCRIPTION	DATE	DWN	APVD
			A	REV PER EC OG3C-340-02	03DEC02	MB	MZ



- 1 KNOB: ALUMINUM; SET SCREWS: STAINLESS STEEL
- 2 FINISH: ANODIZED - SEE TABLE
- 3. WAS DRAWING NUMBER 80257

WHITE LACQUER	BLACK	KN5700B1/4	5-1437622-7
BLACK LACQUER	NATURAL	KN5700A1/4	5-1437622-6
INDICATOR LINE	FINISH	MODEL NUMBER	PART NUMBER
2 COLOR			

THIS DRAWING IS A CONTROLLED DOCUMENT.		DWN M.BINNER	03DEC02	Tyco Electronics Corporation Harrisburg, PA 17105	
DIMENSIONS: INCHES		CHK M.ZITTO	-		
		APVD M.ZITTO	-	NAME KNOB, STRAIGHT KNURL HAIRLINE INDICATOR (KN-5700)	
TOLERANCES UNLESS OTHERWISE SPECIFIED:		PRODUCT SPEC	-	APPLICATION SPEC	
0 PLC ± - 1 PLC ± - 2 PLC ± - 3 PLC ± .008 4 PLC ± - ANGLES ± -		WEIGHT	-	SIZE A3	CAGE CODE 00779
MATERIAL	FINISH	CUSTOMER DRAWING		DRAWING NO 5-1437622-6	RESTRICTED TO
1	2	SCALE 3:1		SHEET 1 OF 1	REV A