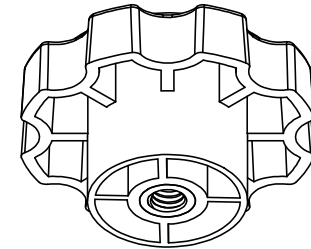
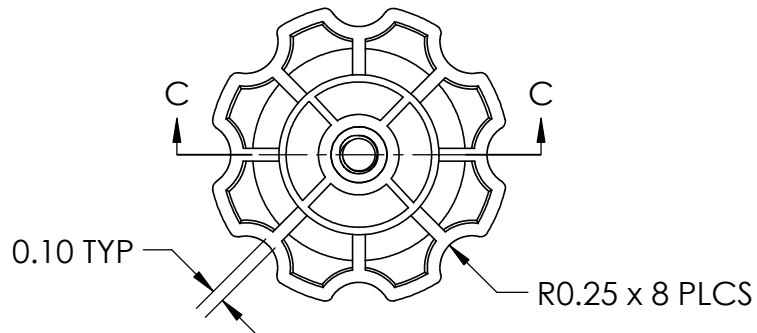
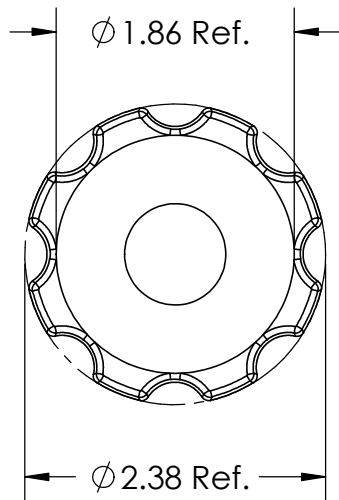
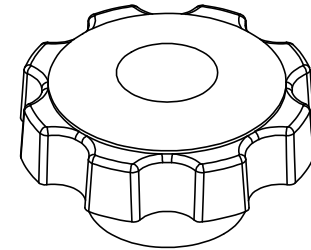


SECTION C-C  
SCALE 1 : 1.5



FOR CUSTOMER APPROVAL ONLY		REV	BY	DATE	COMMENT	DIMENSIONS ARE IN INCHES TOLERANCES FRACTIONAL ± TWO PLACE DECIMAL ± 0.03 THREE PLACE DECIMAL ± 0.010 UNLESS OTHERWISE NOTED	DRAWN	VRR	INNOVATIVE COMPONENTS
NAME:	0	JBA	11/28/12		Release Date		APPROVED	LQR	
TITLE:	1	JBA	11/28/12		Added Signature Box	KNOB MATERIAL Polypropylene, Black	DATE	02/06/2017	2 3/8" Fluted Knob 5/16-18 Blind Steel, Zinc & Yellow Cored Hub
	2	TW	02/03/17		Changed to Cored Hub		COMMENTS	RoHS Compliant	
DATE:	<b>PROPRIETARY AND CONFIDENTIAL</b>					KNOB FINISH Textured	INSERT MATERIAL Steel	PART NUMBER KN5C----F6-B-22	DRAWING NUMBER 02-04-17 R2
SIGNATURE:	THE INFORMATION CONTAINED IN THIS DRAWING IS THE SOLE PROPERTY OF INNOVATIVE COMPONENTS. ANY REPRODUCTION IN PART OR AS A WHOLE WITHOUT THE WRITTEN PERMISSION OF INNOVATIVE COMPONENTS IS PROHIBITED.					INSERT PART NUMBER NR5C0437750-Y2R	INSERT FINISH Zinc & Yellow	SCALE 1:2	SHEET 1 OF 1

