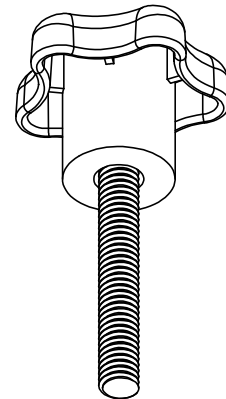
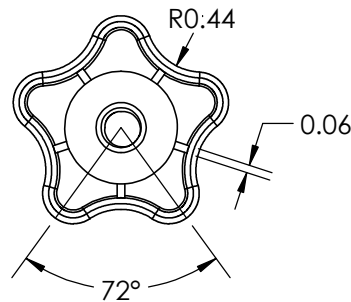
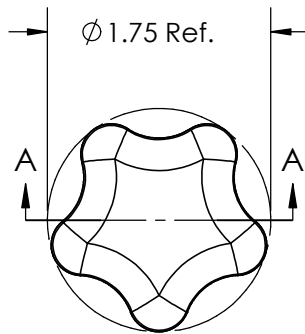


SECTION A-A
SCALE 1 : 1.5



FOR CUSTOMER APPROVAL ONLY	REV	BY	DATE	COMMENT	DIMENSIONS ARE IN INCHES TOLERANCES FRACTIONAL ± TWO PLACE DECIMAL ± 0.03 THREE PLACE DECIMAL ± 0.010 UNLESS OTHERWISE NOTED	DRAWN	VRR	INNOVATIVE COMPONENTS
NAME:	0	BMB	01/10/06	RELEASE DATE		APPROVED	LQR	
TITLE:	1	LQR	06/23/08	Converted to SolidWorks Format	KNOB MATERIAL Polypropylene, Black	DATE	06/23/2008	1 3/4" Star Knob 5/16"-18 x 2" Steel, Zinc Stud
DATE:	PROPRIETARY AND CONFIDENTIAL THE INFORMATION CONTAINED IN THIS DRAWING IS THE SOLE PROPERTY OF INNOVATIVE COMPONENTS. ANY REPRODUCTION IN PART OR AS A WHOLE WITHOUT THE WRITTEN PERMISSION OF INNOVATIVE COMPONENTS IS PROHIBITED.					COMMENTS	RoHS Compliant	
SIGNATURE:								

