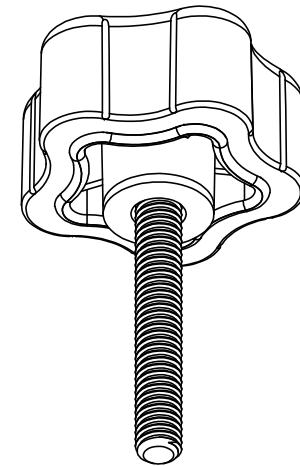
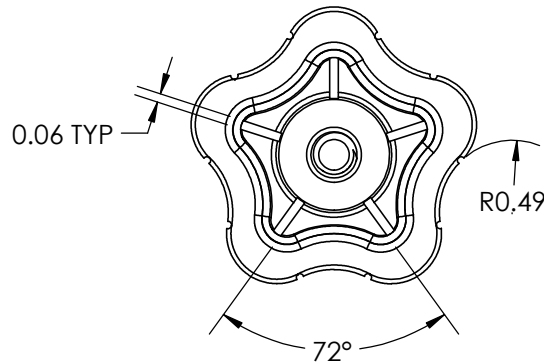
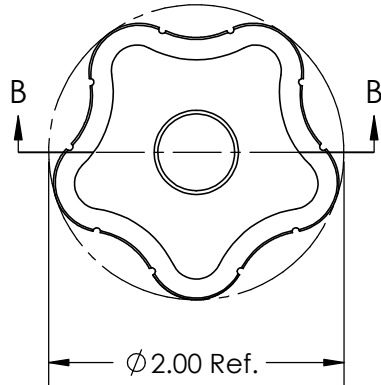


SECTION B-B  
SCALE 1 : 1.3



FOR CUSTOMER APPROVAL ONLY		REV	BY	DATE	COMMENT	DIMENSIONS ARE IN INCHES TOLERANCES FRACTIONAL ± TWO PLACE DECIMAL ± 0.03 THREE PLACE DECIMAL ± 0.010 UNLESS OTHERWISE NOTED	DRAWN	VRR	 INNOVATIVE COMPONENTS PART NAME  <b>1.89" Soft Tall Start Knob, 5/16-18 X 2.00" Steel, Zinc Stud</b>
NAME:	0	GCC	02/19/16		RELEASE DATE		APPROVED	LQR	
	1	LQR	07/03/18		Added Cavity pin Depth	DATE	07-03-2018	COMMENTS	
TITLE:									
DATE:						KNOB MATERIAL	TPE-48 SHORE A	INSERT MATERIAL	Steel
SIGNATURE:	<b>PROPRIETARY AND CONFIDENTIAL</b> THE INFORMATION CONTAINED IN THIS DRAWING IS THE SOLE PROPERTY OF INNOVATIVE COMPONENTS. ANY REPRODUCTION IN PART OR AS A WHOLE WITHOUT THE WRITTEN PERMISSION OF INNOVATIVE COMPONENTS IS PROHIBITED.					KNOB FINISH	Textured	INSERT FINISH	Zinc
						INSERT PART NUMBER	KN5C2000R3I--21		
SCALE 2:3								PART NUMBER	KN5C2000R5--S21
								DRAWING NUMBER	02-31-16 R0
								SHEET 1 OF 1	



PLASTIC KNOBS / CONTROL KNOBS / HANDLES / QUICK RELEASE PINS & BALL LOCK PINS  
 SPRING LOADED PINS & PLUNGERS / WIRE ROPE LANYARDS / THREAD IDENTIFIERS