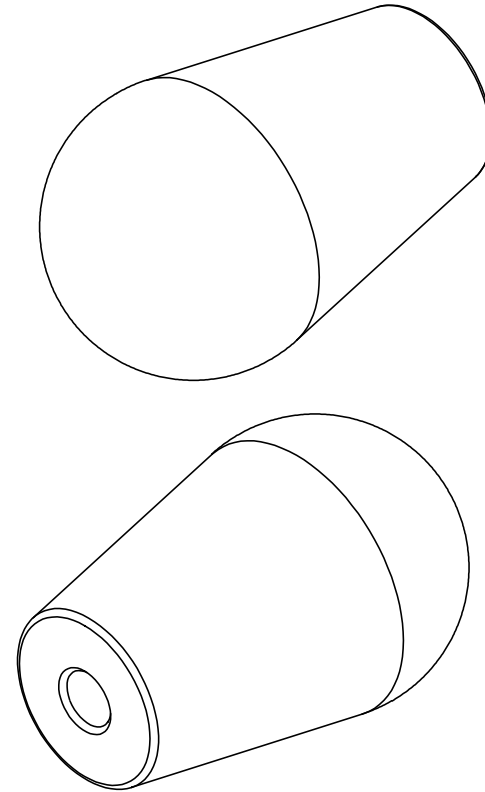
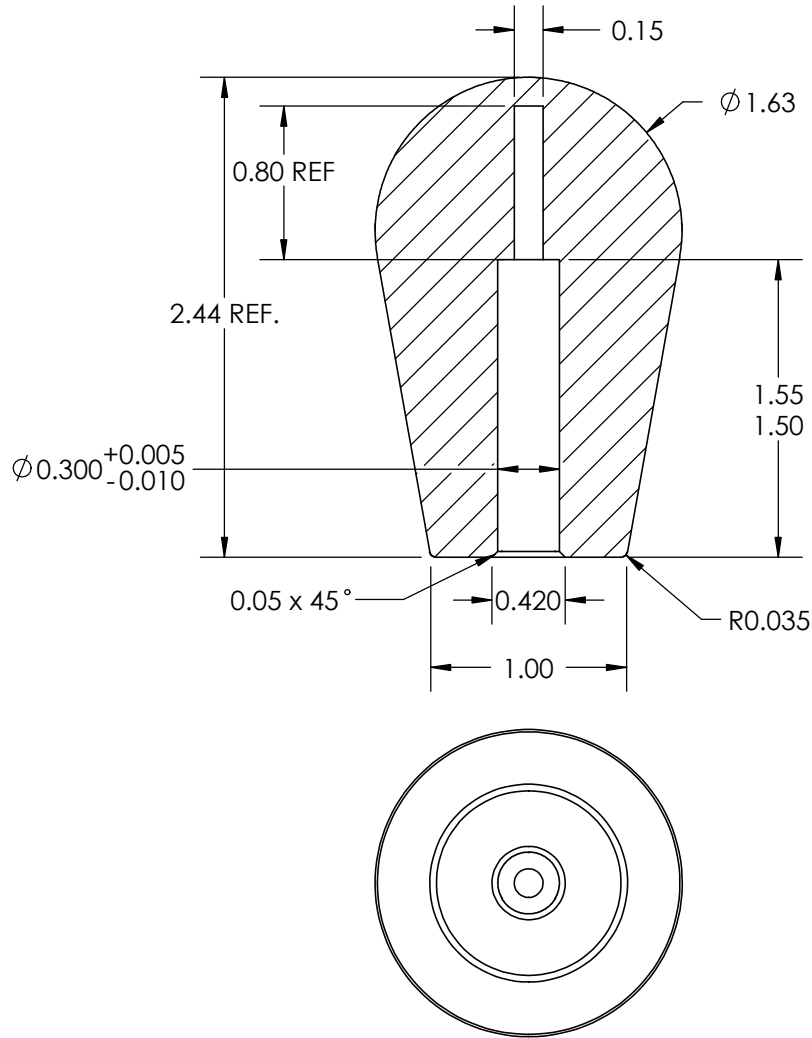


PATENT PENDING



FOR CUSTOMER APPROVAL ONLY				REV	BY	DATE	COMMENT	DIMENSIONS ARE IN INCHES TOLERANCES FRACTIONAL ± TWO PLACE DECIMAL ± 0.03 THREE PLACE DECIMAL ± 0.015 UNLESS OTHERWISE NOTED	DRAWN	COR	INNOVATIVE COMPONENTS PART NAME 1.63" Press Fit Shift Knob, Black, All Soft Touch to Accept 3/8 PART NUMBER KN6X--PFS5--S-- SCALE 1:1	DRAWING NUMBER	
NAME:	0	LQR	03/15/11	RELEASE DATE					APPROVED	LQR			
	1	LQR	03/17/11	Added Core Out					DATE	03/30/2012			
TITLE:	2	JPAH	01/09/12	Added Specifications					COMMENTS				
DATE:	3	COR	03/30/12	Added Ref to 0.80 Dimension									
SIGNATURE:	PROPRIETARY AND CONFIDENTIAL THE INFORMATION CONTAINED IN THIS DRAWING IS THE SOLE PROPERTY OF INNOVATIVE COMPONENTS. ANY REPRODUCTION IN PART OR AS A WHOLE WITHOUT THE WRITTEN PERMISSION OF INNOVATIVE COMPONENTS IS PROHIBITED.							KNOB MATERIAL TPE-48, Black KNOB FINISH Textured INSERT PART NUMBER					