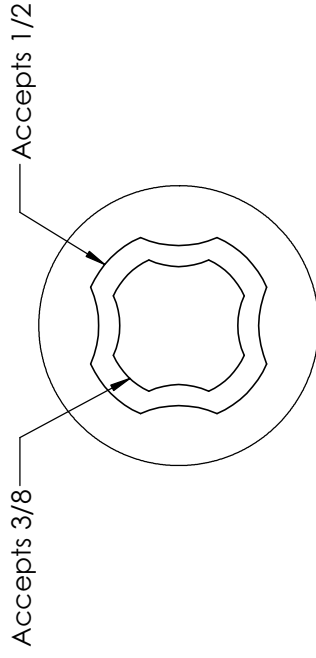
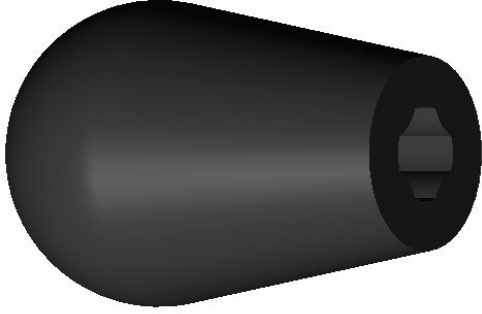
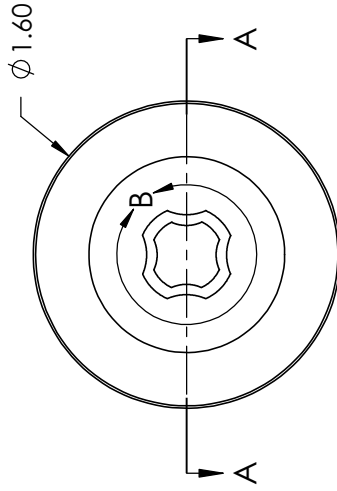


SECTION A-A



DETAIL B
SCALE 2 : 1

REV	BY	DATE	COMMENT	DIMENSIONS ARE IN INCHES TOLERANCES FRACTIONAL ± TWO PLACE DECIMAL ± 0.03 THREE PLACE DECIMAL ± 0.010 UNLESS OTHERWISE NOTED	DRAWN	DHP	INNOVATIVE COMPONENTS	
0	DHP	03/26/07	RELEASE DATE		APPROVED	KES		
					DATE	03/26/07		
					COMMENTS			
PROPRIETARY AND CONFIDENTIAL THE INFORMATION CONTAINED IN THIS DRAWING IS THE SOLE PROPERTY OF INNOVATIVE COMPONENTS. ANY REPRODUCTION IN PART OR AS A WHOLE WITHOUT THE WRITTEN PERMISSION OF INNOVATIVE COMPONENTS IS PROHIBITED.				MATERIAL	1.63 Teardrop Knob, Self-Tapping 3/8 & 1/2 threads			
				INSERT				Polypropylene, black
				FINISH				
				MIN. TORQUE N/A in.-lbs.		PART NUMBER	KN6X-8X-S5-----	
						DRAWING NUMBER	S5	
						SCALE 1:1	SHEET 1 OF 1	