



## AI Dongle KP52B130A-D1001

**A USB accessory featuring the Edge NPU that brings ML inferencing to existing systems.**

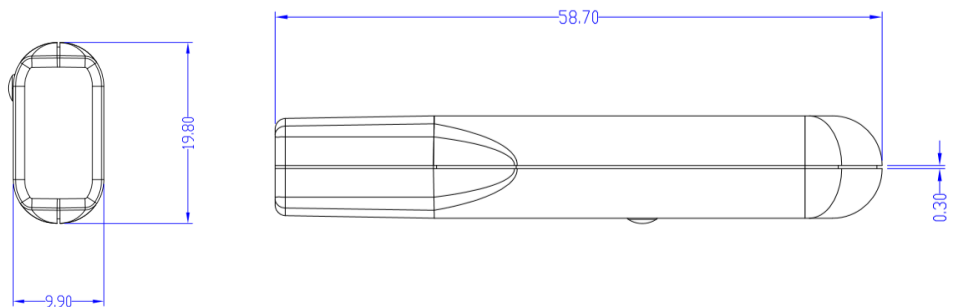
It includes a USB socket you can connect to a host computer to perform accelerated ML inferencing.

The ML accelerator coprocessor USB 2.0 Supports Linux, Mac, and Windows on host CPU

**Artificial Intelligence model can update online**

Support multiple Artificial Intelligence model which is identified the behavior or specific the Convolutional Neural Network .

### Dimension



## Software features

The USB Accelerator does not require any software to be installed, but the host computer must have the Edge NPU runtime and API library.

Instructions on how to install these are included in the guide for how to get started with the USB Accelerator.

For information about how to create models and run inferences on the Edge AI USB Accelerator, read the documentation for several models on the Edge AI.

Performance settings When you first set up the USB Accelerator,

## Hardware Specifications

Product	
SOC	Kneron KL520
Flash	32MB
Certification	FCC Class B, CE Mark, RoHS
Temperature	0~40°C
Humidity	5~95% (Non-Condensing)