



RoHS

## KPPX/KPXX Series

### Snap and Lock PCB and Cable Mount

**Features** 

- Laptop Computers, Power Supplies and Other Portable Digital Equipment Applications
- Snap and Lock Feature Helps to Prevent Accidental Disconnects
- 3 or 4 Pins Transmit Power, or One Pin Can be Used For Signal Transmission
- For Signal and DC Power Applications
- Plugs Supplied in Kits Ready for Assembly
- CSA/NRTL Certified File No. LR78160

## Performance Specifications

### Materials and Finish

#### Jack

**Shield:** Tin Plated

**Body:** PBT UL94 V-0 Rated

**HT Body:** High Temperature Thermoplastic, UL94 V-0 Rated

#### Plug

**Body:** ABS, UL 94HB Rated

**Insert:** Nylon, UL 94HB Rated

## Electrical Characteristics

#### Contact Rating

**3 Position:** Pin 1 and 2, 24V DC at 7.5A Max.,  
Pin 3, 24V DC 1.0A Max.

**4 Position:** 24V DC 7.5A Max. for all Pins

**Insulation Resistance:** 50 Megohms Min. at 250V DC

**Dielectric Withstanding Voltage:** 500V AC for 1 Minute

**Contact Resistance:** 30 milliohms Max.

## Mechanical Characteristics

**Durability Test:** 1000 Cycles

**Suggested Wire Awg.:** #18 for Power Wires, #24 for Signal Wire

## DC POWER CONNECTORS

### KPXX / KPPX Series

#### Ordering Information

Series	Mounting Option	No of Contacts	Contact Type	Shield Option
--------	-----------------	----------------	--------------	---------------

#### Series

- KPXX - Right Angle Receptacle
- KPXX-CM - Receptacle, Cable Mount
- KPXX-PM - Receptacle, Panel Mount
- KPXXHT - High Temp Right Angle Receptacle
- KPPX - Snap and Lock DC Power Plug Cable Mount

#### Number of Contacts

- 3 Pin
- 4 Pin

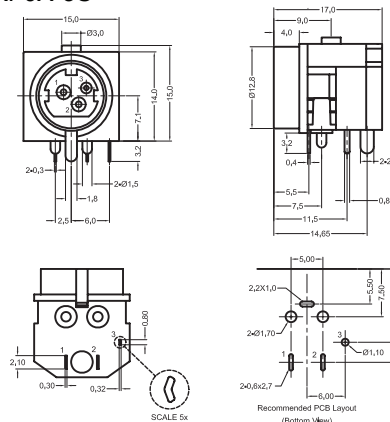
#### Contact Type

- S - Socket (KPXX Only)
- P - Plug (KPPX Only)

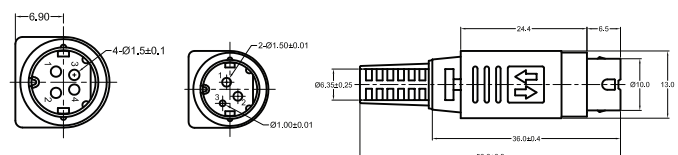
#### Shield Option

- Blank - Non-Shielded
- S - Shielded (KPXX, KPXX-PM and KPXXHT only)

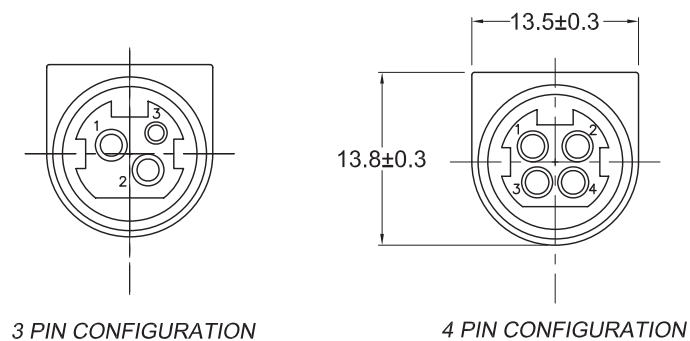
#### KPXX-3S



#### KPPX-xP

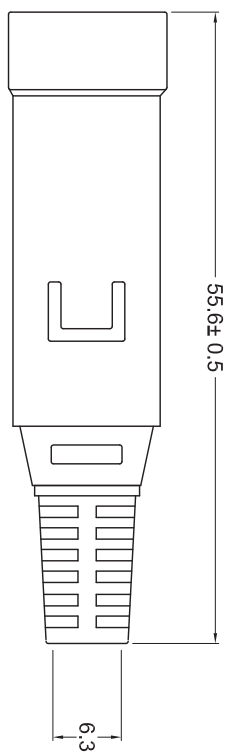


**KPJX-CM-xS**

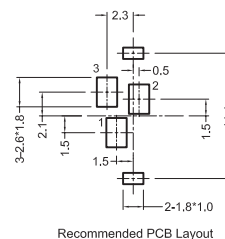
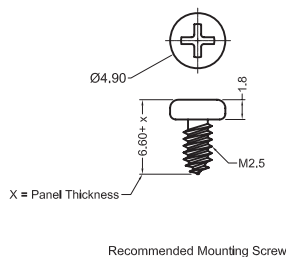
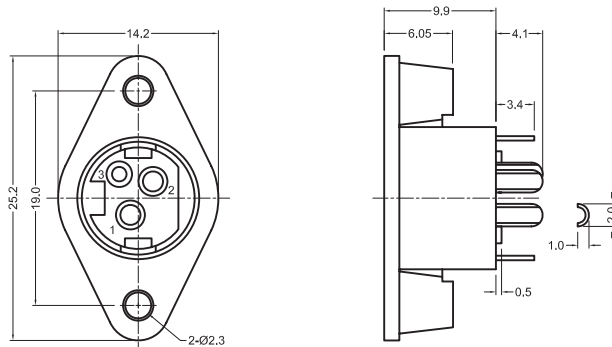


3 PIN CONFIGURATION

4 PIN CONFIGURATION



**KPJX-PM-3S**



**KPJX-PM-4S**

