



KSZ8091MNX/KSZ8091RNB

10Base-T/100Base-TX Physical Layer Transceiver

Data Sheet Rev. 1.0

General Description

The KSZ8091 is a single-supply 10Base-T/100Base-TX Ethernet physical-layer transceiver for transmission and reception of data over standard CAT-5 unshielded twisted pair (UTP) cable.

The KSZ8091 is a highly-integrated PHY solution. It reduces board cost and simplifies board layout by using on-chip termination resistors for the differential pairs, by integrating a low-noise regulator to supply the 1.2V core, and by offering a flexible 1.8/2.5/3.3V digital I/O interface.

The KSZ8091MNX offers the Media Independent Interface (MII) and the KSZ8091RNB offers the Reduced Media Independent Interface (RMII) for direct connection with MII/RMII-compliant Ethernet MAC processors and switches.

Energy Efficient Ethernet (EEE) provides further power saving during idle traffic periods and Wake-on-LAN (WOL) provides a mechanism for the KSZ8091 to wake up a system that is in standby power mode.

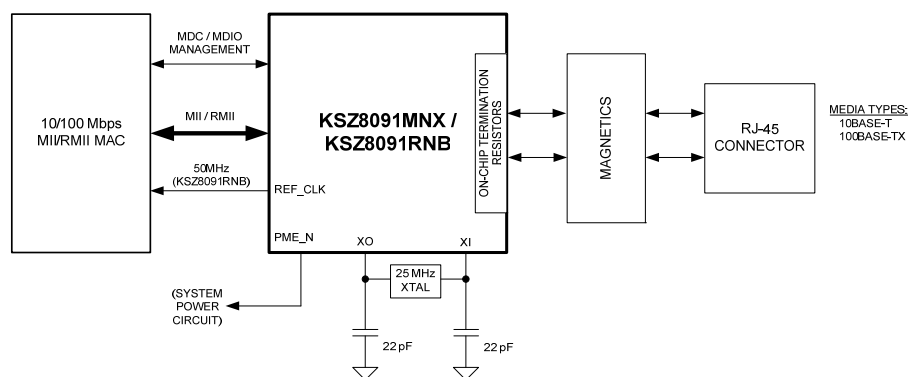
The KSZ8091 provides diagnostic features to facilitate system bring-up and debugging in production testing and in product deployment. Parametric NAND tree support enables fault detection between KSZ8091 I/Os and the board. Micrel LinkMD[®] TDR-based cable diagnostics identify faulty copper cabling.

The KSZ8091MNX and KSZ8091RNB are available in 32-pin, lead-free QFN packages (see “[Ordering Information](#)”).

Features

- Single-chip 10Base-T/100Base-TX IEEE 802.3 compliant Ethernet transceiver
- MII interface support (KSZ8091MNX)
- RMII v1.2 Interface support with a 50MHz reference clock output to MAC, and an option to input a 50MHz reference clock (KSZ8091RNB)
- Back-to-back mode support for a 100Mbps copper repeater
- MDC/MDIO management interface for PHY register configuration
- Programmable interrupt output
- LED outputs for link and activity status indication, plus speed indication for KSZ8091RNB
- On-chip termination resistors for the differential pairs
- Baseline wander correction
- HP Auto MDI/MDI-X to reliably detect and correct straight-through and crossover cable connections with disable and enable option
- Auto-negotiation to automatically select the highest link-up speed (10/100Mbps) and duplex (half/full)
- Energy Efficient Ethernet (EEE) support with low-power idle (LPI) mode and clock stoppage (MII version only) for 100Base-TX and transmit amplitude reduction with 10Base-Te option
- Wake-on-LAN (WOL) support with either magic packet, link status change, or robust custom-packet detection

Functional Diagram



LinkMD is a registered trademark of Micrel, Inc.

Micrel Inc. • 2180 Fortune Drive • San Jose, CA 95131 • USA • tel +1 (408) 944-0800 • fax + 1 (408) 474-1000 • <http://www.micrel.com>

Features (Continued)

- Power-down and power-saving modes
- LinkMD TDR-based cable diagnostics to identify faulty copper cabling
- Parametric NAND Tree support for fault detection between chip I/Os and the board
- Loopback modes for diagnostics
- Single 3.3V power supply with VDD I/O options for 1.8V, 2.5V, or 3.3V
- Built-in 1.2V regulator for core
- Available in 32-pin (5mm x 5mm) QFN package

Applications

- Game console
- IP phone
- IP set-top box
- IP TV
- LOM
- Printer

Ordering Information

| Part Number | Temperature Range | Package | Lead Finish | Wire Bonding | Description |
|-----------------------------|-------------------|------------|-------------|--------------|--|
| KSZ8091MNXCA | 0°C to 70°C | 32-Pin QFN | Pb-Free | Gold | MII, EEE and WOL Support, Commercial Temperature, Gold Wire Bonding |
| KSZ8091MNXIA ⁽¹⁾ | -40°C to 85°C | 32-Pin QFN | Pb-Free | Gold | MII, EEE and WOL Support, Industrial Temperature, Gold Wire Bonding |
| KSZ8091RNBCA | 0°C to 70°C | 32-Pin QFN | Pb-Free | Gold | RMII with 25MHz crystal/clock input and 50MHz RMII REF_CLK output (power-up default), EEE and WOL Support, Commercial Temperature, Gold Wire Bonding |
| KSZ8091RNBIA ⁽¹⁾ | -40°C to 85°C | 32-Pin QFN | Pb-Free | Gold | RMII with 25MHz crystal/clock input and 50MHz RMII REF_CLK output (power-up default), EEE and WOL Support, Industrial Temperature, Gold Wire Bonding |
| KSZ8091MNX-EVAL | 0°C to 70°C | 32-Pin QFN | Pb-Free | | KSZ8091MNX Evaluation Board (Mounted with KSZ8091MNX device in commercial temperature) |
| KSZ8091RNB-EVAL | 0°C to 70°C | 32-Pin QFN | Pb-Free | | KSZ8091RNB Evaluation Board (Mounted with KSZ8091RNB device in commercial temperature) |

Note:

1. Contact factory for lead time.

Revision History

| Revision | Date | Summary of Changes |
|----------|---------|--------------------|
| 1.0 | 2/15/13 | Data sheet created |

Contents

| | |
|---|----|
| General Description | 1 |
| Features | 1 |
| Functional Diagram | 1 |
| Features (Continued) | 2 |
| Applications | 2 |
| Ordering Information | 2 |
| Revision History | 3 |
| Contents | 4 |
| List of Figures..... | 7 |
| List of Tables..... | 8 |
| Pin Configuration– KSZ8091MNX | 9 |
| Pin Description– KSZ8091MNX | 10 |
| Strapping Options – KSZ8091MNX | 13 |
| Pin Configuration – KSZ8091RNB | 14 |
| Pin Description– KSZ8091RNB | 15 |
| Strapping Options – KSZ8091RNB..... | 19 |
| Functional Description: 10Base-T/100Base-TX Transceiver | 20 |
| 100Base-TX Transmit..... | 20 |
| 100Base-TX Receive..... | 20 |
| Scrambler/De-Scrambler (100Base-TX Only)..... | 20 |
| 10Base-T Transmit | 21 |
| 10Base-T Receive | 21 |
| SQE and Jabber Function (10Base-T Only) | 21 |
| PLL Clock Synthesizer | 21 |
| Auto-Negotiation..... | 21 |
| MII Interface (KSZ8091MNX only) | 22 |
| MII Signal Definition..... | 22 |
| Transmit Clock (TXC)..... | 23 |
| Transmit Enable (TXEN) | 23 |
| Transmit Data[3:0] (TXD[3:0])..... | 23 |
| Transmit Error (TXER)..... | 23 |
| Receive Clock (RXC)..... | 23 |
| Receive Data Valid (RXDV)..... | 24 |
| Receive Data[3:0] (RXD[3:0]) | 24 |
| Receive Error (RXER) | 24 |
| Carrier Sense (CRS) | 24 |
| Collision (COL) | 24 |
| MII Signal Diagram | 24 |
| RMII Data Interface (KSZ8091RNB only) | 25 |
| RMII – 25MHz Clock Mode..... | 25 |
| RMII – 50MHz Clock Mode..... | 25 |

| | |
|---|----|
| RMII Signal Definition | 25 |
| Reference Clock (REF_CLK)..... | 26 |
| Transmit Enable (TXEN) | 26 |
| Transmit Data[1:0] (TXD[1:0])..... | 26 |
| Carrier Sense / Receive Data Valid (CRS_DV) | 26 |
| Receive Data[1:0] (RXD[1:0]) | 26 |
| Receive Error (RXER) | 27 |
| Collision Detection (COL)..... | 27 |
| RMII Signal Diagram | 27 |
| Back-to-Back Mode – 100Mbps Copper Repeater | 28 |
| MII Back-to-Back Mode (KSZ8091MNX only)..... | 28 |
| RMII Back-to-Back Mode (KSZ8091RNB only) | 29 |
| MII Management (MIIM) Interface..... | 30 |
| Interrupt (INTRP)..... | 30 |
| HP Auto MDI/MDI-X | 30 |
| Straight Cable..... | 31 |
| Crossover Cable..... | 32 |
| Loopback Mode..... | 32 |
| Local (Digital) Loopback | 32 |
| Remote (Analog) Loopback | 33 |
| LinkMD [®] Cable Diagnostic | 34 |
| NAND Tree Support | 34 |
| NAND Tree I/O Testing | 35 |
| Power Management | 35 |
| Power-Saving Mode | 36 |
| Energy-Detect Power-Down Mode | 36 |
| Power-Down Mode | 36 |
| Slow-Oscillator Mode..... | 36 |
| Energy Efficient Ethernet (EEE)..... | 36 |
| Transmit Direction Control (MAC-to-PHY)..... | 37 |
| Receive Direction Control (PHY-to-MAC)..... | 38 |
| Registers Associated with EEE | 39 |
| Wake-On-LAN | 39 |
| Magic-Packet Detection..... | 40 |
| Customized-Packet Detection | 40 |
| Link Status Change Detection | 40 |
| Reference Circuit for Power and Ground Connections..... | 41 |
| Typical Current/Power Consumption | 42 |
| Transceiver (3.3V), Digital I/Os (3.3V)..... | 42 |
| Transceiver (3.3V), Digital I/Os (2.5V)..... | 42 |
| Transceiver (3.3V), Digital I/Os (1.8V)..... | 43 |
| Register Map..... | 44 |
| Standard Registers | 46 |
| IEEE-Defined Registers – Descriptions | 46 |
| Vendor-Specific Registers – Descriptions | 50 |

| | |
|--|----|
| MMD Registers..... | 56 |
| MMD Registers – Descriptions | 57 |
| Absolute Maximum Ratings ⁽¹⁾ | 63 |
| Operating Ratings ⁽²⁾ | 63 |
| Electrical Characteristics ⁽³⁾ | 63 |
| Timing Diagrams | 65 |
| MII SQE Timing (10Base-T) | 65 |
| MII Transmit Timing (10Base-T) | 66 |
| MII Receive Timing (10Base-T) | 67 |
| MII Transmit Timing (100Base-TX)..... | 68 |
| MII Receive Timing (100Base-TX)..... | 69 |
| RMII Timing | 70 |
| Auto-Negotiation Timing | 71 |
| MDC/MDIO Timing | 72 |
| Power-Up/Reset Timing | 73 |
| Reset Circuit..... | 74 |
| Reference Circuits – LED Strap-In Pins..... | 75 |
| Reference Clock – Connection and Selection | 76 |
| Magnetic – Connection and Selection | 77 |
| Recommended Land Pattern | 79 |
| Package Information ⁽¹⁾ | 80 |

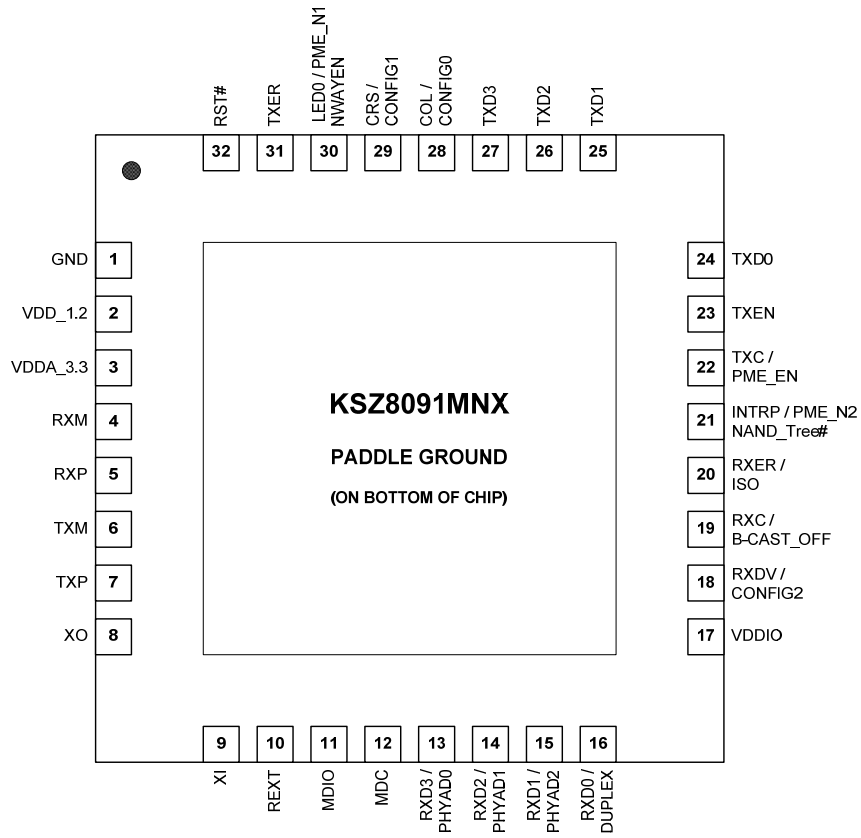
List of Figures

| | |
|---|----|
| Figure 1. Auto-Negotiation Flow Chart..... | 22 |
| Figure 2. KSZ8091MNX MII Interface..... | 25 |
| Figure 3. KSZ8091RNB RMII Interface (25MHz Clock Mode)..... | 27 |
| Figure 4. KSZ8091RNB RMII Interface (50MHz Clock Mode)..... | 28 |
| Figure 5. KSZ8091MNX/RNB to KSZ8091MNX/RNB Back-to-Back Copper Repeater | 28 |
| Figure 6. Typical Straight Cable Connection | 31 |
| Figure 7. Typical Crossover Cable Connection | 32 |
| Figure 8. Local (Digital) Loopback | 32 |
| Figure 9. Remote (Analog) Loopback..... | 33 |
| Figure 10. LPI Mode (Refresh Transmissions and Quiet Periods)..... | 37 |
| Figure 11. LPI Transition – MII (100Mbps) Transmit | 37 |
| Figure 12. LPI Transition – RMII (100Mbps) Transmit..... | 38 |
| Figure 13. LPI Transition – MII (100Mbps) Receive | 38 |
| Figure 14. LPI Transition – RMII (100Mbps) Receive..... | 39 |
| Figure 15. KSZ8091MNX/RNB Power and Ground Connections..... | 41 |
| Figure 16. MII SQE Timing (10Base-T) | 65 |
| Figure 17. MII Transmit Timing (10Base-T)..... | 66 |
| Figure 18. MII Receive Timing (10Base-T)..... | 67 |
| Figure 19. MII Transmit Timing (100Base-TX)..... | 68 |
| Figure 20. MII Receive Timing (100Base-TX)..... | 69 |
| Figure 21. RMII Timing – Data Received from RMII..... | 70 |
| Figure 22. RMII Timing – Data Input to RMII | 70 |
| Figure 23. Auto-Negotiation Fast Link Pulse (FLP) Timing | 71 |
| Figure 24. MDC/MDIO Timing..... | 72 |
| Figure 25. Power-Up/Reset Timing..... | 73 |
| Figure 26. Recommended Reset Circuit..... | 74 |
| Figure 27. Recommended Reset Circuit for Interfacing with CPU/FPGA Reset Output | 74 |
| Figure 28. Reference Circuits for LED Strapping Pins..... | 75 |
| Figure 29. 25MHz Crystal/Oscillator Reference Clock Connection | 76 |
| Figure 30. 50MHz Oscillator Reference Clock Connection | 76 |
| Figure 31. Typical Magnetic Interface Circuit..... | 77 |
| Figure 32. Recommended Land Pattern, 32-Pin (5mm x 5mm) QFN | 79 |

List of Tables

| | |
|--|----|
| Table 1. MII Signal Definition | 23 |
| Table 2. RMII Signal Definition..... | 26 |
| Table 3. MII Signal Connection for MII Back-to-Back Mode (100Base-TX Copper Repeater)..... | 29 |
| Table 4. RMII Signal Connection for RMII Back-to-Back Mode (100Base-TX Copper Repeater) | 29 |
| Table 5. MII Management Frame Format for the KSZ8091MNX/RNB | 30 |
| Table 6. MDI/MDI-X Pin Definition | 31 |
| Table 7. NAND Tree Test Pin Order for KSZ8091MNX..... | 34 |
| Table 8. NAND Tree Test Pin Order for KSZ8091RNB | 35 |
| Table 9. KSZ8091MNX/RNB Power Pin Description | 41 |
| Table 10. Typical Current/Power Consumption (VDDA_3.3 = 3.3V, VDDIO = 3.3V)..... | 42 |
| Table 11. Typical Current/Power Consumption (VDDA_3.3 = 3.3V, VDDIO = 2.5V)..... | 42 |
| Table 12. Typical Current/Power Consumption (VDDA_3.3 = 3.3V, VDDIO = 1.8V)..... | 43 |
| Table 13. Standard Registers Supported by KSZ8091MNX/RNB | 44 |
| Table 14. MMD Registers Supported by KSZ8091MNX/RNB | 45 |
| Table 15. Portal Registers (Access to Indirect MMD Registers)..... | 56 |
| Table 16. MII SQE Timing (10Base-T) Parameters | 65 |
| Table 17. MII Transmit Timing (10Base-T) Parameters | 66 |
| Table 18. MII Receive Timing (10Base-T) Parameters | 67 |
| Table 19. MII Transmit Timing (100Base-TX) Parameters | 68 |
| Table 20. MII Receive Timing (100Base-TX) Parameters | 69 |
| Table 21. RMII Timing Parameters – KSZ8091RNB (25MHz input to XI pin, 50MHz output from REF_CLK pin) | 70 |
| Table 22. RMII Timing Parameters – KSZ8091RNB (50MHz input to XI pin) | 70 |
| Table 23. Auto-Negotiation Fast Link Pulse (FLP) Timing Parameters..... | 71 |
| Table 24. MDC/MDIO Timing Parameters | 72 |
| Table 25. Power-Up/Reset Timing Parameters | 73 |
| Table 26. 25MHz Crystal / Reference Clock Selection Criteria | 76 |
| Table 27. 50MHz Oscillator / Reference Clock Selection Criteria | 76 |
| Table 28. Magnetics Selection Criteria | 78 |
| Table 29. Compatible Single-Port 10/100 Magnetics..... | 78 |

Pin Configuration– KSZ8091MNX



32-Pin (5mm x 5mm) QFN

Pin Description– KSZ8091MNX

| Pin Number | Pin Name | Type ⁽¹⁾ | Pin Function |
|------------|--------------------|---------------------|---|
| 1 | GND | Gnd | Ground |
| 2 | VDD_1.2 | P | 1.2V core V _{DD} (power supplied by KSZ8091MNX) Decouple with 2.2μF and 0.1μF capacitors to ground. |
| 3 | VDDA_3.3 | P | 3.3V analog V _{DD} |
| 4 | RXM | I/O | Physical receive or transmit signal (– differential) |
| 5 | RXP | I/O | Physical receive or transmit signal (+ differential) |
| 6 | TXM | I/O | Physical transmit or receive signal (– differential) |
| 7 | TXP | I/O | Physical transmit or receive signal (+ differential) |
| 8 | XO | O | Crystal feedback for 25MHz crystal This pin is a no connect if an oscillator or external clock source is used. |
| 9 | XI | I | Crystal / Oscillator / External Clock input 25MHz ±50ppm |
| 10 | REXT | I | Set PHY transmit output current Connect a 6.49kΩ resistor to ground on this pin. |
| 11 | MDIO | Ipu/Opu | Management Interface (MII) Data I/O This pin has a weak pull-up, is open-drain, and requires an external 1.0kΩ pull-up resistor. |
| 12 | MDC | Ipu | Management Interface (MII) Clock input This clock pin is synchronous to the MDIO data pin. |
| 13 | RXD3/ PHYAD0 | Ipu/O | MII mode: MII Receive Data Output[3] ⁽²⁾ Config mode: The pull-up/pull-down value is latched as PHYADDR[0] at the de-assertion of reset. See the “ Strapping Options – KSZ8091MNX ” section for details. |
| 14 | RXD2/ PHYAD1 | Ipd/O | MII mode: MII Receive Data Output[2] ⁽²⁾ Config mode: The pull-up/pull-down value is latched as PHYADDR[1] at the de-assertion of reset. See the “ Strapping Options – KSZ8091MNX ” section for details. |
| 15 | RXD1/ PHYAD2 | Ipd/O | MII mode: MII Receive Data Output[1] ⁽²⁾ Config mode: The pull-up/pull-down value is latched as PHYADDR[2] at the de-assertion of reset. See the “ Strapping Options – KSZ8091MNX ” section for details. |
| 16 | RXD0/ DUPLEX | Ipu/O | MII mode: MII Receive Data Output[0] ⁽²⁾ Config mode: The pull-up/pull-down value is latched as DUPLEX at the de-assertion of reset. See the “ Strapping Options – KSZ8091MNX ” section for details. |
| 17 | VDDIO | P | 3.3V, 2.5V, or 1.8V digital V _{DD} |
| 18 | RXDV/ CONFIG2 | Ipd/O | MII mode: MII Receive Data Valid output Config mode: The pull-up/pull-down value is latched as CONFIG2 at the de-assertion of reset. See the “ Strapping Options – KSZ8091MNX ” section for details. |
| 19 | RXC/ B-CAST_OFF | Ipd/O | MII mode: MII Receive Clock output Config mode: The pull-up/pull-down value is latched as B-CAST_OFF at the de-assertion of reset. See the “ Strapping Options – KSZ8091MNX ” section for details. |

| Pin Number | Pin Name | Type ⁽¹⁾ | Pin Function |
|------------|---|---------------------|--|
| 20 | RXER/ ISO | lpd/O | MII mode: MII Receive Error output Config mode: The pull-up/pull-down value is latched as ISOLATE at the de-assertion of reset. See the “ Strapping Options – KSZ8091MNX ” section for details. |
| 21 | INTRP/ PME_N2/ NAND_Tree# | lpu/Opu | Interrupt output: Programmable interrupt output, with register 1Bh as the Interrupt Control/Status register, for programming the interrupt conditions and reading the interrupt status. Register 1Fh, bit [9] sets the interrupt output to active low (default) or active high. PME_N output: Programmable PME_N output (pin option 2). When asserted low, this pin signals that a WOL event has occurred. Config mode: The pull-up/pull-down value is latched as NAND Tree# at the de-assertion of reset. See the “ Strapping Options – KSZ8091MNX ” section for details. This pin has a weak pull-up and is an open-drain. For Interrupt (when active low) and PME functions, this pin requires an external 1.0kΩ pull-up resistor to VDDIO (digital V _{DD}). |
| 22 | TXC/ PME_EN | lpd/O | MII mode: MII Transmit Clock output MII back-to-back mode: MII Transmit Clock input Config mode: The pull-up/pull-down value is latched as PME_EN at the de-assertion of reset. See the “ Strapping Options – KSZ8091MNX ” section for details. |
| 23 | TXEN | I | MII mode: MII Transmit Enable input |
| 24 | TXD0 | I | MII mode: MII Transmit Data Input[0] ⁽³⁾ |
| 25 | TXD1 | I | MII mode: MII Transmit Data Input[1] ⁽³⁾ |
| 26 | TXD2 | I | MII mode: MII Transmit Data Input[2] ⁽³⁾ |
| 27 | TXD3 | I | MII Mode: MII Transmit Data Input[3] ⁽³⁾ |
| 28 | COL/ CONFIG0 | lpd/O | MII mode: MII Collision Detect output Config mode: The pull-up/pull-down value is latched as CONFIG0 at the de-assertion of reset. See the “ Strapping Options – KSZ8091MNX ” section for details. |
| 29 | CRS/ CONFIG1 | lpd/O | MII mode: MII Carrier Sense output Config mode: The pull-up/pull-down value is latched as CONFIG1 at the de-assertion of reset. See the “ Strapping Options – KSZ8091MNX ” section for details. |

| Pin Number | Pin Name | Type ⁽¹⁾ | Pin Function | | | | | | | | | | | | | | | | | | | | | | | | | | | |
|-----------------|--------------------------------|---------------------|--|-----------------|--|--|---------------|-----------|----------------|---------|------|-----|------|-----|----|----------|--------|----------|-----------------|--|--|------|-----------|----------------|---------|------|-----|------|-----|----|
| 30 | LED0/ PME_N1/ NWAYEN | Ipu/O | <p>LED output: Programmable LED0 output</p> <p>PME_N Output: Programmable PME_N Output (pin option 1)</p> <p>In this mode, this pin has a weak pull-up, is an open-drain, and requires an external 1.0KΩ pull-up resistor to VDDIO (digital V_{DD}).</p> <p>Config mode: Latched as auto-negotiation enable (register 0h, bit [12]) at the de-assertion of reset.</p> <p>See the “Strapping Options – KSZ8091MNX” section for details.</p> <p>The LED0 pin is programmable using register 1Fh bits [5:4], and is defined as follows.</p> <table border="1"> <thead> <tr> <th colspan="3">LED mode = [00]</th> </tr> <tr> <th>Link/Activity</th> <th>Pin State</th> <th>LED Definition</th> </tr> </thead> <tbody> <tr> <td>No link</td> <td>High</td> <td>OFF</td> </tr> <tr> <td>Link</td> <td>Low</td> <td>ON</td> </tr> <tr> <td>Activity</td> <td>Toggle</td> <td>Blinking</td> </tr> </tbody> </table> <table border="1"> <thead> <tr> <th colspan="3">LED mode = [01]</th> </tr> <tr> <th>Link</th> <th>Pin State</th> <th>LED Definition</th> </tr> </thead> <tbody> <tr> <td>No link</td> <td>High</td> <td>OFF</td> </tr> <tr> <td>Link</td> <td>Low</td> <td>ON</td> </tr> </tbody> </table> <p>LED mode = [10], [11] Reserved</p> | LED mode = [00] | | | Link/Activity | Pin State | LED Definition | No link | High | OFF | Link | Low | ON | Activity | Toggle | Blinking | LED mode = [01] | | | Link | Pin State | LED Definition | No link | High | OFF | Link | Low | ON |
| LED mode = [00] | | | | | | | | | | | | | | | | | | | | | | | | | | | | | | |
| Link/Activity | Pin State | LED Definition | | | | | | | | | | | | | | | | | | | | | | | | | | | | |
| No link | High | OFF | | | | | | | | | | | | | | | | | | | | | | | | | | | | |
| Link | Low | ON | | | | | | | | | | | | | | | | | | | | | | | | | | | | |
| Activity | Toggle | Blinking | | | | | | | | | | | | | | | | | | | | | | | | | | | | |
| LED mode = [01] | | | | | | | | | | | | | | | | | | | | | | | | | | | | | | |
| Link | Pin State | LED Definition | | | | | | | | | | | | | | | | | | | | | | | | | | | | |
| No link | High | OFF | | | | | | | | | | | | | | | | | | | | | | | | | | | | |
| Link | Low | ON | | | | | | | | | | | | | | | | | | | | | | | | | | | | |
| 31 | TXER | lpd | <p>MII mode: MII Transmit Error input</p> <p>For EEE mode, this pin is driven by the EEE-MAC to put the KSZ8091MNX transmit into the LPI state.</p> <p>For non-EEE mode, this pin is not defined for error transmission from MAC to KSZ8091MNX and can be left as a no connect.</p> | | | | | | | | | | | | | | | | | | | | | | | | | | | |
| 32 | RST# | Ipu | Chip reset (active low) | | | | | | | | | | | | | | | | | | | | | | | | | | | |
| PADDLE | GND | Gnd | Ground | | | | | | | | | | | | | | | | | | | | | | | | | | | |

Notes:

- P = Power supply.
 Gnd = Ground.
 I = Input.
 O = Output.
 I/O = Bi-directional.
 Ipu = Input with internal pull-up (see “[Electrical Characteristics](#)” for value).
 lpd = Input with internal pull-down (see “[Electrical Characteristics](#)” for value).
 Ipu/O = Input with internal pull-up (see “[Electrical Characteristics](#)” for value) during power-up/reset; output pin otherwise.
 lpd/O = Input with internal pull-down (see “[Electrical Characteristics](#)” for value) during power-up/reset; output pin otherwise.
 Ipu/Opu = Input with internal pull-up (see “[Electrical Characteristics](#)” for value) and output with internal pull-up (see “[Electrical Characteristics](#)” for value).
- MII RX Mode: The RXD[3:0] bits are synchronous with RXC. When RXDV is asserted, RXD[3:0] presents valid data to the MAC.
- MII TX Mode: The TXD[3:0] bits are synchronous with TXC. When TXEN is asserted, TXD[3:0] presents valid data from the MAC.

Strapping Options – KSZ8091MNX

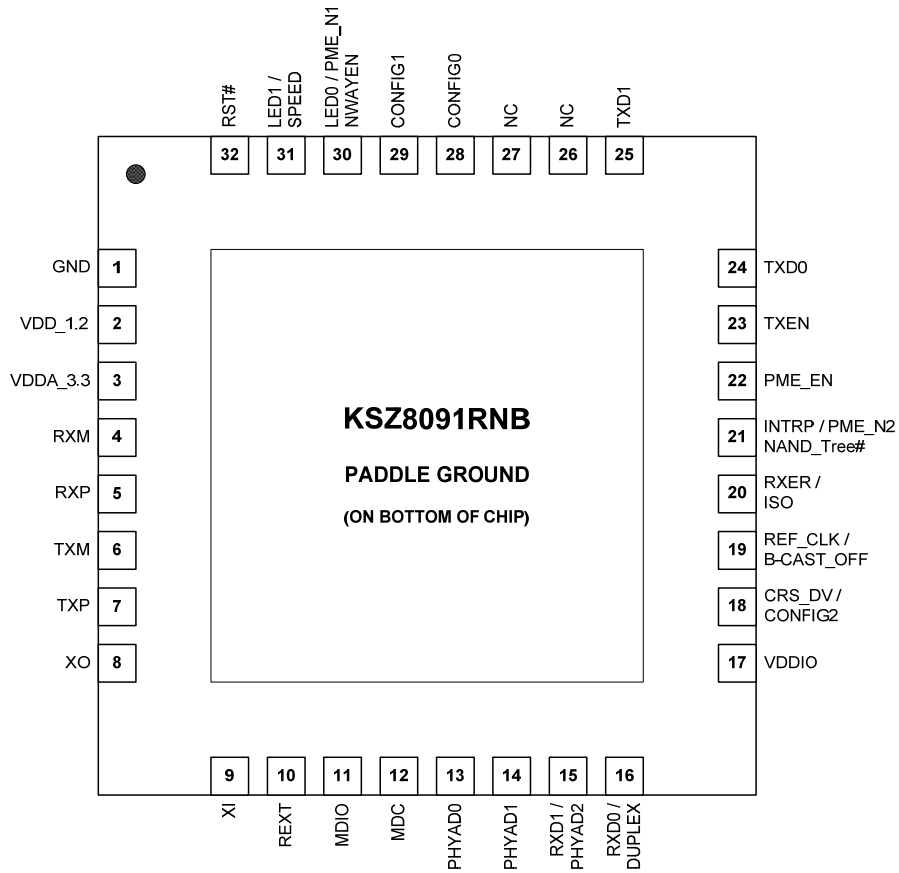
| Pin Number | Pin Name | Type ⁽¹⁾ | Pin Function | | | | | | | | |
|----------------|-------------------------------|-------------------------|--|-------------|------|-----|---------------|-----|------------------|----------------|---------------------|
| 15 14 13 | PHYAD2 PHYAD1 PHYAD0 | lpd/O lpd/O lpu/O | PHYAD[2:0] is latched at de-assertion of reset and is configurable to any value from 0 to 7 with PHY Address 1 as the default value. PHY Address 0 is assigned by default as the broadcast PHY address, but it can be assigned as a unique PHY address after pulling the B-CAST_OFF strapping pin high or writing a '1' to register 16h, bit [9]. PHY Address bits [4:3] are set to 00 by default. | | | | | | | | |
| 18 29 28 | CONFIG2 CONFIG1 CONFIG0 | lpd/O lpd/O lpd/O | The CONFIG[2:0] strap-in pins are latched at the de-assertion of reset. <table border="1"> <thead> <tr> <th>CONFIG[2:0]</th> <th>Mode</th> </tr> </thead> <tbody> <tr> <td>000</td> <td>MII (default)</td> </tr> <tr> <td>110</td> <td>MII back-to-back</td> </tr> <tr> <td>001 – 101, 111</td> <td>Reserved – not used</td> </tr> </tbody> </table> | CONFIG[2:0] | Mode | 000 | MII (default) | 110 | MII back-to-back | 001 – 101, 111 | Reserved – not used |
| CONFIG[2:0] | Mode | | | | | | | | | | |
| 000 | MII (default) | | | | | | | | | | |
| 110 | MII back-to-back | | | | | | | | | | |
| 001 – 101, 111 | Reserved – not used | | | | | | | | | | |
| 22 | PME_EN | lpd/O | PME output for Wake-on-LAN Pull-up = Enable Pull-down (default) = Disable At the de-assertion of reset, this pin value is latched into register 16h, bit [15]. | | | | | | | | |
| 20 | ISO | lpd/O | Isolate mode Pull-up = Enable Pull-down (default) = Disable At the de-assertion of reset, this pin value is latched into register 0h, bit [10]. | | | | | | | | |
| 16 | DUPLEX | lpu/O | Duplex mode Pull-up (default) = Half-duplex Pull-down = Full-duplex At the de-assertion of reset, this pin value is latched into register 0h, bit [8]. | | | | | | | | |
| 30 | NWAYEN | lpu/O | Nway auto-negotiation enable Pull-up (default) = Enable auto-negotiation Pull-down = Disable auto-negotiation At the de-assertion of reset, this pin value is latched into register 0h, bit [12]. | | | | | | | | |
| 19 | B-CAST_OFF | lpd/O | Broadcast off – for PHY Address 0 Pull-up = PHY Address 0 is set as an unique PHY address Pull-down (default) = PHY Address 0 is set as a broadcast PHY address At the de-assertion of reset, this pin value is latched by the chip. | | | | | | | | |
| 21 | NAND_Tree# | lpu/Opu | NAND tree mode Pull-up (default) = Disable Pull-down = Enable At the de-assertion of reset, this pin value is latched by the chip. | | | | | | | | |

Note:

1. lpu/O = Input with internal pull-up (see “[Electrical Characteristics](#)” for value) during power-up/reset; output pin otherwise.
lpd/O = Input with internal pull-down (see “[Electrical Characteristics](#)” for value) during power-up/reset; output pin otherwise.
lpu/Opu = Input with internal pull-up (see “[Electrical Characteristics](#)” for value) and output with internal pull-up (see “[Electrical Characteristics](#)” for value).

The strap-in pins are latched at the de-assertion of reset. In some systems, the MAC MII receive input pins may drive high/low during power-up or reset, and consequently cause the PHY strap-in pins on the MII signals to be latched to unintended high/low states. In this case, external pull-ups (4.7kΩ) or pull-downs (1.0kΩ) should be added on these PHY strap-in pins to ensure that the intended values are strapped-in correctly.

Pin Configuration – KSZ8091RNB



32-Pin (5mm x 5mm) QFN

Pin Description– KSZ8091RNB

| Pin Number | Pin Name | Type ⁽¹⁾ | Pin Function |
|------------|----------------------------|---------------------|---|
| 1 | GND | Gnd | Ground |
| 2 | VDD_1.2 | P | 1.2V core V _{DD} (power supplied by KSZ8091RNB) Decouple with 2.2μF and 0.1μF capacitors to ground. |
| 3 | VDDA_3.3 | P | 3.3V analog V _{DD} |
| 4 | RXM | I/O | Physical receive or transmit signal (– differential) |
| 5 | RXP | I/O | Physical receive or transmit signal (+ differential) |
| 6 | TXM | I/O | Physical transmit or receive signal (– differential) |
| 7 | TXP | I/O | Physical transmit or receive signal (+ differential) |
| 8 | XO | O | Crystal feedback for 25MHz crystal This pin is a no connect if an oscillator or external clock source is used. |
| 9 | XI | I | 25MHz Mode: 25MHz ±50ppm Crystal / Oscillator / External Clock Input 50MHz Mode: 50MHz ±50ppm Oscillator / External Clock Input |
| 10 | REXT | I | Set PHY transmit output current Connect a 6.49kΩ resistor to ground on this pin. |
| 11 | MDIO | Ipu/Opu | Management Interface (MII) Data I/O This pin has a weak pull-up, is open-drain, and requires an external 1.0kΩ pull-up resistor. |
| 12 | MDC | Ipu | Management Interface (MII) Clock input This clock pin is synchronous to the MDIO data pin. |
| 13 | PHYAD0 | Ipu/O | The pull-up/pull-down value is latched as PHYADDR[0] at the de-assertion of reset. See the “ Strapping Options – KSZ8091RNB ” section for details. |
| 14 | PHYAD1 | Ipd/O | The pull-up/pull-down value is latched as PHYADDR[1] at the de-assertion of reset. See the “ Strapping Options – KSZ8091RNB ” section for details. |
| 15 | RXD1/ PHYAD2 | Ipd/O | RMII mode: RMII Receive Data Output[1] ⁽²⁾ Config mode: The pull-up/pull-down value is latched as PHYADDR[2] at the de-assertion of reset. See the “ Strapping Options – KSZ8091RNB ” section for details. |
| 16 | RXD0/ DUPLEX | Ipu/O | RMII mode: RMII Receive Data Output[0] ⁽²⁾ Config mode: The pull-up/pull-down value is latched as DUPLEX at the de-assertion of reset. See the “ Strapping Options – KSZ8091RNB ” section for details. |
| 17 | VDDIO | P | 3.3V, 2.5V, or 1.8V digital V _{DD} |
| 18 | CRS_DV/ CONFIG2 | Ipd/O | RMII mode: RMII Carrier Sense/Receive Data Valid output Config mode: The pull-up/pull-down value is latched as CONFIG2 at the de-assertion of reset. See the “ Strapping Options – KSZ8091RNB ” section for details. |
| 19 | REF_CLK/ B-CAST_OFF | Ipd/O | RMII mode: 25MHz mode: This pin provides the 50MHz RMII reference clock output to the MAC. See also XI (pin 9). 50MHz mode: This pin is a no connect. See also XI (pin 9). Config mode: The pull-up/pull-down value is latched as B-CAST_OFF at the de-assertion of reset. See the “ Strapping Options – KSZ8091RNB ” section for details. |

| Pin Number | Pin Name | Type ⁽¹⁾ | Pin Function |
|------------|---|---------------------|---|
| 20 | RXER/ ISO | lpd/O | <p>RMII mode: RMII Receive Error output</p> <p>Config mode: The pull-up/pull-down value is latched as ISOLATE at the de-assertion of reset.</p> <p>See the “Strapping Options – KSZ8091RNB” section for details.</p> |
| 21 | INTRP/ PME_N2/ NAND_Tree# | lpu/Opu | <p>Interrupt output: Programmable interrupt output, with register 1Bh as the Interrupt Control/Status register, for programming the interrupt conditions and reading the interrupt status. Register 1Fh, bit [9] sets the interrupt output to active low (default) or active high.</p> <p>PME_N output: Programmable PME_N output (pin option 2). When asserted low, this pin signals that a WOL event has occurred.</p> <p>Config mode: The pull-up/pull-down value is latched as NAND Tree# at the de-assertion of reset.</p> <p>See the “Strapping Options – KSZ8091RNB” section for details.</p> <p>This pin has a weak pull-up and is an open-drain.</p> <p>For Interrupt (when active low) and PME functions, this pin requires an external 1.0kΩ pull-up resistor to VDDIO (digital V_{DD}).</p> |
| 22 | PME_EN | lpd/O | <p>The pull-up/pull-down value is latched as PME_EN at the de-assertion of reset.</p> <p>See the “Strapping Options – KSZ8091RNB” section for details.</p> |
| 23 | TXEN | I | RMII Transmit Enable input |
| 24 | TXD0 | I | RMII Transmit Data Input[0] ⁽³⁾ |
| 25 | TXD1 | I | RMII Transmit Data Input[1] ⁽³⁾ |
| 26 | NC | NC | No connect – This pin is not bonded and can be left floating. |
| 27 | NC | NC | No connect – This pin is not bonded and can be left floating. |
| 28 | CONFIG0 | lpd/O | <p>The pull-up/pull-down value is latched as CONFIG0 at the de-assertion of reset.</p> <p>See the “Strapping Options – KSZ8091RNB” section for details.</p> |
| 29 | CONFIG1 | lpd/O | <p>The pull-up/pull-down value is latched as CONFIG1 at the de-assertion of reset.</p> <p>See the “Strapping Options – KSZ8091RNB” section for details.</p> |

| Pin Number | Pin Name | Type ⁽¹⁾ | Pin Function | | | | | | | | | | | | | | | | | | | | | | | | | | | |
|-----------------|--------------------------------|---------------------|---|-----------------|--|--|---------------|-----------|----------------|----------|------|-----|------------|-----|----|-----------------|--------|----------|-----------------|-----------|----------------|-------------|-----------|----------------|----------|--------|----------|------|-----|----|
| 30 | LED0/ PME_N1/ NWAYEN | Ipu/O | <p>LED output: Programmable LED0 output</p> <p>PME_N Output: Programmable PME_N Output (pin option 1)</p> <p>In this mode, this pin has a weak pull-up, is an open-drain, and requires an external 1.0KΩ pull-up resistor to VDDIO (digital V_{DD}).</p> <p>Config mode: Latched as auto-negotiation enable (register 0h, bit [12]) at the de-assertion of reset.</p> <p>See the “Strapping Options – KSZ8091RNB” section for details.</p> <p>The LED0 pin is programmable using register 1Fh bits [5:4], and is defined as follows.</p> <table border="1"> <thead> <tr> <th colspan="3">LED mode = [00]</th> </tr> <tr> <th>Link/Activity</th> <th>Pin State</th> <th>LED Definition</th> </tr> </thead> <tbody> <tr> <td>No link</td> <td>High</td> <td>OFF</td> </tr> <tr> <td>Link</td> <td>Low</td> <td>ON</td> </tr> <tr> <td>Activity</td> <td>Toggle</td> <td>Blinking</td> </tr> </tbody> </table> <table border="1"> <thead> <tr> <th colspan="3">LED mode = [01]</th> </tr> <tr> <th>Link</th> <th>Pin State</th> <th>LED Definition</th> </tr> </thead> <tbody> <tr> <td>No link</td> <td>High</td> <td>OFF</td> </tr> <tr> <td>Link</td> <td>Low</td> <td>ON</td> </tr> </tbody> </table> <p>LED mode = [10], [11] Reserved</p> | LED mode = [00] | | | Link/Activity | Pin State | LED Definition | No link | High | OFF | Link | Low | ON | Activity | Toggle | Blinking | LED mode = [01] | | | Link | Pin State | LED Definition | No link | High | OFF | Link | Low | ON |
| LED mode = [00] | | | | | | | | | | | | | | | | | | | | | | | | | | | | | | |
| Link/Activity | Pin State | LED Definition | | | | | | | | | | | | | | | | | | | | | | | | | | | | |
| No link | High | OFF | | | | | | | | | | | | | | | | | | | | | | | | | | | | |
| Link | Low | ON | | | | | | | | | | | | | | | | | | | | | | | | | | | | |
| Activity | Toggle | Blinking | | | | | | | | | | | | | | | | | | | | | | | | | | | | |
| LED mode = [01] | | | | | | | | | | | | | | | | | | | | | | | | | | | | | | |
| Link | Pin State | LED Definition | | | | | | | | | | | | | | | | | | | | | | | | | | | | |
| No link | High | OFF | | | | | | | | | | | | | | | | | | | | | | | | | | | | |
| Link | Low | ON | | | | | | | | | | | | | | | | | | | | | | | | | | | | |
| 31 | LED1/ SPEED | Ipu/O | <p>LED output: Programmable LED1 output</p> <p>Config mode: Latched as Speed (register 0h, bit [13]) at the de-assertion of reset.</p> <p>See the “Strapping Options – KSZ8091RNB” section for details.</p> <p>The LED1 pin is programmable using register 1Fh bits [5:4], and is defined as follows.</p> <table border="1"> <thead> <tr> <th colspan="3">LED mode = [00]</th> </tr> <tr> <th>Speed</th> <th>Pin State</th> <th>LED Definition</th> </tr> </thead> <tbody> <tr> <td>10Base-T</td> <td>High</td> <td>OFF</td> </tr> <tr> <td>100Base-TX</td> <td>Low</td> <td>ON</td> </tr> </tbody> </table> <table border="1"> <thead> <tr> <th colspan="3">LED mode = [01]</th> </tr> <tr> <th>Activity</th> <th>Pin State</th> <th>LED Definition</th> </tr> </thead> <tbody> <tr> <td>No activity</td> <td>High</td> <td>OFF</td> </tr> <tr> <td>Activity</td> <td>Toggle</td> <td>Blinking</td> </tr> </tbody> </table> <p>LED mode = [10], [11] Reserved</p> | LED mode = [00] | | | Speed | Pin State | LED Definition | 10Base-T | High | OFF | 100Base-TX | Low | ON | LED mode = [01] | | | Activity | Pin State | LED Definition | No activity | High | OFF | Activity | Toggle | Blinking | | | |
| LED mode = [00] | | | | | | | | | | | | | | | | | | | | | | | | | | | | | | |
| Speed | Pin State | LED Definition | | | | | | | | | | | | | | | | | | | | | | | | | | | | |
| 10Base-T | High | OFF | | | | | | | | | | | | | | | | | | | | | | | | | | | | |
| 100Base-TX | Low | ON | | | | | | | | | | | | | | | | | | | | | | | | | | | | |
| LED mode = [01] | | | | | | | | | | | | | | | | | | | | | | | | | | | | | | |
| Activity | Pin State | LED Definition | | | | | | | | | | | | | | | | | | | | | | | | | | | | |
| No activity | High | OFF | | | | | | | | | | | | | | | | | | | | | | | | | | | | |
| Activity | Toggle | Blinking | | | | | | | | | | | | | | | | | | | | | | | | | | | | |
| 32 | RST# | Ipu | Chip reset (active low) | | | | | | | | | | | | | | | | | | | | | | | | | | | |
| PADDLE | GND | Gnd | Ground | | | | | | | | | | | | | | | | | | | | | | | | | | | |

Notes:

1. P = Power supply.
Gnd = Ground.
I = Input.

O = Output.

I/O = Bi-directional.

Ipu = Input with internal pull-up (see “[Electrical Characteristics](#)” for value).

Ipu/O = Input with internal pull-up (see “[Electrical Characteristics](#)” for value) during power-up/reset; output pin otherwise.

Ipd/O = Input with internal pull-down (see “[Electrical Characteristics](#)” for value) during power-up/reset; output pin otherwise.

Ipu/Opu = Input with internal pull-up (see “[Electrical Characteristics](#)” for value) and output with internal pull-up (see “[Electrical Characteristics](#)” for value).

NC = Pin is not bonded to the die.

2. RMII RX Mode: The RXD[1:0] bits are synchronous with the 50MHz RMII Reference Clock. For each clock period in which CRS_DV is asserted, two bits of recovered data are sent by the PHY to the MAC.
3. RMII TX Mode: The TXD[1:0] bits are synchronous with the 50MHz RMII Reference Clock. For each clock period in which TXEN is asserted, two bits of data are received by the PHY from the MAC.

Strapping Options – KSZ8091RNB

| Pin Number | Pin Name | Type ⁽¹⁾ | Pin Function | | | | | | | | |
|--------------------------|-------------------------------|-------------------------|--|-------------|------|-----|------|-----|-------------------|--------------------------|---------------------|
| 15 14 13 | PHYAD2 PHYAD1 PHYAD0 | lpd/O lpd/O lpu/O | PHYAD[2:0] is latched at de-assertion of reset and is configurable to any value from 0 to 7 with PHY Address 1 as the default value. PHY Address 0 is assigned by default as the broadcast PHY address, but it can be assigned as a unique PHY address after pulling the B-CAST_OFF strapping pin high or writing a '1' to register 16h, bit [9]. PHY Address bits [4:3] are set to 00 by default. | | | | | | | | |
| 18 29 28 | CONFIG2 CONFIG1 CONFIG0 | lpd/O lpd/O lpd/O | The CONFIG[2:0] strap-in pins are latched at the de-assertion of reset. <table border="1"> <thead> <tr> <th>CONFIG[2:0]</th> <th>Mode</th> </tr> </thead> <tbody> <tr> <td>001</td> <td>RMII</td> </tr> <tr> <td>101</td> <td>RMII back-to-back</td> </tr> <tr> <td>000, 010 – 100, 110, 111</td> <td>Reserved – not used</td> </tr> </tbody> </table> | CONFIG[2:0] | Mode | 001 | RMII | 101 | RMII back-to-back | 000, 010 – 100, 110, 111 | Reserved – not used |
| CONFIG[2:0] | Mode | | | | | | | | | | |
| 001 | RMII | | | | | | | | | | |
| 101 | RMII back-to-back | | | | | | | | | | |
| 000, 010 – 100, 110, 111 | Reserved – not used | | | | | | | | | | |
| 22 | PME_EN | lpd/O | PME output for Wake-on-LAN Pull-up = Enable Pull-down (default) = Disable At the de-assertion of reset, this pin value is latched into register 16h, bit [15]. | | | | | | | | |
| 20 | ISO | lpd/O | Isolate mode Pull-up = Enable Pull-down (default) = Disable At the de-assertion of reset, this pin value is latched into register 0h, bit [10]. | | | | | | | | |
| 31 | SPEED | lpu/O | Speed mode Pull-up (default) = 100Mbps Pull-down = 10Mbps At the de-assertion of reset, this pin value is latched into register 0h, bit [13] as the speed select, and also is latched into register 4h (auto-negotiation advertisement) as the speed capability support. | | | | | | | | |
| 16 | DUPLEX | lpu/O | Duplex mode Pull-up (default) = Half-duplex Pull-down = Full-duplex At the de-assertion of reset, this pin value is latched into register 0h, bit [8]. | | | | | | | | |
| 30 | NWAYEN | lpu/O | Nway auto-negotiation enable Pull-up (default) = Enable auto-negotiation Pull-down = Disable auto-negotiation At the de-assertion of reset, this pin value is latched into register 0h, bit [12]. | | | | | | | | |
| 19 | B-CAST_OFF | lpd/O | Broadcast off – for PHY Address 0 Pull-up = PHY Address 0 is set as an unique PHY address Pull-down (default) = PHY Address 0 is set as a broadcast PHY address At the de-assertion of reset, this pin value is latched by the chip. | | | | | | | | |
| 21 | NAND_Tree# | lpu/Opu | NAND tree mode Pull-up (default) = Disable Pull-down = Enable At the de-assertion of reset, this pin value is latched by the chip. | | | | | | | | |

Note:

1. lpu/O = Input with internal pull-up (see “[Electrical Characteristics](#)” for value) during power-up/reset; output pin otherwise.
lpd/O = Input with internal pull-down (see “[Electrical Characteristics](#)” for value) during power-up/reset; output pin otherwise.

Ipu/Opu = Input with internal pull-up (see “[Electrical Characteristics](#)” for value) and output with internal pull-up (see “[Electrical Characteristics](#)” for value).

The strap-in pins are latched at the de-assertion of reset. In some systems, the MAC RMII receive input pins may drive high/low during power-up or reset, and consequently cause the PHY strap-in pins on the RMII signals to be latched to unintended high/low states. In this case, external pull-ups (4.7k Ω) or pull-downs (1.0k Ω) should be added on these PHY strap-in pins to ensure that the intended values are strapped-in correctly.

Functional Description: 10Base-T/100Base-TX Transceiver

The KSZ8091 is an integrated single 3.3V supply Fast Ethernet transceiver. It is fully compliant with the IEEE 802.3 Specification, and reduces board cost and simplifies board layout by using on-chip termination resistors for the two differential pairs and by integrating the regulator to supply the 1.2V core.

On the copper media side, the KSZ8091 supports 10Base-T and 100Base-TX for transmission and reception of data over a standard CAT-5 unshielded twisted pair (UTP) cable, and HP Auto MDI/MDI-X for reliable detection of and correction for straight-through and crossover cables.

On the MAC processor side, the KSZ8091MNX offers the Media Independent Interface (MII) and the KSZ8091RNB offers the Reduced Media Independent Interface (RMII) for direct connection with MII and RMII compliant Ethernet MAC processors and switches, respectively.

The MII management bus option gives the MAC processor complete access to the KSZ8091 control and status registers. Additionally, an interrupt pin eliminates the need for the processor to poll for PHY status change.

The KSZ8091MNX/RNB is used to refer to both KSZ8091MNX and KSZ8091RNB versions in this data sheet.

100Base-TX Transmit

The 100Base-TX transmit function performs parallel-to-serial conversion, 4B/5B encoding, scrambling, NRZ-to-NRZI conversion, and MLT3 encoding and transmission.

The circuitry starts with a parallel-to-serial conversion, which converts the MII/RMII data from the MAC into a 125MHz serial bit stream. The data and control stream is then converted into 4B/5B coding and followed by a scrambler. The serialized data is further converted from NRZ-to-NRZI format, and then transmitted in MLT3 current output. The output current is set by an external 6.49k Ω 1% resistor for the 1:1 transformer ratio.

The output signal has a typical rise/fall time of 4ns and complies with the ANSI TP-PMD standard regarding amplitude balance, overshoot, and timing jitter. The wave-shaped 10Base-T output is also incorporated into the 100Base-TX transmitter.

100Base-TX Receive

The 100Base-TX receiver function performs adaptive equalization, DC restoration, MLT3-to-NRZI conversion, data and clock recovery, NRZI-to-NRZ conversion, de-scrambling, 4B/5B decoding, and serial-to-parallel conversion.

The receiving side starts with the equalization filter to compensate for inter-symbol interference (ISI) over the twisted pair cable. Because the amplitude loss and phase distortion is a function of the cable length, the equalizer must adjust its characteristics to optimize performance. In this design, the variable equalizer makes an initial estimation based on comparisons of incoming signal strength against some known cable characteristics, then tunes itself for optimization. This is an ongoing process and self-adjusts against environmental changes such as temperature variations.

Next, the equalized signal goes through a DC-restoration and data-conversion block. The DC-restoration circuit compensates for the effect of baseline wander and improves the dynamic range. The differential data-conversion circuit converts MLT3 format back to NRZI. The slicing threshold is also adaptive.

The clock-recovery circuit extracts the 125MHz clock from the edges of the NRZI signal. This recovered clock is then used to convert the NRZI signal to NRZ format. This signal is sent through the de-scrambler, then the 4B/5B decoder. Finally, the NRZ serial data is converted to MII/RMII format and provided as the input data to the MAC.

Scrambler/De-Scrambler (100Base-TX Only)

The scrambler spreads the power spectrum of the transmitted signal to reduce electromagnetic interference (EMI) and baseline wander. The de-scrambler recovers the scrambled signal.

10Base-T Transmit

The 10Base-T drivers are incorporated with the 100Base-TX drivers to allow for transmission using the same magnetic. The drivers perform internal wave-shaping and pre-emphasis, and output 10Base-T signals with a typical amplitude of 2.5V peak for standard 10Base-T mode and 1.75V peak for energy-efficient 10Base-Te mode. The 10Base-T/10Base-Te signals have harmonic contents that are at least 27dB below the fundamental frequency when driven by an all-ones Manchester-encoded signal.

10Base-T Receive

On the receive side, input buffer and level detecting squelch circuits are used. A differential input receiver circuit and a phase-locked loop (PLL) performs the decoding function. The Manchester-encoded data stream is separated into clock signal and NRZ data. A squelch circuit rejects signals with levels less than 400mV, or with short pulse widths, to prevent noise at the RXP and RXM inputs from falsely triggering the decoder. When the input exceeds the squelch limit, the PLL locks onto the incoming signal and the KSZ8091MNX/RNB decodes a data frame. The receive clock is kept active during idle periods between data receptions.

SQE and Jabber Function (10Base-T Only)

In 10Base-T operation, a short pulse is put out on the COL pin after each frame is transmitted. This SQE test is needed to test the 10Base-T transmit/receive path. If transmit enable (TXEN) is high for more than 20ms (jabbering), the 10Base-T transmitter is disabled and COL is asserted high. If TXEN is then driven low for more than 250ms, the 10Base-T transmitter is re-enabled and COL is de-asserted (returns to low).

PLL Clock Synthesizer

The KSZ8091MNX/RNB generates all internal clocks and all external clocks for system timing from an external 25MHz crystal, oscillator, or reference clock. For the KSZ8091RNB in RMII 50MHz clock mode, these clocks are generated from an external 50MHz oscillator or system clock.

Auto-Negotiation

The KSZ8091MNX/RNB conforms to the auto-negotiation protocol, defined in Clause 28 of the IEEE 802.3 Specification.

Auto-negotiation allows unshielded twisted pair (UTP) link partners to select the highest common mode of operation.

During auto-negotiation, link partners advertise capabilities across the UTP link to each other and then compare their own capabilities with those they received from their link partners. The highest speed and duplex setting that is common to the two link partners is selected as the mode of operation.

The following list shows the speed and duplex operation mode from highest to lowest priority.

- Priority 1: 100Base-TX, full-duplex
- Priority 2: 100Base-TX, half-duplex
- Priority 3: 10Base-T, full-duplex
- Priority 4: 10Base-T, half-duplex

If auto-negotiation is not supported or the KSZ8091MNX/RNB link partner is forced to bypass auto-negotiation, then the KSZ8091MNX/RNB sets its operating mode by observing the signal at its receiver. This is known as parallel detection, which allows the KSZ8091MNX/RNB to establish a link by listening for a fixed signal protocol in the absence of the auto-negotiation advertisement protocol.

Auto-negotiation is enabled by either hardware pin strapping (NWAYEN, pin 30) or software (register 0h, bit [12]).

By default, auto-negotiation is enabled after power-up or hardware reset. After that, auto-negotiation can be enabled or disabled by register 0h, bit [12]. If auto-negotiation is disabled, the speed is set by register 0h, bit [13], and the duplex is set by register 0h, bit [8].

The auto-negotiation link-up process is shown in [Figure 1](#).

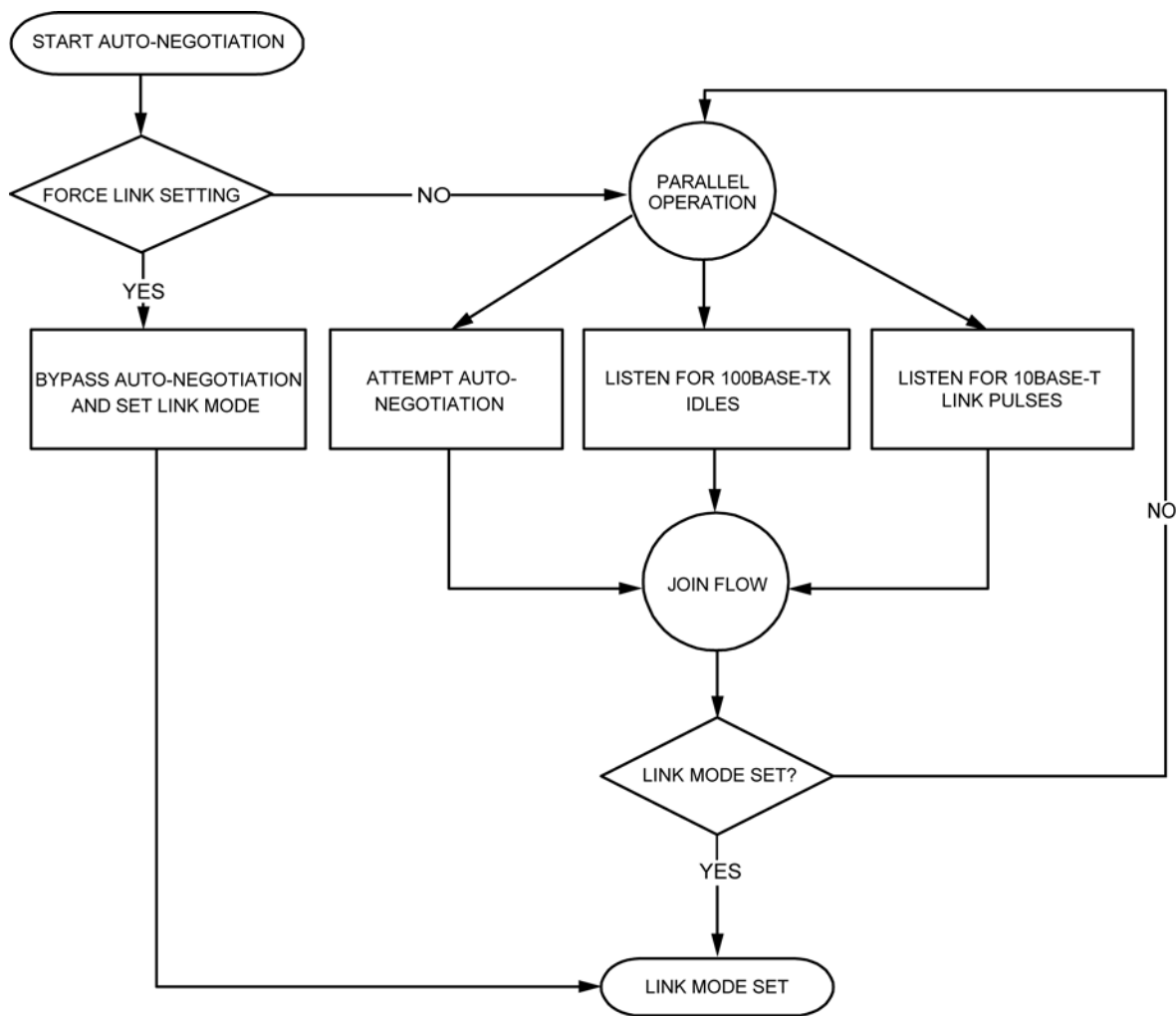


Figure 1. Auto-Negotiation Flow Chart

MII Interface (KSZ8091MNX only)

The Media Independent Interface (MII) is compliant with the IEEE 802.3 Specification. It provides a common interface between MII PHYs and MACs, and has the following key characteristics:

- Pin count is 16 pins (7 pins for data transmission, 7 pins for data reception, and 2 pins for carrier and collision indication).
- 10Mbps and 100Mbps data rates are supported at both half- and full-duplex.
- Data transmission and reception are independent and belong to separate signal groups.
- Transmit data and receive data are each 4 bits wide, a nibble.

By default, the KSZ8091MNX is configured to MII mode after it is powered up or hardware reset with the following:

- A 25MHz crystal connected to XI, XO (pins 9, 8), or an external 25MHz clock source (oscillator) connected to XI.
- The CONFIG[2:0] strapping pins (pins 18, 29, 28) set to 000 (default setting).

MII Signal Definition

Table 1 describes the MII signals. Refer to Clause 22 of the IEEE 802.3 Specification for detailed information.

| MII Signal Name | Direction (with respect to PHY, KSZ8091MNX signal) | Direction (with respect to MAC) | Description |
|-----------------|--|------------------------------------|---|
| TXC | Output | Input | Transmit Clock (2.5MHz for 10Mbps; 25MHz for 100Mbps) |
| TXEN | Input | Output | Transmit Enable |
| TXD[3:0] | Input | Output | Transmit Data[3:0] |
| TXER | Input | Output, or (not implemented) | Transmit Error (KSZ8091MNX implements only the EEE function for this pin. See Transmit Error description below for details.) |
| RXC | Output | Input | Receive Clock (2.5MHz for 10Mbps; 25MHz for 100Mbps) |
| RXDV | Output | Input | Receive Data Valid |
| RXD[3:0] | Output | Input | Receive Data[3:0] |
| RXER | Output | Input, or (not required) | Receive Error |
| CRS | Output | Input | Carrier Sense |
| COL | Output | Input | Collision Detection |

Table 1. MII Signal Definition

Transmit Clock (TXC)

TXC is sourced by the PHY. It is a continuous clock that provides the timing reference for TXEN, TXD[3:0] and TXER. TXC is 2.5MHz for 10Mbps operation and 25MHz for 100Mbps operation.

Transmit Enable (TXEN)

TXEN indicates that the MAC is presenting nibbles on TXD[3:0] for transmission. It is asserted synchronously with the first nibble of the preamble and remains asserted while all nibbles to be transmitted are presented on the MII. It is negated before the first TXC following the final nibble of a frame.

TXEN transitions synchronously with respect to TXC.

Transmit Data[3:0] (TXD[3:0])

When TXEN is asserted, TXD[3:0] are the data nibbles presented by the MAC and accepted by the PHY for transmission. When TXEN is de-asserted, the MAC drives TXD[3:0] to either 0000 for the idle state (non-EEE mode) or 0001 for the LPI state (EEE mode).

TXD[3:0] transitions synchronously with respect to TXC.

Transmit Error (TXER)

TXER is implemented only for the EEE function.

For EEE mode, this pin is driven by the EEE-MAC to put the KSZ8091MNX transmit into the LPI state.

For non-EEE mode, this pin is not defined for error transmission from MAC to KSZ8091MNX and can be left as a no connect.

TXER transitions synchronously with respect to TXC.

Receive Clock (RXC)

RXC provides the timing reference for RXDV, RXD[3:0] and RXER.

- In 10Mbps mode, RXC is recovered from the line while the carrier is active. When the line is idle or the link is down, RXC is derived from the PHY's reference clock.

- In 100Mbps mode, RXC is recovered continuously from the line. If the link is down, RXC is derived from the PHY's reference clock.

RXC is 2.5MHz for 10Mbps operation and 25MHz for 100Mbps operation.

Receive Data Valid (RXDV)

RXDV is driven by the PHY to indicate that the PHY is presenting recovered and decoded nibbles on RXD[3:0].

- In 10Mbps mode, RXDV is asserted with the first nibble of the start-of-frame delimiter (SFD), 5D, and remains asserted until the end of the frame.
- In 100Mbps mode, RXDV is asserted from the first nibble of the preamble to the last nibble of the frame.

RXDV transitions synchronously with respect to RXC.

Receive Data[3:0] (RXD[3:0])

For each clock period in which RXDV is asserted, RXD[3:0] transfers a nibble of recovered data from the PHY.

When RXDV is de-asserted, the PHY drives RXD[3:0] to either 0000 for the idle state (non-EEE mode) or 0001 for the LPI state (EEE mode).

RXD[3:0] transitions synchronously with respect to RXC.

Receive Error (RXER)

When RXDV is asserted, RXER is asserted for one or more RXC periods to indicate that a symbol error (for example, a coding error that a PHY can detect that may otherwise be undetectable by the MAC sub-layer) is detected somewhere in the frame that is being transferred from the PHY to the MAC.

In EEE mode only, when RXDV is de-asserted, RXER is driven by the PHY to inform the MAC that the KSZ8091MNX receive is in the LPI state.

RXER transitions synchronously with respect to RXC.

Carrier Sense (CRS)

CRS is asserted and de-asserted as follows:

- In 10Mbps mode, CRS assertion is based on the reception of valid preambles. CRS de-assertion is based on the reception of an end-of-frame (EOF) marker.
- In 100Mbps mode, CRS is asserted when a start-of-stream delimiter or /J/K symbol pair is detected. CRS is de-asserted when an end-of-stream delimiter or /T/R symbol pair is detected. Additionally, the PMA layer de-asserts CRS if IDLE symbols are received without /T/R.

Collision (COL)

COL is asserted in half-duplex mode whenever the transmitter and receiver are simultaneously active on the line. This informs the MAC that a collision has occurred during its transmission to the PHY.

COL transitions asynchronously with respect to TXC and RXC.

MII Signal Diagram

The KSZ8091MNX MII pin connections to the MAC are shown in [Figure 2](#).

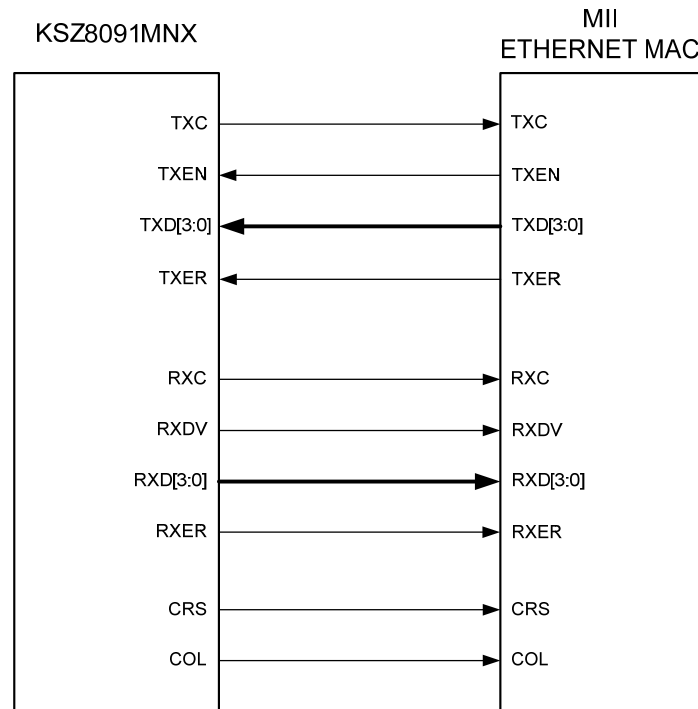


Figure 2. KSZ8091MNX MII Interface

RMII Data Interface (KSZ8091RNB only)

The Reduced Media Independent Interface (RMII) specifies a low pin count Media Independent Interface (MII). It provides a common interface between physical layer and MAC layer devices, and has the following key characteristics:

- Pin count is 8 pins (3 pins for data transmission, 4 pins for data reception, and 1 pin for the 50MHz reference clock).
- 10Mbps and 100Mbps data rates are supported at both half- and full-duplex.
- Data transmission and reception are independent and belong to separate signal groups.
- Transmit data and receive data are each 2 bits wide, a dibit.

RMII – 25MHz Clock Mode

The KSZ8091RNB is configured to RMII – 25MHz clock mode after it is powered up or hardware reset with the following:

- A 25MHz crystal connected to XI, XO (pins 9, 8), or an external 25MHz clock source (oscillator) connected to XI.
- The CONFIG[2:0] strapping pins (pins 18, 29, 28) set to 001.
- Register 1Fh, bit [7] is set to 0 (default value) to select 25MHz clock mode.

RMII – 50MHz Clock Mode

The KSZ8091RNB is configured to RMII – 50MHz clock mode after it is powered up or hardware reset with the following:

- An external 50MHz clock source (oscillator) connected to XI (pin 9).
- The CONFIG[2:0] strapping pins (pins 18, 29, 28) set to 001.
- Register 1Fh, bit [7] is set to 1 to select 50MHz clock mode.

RMII Signal Definition

Table 2 describes the RMII signals. Refer to RMII Specification v1.2 for detailed information.

| RMII Signal Name | Direction (with respect to PHY, KSZ8091RNB signal) | Direction (with respect to MAC) | Description |
|------------------|--|------------------------------------|--|
| REF_CLK | Output (25MHz clock mode) / <no connect> (50MHz clock mode) | Input/ Input or <no connect> | Synchronous 50MHz reference clock for receive, transmit, and control interface |
| TXEN | Input | Output | Transmit Enable |
| TXD[1:0] | Input | Output | Transmit Data[1:0] |
| CRS_DV | Output | Input | Carrier Sense/Receive Data Valid |
| RXD[1:0] | Output | Input | Receive Data[1:0] |
| RXER | Output | Input, or (not required) | Receive Error |

Table 2. RMII Signal Definition

Reference Clock (REF_CLK)

REF_CLK is a continuous 50MHz clock that provides the timing reference for TXEN, TXD[1:0], CRS_DV, RXD[1:0] and RX_ER.

For 25MHz clock mode, the KSZ8091RNB generates and outputs the 50MHz RMII REF_CLK to the MAC at REF_CLK (pin 19).

For 50MHz clock mode, the KSZ8091RNB takes in the 50MHz RMII REF_CLK from the MAC or system board at XI (pin 9) and leaves the REF_CLK (pin 19) as a no connect.

Transmit Enable (TXEN)

TXEN indicates that the MAC is presenting dibits on TXD[1:0] for transmission. It is asserted synchronously with the first dibit of the preamble and remains asserted while all dibits to be transmitted are presented on the RMII. It is negated before the first REF_CLK following the final dibit of a frame.

TXEN transitions synchronously with respect to REF_CLK.

Transmit Data[1:0] (TXD[1:0])

When TXEN is asserted, TXD[1:0] are the data dibits presented by the MAC and accepted by the PHY for transmission.

When TXEN is de-asserted, the MAC drives TXD[1:0] to either 00 for the idle state (non-EEE mode) or 01 for the LPI state (EEE mode).

TXD[1:0] transitions synchronously with respect to REF_CLK.

Carrier Sense / Receive Data Valid (CRS_DV)

The PHY asserts CRS_DV when the receive medium is non-idle. It is asserted asynchronously when a carrier is detected. This happens when squelch is passed in 10Mbps mode, and when two non-contiguous 0s in 10 bits are detected in 100Mbps mode. Loss of carrier results in the de-assertion of CRS_DV.

While carrier detection criteria are met, CRS_DV remains asserted continuously from the first recovered dibit of the frame through the final recovered dibit. It is negated before the first REF_CLK that follows the final dibit. The data on RXD[1:0] is considered valid after CRS_DV is asserted. However, because the assertion of CRS_DV is asynchronous relative to REF_CLK, the data on RXD[1:0] is 00 until receive signals are properly decoded.

Receive Data[1:0] (RXD[1:0])

For each clock period in which CRS_DV is asserted, RXD[1:0] transfers a dibit of recovered data from the PHY.

When CRS_DV is de-asserted, the PHY drives RXD[1:0] to either 00 for the idle state (non-EEE mode) or 01 for the LPI state (EEE mode).

RXD[1:0] transitions synchronously with respect to REF_CLK.

Receive Error (RXER)

When CRS_DV is asserted, RXER is asserted for one or more REF_CLK periods to indicate that a symbol error (for example, a coding error that a PHY can detect that may otherwise be undetectable by the MAC sub-layer) is detected somewhere in the frame that is being transferred from the PHY to the MAC.

RXER transitions synchronously with respect to REF_CLK.

Collision Detection (COL)

The MAC regenerates the COL signal of the MII from TXEN and CRS_DV.

RMII Signal Diagram

The KSZ8091RNB RMII pin connections to the MAC for 25MHz clock mode are shown in [Figure 3](#). The connections for 50MHz clock mode are shown in [Figure 4](#).

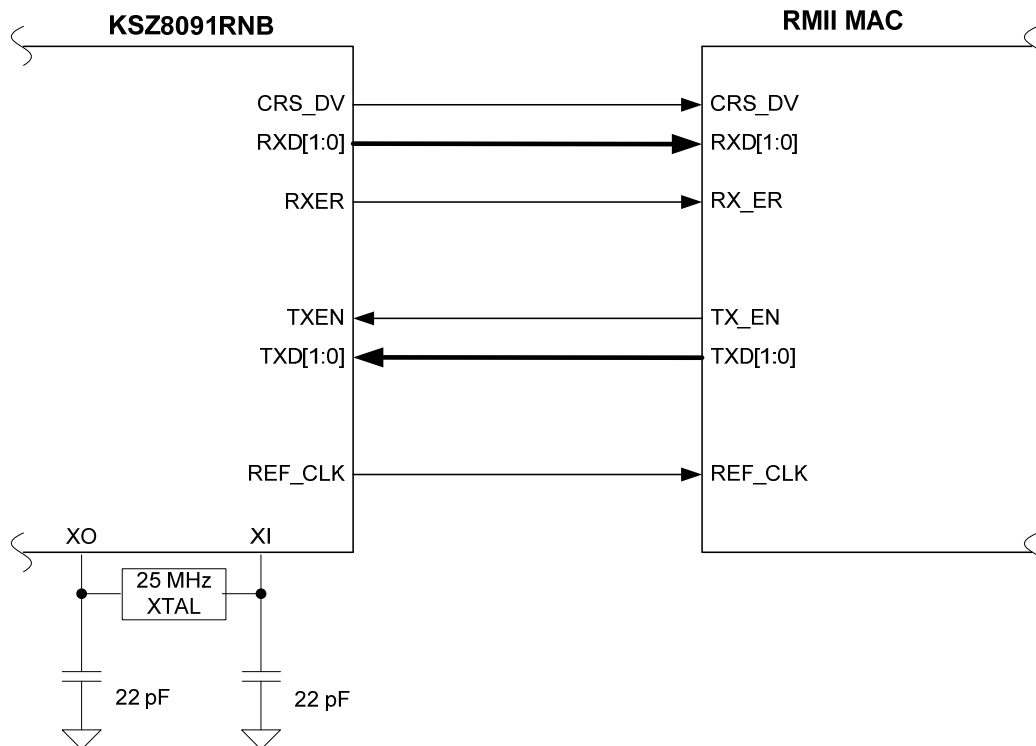


Figure 3. KSZ8091RNB RMII Interface (25MHz Clock Mode)

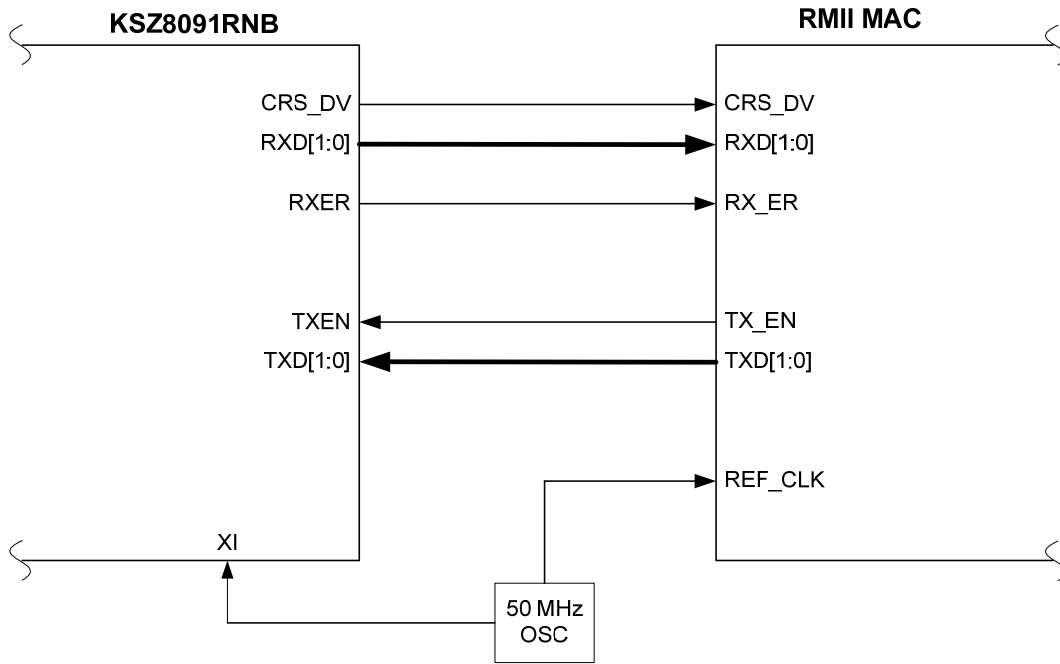


Figure 4. KSZ8091RNB RMI Interface (50MHz Clock Mode)

Back-to-Back Mode – 100Mbps Copper Repeater

Two KSZ8091MNX/RNB devices can be connected back-to-back to form a 100Base-TX copper repeater.

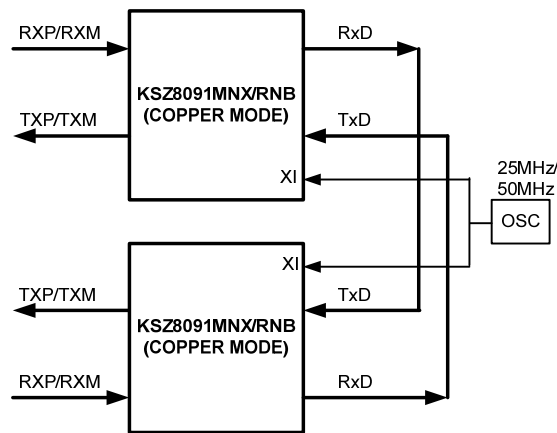


Figure 5. KSZ8091MNX/RNB to KSZ8091MNX/RNB Back-to-Back Copper Repeater

MII Back-to-Back Mode (KSZ8091MNX only)

In MII back-to-back mode, a KSZ8091MNX interfaces with another KSZ8091MNX to provide a complete 100Mbps copper repeater solution.

The KSZ8091MNX devices are configured to MII back-to-back mode after power-up or reset with the following:

- Strapping pin CONFIG[2:0] (pins 18, 29, 28) set to 110
- A common 25MHz reference clock connected to XI (pin 9) of both KSZ8091MNX devices
- MII signals connected as shown in [Table 3](#)

| KSZ8091MNX (100Base-TX copper) [Device 1] | | | KSZ8091MNX (100Base-TX copper) [Device 2] | | |
|--|------------|----------|--|------------|----------|
| Pin Name | Pin Number | Pin Type | Pin Name | Pin Number | Pin Type |
| RXC | 19 | Output | TXC | 22 | Input |
| RXDV | 18 | Output | TXEN | 23 | Input |
| RXD3 | 13 | Output | TXD3 | 27 | Input |
| RXD2 | 14 | Output | TXD2 | 26 | Input |
| RXD1 | 15 | Output | TXD1 | 25 | Input |
| RXD0 | 16 | Output | TXD0 | 24 | Input |
| TXC | 22 | Input | RXC | 19 | Output |
| TXEN | 23 | Input | RXDV | 18 | Output |
| TXD3 | 27 | Input | RXD3 | 13 | Output |
| TXD2 | 26 | Input | RXD2 | 14 | Output |
| TXD1 | 25 | Input | RXD1 | 15 | Output |
| TXD0 | 24 | Input | RXD0 | 16 | Output |

Table 3. MII Signal Connection for MII Back-to-Back Mode (100Base-TX Copper Repeater)

RMII Back-to-Back Mode (KSZ8091RNB only)

In RMII back-to-back mode, a KSZ8091RNB interfaces with another KSZ8091RNB to provide a complete 100Mbps copper repeater solution.

The KSZ8091RNB devices are configured to RMII back-to-back mode after power-up or reset with the following:

- Strapping pin CONFIG[2:0] (pins 18, 29, 28) set to 101
- A common 50MHz reference clock connected to XI (pin 9) of both KSZ8091RNB devices
- RMII signals connected as shown in [Table 4](#)

| KSZ8091RNB (100Base-TX copper) [Device 1] | | | KSZ8091RNB (100Base-TX copper) [Device 2] | | |
|--|------------|----------|--|------------|----------|
| Pin Name | Pin Number | Pin Type | Pin Name | Pin Number | Pin Type |
| CRSDV | 18 | Output | TXEN | 23 | Input |
| RXD1 | 15 | Output | TXD1 | 25 | Input |
| RXD0 | 16 | Output | TXD0 | 24 | Input |
| TXEN | 23 | Input | CRSDV | 18 | Output |
| TXD1 | 25 | Input | RXD1 | 15 | Output |
| TXD0 | 24 | Input | RXD0 | 16 | Output |

Table 4. RMII Signal Connection for RMII Back-to-Back Mode (100Base-TX Copper Repeater)

MII Management (MIIM) Interface

The KSZ8091MNX/RNB supports the IEEE 802.3 MII management interface, also known as the Management Data Input/Output (MDIO) interface. This interface allows an upper-layer device, such as a MAC processor, to monitor and control the state of the KSZ8091MNX/RNB. An external device with MIIM capability is used to read the PHY status and/or configure the PHY settings. More details about the MIIM interface can be found in Clause 22.2.4 of the IEEE 802.3 Specification.

The MIIM interface consists of the following:

- A physical connection that incorporates the clock line (MDC) and the data line (MDIO).
- A specific protocol that operates across the physical connection mentioned earlier, which allows the external controller to communicate with one or more PHY devices.
- A 32-register address space for direct access to IEEE-defined registers and vendor-specific registers, and for indirect access to MMD addresses and registers. See the “[Register Map](#)” section.

As the default, the KSZ8091MNX/RNB supports unique PHY addresses 1 to 7, and broadcast PHY address 0. The latter is defined in the IEEE 802.3 Specification, and can be used to read/write to a single KSZ8091MNX/RNB device, or write to multiple KSZ8091MNX/RNB devices simultaneously.

PHY address 0 can optionally be disabled as the broadcast address by either hardware pin strapping (B-CAST_OFF, pin 19) or software (register 16h, bit [9]), and assigned as a unique PHY address.

The PHYAD[2:0] strapping pins are used to assign a unique PHY address between 0 and 7 to each KSZ8091MNX/RNB device.

[Table 5](#) shows the MII management frame format for the KSZ8091MNX/RNB.

| | Preamble | Start of Frame | Read/Write OP Code | PHY Address Bits [4:0] | REG Address Bits [4:0] | TA | Data Bits [15:0] | Idle |
|--------------|----------|----------------|--------------------|------------------------|------------------------|----|-------------------|------|
| Read | 32 1's | 01 | 10 | 00AAA | RRRRR | Z0 | DDDDDDDD_DDDDDDDD | Z |
| Write | 32 1's | 01 | 01 | 00AAA | RRRRR | 10 | DDDDDDDD_DDDDDDDD | Z |

Table 5. MII Management Frame Format for the KSZ8091MNX/RNB

Interrupt (INTRP)

INTRP (pin 21) is an optional interrupt signal that is used to inform the external controller that there has been a status update to the KSZ8091MNX/RNB PHY register. Bits [15:8] of register 1Bh are the interrupt control bits to enable and disable the conditions for asserting the INTRP signal. Bits [7:0] of register 1Bh are the interrupt status bits to indicate which interrupt conditions have occurred. The interrupt status bits are cleared after reading register 1Bh.

Bit [9] of register 1Fh sets the interrupt level to active high or active low. The default is active low.

The MII management bus option gives the MAC processor complete access to the KSZ8091MNX/RNB control and status registers. Additionally, an interrupt pin eliminates the need for the processor to poll the PHY for status change.

HP Auto MDI/MDI-X

HP Auto MDI/MDI-X configuration eliminates the need to decide whether to use a straight cable or a crossover cable between the KSZ8091MNX/RNB and its link partner. This feature allows the KSZ8091MNX/RNB to use either type of cable to connect with a link partner that is in either MDI or MDI-X mode. The auto-sense function detects transmit and receive pairs from the link partner and assigns transmit and receive pairs to the KSZ8091MNX/RNB accordingly.

HP Auto MDI/MDI-X is enabled by default. It is disabled by writing a '1' to register 1Fh, bit [13]. MDI and MDI-X mode is selected by register 1Fh, bit [14] if HP Auto MDI/MDI-X is disabled.

An isolation transformer with symmetrical transmit and receive data paths is recommended to support Auto MDI/MDI-X.

[Table 6](#) shows how the IEEE 802.3 Standard defines MDI and MDI-X.

| MDI | | MDI-X | |
|-----------|--------|-----------|--------|
| RJ-45 Pin | Signal | RJ-45 Pin | Signal |
| 1 | TX+ | 1 | RX+ |
| 2 | TX- | 2 | RX- |
| 3 | RX+ | 3 | TX+ |
| 6 | RX- | 6 | TX- |

Table 6. MDI/MDI-X Pin Definition

Straight Cable

A straight cable connects an MDI device to an MDI-X device, or an MDI-X device to an MDI device. [Figure 6](#) shows a typical straight cable connection between a NIC card (MDI device) and a switch or hub (MDI-X device).

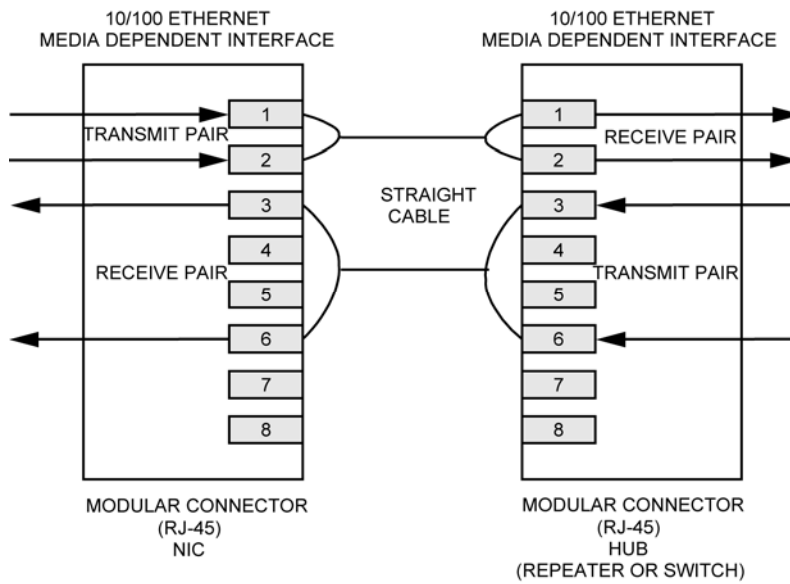


Figure 6. Typical Straight Cable Connection

Crossover Cable

A crossover cable connects an MDI device to another MDI device, or an MDI-X device to another MDI-X device. Figure 7 shows a typical crossover cable connection between two switches or hubs (two MDI-X devices).

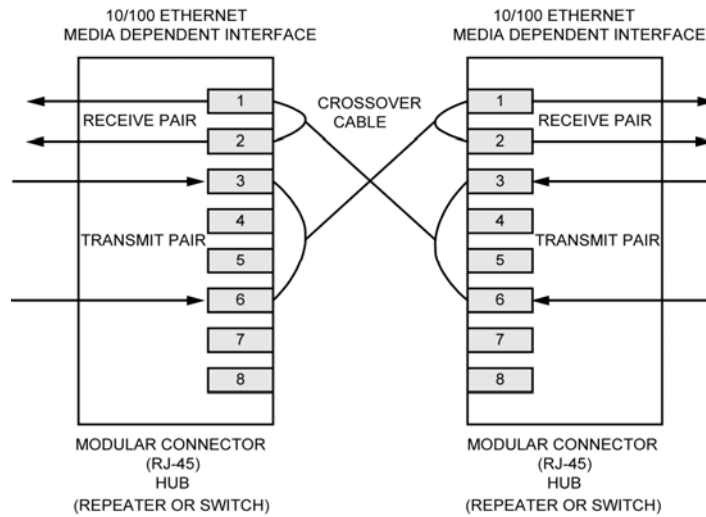


Figure 7. Typical Crossover Cable Connection

Loopback Mode

The KSZ8091MNX/RNB supports the following loopback operations to verify analog and/or digital data paths.

- Local (digital) loopback
- Remote (analog) loopback

Local (Digital) Loopback

This loopback mode checks the MII/RMII transmit and receive data paths between the KSZ8091MNX/RNB and the external MAC, and is supported for both speeds (10/100Mbps) at full-duplex.

The loopback data path is shown in Figure 8.

1. The MII/RMII MAC transmits frames to the KSZ8091MNX/RNB.
2. Frames are wrapped around inside the KSZ8091MNX/RNB.
3. The KSZ8091MNX/RNB transmits frames back to the MII/RMII MAC.

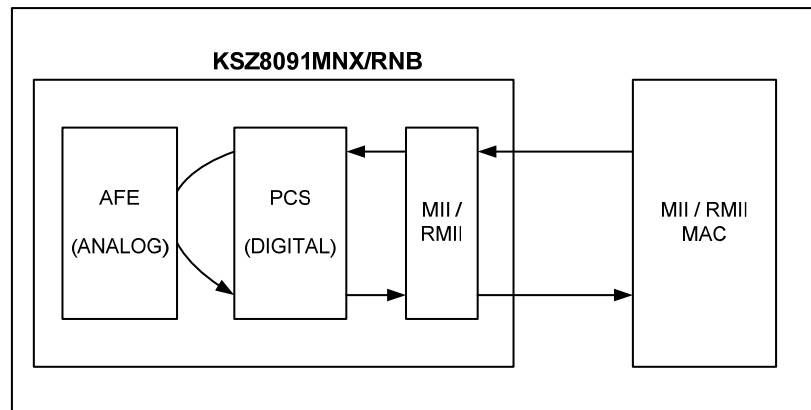


Figure 8. Local (Digital) Loopback

The following programming action and register settings are used for local loopback mode.

For 10/100Mbps loopback,

Set register 0h,

- Bit [14] = 1 // Enable local loopback mode
- Bit [13] = 0/1 // Select 10Mbps/100Mbps speed
- Bit [12] = 0 // Disable auto-negotiation
- Bit [8] = 1 // Select full-duplex mode

Remote (Analog) Loopback

This loopback mode checks the line (differential pairs, transformer, RJ-45 connector, Ethernet cable) transmit and receive data paths between the KSZ8091MNX/RNB and its link partner, and is supported for 100Base-TX full-duplex mode only.

The loopback data path is shown in [Figure 9](#).

1. The Fast Ethernet (100Base-TX) PHY link partner transmits frames to the KSZ8091MNX/RNB.
2. Frames are wrapped around inside the KSZ8091MNX/RNB.
3. The KSZ8091MNX/RNB transmits frames back to the Fast Ethernet (100Base-TX) PHY link partner.

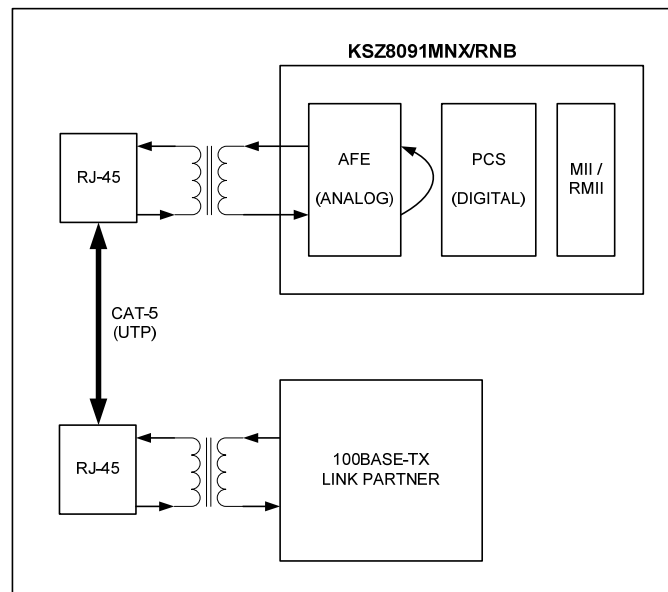


Figure 9. Remote (Analog) Loopback

The following programming steps and register settings are used for remote loopback mode.

1. Set Register 0h,
 - Bits [13] = 1 // Select 100Mbps speed
 - Bit [12] = 0 // Disable auto-negotiation
 - Bit [8] = 1 // Select full-duplex mode

Or just auto-negotiate and link up at 100Base-TX full-duplex mode with the link partner.
2. Set Register 1Fh,
 - Bit [2] = 1 // Enable remote loopback mode

LinkMD[®] Cable Diagnostic

The LinkMD function uses time-domain reflectometry (TDR) to analyze the cabling plant for common cabling problems. These include open circuits, short circuits, and impedance mismatches.

LinkMD works by sending a pulse of known amplitude and duration down the MDI or MDI-X pair, then analyzing the shape of the reflected signal to determine the type of fault. The time duration for the reflected signal to return provides the approximate distance to the cabling fault. The LinkMD function processes this TDR information and presents it as a numerical value that can be translated to a cable distance.

LinkMD is initiated by accessing register 1Dh, the LinkMD Cable Diagnostic register, in conjunction with register 1Fh, the PHY Control 2 register. The latter register is used to disable Auto MDI/MDI-X and to select either MDI or MDI-X as the cable differential pair for testing.

NAND Tree Support

The KSZ8091MNX/RNB provides parametric NAND tree support for fault detection between chip I/Os and board. The NAND tree is a chain of nested NAND gates in which each KSZ8091MNX/RNB digital I/O (NAND tree input) pin is an input to one NAND gate along the chain. At the end of the chain, the CRS/CONFIG1 pin provides the output for the nested NAND gates.

The NAND tree test process includes:

- Enabling NAND tree mode
- Pulling all NAND tree input pins high
- Driving each NAND tree input pin low, sequentially, according to the NAND tree pin order
- Checking the NAND tree output to make sure there is a toggle high-to-low or low-to-high for each NAND tree input driven low

Table 7 and Table 8 list the NAND tree pin orders for KSZ8091MNX and KSZ8091RNB, respectively.

| Pin Number | Pin Name | NAND Tree Description |
|------------|----------|-----------------------|
| 11 | MDIO | Input |
| 12 | MDC | Input |
| 13 | RXD3 | Input |
| 14 | RXD2 | Input |
| 15 | RXD1 | Input |
| 16 | RXD0 | Input |
| 18 | RXDV | Input |
| 19 | RXC | Input |
| 20 | RXER | Input |
| 21 | INTRP | Input |
| 22 | TXC | Input |
| 23 | TXEN | Input |
| 24 | TXD0 | Input |
| 25 | TXD1 | Input |
| 26 | TXD2 | Input |
| 27 | TXD3 | Input |
| 30 | LED0 | Input |
| 28 | COL | Input |
| 29 | CRS | Output |

Table 7. NAND Tree Test Pin Order for KSZ8091MNX

| Pin Number | Pin Name | NAND Tree Description |
|------------|----------|-----------------------|
| 11 | MDIO | Input |
| 12 | MDC | Input |
| 13 | PHYAD0 | Input |
| 14 | PHYAD1 | Input |
| 15 | RXD1 | Input |
| 16 | RXD0 | Input |
| 18 | CRS_DV | Input |
| 19 | REF_CLK | Input |
| 20 | RXER | Input |
| 21 | INTRP | Input |
| 22 | PME_EN | Input |
| 23 | TXEN | Input |
| 24 | TXD0 | Input |
| 25 | TXD1 | Input |
| 30 | LED0 | Input |
| 31 | LED1 | Input |
| 28 | CONFIG0 | Input |
| 29 | CONFIG1 | Output |

Table 8. NAND Tree Test Pin Order for KSZ8091RNB

NAND Tree I/O Testing

Use the following procedure to check for faults on the KSZ8091MNX/RNB digital I/O pin connections to the board:

1. Enable NAND tree mode using either hardware (NAND_Tree#, pin 21) or software (register 16h, bit [5]).
2. Use board logic to drive all KSZ8091MNX/RNB NAND tree input pins high.
3. Use board logic to drive each NAND tree input pin, in KSZ8091MNX/RNB NAND tree pin order, as follows:
 - a. Toggle the first pin (MDIO) from high to low, and verify that the CRS/CONFIG1 pin switches from high to low to indicate that the first pin is connected properly.
 - b. Leave the first pin (MDIO) low.
 - c. Toggle the second pin (MDC) from high to low, and verify that the CRS/CONFIG1 pin switches from low to high to indicate that the second pin is connected properly.
 - d. Leave the first pin (MDIO) and the second pin (MDC) low.
 - e. Toggle the third pin (RXD3/PHYAD0)) from high to low, and verify that the CRS/CONFIG1 pin switches from high to low to indicate that the third pin is connected properly.
 - f. Continue with this sequence until all KSZ8091MNX/RNB NAND tree input pins have been toggled.

Each KSZ8091MNX/RNB NAND tree input pin must cause the CRS/CONFIG1 output pin to toggle high-to-low or low-to-high to indicate a good connection. If the CRS/CONFIG1 pin fails to toggle when the KSZ8091MNX/RNB input pin toggles from high to low, the input pin has a fault.

Power Management

The KSZ8091MNX/RNB incorporates a number of power-management modes and features that provide methods to consume less energy. These are discussed in the following sections.

Power-Saving Mode

Power-saving mode is used to reduce the transceiver power consumption when the cable is unplugged. It is enabled by writing a '1' to register 1Fh, bit [10], and is in effect when auto-negotiation mode is enabled and the cable is disconnected (no link).

In this mode, the KSZ8091MNX/RNB shuts down all transceiver blocks, except for the transmitter, energy detect, and PLL circuits.

By default, power-saving mode is disabled after power-up.

Energy-Detect Power-Down Mode

Energy-detect power-down (EDPD) mode is used to further reduce transceiver power consumption when the cable is unplugged. It is enabled by writing a '0' to register 18h, bit [11], and is in effect when auto-negotiation mode is enabled and the cable is disconnected (no link).

EDPD mode works with the PLL off (set by writing a '1' to register 10h, bit [4] to automatically turn the PLL off in EDPD mode) to turn off all KSZ8091MNX/RNB transceiver blocks except the transmitter and energy-detect circuits.

Power can be reduced further by extending the time interval between transmissions of link pulses to check for the presence of a link partner. The periodic transmission of link pulses is needed to ensure the KSZ8091MNX/RNB and its link partner, when operating in the same low-power state and with Auto MDI/MDI-X disabled, can wake up when the cable is connected between them.

By default, energy-detect power-down mode is disabled after power-up.

Power-Down Mode

Power-down mode is used to power down the KSZ8091MNX/RNB device when it is not in use after power-up. It is enabled by writing a '1' to register 0h, bit [11].

In this mode, the KSZ8091MNX/RNB disables all internal functions except the MII management interface. The KSZ8091MNX/RNB exits (disables) power-down mode after register 0h, bit [11] is set back to '0'.

Slow-Oscillator Mode

Slow-oscillator mode is used to disconnect the input reference crystal/clock on XI (pin 9) and select the on-chip slow oscillator when the KSZ8091MNX/RNB device is not in use after power-up. It is enabled by writing a '1' to register 11h, bit [5].

Slow-oscillator mode works in conjunction with power-down mode to put the KSZ8091MNX/RNB device in the lowest power state, with all internal functions disabled except the MII management interface. To properly exit this mode and return to normal PHY operation, use the following programming sequence:

1. Disable slow-oscillator mode by writing a '0' to register 11h, bit [5].
2. Disable power-down mode by writing a '0' to register 0h, bit [11].
3. Initiate software reset by writing a '1' to register 0h, bit [15].

Energy Efficient Ethernet (EEE)

The KSZ8091MNX implements Energy Efficient Ethernet (EEE) for the Media Independent Interface (MII) as described per the IEEE Standard 802.3az. The Standard is defined around an EEE-compliant MAC on the host side and an EEE-compliant Link Partner on the line side that support special signaling associated with EEE. EEE saves power by keeping the AC signal on the copper Ethernet cable at approximately 0V peak-to-peak for as often as possible during periods of no traffic activity, while maintaining the link-up status. This is referred to as Low Power Idle (LPI) mode or state.

Similarly, the KSZ8091RNB implements EEE for the Reduced Media Independent Interface (RMII) as described per the IEEE Standard 802.3az for line signaling by the two differential pairs (analog side) and according to the multisource agreement (MSA) of collaborating Fast Ethernet chip vendors for the RMII (digital side). This agreement is based on the IEEE Standard's EEE implementation for MII (100Mbps).

During LPI mode, the copper link will respond automatically upon receiving traffic and resume normal PHY operation immediately, without blockage of traffic or loss of packet – exiting LPI mode and returning to normal 100Mbps operating mode. Wake-up time is <30us for 100Base-TX.

The LPI state is controlled independently for transmit and receive paths, allowing the LPI state to be active (enabled) for:

- Transmit cable path only
- Receive cable path only
- Both transmit and receive cable paths

The KSZ8091MNX/RNB has the EEE function disabled as the power-up default setting. To enable the EEE function for 100Mbps mode, use the following programming sequence:

1. Enable 100Mbps EEE mode advertisement by writing a '1' to MMD address 7h, register 3Ch, bit [1].
2. Restart auto-negotiation by writing a '1' to standard register 0h, b [9].

For standard (non-EEE) 10Base-T mode, normal link pulses (NLPs) with long periods of no AC signal transmission are used to maintain the link during the idle period when there is no traffic activity. To save more power, the KSZ8091MNX/RNB provides the option to enable 10Base-Te mode, which saves additional power by reducing the transmitted signal amplitude from 2.5V to 1.75V. To enable 10Base-Te mode, write a '1' to standard register 13h, bit [4].

During LPI mode, refresh transmissions are used to maintain the link; power savings occur in quiet periods. Approximately every 20 to 22 milliseconds, a refresh transmission of 200 to 220 microseconds is sent to the link partner. The refresh transmissions and quiet periods are shown in Figure 10.

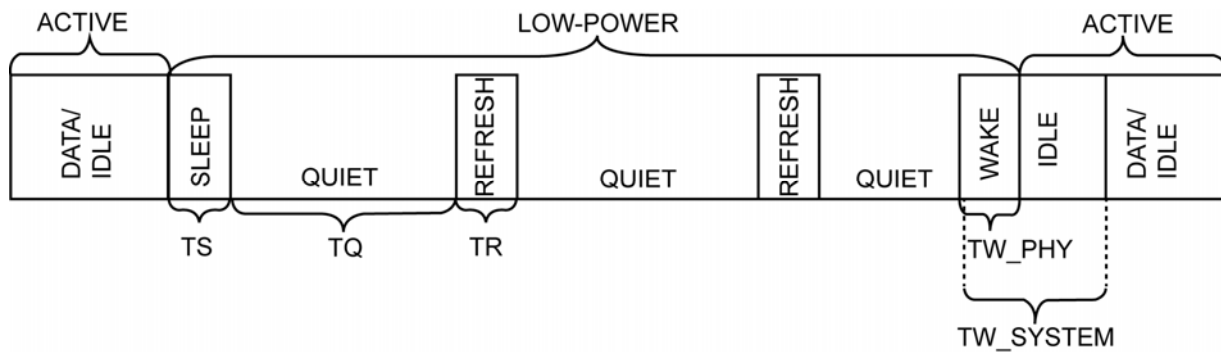


Figure 10. LPI Mode (Refresh Transmissions and Quiet Periods)

Transmit Direction Control (MAC-to-PHY)

The KSZ8091MNX enters LPI mode for the transmit direction when its attached EEE-compliant MII MAC de-asserts TXEN, asserts TXER, and sets TXD[3:0] to 0001. The KSZ8091MNX remains in the LPI transmit state while the MAC maintains the states of these signals. When the MAC changes any of the TXEN, TXER, or TX data signals from their LPI state values, the KSZ8091MNX exits the LPI transmit state.

The TXC clock is not stopped, because it is sourced from the PHY and is used by the MAC for MII transmit.

Figure 11 shows the LPI transition for MII (100Mbps) transmit.

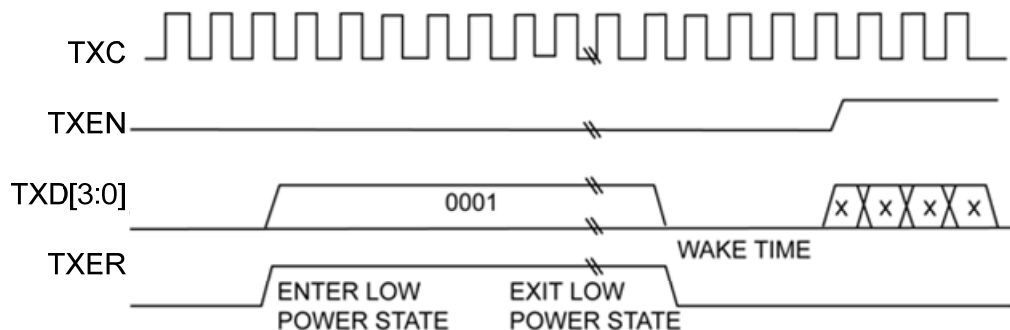


Figure 11. LPI Transition – MII (100Mbps) Transmit

Similarly, the KSZ8091RNB enters LPI mode for the transmit direction when its attached IEEE-compliant RMII MAC de-asserts TXEN and sets TXD[1:0] to 01. The KSZ8091RNB remains in the LPI transmit state while the RMII MAC maintains the states of these signals. When the RMII MAC changes any of the TXEN or TX data signals from their LPI state values, the KSZ8091RNB exits the LPI transmit state.

Figure 12 shows the LPI transition for RMII (100Mbps) transmit.

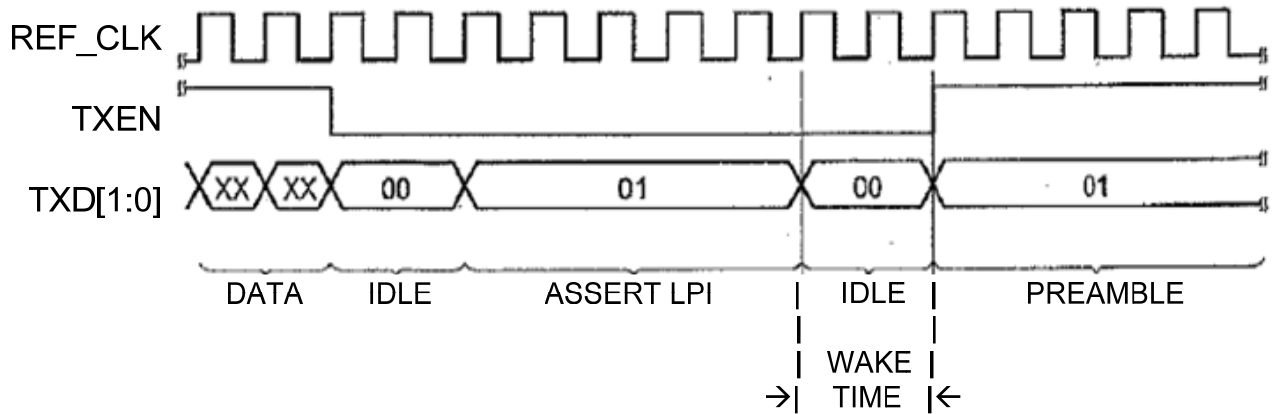


Figure 12. LPI Transition – RMII (100Mbps) Transmit

Receive Direction Control (PHY-to-MAC)

The KSZ8091MNX enters LPI mode for the receive direction when it receives the /P/ code bit pattern (Sleep/Refresh) from its IEEE-compliant link partner. It then de-asserts RXDV, asserts RXER, and drives RXD[3:0] to 0001. The KSZ8091MNX remains in the LPI receive state while it continues to receive the refresh from its link partner, so it will continue to maintain and drive the LPI output states for the MII receive signals to inform the attached IEEE-compliant MII MAC that it is in the LPI receive state. When the KSZ8091MNX receives a non /P/ code bit pattern (non-refresh), it exits the LPI receive state and sets the RXDV, RXER, and RX data signals to set a normal frame or normal idle.

The KSZ8091MNX stops the RXC clock output to the MAC after nine or more RXC clock cycles have occurred in the LPI receive state, to save more power. By default, RXC clock stoppage is enabled. It is disabled by writing a '0' to MMD address 3h, register 0h, bit [10].

Figure 13 shows the LPI transition for MII (100Mbps) receive.

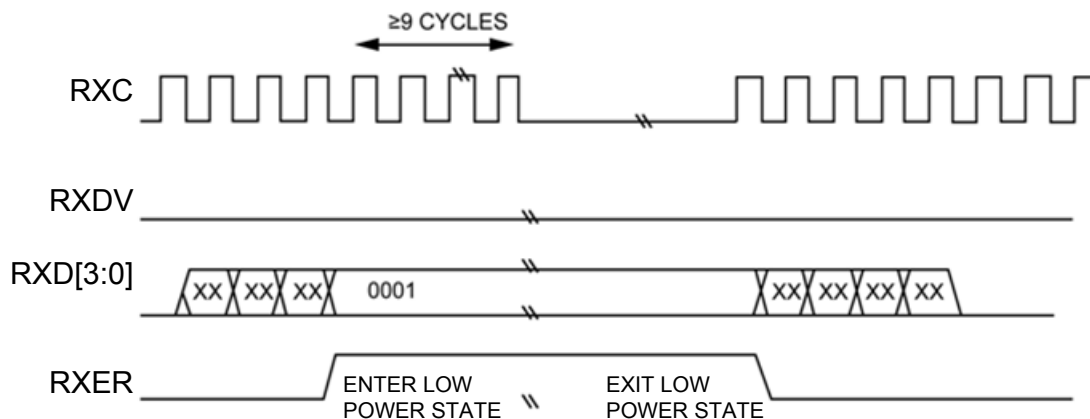


Figure 13. LPI Transition – MII (100Mbps) Receive

Similarly, the KSZ8091RNB enters LPI mode for the receive direction when its attached IEEE-compliant RMII MAC de-asserts CRS_DV and sets RXD[1:0] to 01. The KSZ8091RNB remains in the LPI receive state while the RMII MAC maintains the states of these signals. When the RMII MAC changes any of the CRS_DV or RX data signals from their LPI state values, the KSZ8091RNB exits the LPI receive state.

Figure 14 shows the LPI transition for RMII (100Mbps) receive.

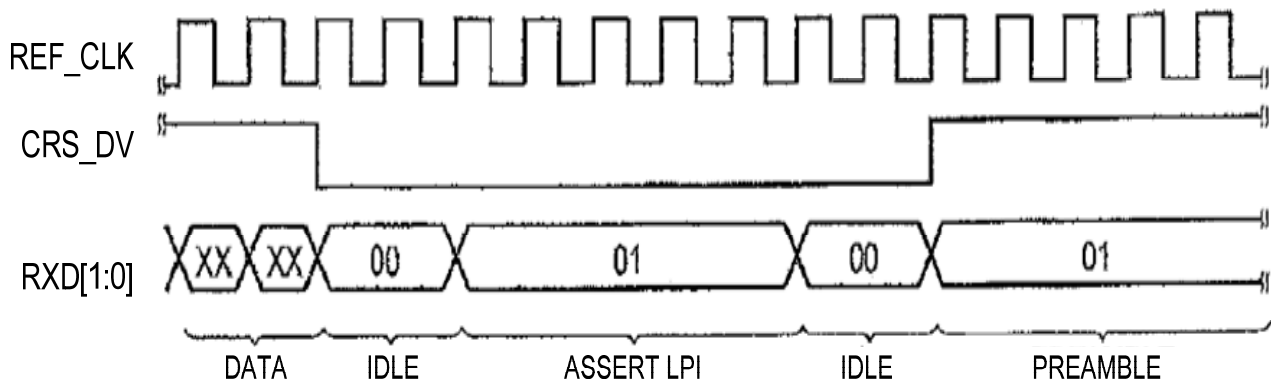


Figure 14. LPI Transition – RMII (100Mbps) Receive

Registers Associated with EEE

The following registers are provided for EEE configuration and management:

- Standard register 13h - AFE Control 4 (to enable 10Base-T-e mode)
- MMD address 1h, register 0h - PMA/PMD Control 1 (to enable LPI)
- MMD address 1h, register 1h - PMA/PMD Status 1 (for LPI status)
- MMD address 3h, register 0h - EEE PCS Control 1 (to stop RXC clock for KSZ8091MNX only)
- MMD address 7h, register 3Ch - EEE Advertisement
- MMD address 7h, register 3Dh - EEE Link Partner Advertisement

Wake-On-LAN

Wake-On-LAN (WOL) is normally a MAC-based function to wake up a host system (for example, an Ethernet end device, such as a PC) that is in standby power mode. Wake-up is triggered by receiving and detecting a special packet (commonly referred to as the “magic packet”) that is sent by the remote link partner. The KSZ8091MNX/RNB can perform the same WOL function if the MAC address of its associated MAC device is entered into the KSZ8091MNX/RNB PHY registers for magic-packet detection. When the KSZ8091MNX/RNB detects the magic packet, it wakes up the host by driving its power management event (PME) output pin low.

By default, the WOL function is disabled. It is enabled by setting the enabling bit and configuring the associated registers for the selected PME wake-up detection method.

The KSZ8091MNX/RNB provides three methods to trigger a PME wake-up:

- Magic-packet detection
- Customized-packet detection
- Link status change detection

Magic-Packet Detection

The magic packet's frame format starts with 6 bytes of 0xFFh and is followed by 16 repetitions of the MAC address of its associated MAC device (local MAC device).

When the magic packet is detected from its link partner, the KSZ8091MNX/RNB asserts its PME output pin low.

The following MMD address 1Fh registers are provided for magic-packet detection:

- Magic-packet detection is enabled by writing a '1' to MMD address 1Fh, register 0h, bit [6]
- The MAC address (for the local MAC device) is written to and stored in MMD address 1Fh, registers 19h – 1Bh

The KSZ8091MNX/RNB does not generate the magic packet. The magic packet must be provided by the external system.

Customized-Packet Detection

The customized packet has associated register/bit masks to select which byte, or bytes, of the first 64 bytes of the packet to use in the CRC calculation. After the KSZ8091MNX/RNB receives the packet from its link partner, the selected bytes for the received packet are used to calculate the CRC. The calculated CRC is compared to the expected CRC value that was previously written to and stored in the KSZ8091MNX/RNB PHY registers. If there is a match, the KSZ8091MNX/RNB asserts its PME output pin low.

Four customized packets are provided to support four types of wake-up scenarios. A dedicated set of registers is used to configure and enable each customized packet.

The following MMD registers are provided for customized-packet detection:

- Each of the four customized packets is enabled via MMD address 1Fh, register 0h,
 - Bit [2] // For customized packets, type 0
 - Bit [3] // For customized packets, type 1
 - Bit [4] // For customized packets, type 2
 - Bit [5] // For customized packets, type 3
- Masks to indicate which of the first 64-bytes to use in the CRC calculation are set in:
 - MMD address 1Fh, registers 1h – 4h // For customized packets, type 0
 - MMD address 1Fh, registers 7h – Ah // For customized packets, type 1
 - MMD address 1Fh, registers Dh – 10h // For customized packets, type 2
 - MMD address 1Fh, registers 13h – 16h // For customized packets, type 3
- 32-bit expected CRCs are written to and stored in:
 - MMD address 1Fh, registers 5h – 6h // For customized packets, type 0
 - MMD address 1Fh, registers Bh – Ch // For customized packets, type 1
 - MMD address 1Fh, registers 11h – 12h // For customized packets, type 2
 - MMD address 1Fh, registers 17h – 18h // For customized packets, type 3

Link Status Change Detection

If link status change detection is enabled, the KSZ8091MNX/RNB asserts its PME output pin low whenever there is a link status change, using the following MMD address 1Fh register bits and their enabled (1) or disabled (0) settings:

- MMD address 1Fh, register 0h, bit [0] // For link-up detection
- MMD address 1Fh, register 0h, bit [1] // For link-down detection

The PME output signal is available on either INTRP/PME_N2 (pin 21) or LED0/PME_N1 (pin 30), and is enabled using standard register 16h, bit [15]. MMD address 1Fh, register 0h, bits [15:14] defines and selects the output functions for pins 21 and 30.

The PME output is active low and requires a 1kΩ pull-up to the VDDIO supply. When asserted, the PME output is cleared by disabling the register bit that enabled the PME trigger source (magic packet, customized packet, link status change).

Reference Circuit for Power and Ground Connections

The KSZ8091MNX/RNB is a single 3.3V supply device with a built-in regulator to supply the 1.2V core. The power and ground connections are shown in Figure 15 and Table 9 for 3.3V VDDIO.

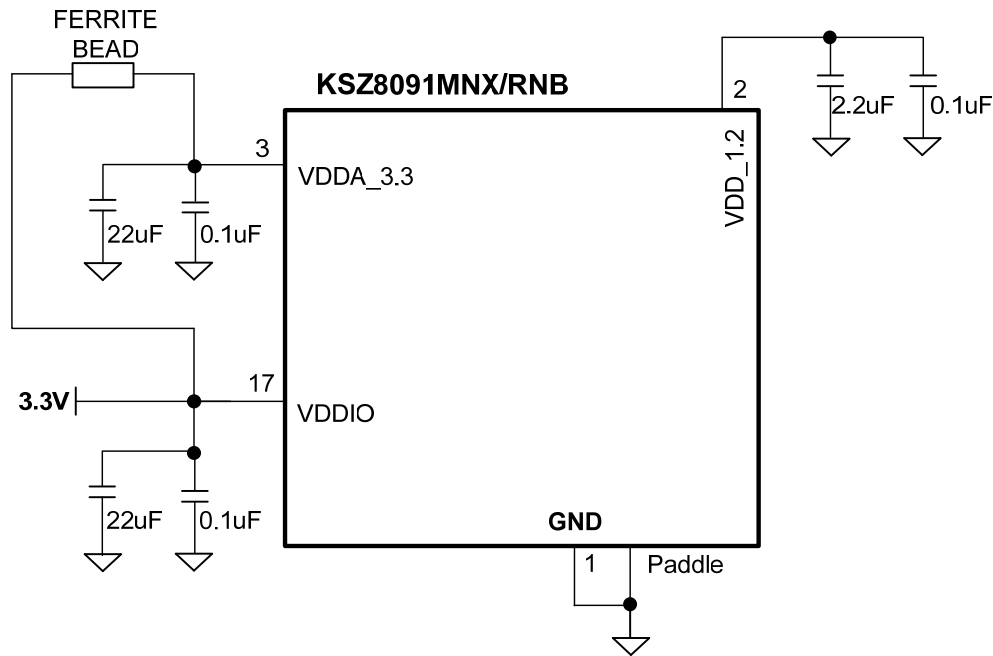


Figure 15. KSZ8091MNX/RNB Power and Ground Connections

| Power Pin | Pin Number | Description |
|-----------|------------|---|
| VDD_1.2 | 2 | Decouple with 2.2μF and 0.1μF capacitors to ground. |
| VDDA_3.3 | 3 | Connect to board's 3.3V supply through a ferrite bead. Decouple with 22μF and 0.1μF capacitors to ground. |
| VDDIO | 17 | Connect to board's 3.3V supply for 3.3V VDDIO. Decouple with 22μF and 0.1μF capacitors to ground. |

Table 9. KSZ8091MNX/RNB Power Pin Description

Typical Current/Power Consumption

Table 10 through Table 12 show typical values for current consumption by the transceiver (VDDA_3.3) and digital I/O (VDDIO) power pins and typical values for power consumption by the KSZ8091MNX/RNB device for the indicated nominal operating voltages. These current and power consumption values include the transmit driver current and on-chip regulator current for the 1.2V core.

Transceiver (3.3V), Digital I/Os (3.3V)

| Condition | 3.3V Transceiver (VDDA_3.3) | 3.3V Digital I/Os (VDDIO) | Total Chip Power |
|--|-----------------------------|---------------------------|------------------|
| | mA | mA | mW |
| 100Base-TX Link-up (no traffic) | 34 | 12 | 152 |
| 100Base-TX Full-duplex @ 100% utilization | 34 | 13 | 155 |
| 10Base-T Link-up (no traffic) | 14 | 11 | 82.5 |
| 10Base-T Full-duplex @ 100% utilization | 30 | 11 | 135 |
| EEE 100Mbps Link-up mode (transmit and receive in LPI state with no traffic) | 13 | 10 | 75.9 |
| Power-saving mode (Reg. 1Fh, bit [10] = 1) | 13 | 10 | 75.9 |
| EDPD mode (Reg. 18h, bit [11] = 0) | 10 | 10 | 66.0 |
| EDPD mode (Reg. 18h, bit [11] = 0) and PLL off (Reg. 10h, bit [4] = 1) | 3.77 | 1.54 | 17.5 |
| Software power-down mode (Reg. 0h, bit [11] = 1) | 2.59 | 1.51 | 13.5 |
| Software power-down mode (Reg. 0h, bit [11] = 1) and slow-oscillator mode (Reg. 11h, bit [5] = 1) | 1.36 | 0.45 | 5.97 |

Table 10. Typical Current/Power Consumption (VDDA_3.3 = 3.3V, VDDIO = 3.3V)

Transceiver (3.3V), Digital I/Os (2.5V)

| Condition | 3.3V Transceiver (VDDA_3.3) | 2.5V Digital I/Os (VDDIO) | Total Chip Power |
|--|-----------------------------|---------------------------|------------------|
| | mA | mA | mW |
| 100Base-TX Link-up (no traffic) | 34 | 11 | 140 |
| 100Base-TX Full-duplex @ 100% utilization | 34 | 12 | 142 |
| 10Base-T Link-up (no traffic) | 15 | 10 | 74.5 |
| 10Base-T Full-duplex @ 100% utilization | 27 | 10 | 114 |
| EEE 100Mbps Link-up mode (transmit and receive in LPI state with no traffic) | 13 | 10 | 67.9 |
| Power-saving mode (Reg. 1Fh, bit [10] = 1) | 13 | 10 | 67.9 |
| EDPD mode (Reg. 18h, bit [11] = 0) | 11 | 10 | 61.3 |
| EDPD mode (Reg. 18h, bit [11] = 0) and PLL off (Reg. 10h, bit [4] = 1) | 3.55 | 1.35 | 15.1 |
| Software power-down mode (Reg. 0h, bit [11] = 1) | 2.29 | 1.34 | 10.9 |
| Software power-down mode (Reg. 0h, bit [11] = 1) and slow-oscillator mode (Reg. 11h, bit [5] = 1) | 1.15 | 0.29 | 4.52 |

Table 11. Typical Current/Power Consumption (VDDA_3.3 = 3.3V, VDDIO = 2.5V)

Transceiver (3.3V), Digital I/Os (1.8V)

| Condition | 3.3V Transceiver (VDDA_3.3) | 1.8V Digital I/Os (VDDIO) | Total Chip Power |
|--|--------------------------------|------------------------------|------------------|
| | mA | mA | mW |
| 100Base-TX Link-up (no traffic) | 34 | 11 | 132 |
| 100Base-TX Full-duplex @ 100% utilization | 34 | 12 | 134 |
| 10Base-T Link-up (no traffic) | 15 | 9.0 | 65.7 |
| 10Base-T Full-duplex @ 100% utilization | 27 | 9.0 | 105 |
| EEE 100Mbps Link-up mode (transmit and receive in LPI state with no traffic) | 13 | 9.0 | 59.1 |
| Power-saving mode (Reg. 1Fh, bit [10] = 1) | 13 | 9.0 | 59.1 |
| EDPD mode (Reg. 18h, bit [11] = 0) | 11 | 9.0 | 52.5 |
| EDPD mode (Reg. 18h, bit [11] = 0) and PLL off (Reg. 10h, bit [4] = 1) | 4.05 | 1.21 | 15.5 |
| Software power-down mode (Reg. 0h, bit [11] = 1) | 2.79 | 1.21 | 11.4 |
| Software power-down mode (Reg. 0h, bit [11] = 1) and slow-oscillator mode (Reg. 11h, bit [5] = 1) | 1.65 | 0.19 | 5.79 |

Table 12. Typical Current/Power Consumption (VDDA_3.3 = 3.3V, VDDIO = 1.8V)

Register Map

The register space within the KSZ8091MNX/RNB consists of two distinct areas.

- Standard registers // Direct register access
- MDIO manageable device (MMD) registers // Indirect register access

The KSZ8091MNX/RNB supports the following standard registers.

| Register Number (Hex) | Description |
|----------------------------------|---|
| IEEE-Defined Registers | |
| 0h | Basic Control |
| 1h | Basic Status |
| 2h | PHY Identifier 1 |
| 3h | PHY Identifier 2 |
| 4h | Auto-Negotiation Advertisement |
| 5h | Auto-Negotiation Link Partner Ability |
| 6h | Auto-Negotiation Expansion |
| 7h | Auto-Negotiation Next Page |
| 8h | Auto-Negotiation Link Partner Next Page Ability |
| 9h – Ch | Reserved |
| Dh | MMD Access – Control |
| Eh | MMD Access – Register/Data |
| Fh | Reserved |
| Vendor-Specific Registers | |
| 10h | Digital Reserved Control |
| 11h | AFE Control 1 |
| 12h | Reserved |
| 13h | AFE Control 4 |
| 14h | Reserved |
| 15h | RXER Counter |
| 16h | Operation Mode Strap Override |
| 17h | Operation Mode Strap Status |
| 18h | Expanded Control |
| 19h – 1Ah | Reserved |
| 1Bh | Interrupt Control/Status |
| 1Ch | Reserved |
| 1Dh | LinkMD Cable Diagnostic |
| 1Eh | PHY Control 1 |
| 1Fh | PHY Control 2 |

Table 13. Standard Registers Supported by KSZ8091MNX/RNB

The KSZ8091MNX/RNB supports the following MMD device addresses and their associated register addresses, which make up the indirect MMD registers.

| Device Address (Hex) | Register Address (Hex) | Description |
|----------------------|--------------------------------------|---|
| 1h | 0h | PMA/PMD Control 1 |
| | 1h | PMA/PMD Status 1 |
| 3h | 0h | EEE PCS Control 1 |
| 7h | 3Ch | EEE Advertisement |
| | 3Dh | EEE Link Partner Advertisement |
| 1Fh | 0h | Wake-On-LAN – Control |
| | 1h | Wake-On-LAN – Customized Packet, Type 0, Mask 0 |
| | 2h | Wake-On-LAN – Customized Packet, Type 0, Mask 1 |
| | 3h | Wake-On-LAN – Customized Packet, Type 0, Mask 2 |
| | 4h | Wake-On-LAN – Customized Packet, Type 0, Mask 3 |
| | 5h | Wake-On-LAN – Customized Packet, Type 0, Expected CRC 0 |
| | 6h | Wake-On-LAN – Customized Packet, Type 0, Expected CRC 1 |
| | 7h | Wake-On-LAN – Customized Packet, Type 1, Mask 0 |
| | 8h | Wake-On-LAN – Customized Packet, Type 1, Mask 1 |
| | 9h | Wake-On-LAN – Customized Packet, Type 1, Mask 2 |
| | Ah | Wake-On-LAN – Customized Packet, Type 1, Mask 3 |
| | Bh | Wake-On-LAN – Customized Packet, Type 1, Expected CRC 0 |
| | Ch | Wake-On-LAN – Customized Packet, Type 1, Expected CRC 1 |
| | Dh | Wake-On-LAN – Customized Packet, Type 2, Mask 0 |
| | Eh | Wake-On-LAN – Customized Packet, Type 2, Mask 1 |
| | Fh | Wake-On-LAN – Customized Packet, Type 2, Mask 2 |
| | 10h | Wake-On-LAN – Customized Packet, Type 2, Mask 3 |
| | 11h | Wake-On-LAN – Customized Packet, Type 2, Expected CRC 0 |
| | 12h | Wake-On-LAN – Customized Packet, Type 2, Expected CRC 1 |
| | 13h | Wake-On-LAN – Customized Packet, Type 3, Mask 0 |
| | 14h | Wake-On-LAN – Customized Packet, Type 3, Mask 1 |
| | 15h | Wake-On-LAN – Customized Packet, Type 3, Mask 2 |
| | 16h | Wake-On-LAN – Customized Packet, Type 3, Mask 3 |
| | 17h | Wake-On-LAN – Customized Packet, Type 3, Expected CRC 0 |
| | 18h | Wake-On-LAN – Customized Packet, Type 3, Expected CRC 1 |
| | 19h | Wake-On-LAN – Magic Packet, MAC-DA-0 |
| 1Ah | Wake-On-LAN – Magic Packet, MAC-DA-1 | |
| 1Bh | Wake-On-LAN – Magic Packet, MAC-DA-2 | |

Table 14. MMD Registers Supported by KSZ8091MNX/RNB

Standard Registers

Standard registers provide direct read/write access to a 32-register address space, as defined in Clause 22 of the IEEE 802.3 Specification. Within this address space, the first 16 registers (registers 0h to Fh) are defined according to the IEEE specification, while the remaining 16 registers (registers 10h to 1Fh) are defined specific to the PHY vendor.

IEEE-Defined Registers – Descriptions

| Address | Name | Description | Mode ⁽¹⁾ | Default |
|------------------------------------|--------------------------|---|---------------------|--|
| Register 0h – Basic Control | | | | |
| 0.15 | Reset | 1 = Software reset 0 = Normal operation This bit is self-cleared after a '1' is written to it. | RW/SC | 0 |
| 0.14 | Loopback | 1 = Loopback mode 0 = Normal operation | RW | 0 |
| 0.13 | Speed Select | 1 = 100Mbps 0 = 10Mbps This bit is ignored if auto-negotiation is enabled (register 0.12 = 1). | RW | Set by the SPEED strapping pin (KSZ8091RNB only). See the " Strapping Options – KSZ8091MNX " section for details. |
| 0.12 | Auto-Negotiation Enable | 1 = Enable auto-negotiation process 0 = Disable auto-negotiation process If enabled, the auto-negotiation result overrides the settings in registers 0.13 and 0.8. | RW | Set by the NWAYEN strapping pin. See the " Strapping Options – KSZ8091MNX " section for details. |
| 0.11 | Power-Down | 1 = Power-down mode 0 = Normal operation If software reset (register 0.15) is used to exit power-down mode (register 0.11 = 1), two software reset writes (register 0.15 = 1) are required. The first write clears power-down mode; the second write resets the chip and re-latches the pin strapping pin values. | RW | 0 |
| 0.10 | Isolate | 1 = Electrical isolation of PHY from MII/RMII 0 = Normal operation | RW | Set by the ISO strapping pin. See the " Strapping Options – KSZ8091MNX " section for details. |
| 0.9 | Restart Auto-Negotiation | 1 = Restart auto-negotiation process 0 = Normal operation. This bit is self-cleared after a '1' is written to it. | RW/SC | 0 |
| 0.8 | Duplex Mode | 1 = Full-duplex 0 = Half-duplex | RW | The inverse of the DUPLEX strapping pin value. See the " Strapping Options – KSZ8091MNX " section for details. |
| 0.7 | Collision Test | 1 = Enable COL test 0 = Disable COL test | RW | 0 |
| 0.6:0 | Reserved | Reserved | RO | 000_0000 |

| Address | Name | Description | Mode ⁽¹⁾ | Default |
|---|---------------------------|---|---------------------|----------------------------|
| Register 1h – Basic Status | | | | |
| 1.15 | 100Base-T4 | 1 = T4 capable 0 = Not T4 capable | RO | 0 |
| 1.14 | 100Base-TX Full-Duplex | 1 = Capable of 100Mbps full-duplex 0 = Not capable of 100Mbps full-duplex | RO | 1 |
| 1.13 | 100Base-TX Half-Duplex | 1 = Capable of 100Mbps half-duplex 0 = Not capable of 100Mbps half-duplex | RO | 1 |
| 1.12 | 10Base-T Full-Duplex | 1 = Capable of 10Mbps full-duplex 0 = Not capable of 10Mbps full-duplex | RO | 1 |
| 1.11 | 10Base-T Half-Duplex | 1 = Capable of 10Mbps half-duplex 0 = Not capable of 10Mbps half-duplex | RO | 1 |
| 1.10:7 | Reserved | Reserved | RO | 000_0 |
| 1.6 | No Preamble | 1 = Preamble suppression 0 = Normal preamble | RO | 1 |
| 1.5 | Auto-Negotiation Complete | 1 = Auto-negotiation process completed 0 = Auto-negotiation process not completed | RO | 0 |
| 1.4 | Remote Fault | 1 = Remote fault 0 = No remote fault | RO/LH | 0 |
| 1.3 | Auto-Negotiation Ability | 1 = Can perform auto-negotiation 0 = Cannot perform auto-negotiation | RO | 1 |
| 1.2 | Link Status | 1 = Link is up 0 = Link is down | RO/LL | 0 |
| 1.1 | Jabber Detect | 1 = Jabber detected 0 = Jabber not detected (default is low) | RO/LH | 0 |
| 1.0 | Extended Capability | 1 = Supports extended capability registers | RO | 1 |
| Register 2h – PHY Identifier 1 | | | | |
| 2.15:0 | PHY ID Number | Assigned to the 3rd through 18th bits of the Organizationally Unique Identifier (OUI). KENDIN Communication's OUI is 0010A1 (hex). | RO | 0022h |
| Register 3h – PHY Identifier 2 | | | | |
| 3.15:10 | PHY ID Number | Assigned to the 19th through 24th bits of the Organizationally Unique Identifier (OUI). KENDIN Communication's OUI is 0010A1 (hex). | RO | 0001_01 |
| 3.9:4 | Model Number | Six-bit manufacturer's model number | RO | 01_0110 |
| 3.3:0 | Revision Number | Four-bit manufacturer's revision number | RO | Indicates silicon revision |
| Register 4h – Auto-Negotiation Advertisement | | | | |
| 4.15 | Next Page | 1 = Next page capable 0 = No next page capability | RW | 0 |
| 4.14 | Reserved | Reserved | RO | 0 |

| Address | Name | Description | Mode ⁽¹⁾ | Default |
|--|------------------------|---|---------------------|--|
| 4.13 | Remote Fault | 1 = Remote fault supported 0 = No remote fault | RW | 0 |
| 4.12 | Reserved | Reserved | RO | 0 |
| 4.11:10 | Pause | [00] = No pause [10] = Asymmetric pause [01] = Symmetric pause [11] = Asymmetric and symmetric pause | RW | 00 |
| 4.9 | 100Base-T4 | 1 = T4 capable 0 = No T4 capability | RO | 0 |
| 4.8 | 100Base-TX Full-Duplex | 1 = 100Mbps full-duplex capable 0 = No 100Mbps full-duplex capability | RW | Set by the SPEED strapping pin (KSZ8091RNB only). See the " Strapping Options – KSZ8091MNX " section for details. |
| 4.7 | 100Base-TX Half-Duplex | 1 = 100Mbps half-duplex capable 0 = No 100Mbps half-duplex capability | RW | Set by the SPEED strapping pin (KSZ8091RNB only). See the " Strapping Options – KSZ8091MNX " section for details. |
| 4.6 | 10Base-T Full-Duplex | 1 = 10Mbps full-duplex capable 0 = No 10Mbps full-duplex capability | RW | 1 |
| 4.5 | 10Base-T Half-Duplex | 1 = 10Mbps half-duplex capable 0 = No 10Mbps half-duplex capability | RW | 1 |
| 4.4:0 | Selector Field | [00001] = IEEE 802.3 | RW | 0_0001 |
| Register 5h – Auto-Negotiation Link Partner Ability | | | | |
| 5.15 | Next Page | 1 = Next page capable 0 = No next page capability | RO | 0 |
| 5.14 | Acknowledge | 1 = Link code word received from partner 0 = Link code word not yet received | RO | 0 |
| 5.13 | Remote Fault | 1 = Remote fault detected 0 = No remote fault | RO | 0 |
| 5.12 | Reserved | Reserved | RO | 0 |
| 5.11:10 | Pause | [00] = No pause [10] = Asymmetric pause [01] = Symmetric pause [11] = Asymmetric and symmetric pause | RO | 00 |
| 5.9 | 100Base-T4 | 1 = T4 capable 0 = No T4 capability | RO | 0 |
| 5.8 | 100Base-TX Full-Duplex | 1 = 100Mbps full-duplex capable 0 = No 100Mbps full-duplex capability | RO | 0 |
| 5.7 | 100Base-TX Half-Duplex | 1 = 100Mbps half-duplex capable 0 = No 100Mbps half-duplex capability | RO | 0 |
| 5.6 | 10Base-T Full-Duplex | 1 = 10Mbps full-duplex capable 0 = No 10Mbps full-duplex capability | RO | 0 |

| Address | Name | Description | Mode ⁽¹⁾ | Default |
|--|------------------------------------|--|---------------------|---------------|
| 5.5 | 10Base-T Half-Duplex | 1 = 10Mbps half-duplex capable 0 = No 10Mbps half-duplex capability | RO | 0 |
| 5.4:0 | Selector Field | [00001] = IEEE 802.3 | RO | 0_0001 |
| Register 6h – Auto-Negotiation Expansion | | | | |
| 6.15:5 | Reserved | Reserved | RO | 0000_0000_000 |
| 6.4 | Parallel Detection Fault | 1 = Fault detected by parallel detection 0 = No fault detected by parallel detection | RO/LH | 0 |
| 6.3 | Link Partner Next Page Able | 1 = Link partner has next page capability 0 = Link partner does not have next page capability | RO | 0 |
| 6.2 | Next Page Able | 1 = Local device has next page capability 0 = Local device does not have next page capability | RO | 1 |
| 6.1 | Page Received | 1 = New page received 0 = New page not received yet | RO/LH | 0 |
| 6.0 | Link Partner Auto-Negotiation Able | 1 = Link partner has auto-negotiation capability 0 = Link partner does not have auto-negotiation capability | RO | 0 |
| Register 7h – Auto-Negotiation Next Page | | | | |
| 7.15 | Next Page | 1 = Additional next pages will follow 0 = Last page | RW | 0 |
| 7.14 | Reserved | Reserved | RO | 0 |
| 7.13 | Message Page | 1 = Message page 0 = Unformatted page | RW | 1 |
| 7.12 | Acknowledge2 | 1 = Will comply with message 0 = Cannot comply with message | RW | 0 |
| 7.11 | Toggle | 1 = Previous value of the transmitted link code word equaled logic 1 0 = Logic 0 | RO | 0 |
| 7.10:0 | Message Field | 11-bit wide field to encode 2048 messages | RW | 000_0000_0001 |
| Register 8h – Auto-Negotiation Link Partner Next Page Ability | | | | |
| 8.15 | Next Page | 1 = Additional next pages will follow 0 = Last page | RO | 0 |
| 8.14 | Acknowledge | 1 = Successful receipt of link word 0 = No successful receipt of link word | RO | 0 |
| 8.13 | Message Page | 1 = Message page 0 = Unformatted page | RO | 0 |
| 8.12 | Acknowledge2 | 1 = Can act on the information 0 = Cannot act on the information | RO | 0 |
| 8.11 | Toggle | 1 = Previous value of transmitted link code word equal to logic 0 0 = Previous value of transmitted link code word equal to logic 1 | RO | 0 |
| 8.10:0 | Message Field | 11-bit wide field to encode 2048 messages | RO | 000_0000_0000 |

| Address | Name | Description | Mode ⁽¹⁾ | Default |
|---|----------------------|--|---------------------|---------------------|
| Register Dh – MMD Access – Control | | | | |
| D.15:14 | MMD – Operation Mode | For the selected MMD device address (bits [4:0] of this register), these two bits select one of the following register or data operations and the usage for MMD Access – Register/Data (Reg. Eh). 00 = Register 01 = Data, no post increment 10 = Data, post increment on reads and writes 11 = Data, post increment on writes only | RW | 00 |
| D.13:5 | Reserved | Reserved | RW | 00_0000_000 |
| D.4:0 | MMD – Device Address | These five bits set the MMD device address. | RW | 0_0000 |
| Register Eh – MMD Access – Register/Data | | | | |
| E.15:0 | MMD – Register/Data | For the selected MMD device address (Reg. Dh, bits [4:0]), When Reg. Dh, bits [15:14] = 00, this register contains the read/write register address for the MMD device address. Otherwise, this register contains the read/write data value for the MMD device address and its selected register address. See also Reg. Dh, bits [15:14], for descriptions of post increment reads and writes of this register for data operation. | RW | 0000_0000_0000_0000 |

Note:

1. RW = Read/Write.
RO = Read only.
SC = Self-cleared.
LH = Latch high.
LL = Latch low.

Vendor-Specific Registers – Descriptions

| Address | Name | Description | Mode ⁽¹⁾ | Default |
|--|----------|---|---------------------|---------------|
| Register 10h – Digital Reserved Control | | | | |
| 10.15:5 | Reserved | Reserved | RW | 0000_0000_000 |
| 10.4 | PLL Off | 1 = Turn PLL off automatically in EDPD mode 0 = Keep PLL on in EDPD mode. See also register 18h, bit [11] for EDPD mode | RW | 0 |
| 10.3:0 | Reserved | Reserved | RW | 0000 |
| Register 11h – AFE Control 1 | | | | |
| 11.15:6 | Reserved | Reserved | RW | 0000_0000_00 |

| Address | Name | Description | Mode ⁽¹⁾ | Default |
|---|-----------------------------|---|---------------------|---|
| 11.5 | Slow-Oscillator Mode Enable | Slow-oscillator mode is used to disconnect the input reference crystal/clock on the XI pin and select the on-chip slow oscillator when the KSZ8091MNX/RNB device is not in use after power-up. 1 = Enable 0 = Disable This bit automatically sets software power-down to the analog side when enabled. | RW | 0 |
| 11.4:0 | Reserved | Reserved | RW | 0_0000 |
| Register 13h – AFE Control 4 | | | | |
| 13.15:5 | Reserved | Reserved | RW | 0000_0000_000 |
| 13.4 | 10Base-Te Mode | 1 = EEE 10Base-Te (1.75V TX amplitude) 0 = Standard 10Base-T (2.5V TX amplitude) | RW | 0 |
| 13.3:0 | Reserved | Reserved | RW | 0000 |
| Register 15h – RXER Counter | | | | |
| 15.15:0 | RXER Counter | Receive error counter for symbol error frames | RO/SC | 0000h |
| Register 16h – Operation Mode Strap Override | | | | |
| 16.15 | PME Enable | PME for Wake-on-LAN 1 = Enable 0 = Disable This bit works in conjunction with MMD Address 1Fh, Reg. 0h, Bits [15:14] to define the output for pins 21 and 30. | RW | Set by the PME_EN strapping pin. See the “ Strapping Options – KSZ8091MNX ” section for details. |
| 16.14:11 | Reserved | Reserved | RW | 000_0 |
| 16.10 | Reserved | Reserved | RO | 0 |
| 16.9 | B-CAST_OFF Override | 1 = Override strap-in for B-CAST_OFF If bit is ‘1’, PHY Address 0 is non-broadcast. | RW | 0 |
| 16.8 | Reserved | Reserved | RW | 0 |
| 16.7 | MII B-to-B Override | 1 = Override strap-in for MII back-to-back mode (also set bit 0 of this register to ‘1’) This bit applies only to KSZ8091MNX. | RW | 0 |
| 16.6 | RMII B-to-B Override | 1 = Override strap-in for RMII Back-to-Back mode (also set bit 1 of this register to ‘1’) This bit applies only to KSZ8091RNB. | RW | 0 |
| 16.5 | NAND Tree Override | 1 = Override strap-in for NAND tree mode | RW | 0 |
| 16.4:2 | Reserved | Reserved | RW | 0_00 |
| 16.1 | RMII Override | 1 = Override strap-in for RMII mode This bit applies only to KSZ8091RNB. | RW | 0 |
| 16.0 | MII Override | 1 = Override strap-in for MII mode This bit applies only to KSZ8091MNX. | RW | 1 |

| Address | Name | Description | Mode ⁽¹⁾ | Default |
|---|---------------------------------|--|---------------------|---------|
| Register 17h – Operation Mode Strap Status | | | | |
| 17.15:13 | PHYAD[2:0] Strap-In Status | [000] = Strap to PHY Address 0 [001] = Strap to PHY Address 1 [010] = Strap to PHY Address 2 [011] = Strap to PHY Address 3 [100] = Strap to PHY Address 4 [101] = Strap to PHY Address 5 [110] = Strap to PHY Address 6 [111] = Strap to PHY Address 7 | RO | |
| 17.12:10 | Reserved | Reserved | RO | |
| 17.9 | B-CAST_OFF Strap-In Status | 1 = Strap to B-CAST_OFF If bit is '1', PHY Address 0 is non-broadcast. | RO | |
| 17.8 | Reserved | Reserved | RO | |
| 17.7 | MII B-to-B Strap-In Status | 1 = Strap to MII back-to-back mode This bit applies only to KSZ8091MNX. | RO | |
| 17.6 | RMII B-to-B Strap-In Status | 1 = Strap to RMII Back-to-Back mode This bit applies only to KSZ8091RNB. | RO | |
| 17.5 | NAND Tree Strap-In Status | 1 = Strap to NAND tree mode | RO | |
| 17.4:2 | Reserved | Reserved | RO | |
| 17.1 | RMII Strap-In Status | 1 = Strap to RMII mode This bit applies only to KSZ8091RNB. | RO | |
| 17.0 | MII Strap-In Status | 1 = Strap to MII mode This bit applies only to KSZ8091MNX. | RO | |
| Register 18h – Expanded Control | | | | |
| 18.15:12 | Reserved | Reserved | RW | 0000 |
| 18.11 | EDPD Disabled | Energy-detect power-down mode 1 = Disable 0 = Enable See also register 10h, bit [4] for PLL off. | RW | 1 |
| 18.10 | 100Base-TX Latency | 1 = MII output is random latency 0 = MII output is fixed latency For both settings, all bytes of received preamble are passed to the MII output. This bit applies only to KSZ8091MNX. | RW | 0 |
| 18.9:7 | Reserved | Reserved | RW | 00_0 |
| 18.6 | 10Base-T Preamble Restore | 1 = Restore received preamble to MII output 0 = Remove all seven bytes of preamble before sending frame (starting with SFD) to MII output This bit applies only to KSZ8091MNX | RW | 0 |
| 18.5:0 | Reserved | Reserved | RW | 00_0001 |

| Address | Name | Description | Mode ⁽¹⁾ | Default |
|--|---|---|---------------------|---------|
| Register 1Bh – Interrupt Control/Status | | | | |
| 1B.15 | Jabber Interrupt Enable | 1 = Enable jabber interrupt 0 = Disable jabber interrupt | RW | 0 |
| 1B.14 | Receive Error Interrupt Enable | 1 = Enable receive error interrupt 0 = Disable receive error interrupt | RW | 0 |
| 1B.13 | Page Received Interrupt Enable | 1 = Enable page received interrupt 0 = Disable page received interrupt | RW | 0 |
| 1B.12 | Parallel Detect Fault Interrupt Enable | 1 = Enable parallel detect fault interrupt 0 = Disable parallel detect fault interrupt | RW | 0 |
| 1B.11 | Link Partner Acknowledge Interrupt Enable | 1 = Enable link partner acknowledge interrupt 0 = Disable link partner acknowledge interrupt | RW | 0 |
| 1B.10 | Link-Down Interrupt Enable | 1 = Enable link-down interrupt 0 = Disable link-down interrupt | RW | 0 |
| 1B.9 | Remote Fault Interrupt Enable | 1 = Enable remote fault interrupt 0 = Disable remote fault interrupt | RW | 0 |
| 1B.8 | Link-Up Interrupt Enable | 1 = Enable link-up interrupt 0 = Disable link-up interrupt | RW | 0 |
| 1B.7 | Jabber Interrupt | 1 = Jabber occurred 0 = Jabber did not occur | RO/SC | 0 |
| 1B.6 | Receive Error Interrupt | 1 = Receive error occurred 0 = Receive error did not occur | RO/SC | 0 |
| 1B.5 | Page Receive Interrupt | 1 = Page receive occurred 0 = Page receive did not occur | RO/SC | 0 |
| 1B.4 | Parallel Detect Fault Interrupt | 1 = Parallel detect fault occurred 0 = Parallel detect fault did not occur | RO/SC | 0 |
| 1B.3 | Link Partner Acknowledge Interrupt | 1 = Link partner acknowledge occurred 0 = Link partner acknowledge did not occur | RO/SC | 0 |
| 1B.2 | Link-Down Interrupt | 1 = Link-down occurred 0 = Link-down did not occur | RO/SC | 0 |
| 1B.1 | Remote Fault Interrupt | 1 = Remote fault occurred 0 = Remote fault did not occur | RO/SC | 0 |
| 1B.0 | Link-Up Interrupt | 1 = Link-up occurred 0 = Link-up did not occur | RO/SC | 0 |
| Register 1Dh – LinkMD Cable Diagnostic | | | | |
| 1D.15 | Cable Diagnostic Test Enable | 1 = Enable cable diagnostic test. After test has completed, this bit is self-cleared. 0 = Indicates cable diagnostic test (if enabled) has completed and the status information is valid for read. | RW/SC | 0 |

| Address | Name | Description | Mode ⁽¹⁾ | Default |
|-------------------------------------|------------------------------|---|---------------------|-------------|
| 1D.14:13 | Cable Diagnostic Test Result | [00] = Normal condition [01] = Open condition has been detected in cable [10] = Short condition has been detected in cable [11] = Cable diagnostic test has failed | RO | 00 |
| 1D.12 | Short Cable Indicator | 1 = Short cable (<10 meter) has been detected by LinkMD | RO | 0 |
| 1D.11:9 | Reserved | Reserved | RW | 000 |
| 1D.8:0 | Cable Fault Counter | Distance to fault | RO | 0_0000_0000 |
| Register 1Eh – PHY Control 1 | | | | |
| 1E.15:10 | Reserved | Reserved | RO | 0000_00 |
| 1E.9 | Enable Pause (Flow Control) | 1 = Flow control capable 0 = No flow control capability | RO | 0 |
| 1E.8 | Link Status | 1 = Link is up 0 = Link is down | RO | 0 |
| 1E.7 | Polarity Status | 1 = Polarity is reversed 0 = Polarity is not reversed | RO | |
| 1E.6 | Reserved | Reserved | RO | 0 |
| 1E.5 | MDI/MDI-X State | 1 = MDI-X 0 = MDI | RO | |
| 1E.4 | Energy Detect | 1 = Signal present on receive differential pair 0 = No signal detected on receive differential pair | RO | 0 |
| 1E.3 | PHY Isolate | 1 = PHY in isolate mode 0 = PHY in normal operation | RW | 0 |
| 1E.2:0 | Operation Mode Indication | [000] = Still in auto-negotiation [001] = 10Base-T half-duplex [010] = 100Base-TX half-duplex [011] = Reserved [100] = Reserved [101] = 10Base-T full-duplex [110] = 100Base-TX full-duplex [111] = Reserved | RO | 000 |
| Register 1Fh – PHY Control 2 | | | | |
| 1F.15 | HP_MDIX | 1 = HP Auto MDI/MDI-X mode 0 = Micrel Auto MDI/MDI-X mode | RW | 1 |

| Address | Name | Description | Mode ⁽¹⁾ | Default |
|---------|-----------------------------|--|---------------------|---------|
| 1F.14 | MDI/MDI-X Select | When Auto MDI/MDI-X is disabled, 1 = MDI-X mode Transmit on RXP,RXM (pins 5, 4) and Receive on TXP,TXM (pins 7, 6) 0 = MDI mode Transmit on TXP,TXM (pins 7, 6) and Receive on RXP,RXM (pins 5, 4) | RW | 0 |
| 1F.13 | Pair Swap Disable | 1 = Disable Auto MDI/MDI-X 0 = Enable Auto MDI/MDI-X | RW | 0 |
| 1F.12 | Reserved | Reserved | RW | 0 |
| 1F.11 | Force Link | 1 = Force link pass 0 = Normal link operation This bit bypasses the control logic and allows the transmitter to send a pattern even if there is no link. | RW | 0 |
| 1F.10 | Power Saving | 1 = Enable power saving 0 = Disable power saving | RW | 0 |
| 1F.9 | Interrupt Level | 1 = Interrupt pin active high 0 = Interrupt pin active low | RW | 0 |
| 1F.8 | Enable Jabber | 1 = Enable jabber counter 0 = Disable jabber counter | RW | 1 |
| 1F.7 | RMII Reference Clock Select | 1 = RMII 50MHz clock mode; clock input to XI (pin 9) is 50MHz 0 = RMII 25MHz clock mode; clock input to XI (pin 9) is 25MHz This bit applies only to KSZ8091RNB. | RW | 0 |
| 1F.6 | Reserved | Reserved | RW | 0 |
| 1F.5:4 | LED Mode | [00] = LED1: Speed LED0: Link/Activity [01] = LED1: Activity LED0: Link [10], [11] = Reserved The LED1 pin applies only to KSZ8091RNB. | RW | 00 |
| 1F.3 | Disable Transmitter | 1 = Disable transmitter 0 = Enable transmitter | RW | 0 |
| 1F.2 | Remote Loopback | 1 = Remote (analog) loopback is enabled 0 = Normal mode | RW | 0 |
| 1F.1 | Enable SQE Test | 1 = Enable SQE test 0 = Disable SQE test | RW | 0 |
| 1F.0 | Disable Data Scrambling | 1 = Disable scrambler 0 = Enable scrambler | RW | 0 |

Note:

1. RW = Read/Write.
RO = Read only.
SC = Self-cleared.

MMD Registers

MMD registers provide indirect read/write access to up to 32 MMD Device Addresses with each device supporting up to 65,536 16-bit registers, as defined in Clause 22 of the IEEE 802.3 Specification. The KSZ8091MNX/RNB, however, uses only a small fraction of the available registers. See the “[Register Map](#)” section for a list of supported MMD device addresses and their associated register addresses.

The following two standard registers serve as the portal registers to access the indirect MMD registers.

- Standard register Dh – MMD Access – Control
- Standard register Eh – MMD Access – Register/Data

| Address | Name | Description | Mode | Default |
|---|----------------------|--|------|---------------------|
| Register Dh – MMD Access – Control | | | | |
| D.15:14 | MMD – Operation Mode | For the selected MMD device address (bits [4:0] of this register), these two bits select one of the following register or data operations and the usage for MMD Access – Register/Data (Reg. Eh). 00 = Register 01 = Data, no post increment 10 = Data, post increment on reads and writes 11 = Data, post increment on writes only | RW | 00 |
| D.13:5 | Reserved | Reserved | RW | 00_0000_000 |
| D.4:0 | MMD – Device Address | These five bits set the MMD device address. | RW | 0_0000 |
| Register Eh – MMD Access – Register/Data | | | | |
| E.15:0 | MMD – Register/Data | For the selected MMD device address (Reg. Dh, bits [4:0]), When Reg. Dh, bits [15:14] = 00, this register contains the read/write register address for the MMD device address. Otherwise, this register contains the read/write data value for the MMD device address and its selected register address. See also Register Dh, bits [15:14] descriptions for post increment reads and writes of this register for data operation. | RW | 0000_0000_0000_0000 |

Table 15. Portal Registers (Access to Indirect MMD Registers)

Examples:

- **MMD Register Write**

Write MMD – Device Address 1Fh, Register 0h = 0001h to enable link-up detection to trigger PME for WOL.

1. Write register Dh with 001Fh // Set up register address for MMD – Device Address 1Fh.
2. Write register Eh with 0000h // Select register 0h of MMD – Device Address 1Fh.
3. Write register Dh with 401Fh // Select register data for MMD – Device Address 1Fh, Register 0h.
4. Write register Eh with 0001h // Write value 0001h to MMD – Device Address 1Fh, Register 0h.

▪ MMD Register Read

Read MMD – Device Address 1Fh, Register 19h – 1Bh for the magic packet's MAC address

1. Write register Dh with 001Fh // Set up register address for MMD – Device Address 1Fh.
2. Write register Eh with 0019h // Select register 19h of MMD – Device Address 1Fh.
3. Write register Dh with 801Fh // Select register data for MMD – Device Address 1Fh, Register 19h
// with post increments
4. Read register Eh // Read data in MMD – Device Address 1Fh, Register 19h.
5. Read register Eh // Read data in MMD – Device Address 1Fh, Register 1Ah.
6. Read register Eh // Read data in MMD – Device Address 1Fh, Register 1Bh.

MMD Registers – Descriptions

| Address | Name | Description | Mode ⁽¹⁾ | Default |
|---|--------------------------------|---|---------------------|------------------|
| MMD Address 1h, Register 0h – PMA/PMD Control 1 | | | | |
| 1.0.15:13 | Reserved | Reserved | RW | 000 |
| 1.0.12 | LPI enable | Lower Power Idle enable | RW | 0 |
| 1.0.11:0 | Reserved | Reserved | RW | 0000_0000_0000 |
| MMD Address 1h, Register 1h – PMA/PMD Status 1 | | | | |
| 1.1.15:9 | Reserved | Reserved | RO | 0000_000 |
| 1.1.8 | LPI State Entered | 1 = PMA/PMD has entered LPI state 0 = PMA/PMD has not entered LPI state | RO/LH | 0 |
| 1.1.7:4 | Reserved | Reserved | RO | 0000 |
| 1.1.3 | LPI State Indication | 1 = PMA/PMD is currently in LPI state 0 = PMA/PMD is currently not in LPI state | RO | 0 |
| 1.1.2:0 | Reserved | Reserved | RO | 000 |
| MMD Address 3h, Register 0h – EEE PCS Control 1 | | | | |
| 3.0.15:12 | Reserved | Reserved | RO | 0000 |
| 3.0.11 | Reserved | Reserved | RW | 1 |
| 3.0.10 | 100Base-TX RXC Clock Stoppable | During receive lower-power idle mode, 1 = RXC clock is stoppable for 100Base-TX 0 = RXC clock is not stoppable for 100Base-TX This bit applies only to KSZ8091MNX. | RW | 1 |
| 3.0.9:4 | Reserved | Reserved | RW | 00_0001 |
| 3.0.3:2 | Reserved | Reserved | RO | 00 |
| 3.0.1:0 | Reserved | Reserved | RW | 00 |
| MMD Address 7h, Register 3Ch – EEE Advertisement | | | | |
| 7.3C.15:3 | Reserved | Reserved | RO | 0000_0000_0000_0 |
| 7.3C.2 | 1000Base-T EEE Capable | 0 = 1000Mbps EEE is not supported | RO | 0 |
| 7.3C.1 | 100Base-TX EEE Capable | 1 = 100Mbps EEE capable 0 = No 100Mbps EEE capability This bit is set to '0' as the default after power-up or reset. Set this bit to '1' to enable 100Mbps EEE mode. | RW | 0 |
| 7.3C.0 | Reserved | Reserved | RO | 0 |

| Address | Name | Description | Mode ⁽¹⁾ | Default |
|--|---|---|---------------------|------------------|
| MMD Address 7h, Register 3Dh – EEE Link Partner Advertisement | | | | |
| 7.3D.15:3 | Reserved | Reserved | RO | 0000_0000_0000_0 |
| 7.3D.2 | 1000Base-T EEE Capable | 1 = 1000Mbps EEE capable 0 = No 1000Mbps EEE capability | RO | 0 |
| 7.3D.1 | 100Base-TX EEE Capable | 1 = 100Mbps EEE capable 0 = No 100Mbps EEE capability | RO | 0 |
| 7.3D.0 | Reserved | Reserved | RO | 0 |
| MMD Address 1Fh, Register 0h – Wake-On-LAN – Control | | | | |
| 1F.0.15:14 | PME Output Select | These two bits work in conjunction with Reg. 16h, Bit [15] for PME enable to define the output for pins 21 and 30. INTRP/PME_N2 (pin 21) 00 = INTRP output 01 = PME_N2 output 10 = INTRP and PME_N2 output 11 = Reserved LED0/PME_N1 (pin 30) 00 = PME_N1 output 01 = LED0 output 10 = LED0 output 11 = PME_N1 output | RW | 00 |
| 1F.0.13:7 | Reserved | Reserved | RO | 00_0000_0 |
| 1F.0.6 | Magic Packet Detect Enable | 1 = Enable magic-packet detection 0 = Disable magic-packet detection | RW | 0 |
| 1F.0.5 | Custom- Packet Type 3 Detect Enable | 1 = Enable custom-packet, Type 3 detection 0 = Disable custom-packet, Type 3 detection | RW | 0 |
| 1F.0.4 | Custom- Packet Type 2 Detect Enable | 1 = Enable custom-packet, Type 2 detection 0 = Disable custom-packet, Type 2 detection | RW | 0 |
| 1F.0.3 | Custom- Packet Type 1 Detect Enable | 1 = Enable custom-packet, Type 1 detection 0 = Disable custom-packet, Type 1 detection | RW | 0 |
| 1F.0.2 | Custom- Packet Type 0 Detect Enable | 1 = Enable custom-packet, Type 0 detection 0 = Disable custom-packet, Type 0 detection | RW | 0 |
| 1F.0.1 | Link-Down Detect Enable | 1 = Enable link-down detection 0 = Disable link-down detection | RW | 0 |
| 1F.0.0 | Link-Up Detect Enable | 1 = Enable link-up detection 0 = Disable link-up detection | RW | 0 |

| Address | Name | Description | Mode ⁽¹⁾ | Default |
|---|-----------------------------------|---|---------------------|---------------------|
| MMD Address 1Fh, Register 1h – Wake-On-LAN – Customized Packet, Type 0, Mask 0 MMD Address 1Fh, Register 7h – Wake-On-LAN – Customized Packet, Type 1, Mask 0 MMD Address 1Fh, Register Dh – Wake-On-LAN – Customized Packet, Type 2, Mask 0 MMD Address 1Fh, Register 13h – Wake-On-LAN – Customized Packet, Type 3, Mask 0 | | | | |
| 1F.1.15:0 1F.7.15:0 1F.D.15:0 1F.13.15:0 | Custom Packet Type X Mask 0 | This register selects the bytes in the first 16 bytes of the packet (bytes 1 thru 16) that will be used for CRC calculation. For each bit in this register, 1 = Byte is selected for CRC calculation 0 = Byte is not selected for CRC calculation The register-bit to packet-byte mapping is as follows: Bit [15] : byte-16 ... : ... Bit [1] : byte-2 Bit [0] : byte-1 | RW | 0000_0000_0000_0000 |
| MMD Address 1Fh, Register 2h – Wake-On-LAN – Customized Packet, Type 0, Mask 1 MMD Address 1Fh, Register 8h – Wake-On-LAN – Customized Packet, Type 1, Mask 1 MMD Address 1Fh, Register Eh – Wake-On-LAN – Customized Packet, Type 2, Mask 1 MMD Address 1Fh, Register 14h – Wake-On-LAN – Customized Packet, Type 3, Mask 1 | | | | |
| 1F.2.15:0 1F.8.15:0 1F.E.15:0 1F.14.15:0 | Custom Packet Type X Mask 1 | This register selects the bytes in the second 16 bytes of the packet (bytes 17 thru 32) that will be used for CRC calculation. For each bit in this register, 1 = Byte is selected for CRC calculation 0 = Byte is not selected for CRC calculation The register-bit to packet-byte mapping is as follows: Bit [15] : byte-32 ... : ... Bit [1] : byte-18 Bit [0] : byte-17 | RW | 0000_0000_0000_0000 |

| Address | Name | Description | Mode ⁽¹⁾ | Default |
|--|-----------------------------------|---|---------------------|---------------------|
| MMD Address 1Fh, Register 3h – Wake-On-LAN – Customized Packet, Type 0, Mask 2 MMD Address 1Fh, Register 9h – Wake-On-LAN – Customized Packet, Type 1, Mask 2 MMD Address 1Fh, Register Fh – Wake-On-LAN – Customized Packet, Type 2, Mask 2 MMD Address 1Fh, Register 15h – Wake-On-LAN – Customized Packet, Type 3, Mask 2 | | | | |
| 1F.3.15:0 1F.9.15:0 1F.F.15:0 1F.15.15:0 | Custom Packet Type X Mask 2 | This register selects the bytes in the third 16 bytes of the packet (bytes 33 thru 48) that will be used for CRC calculation. For each bit in this register, 1 = Byte is selected for CRC calculation 0 = Byte is not selected for CRC calculation The register-bit to packet-byte mapping is as follows: Bit [15] : byte-48 ... : ... Bit [1] : byte-34 Bit [0] : byte-33 | RW | 0000_0000_0000_0000 |
| MMD Address 1Fh, Register 4h – Wake-On-LAN – Customized Packet, Type 0, Mask 3 MMD Address 1Fh, Register Ah – Wake-On-LAN – Customized Packet, Type 1, Mask 3 MMD Address 1Fh, Register 10h – Wake-On-LAN – Customized Packet, Type 2, Mask 3 MMD Address 1Fh, Register 16h – Wake-On-LAN – Customized Packet, Type 3, Mask 3 | | | | |
| 1F.4.15:0 1F.A.15:0 1F.10.15:0 1F.16.15:0 | Custom Packet Type X Mask 3 | This register selects the bytes in the fourth 16 bytes of the packet (bytes 49 thru 64) that will be used for CRC calculation. For each bit in this register, 1 = Byte is selected for CRC calculation 0 = Byte is not selected for CRC calculation The register-bit to packet-byte mapping is as follows: Bit [15] : byte-64 ... : ... Bit [1] : byte-50 Bit [0] : byte-49 | RW | 0000_0000_0000_0000 |

| Address | Name | Description | Mode ⁽¹⁾ | Default |
|--|----------------------------------|---|---------------------|---------------------|
| MMD Address 1Fh, Register 5h – Wake-On-LAN – Customized Packet, Type 0, Expected CRC 0 | | | | |
| MMD Address 1Fh, Register Bh – Wake-On-LAN – Customized Packet, Type 1, Expected CRC 0 | | | | |
| MMD Address 1Fh, Register 11h – Wake-On-LAN – Customized Packet, Type 2, Expected CRC 0 | | | | |
| MMD Address 1Fh, Register 17h – Wake-On-LAN – Customized Packet, Type 3, Expected CRC 0 | | | | |
| 1F.5.15:0 1F.B.15:0 1F.11.15:0 1F.17.15:0 | Custom Packet Type X CRC 0 | This register stores the lower two bytes for the expected CRC. Bit [15:8] = Byte 2 (CRC [15:8]) Bit [7:0] = Byte 1 (CRC [7:0]) The upper two bytes for the expected CRC are stored in the following register. | RW | 0000_0000_0000_0000 |
| MMD Address 1Fh, Register 6h – Wake-On-LAN – Customized Packet, Type 0, Expected CRC 1 | | | | |
| MMD Address 1Fh, Register Ch – Wake-On-LAN – Customized Packet, Type 1, Expected CRC 1 | | | | |
| MMD Address 1Fh, Register 12h – Wake-On-LAN – Customized Packet, Type 2, Expected CRC 1 | | | | |
| MMD Address 1Fh, Register 18h – Wake-On-LAN – Customized Packet, Type 3, Expected CRC 1 | | | | |
| 1F.6.15:0 1F.C.15:0 1F.12.15:0 1F.18.15:0 | Custom Packet Type X CRC 1 | This register stores the upper two bytes for the expected CRC. Bit [15:8] = Byte 4 (CRC [31:24]) Bit [7:0] = Byte 3 (CRC [23:16]) The lower two bytes for the expected CRC are stored in the previous register. | RW | 0000_0000_0000_0000 |
| MMD Address 1Fh, Register 19h – Wake-On-LAN – Magic Packet, MAC-DA-0 | | | | |
| 1F.19.15:0 | Magic Packet MAC-DA-0 | This register stores the lower two bytes of the destination MAC address for the magic packet. Bit [15:8] = Byte 2 (MAC Address [15:8]) Bit [7:0] = Byte 1 (MAC Address [7:0]) The upper four bytes of the destination MAC address are stored in the following two registers. | RW | 0000_0000_0000_0000 |
| MMD Address 1Fh, Register 1Ah – Wake-On-LAN – Magic Packet, MAC-DA-1 | | | | |
| 1F.1A.15:0 | Magic Packet MAC-DA-1 | This register stores the middle two bytes of the destination MAC address for the magic packet. Bit [15:8] = Byte 4 (MAC Address [31:24]) Bit [7:0] = Byte 3 (MAC Address [23:16]) The lower two bytes and upper two bytes of the destination MAC address are stored in the previous and following registers, respectively. | RW | 0000_0000_0000_0000 |

| Address | Name | Description | Mode ⁽¹⁾ | Default |
|---|--------------------------|---|---------------------|---------------------|
| MMD Address 1Fh, Register 1Bh – Wake-On-LAN – Magic Packet, MAC-DA-2 | | | | |
| 1F.1B.15:0 | Magic Packet MAC-DA-2 | This register stores the upper two bytes of the destination MAC address for the magic packet. Bit [15:8] = Byte 6 (MAC Address [47:40]) Bit [7:0] = Byte 5 (MAC Address [39:32]) The lower four bytes of the destination MAC address are stored in the previous two registers. | RW | 0000_0000_0000_0000 |

Note:

1. RW = Read/Write.
RO = Read only.
LH = Latch high.

Absolute Maximum Ratings⁽¹⁾

| | |
|--------------------------------------|-----------------|
| Supply Voltage (V_{IN}) | |
| ($V_{DD1,2}$) | -0.5V to +1.8V |
| ($V_{DDIO}, V_{DDA,3,3}$) | -0.5V to +5.0V |
| Input Voltage (all inputs) | -0.5V to +5.0V |
| Output Voltage (all outputs) | -0.5V to +5.0V |
| Lead Temperature (soldering, 10sec.) | 260°C |
| Storage Temperature (T_s) | -55°C to +150°C |

Operating Ratings⁽²⁾

| | |
|--|--------------------|
| Supply Voltage | |
| ($V_{DDIO,3,3}, V_{DDA,3,3}$) | +3.135V to +3.465V |
| ($V_{DDIO,2,5}$) | +2.375V to +2.625V |
| ($V_{DDIO,1,8}$) | +1.710V to +1.890V |
| Ambient Temperature | |
| (T_A , Commercial) | 0°C to +70°C |
| (T_A , Industrial) | -40°C to +85°C |
| Maximum Junction Temperature (T_J max.) | 125°C |
| Thermal Resistance (θ_{JA}) | 34°C/W |
| Thermal Resistance (θ_{JC}) | 6°C/W |

Electrical Characteristics⁽³⁾

| Symbol | Parameter | Condition | Min. | Typ. | Max. | Units |
|---|--------------------------|---|------|------|------|---------|
| Supply Current ($V_{DDIO}, V_{DDA,3,3} = 3.3V$)⁽⁴⁾ | | | | | | |
| $I_{DD1,3,3V}$ | 10Base-T | Full-duplex traffic @ 100% utilization | | 41 | | mA |
| $I_{DD2,3,3V}$ | 100Base-TX | Full-duplex traffic @ 100% utilization | | 47 | | mA |
| $I_{DD3,3,3V}$ | EEE (100Mbps) Mode | TX and RX paths in LPI state with no traffic | | 23 | | mA |
| $I_{DD4,3,3V}$ | EDPD Mode | Ethernet cable disconnected (reg. 18h.11 = 0) | | 20 | | mA |
| $I_{DD5,3,3V}$ | Power-Down Mode | Software power-down (reg. 0h.11 = 1) | | 4 | | mA |
| CMOS Level Inputs | | | | | | |
| V_{IH} | Input High Voltage | $V_{DDIO} = 3.3V$ | 2.0 | | | V |
| | | $V_{DDIO} = 2.5V$ | 1.8 | | | V |
| | | $V_{DDIO} = 1.8V$ | 1.3 | | | V |
| V_{IL} | Input Low Voltage | $V_{DDIO} = 3.3V$ | | | 0.8 | V |
| | | $V_{DDIO} = 2.5V$ | | | 0.7 | V |
| | | $V_{DDIO} = 1.8V$ | | | 0.5 | V |
| $ I_{IN} $ | Input Current | $V_{IN} = GND \sim V_{DDIO}$ | | | 10 | μA |
| CMOS Level Outputs | | | | | | |
| V_{OH} | Output High Voltage | $V_{DDIO} = 3.3V$ | 2.4 | | | V |
| | | $V_{DDIO} = 2.5V$ | 2.0 | | | V |
| | | $V_{DDIO} = 1.8V$ | 1.5 | | | V |
| V_{OL} | Output Low Voltage | $V_{DDIO} = 3.3V$ | | | 0.4 | V |
| | | $V_{DDIO} = 2.5V$ | | | 0.4 | V |
| | | $V_{DDIO} = 1.8V$ | | | 0.3 | V |
| $ I_{OZ} $ | Output Tri-State Leakage | | | | 10 | μA |
| LED Output | | | | | | |
| I_{LED} | Output Drive Current | Each LED pin (LED0, LED1) | | 8 | | mA |

Notes:

- Exceeding the absolute maximum rating can damage the device. Stresses greater than the absolute maximum rating can cause permanent damage to the device. Operation of the device at these or any other conditions above those specified in the operating sections of this specification is not implied. Maximum conditions for extended periods may affect reliability.
- The device is not guaranteed to function outside its operating rating.
- $T_A = 25^\circ C$. Specification is for packaged product only.
- Current consumption is for the single 3.3V supply KSZ8091MNX/RNB device only, and includes the transmit driver current and the 1.2V supply voltage ($V_{DD1,2}$) that are supplied by the KSZ8091MNX/RNB.

| Symbol | Parameter | Condition | Min. | Typ. | Max. | Units |
|--|--|--|------|------|------------|------------|
| All Pull-Up/Pull-Down Pins (including Strapping Pins) | | | | | | |
| pu | Internal Pull-Up Resistance | $V_{DDIO} = 3.3V$ | 30 | 45 | 73 | k Ω |
| | | $V_{DDIO} = 2.5V$ | 39 | 61 | 102 | k Ω |
| | | $V_{DDIO} = 1.8V$ | 48 | 99 | 178 | k Ω |
| pd | Internal Pull-Down Resistance | $V_{DDIO} = 3.3V$ | 26 | 43 | 79 | k Ω |
| | | $V_{DDIO} = 2.5V$ | 34 | 59 | 113 | k Ω |
| | | $V_{DDIO} = 1.8V$ | 53 | 99 | 200 | k Ω |
| 100Base-TX Transmit (measured differentially after 1:1 transformer) | | | | | | |
| V_O | Peak Differential Output Voltage | 100 Ω termination across differential output | 0.95 | | 1.05 | V |
| V_{IMB} | Output Voltage Imbalance | 100 Ω termination across differential output | | | 2 | % |
| t_r, t_f | Rise/Fall Time | | 3 | | 5 | ns |
| | Rise/Fall Time Imbalance | | 0 | | 0.5 | ns |
| | Duty Cycle Distortion | | | | ± 0.25 | ns |
| | Overshoot | | | | 5 | % |
| | Output Jitter | Peak-to-peak | | 0.7 | | ns |
| 10Base-T Transmit (measured differentially after 1:1 transformer) | | | | | | |
| V_P | Peak Differential Output Voltage | 100 Ω termination across differential output | 2.2 | | 2.8 | V |
| | Jitter Added | Peak-to-peak | | | 3.5 | ns |
| t_r, t_f | Rise/Fall Time | | | 25 | | ns |
| 10Base-T Receive | | | | | | |
| V_{SQ} | Squelch Threshold | 5MHz square wave | | 400 | | mV |
| Transmitter – Drive Setting | | | | | | |
| V_{SET} | Reference Voltage of I_{SET} | $R(I_{SET}) = 6.49k\Omega$ | | 0.65 | | V |
| REF_CLK Output | | | | | | |
| | 50MHz RMII Clock Output Jitter | Peak-to-peak (Applies only to KSZ8091RNB in RMII – 25MHz clock mode) | | 300 | | ps |
| 100Mbps Mode – Industrial Applications Parameters | | | | | | |
| | Clock Phase Delay – XI Input to MII TXC Output | XI (25MHz clock input) to MII TXC (25MHz clock output) delay, referenced to rising edges of both clocks. (Applies only to KSZ8091MNX in MII mode) | 15 | 20 | 25 | ns |
| t_{lr} | Link Loss Reaction (Indication) Time | Link loss detected at receive differential inputs to PHY signal indication time for each of the following: 1. For LED mode 00 (KSZ8091RNB only), Speed LED output changes from low (100Mbps) to high (10Mbps, default state for link-down). 2. For LED mode 01, Link LED output changes from low (link-up) to high (link-down). 3. INTRP pin asserts for link-down status change. | | 4.4 | | μ s |

Timing Diagrams

MII SQE Timing (10Base-T)

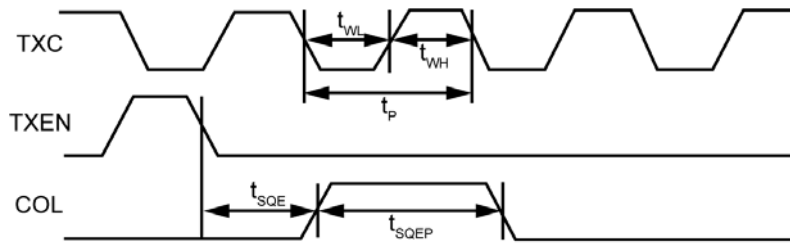


Figure 16. MII SQE Timing (10Base-T)

| Timing Parameter | Description | Min. | Typ. | Max. | Unit |
|------------------|--|------|------|------|---------|
| t_p | TXC period | | 400 | | ns |
| t_{wL} | TXC pulse width low | | 200 | | ns |
| t_{wH} | TXC pulse width high | | 200 | | ns |
| t_{SQE} | COL (SQE) delay after TXEN de-asserted | | 2.2 | | μ s |
| t_{SQEP} | COL (SQE) pulse duration | | 1.0 | | μ s |

Table 16. MII SQE Timing (10Base-T) Parameters

MII Transmit Timing (10Base-T)

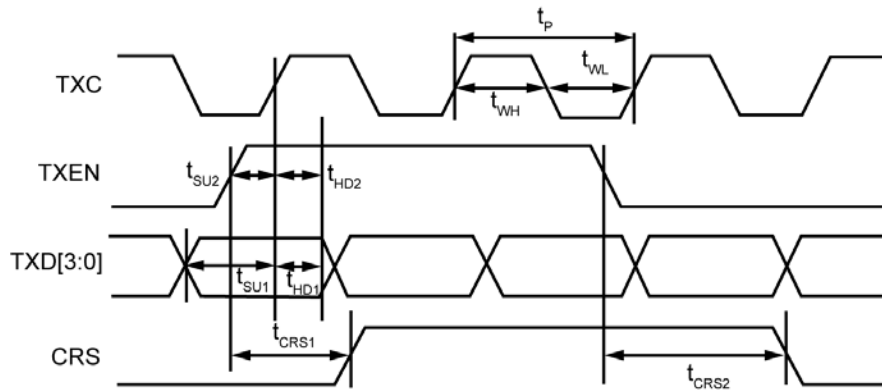


Figure 17. MII Transmit Timing (10Base-T)

| Timing Parameter | Description | Min. | Typ. | Max. | Unit |
|------------------|---------------------------------------|------|------|------|---------|
| t_P | TXC period | | 400 | | ns |
| t_{WL} | TXC pulse width low | | 200 | | ns |
| t_{WH} | TXC pulse width high | | 200 | | ns |
| t_{SU1} | TXD[3:0] setup to rising edge of TXC | 120 | | | ns |
| t_{SU2} | TXEN setup to rising edge of TXC | 120 | | | ns |
| t_{HD1} | TXD[3:0] hold from rising edge of TXC | 0 | | | ns |
| t_{HD2} | TXEN hold from rising edge of TXC | 0 | | | ns |
| t_{CRS1} | TXEN high to CRS asserted latency | | 600 | | ns |
| t_{CRS2} | TXEN low to CRS de-asserted latency | | 1.0 | | μ s |

Table 17. MII Transmit Timing (10Base-T) Parameters

MII Receive Timing (10Base-T)

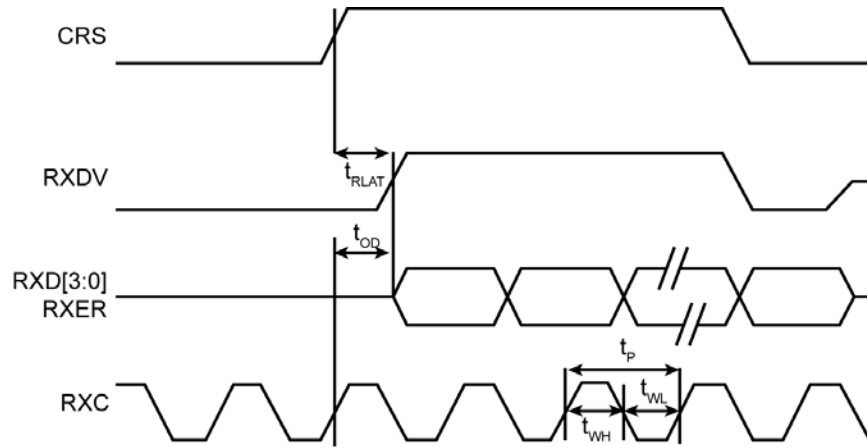


Figure 18. MII Receive Timing (10Base-T)

| Timing Parameter | Description | Min. | Typ. | Max. | Unit |
|------------------|---|------|------|------|---------|
| t_P | RXC period | | 400 | | ns |
| t_{WL} | RXC pulse width low | | 200 | | ns |
| t_{WH} | RXC pulse width high | | 200 | | ns |
| t_{OD} | (RXDV, RXD[3:0], RXER) output delay from rising edge of RXC | | 205 | | ns |
| t_{RLAT} | CRS to (RXDV, RXD[3:0]) latency | | 7.2 | | μ s |

Table 18. MII Receive Timing (10Base-T) Parameters

MII Transmit Timing (100Base-TX)

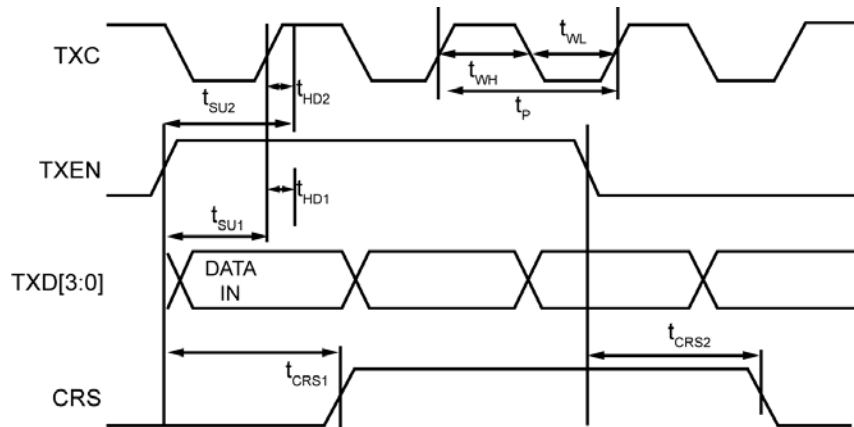


Figure 19. MII Transmit Timing (100Base-TX)

| Timing Parameter | Description | Min. | Typ. | Max. | Unit |
|------------------|---------------------------------------|------|------|------|------|
| t_P | TXC period | | 40 | | ns |
| t_{WL} | TXC pulse width low | | 20 | | ns |
| t_{WH} | TXC pulse width high | | 20 | | ns |
| t_{SU1} | TXD[3:0] setup to rising edge of TXC | 10 | | | ns |
| t_{SU2} | TXEN setup to rising edge of TXC | 10 | | | ns |
| t_{HD1} | TXD[3:0] hold from rising edge of TXC | 0 | | | ns |
| t_{HD2} | TXEN hold from rising edge of TXC | 0 | | | ns |
| t_{CRS1} | TXEN high to CRS asserted latency | | 72 | | ns |
| t_{CRS2} | TXEN low to CRS de-asserted latency | | 72 | | ns |

Table 19. MII Transmit Timing (100Base-TX) Parameters

MII Receive Timing (100Base-TX)

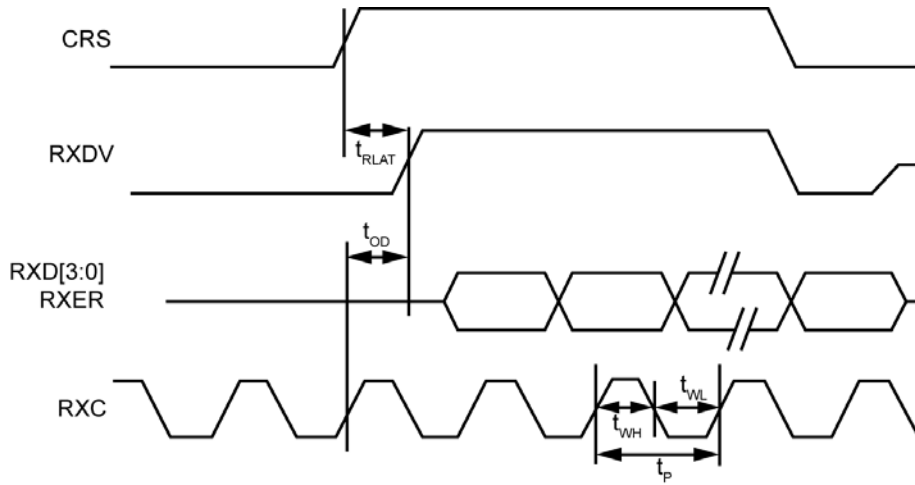


Figure 20. MII Receive Timing (100Base-TX)

| Timing Parameter | Description | Min. | Typ. | Max. | Unit |
|------------------|---|------|------|------|------|
| t_P | RXC period | | 40 | | ns |
| t_{WL} | RXC pulse width low | | 20 | | ns |
| t_{WH} | RXC pulse width high | | 20 | | ns |
| t_{OD} | (RXDV, RXD[3:0], RXER) output delay from rising edge of RXC | | 25 | | ns |
| t_{RLAT} | CRS to (RXDV, RXD[3:0]) latency | | 170 | | ns |

Table 20. MII Receive Timing (100Base-TX) Parameters

RMII Timing

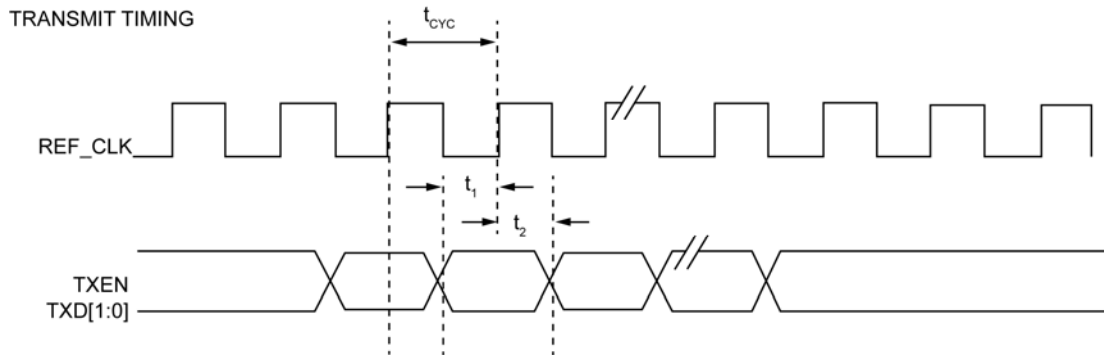


Figure 21. RMII Timing – Data Received from RMII

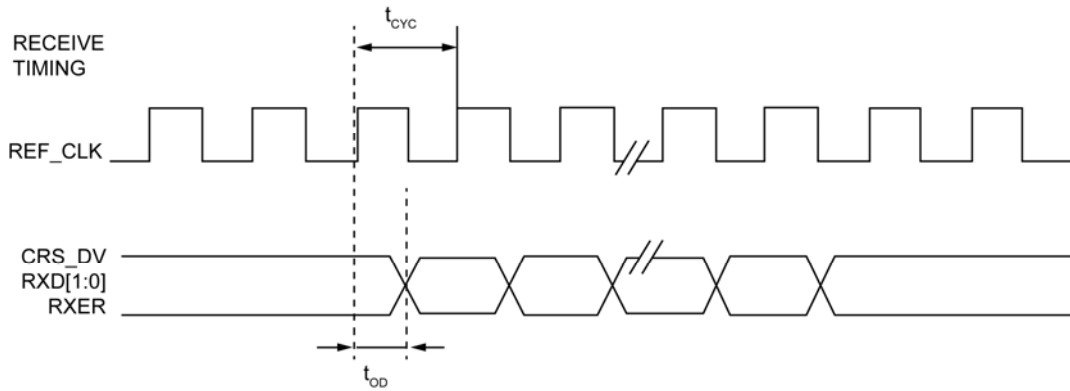


Figure 22. RMII Timing – Data Input to RMII

| Timing Parameter | Description | Min. | Typ. | Max. | Unit |
|------------------|--------------|------|------|------|------|
| t_{cyc} | Clock cycle | | 20 | | ns |
| t_1 | Setup time | 4 | | | ns |
| t_2 | Hold time | 2 | | | ns |
| t_{od} | Output delay | 7 | 10 | 13 | ns |

Table 21. RMII Timing Parameters – KSZ8091RNB (25MHz input to XI pin, 50MHz output from REF_CLK pin)

| Timing Parameter | Description | Min. | Typ. | Max. | Unit |
|------------------|--------------|------|------|------|------|
| t_{cyc} | Clock cycle | | 20 | | ns |
| t_1 | Setup time | 4 | | | ns |
| t_2 | Hold time | 2 | | | ns |
| t_{od} | Output delay | 8 | 11 | 13 | ns |

Table 22. RMII Timing Parameters – KSZ8091RNB (50MHz input to XI pin)

Auto-Negotiation Timing

AUTO-NEGOTIATION FAST LINK PULSE (FLP) TIMING

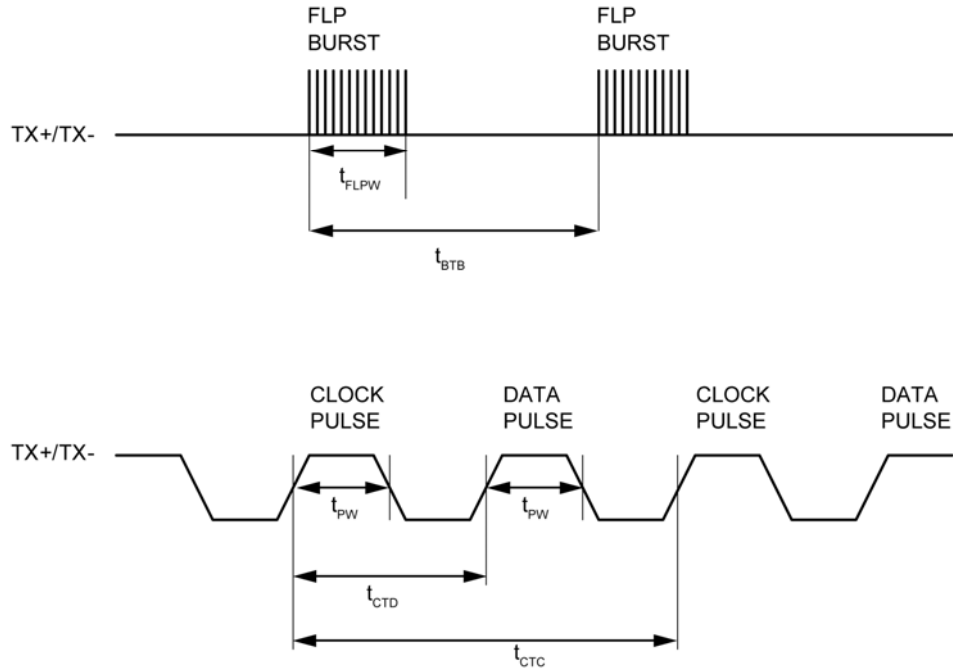


Figure 23. Auto-Negotiation Fast Link Pulse (FLP) Timing

| Timing Parameter | Description | Min. | Typ. | Max. | Units |
|------------------|---|------|------|------|---------|
| t_{BTB} | FLP burst to FLP burst | 8 | 16 | 24 | ms |
| t_{FLPW} | FLP burst width | | 2 | | ms |
| t_{PW} | Clock/Data pulse width | | 100 | | ns |
| t_{CTD} | Clock pulse to data pulse | 55.5 | 64 | 69.5 | μ s |
| t_{CTC} | Clock pulse to clock pulse | 111 | 128 | 139 | μ s |
| | Number of clock/data pulses per FLP burst | 17 | | 33 | |

Table 23. Auto-Negotiation Fast Link Pulse (FLP) Timing Parameters

MDC/MDIO Timing

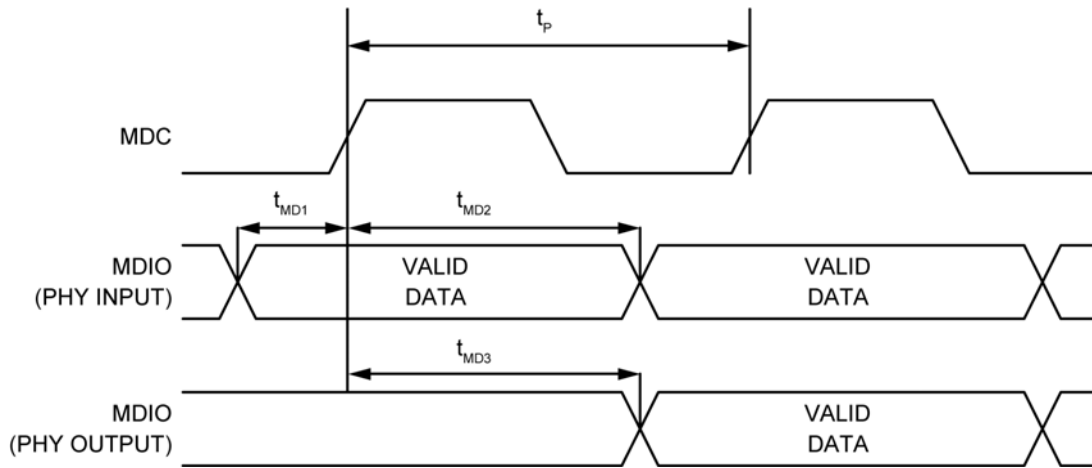


Figure 24. MDC/MDIO Timing

| Timing Parameter | Description | Min. | Typ. | Max. | Unit |
|------------------|---|------|------|------|------|
| t_p | MDC period | | 400 | | ns |
| t_{MD1} | MDIO (PHY input) setup to rising edge of MDC | 10 | | | ns |
| t_{MD2} | MDIO (PHY input) hold from rising edge of MDC | 4 | | | ns |
| t_{MD3} | MDIO (PHY output) delay from rising edge of MDC | 5 | | | ns |

Table 24. MDC/MDIO Timing Parameters

Power-Up/Reset Timing

The KSZ8091MNX/RNB reset timing requirement is summarized in [Figure 25](#) and [Table 25](#).

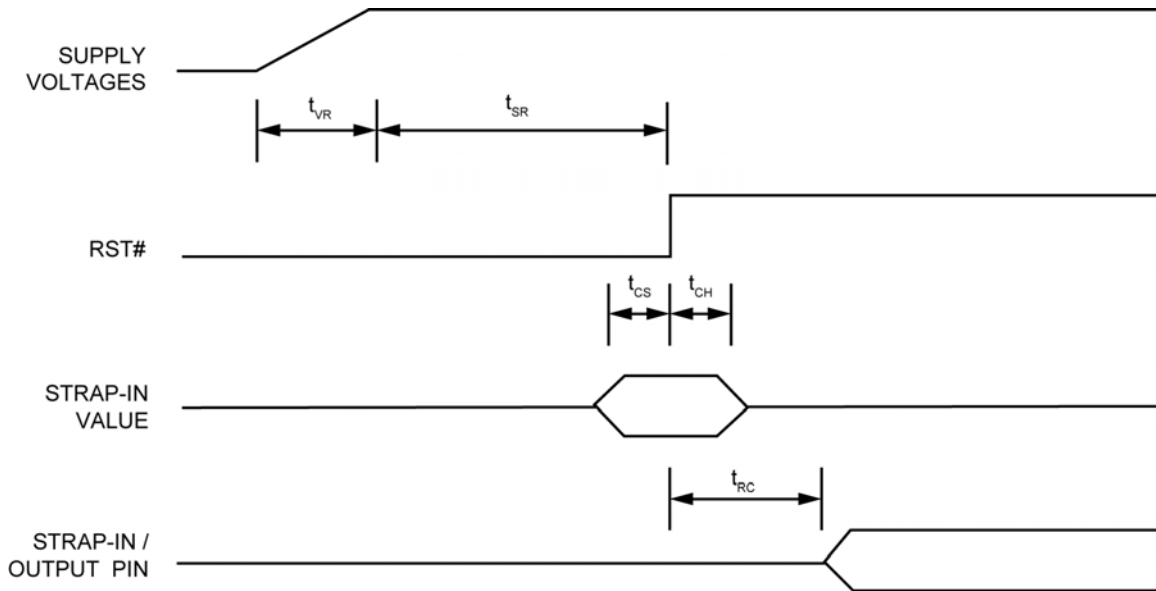


Figure 25. Power-Up/Reset Timing

| Parameter | Description | Min. | Max. | Units |
|-----------|--|------|------|---------|
| t_{VR} | Supply voltage (V_{DDIO} , $V_{DDA_{3.3}}$) rise time | 300 | | μs |
| t_{SR} | Stable supply voltage (V_{DDIO} , $V_{DDA_{3.3}}$) to reset high | 10 | | ms |
| t_{CS} | Configuration setup time | 5 | | ns |
| t_{CH} | Configuration hold time | 5 | | ns |
| t_{RC} | Reset to strap-in pin output | 6 | | ns |

Table 25. Power-Up/Reset Timing Parameters

The supply voltage (V_{DDIO} and $V_{DDA_{3.3}}$) power-up waveform should be monotonic. The 300 μs minimum rise time is from 10% to 90%.

For warm reset, the reset (RST#) pin should be asserted low for a minimum of 500 μs . The strap-in pin values are read and updated at the de-assertion of reset.

After the de-assertion of reset, wait a minimum of 100 μs before starting programming on the MIIM (MDC/MDIO) interface.

Reset Circuit

Figure 26 shows a reset circuit recommended for powering up the KSZ8091MNX/RNB if reset is triggered by the power supply.

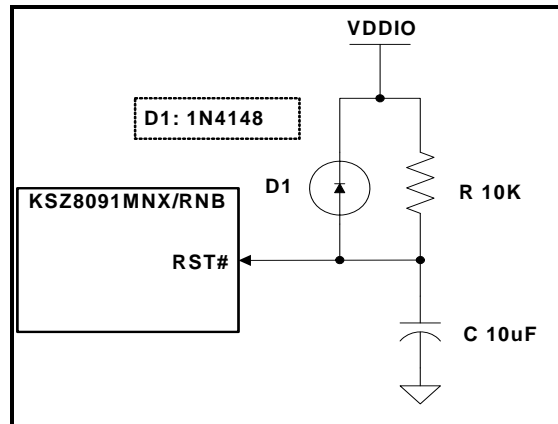


Figure 26. Recommended Reset Circuit

Figure 27 shows a reset circuit recommended for applications where reset is driven by another device (for example, the CPU or an FPGA). At power-on-reset, R, C, and D1 provide the necessary ramp rise time to reset the KSZ8091MNX/RNB device. The RST_OUT_N from the CPU/FPGA provides the warm reset after power-up.

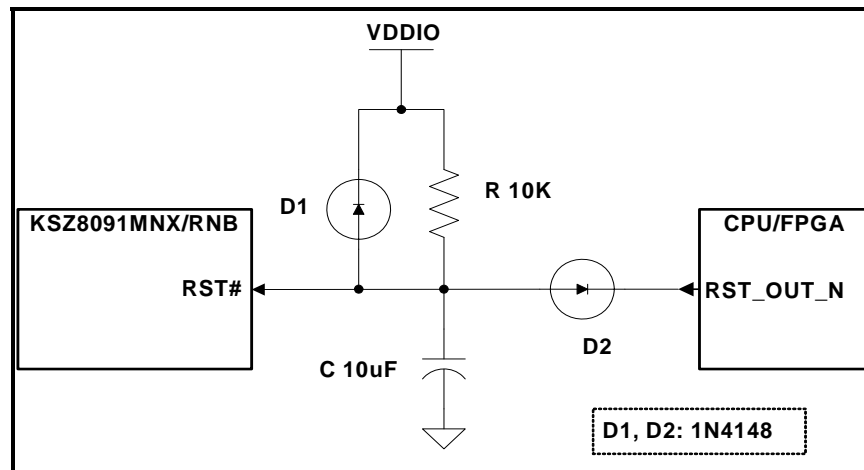


Figure 27. Recommended Reset Circuit for Interfacing with CPU/FPGA Reset Output

Reference Circuits – LED Strap-In Pins

The pull-up, float, and pull-down reference circuits for the LED1/SPEED and LED0/PME_N1/NWAYEN strapping pins are shown in Figure 28 for 3.3V and 2.5V VDDIO.

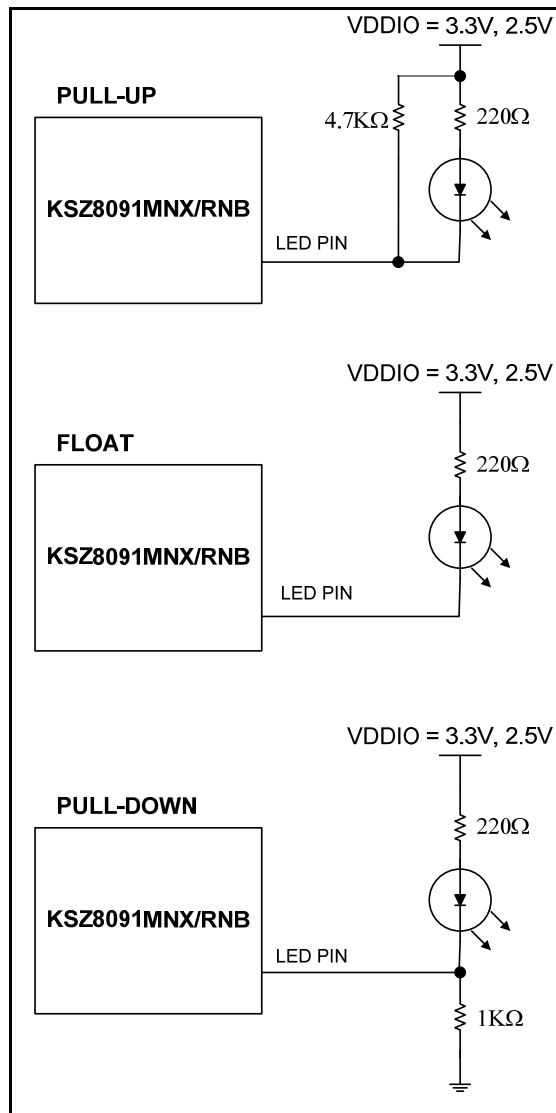


Figure 28. Reference Circuits for LED Strapping Pins

For 1.8V VDDIO, LED indication support is not recommended due to the low voltage. Without the LED indicator, the SPEED and NWAYEN strapping pins are functional with a 4.7kΩ pull-up to 1.8V VDDIO or float for a value of '1', and with a 1.0kΩ pull-down to ground for a value of '0'.

Reference Clock – Connection and Selection

A crystal or external clock source, such as an oscillator, is used to provide the reference clock for the KSZ8091MNX/RNB. For the KSZ8091MNX in all operating modes and for the KSZ8091RNB in RMII – 25MHz Clock Mode, the reference clock is 25 MHz. The reference clock connections to XI (pin 9) and XO (pin 8), and the reference clock selection criteria, are provided in [Figure 29](#) and [Table 26](#).

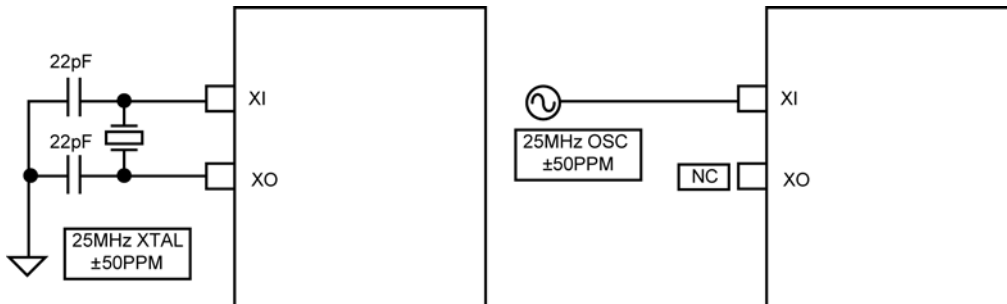


Figure 29. 25MHz Crystal/Oscillator Reference Clock Connection

| Characteristics | Value | Units |
|----------------------------|-------|-------|
| Frequency | 25 | MHz |
| Frequency tolerance (max.) | ±50 | ppm |

Table 26. 25MHz Crystal / Reference Clock Selection Criteria

For the KSZ8091RNB in RMII – 50MHz clock mode, the reference clock is 50MHz. The reference clock connections to XI (pin 9), and the reference clock selection criteria are provided in [Figure 30](#) and [Table 27](#).

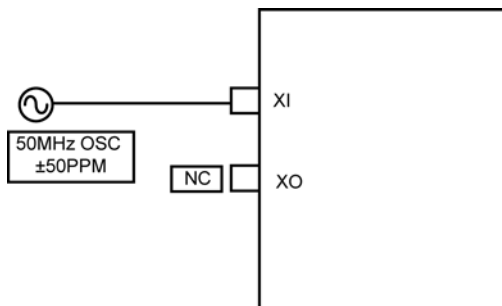


Figure 30. 50MHz Oscillator Reference Clock Connection

| Characteristics | Value | Units |
|---------------------------|-------|-------|
| Frequency | 50 | MHz |
| Frequency tolerance (max) | ±50 | ppm |

Table 27. 50MHz Oscillator / Reference Clock Selection Criteria

Magnetic – Connection and Selection

A 1:1 isolation transformer is required at the line interface. Use one with integrated common-mode chokes for designs exceeding FCC requirements.

The KSZ8091MNX/RNB design incorporates voltage-mode transmit drivers and on-chip terminations.

With the voltage-mode implementation, the transmit drivers supply the common-mode voltages to the two differential pairs. Therefore, the two transformer center tap pins on the KSZ8091MNX/RNB side should not be connected to any power supply source on the board; instead, the center tap pins should be separated from one another and connected through separate 0.1µF common-mode capacitors to ground. Separation is required because the common-mode voltage is different between transmitting and receiving differential pairs.

Figure 31 shows the typical magnetic interface circuit for the KSZ8091MNX/RNB.

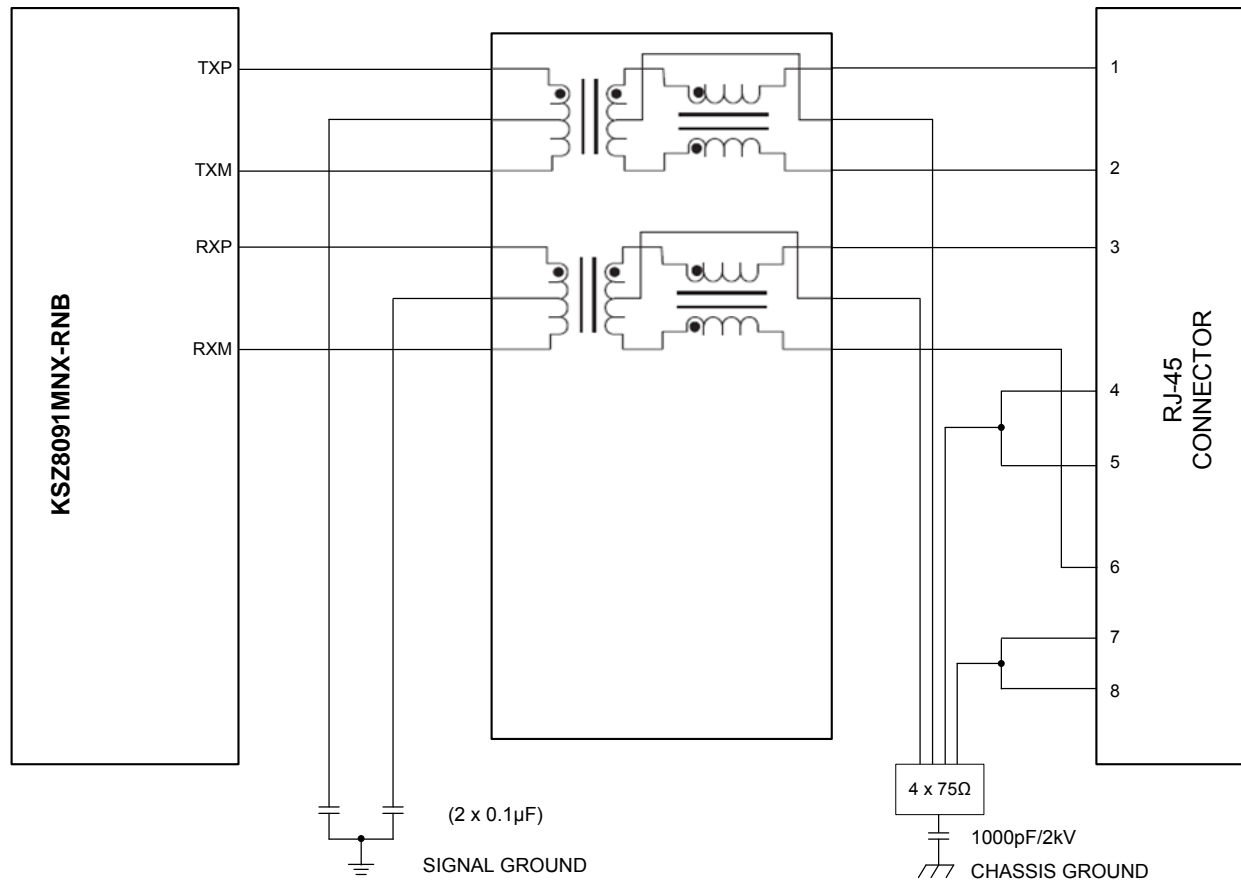


Figure 31. Typical Magnetic Interface Circuit

Table 28 lists recommended magnetic characteristics.

| Parameter | Value | Test Condition |
|--------------------------------|-------------|--------------------|
| Turns ratio | 1 CT : 1 CT | |
| Open-circuit inductance (min.) | 350 μ H | 100mV, 100kHz, 8mA |
| Insertion loss (typ.) | -1.1dB | 100kHz to 100MHz |
| HIPOT (min.) | 1500Vrms | |

Table 28. Magnetics Selection Criteria

Table 29 is a list of compatible single-port magnetics with separated transformer center tap pins on the PHY chip side that can be used with the KSZ8091MNX/RNB.

| Manufacturer | Part Number | Temperature Range | Magnetic + RJ-45 |
|--------------|------------------|-------------------|------------------|
| Bel Fuse | S558-5999-U7 | 0°C to 70°C | No |
| Bel Fuse | SI-46001-F | 0°C to 70°C | Yes |
| Bel Fuse | SI-50170-F | 0°C to 70°C | Yes |
| Delta | LF8505 | 0°C to 70°C | No |
| HALO | HFJ11-2450E | 0°C to 70°C | Yes |
| HALO | TG110-E055N5 | -40°C to 85°C | No |
| LANKom | LF-H41S-1 | 0°C to 70°C | No |
| Pulse | H1102 | 0°C to 70°C | No |
| Pulse | H1260 | 0°C to 70°C | No |
| Pulse | HX1188 | -40°C to 85°C | No |
| Pulse | J00-0014 | 0°C to 70°C | Yes |
| Pulse | JX0011D21NL | -40°C to 85°C | Yes |
| TDK | TLA-6T718A | 0°C to 70°C | Yes |
| Transpower | HB726 | 0°C to 70°C | No |
| Würth/Midcom | 000-7090-37R-LF1 | -40°C to 85°C | No |

Table 29. Compatible Single-Port 10/100 Magnetics

Recommended Land Pattern

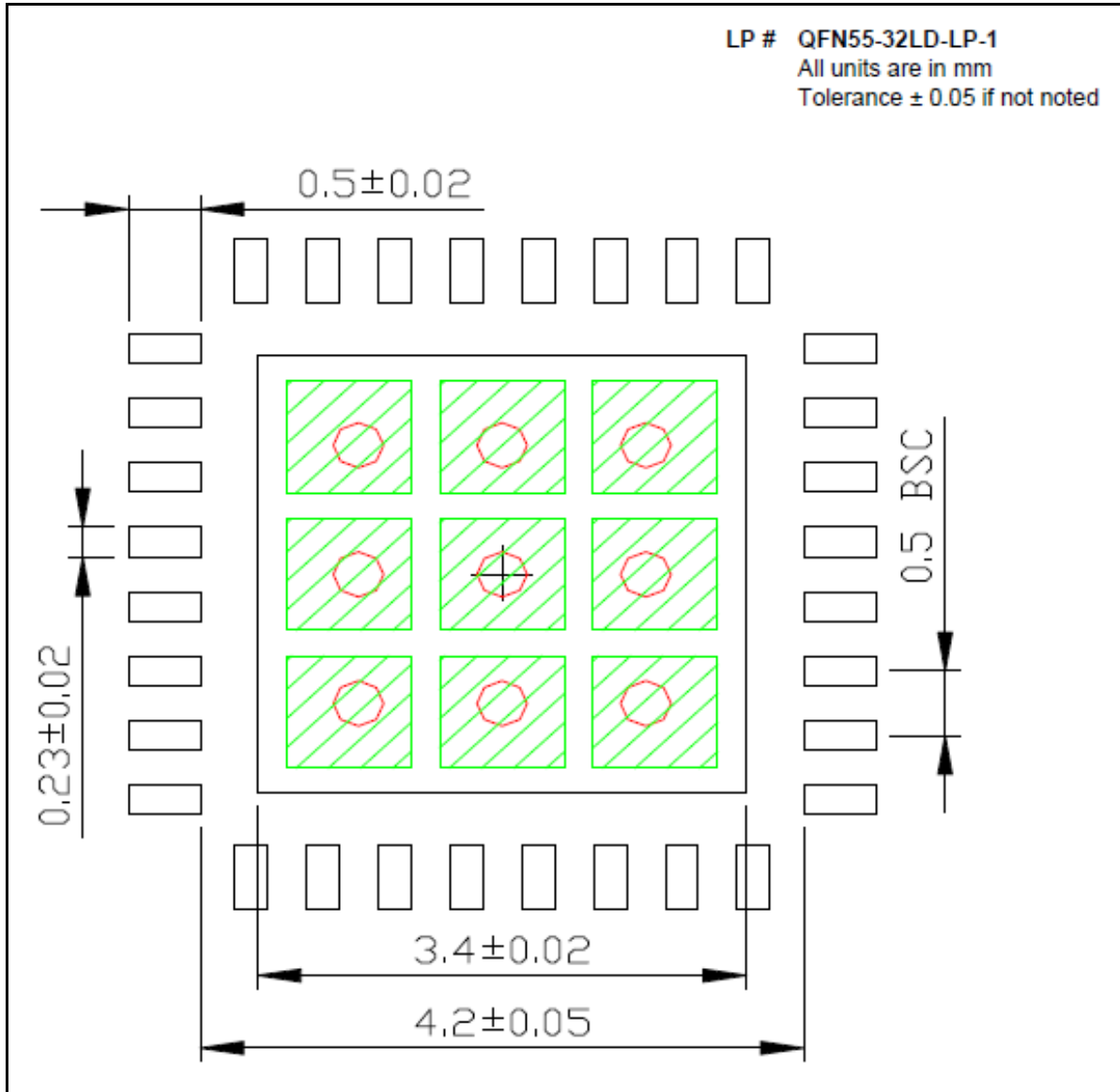


Figure 32. Recommended Land Pattern, 32-Pin (5mm x 5mm) QFN

Red circles indicate thermal vias. They should be 0.350mm in diameter and be connected to the GND plane for maximum thermal performance.

Green rectangles (with shaded area) indicate solder stencil openings on the exposed pad area. They should be 0.87 x 0.87mm in size, 1.07mm pitch.