

# KL3R20

## Thyristor Surge Suppressors 175V, 30A

### Feature

- Bi-directional characteristic
- High-speed response characteristic
- Large surge current capacity
- Capable of repeated use for surges
- Pb free terminal
- RoHS:Yes

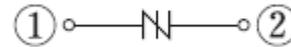
### OUTLINE

Package (House Name): 1F

Package (JEDEC Code): DO-214AC



### Equivalent circuit



### Absolute Maximum Ratings (unless otherwise specified : Tl=25°C)

Item	Symbol	Conditions	Ratings	Unit
Storage temperature	T <sub>stg</sub>		-40 to 125	°C
Junction temperature	T <sub>j</sub>		125	°C
Repetitive peak reverse voltage	V <sub>DRM</sub>		175	V
Peak surge on-state current	I <sub>TSM</sub>	10/1000μs, Non-repetitive	30	A
Peak surge on-state current	I <sub>TSM</sub>	8/20μs, Non-repetitive	100	A

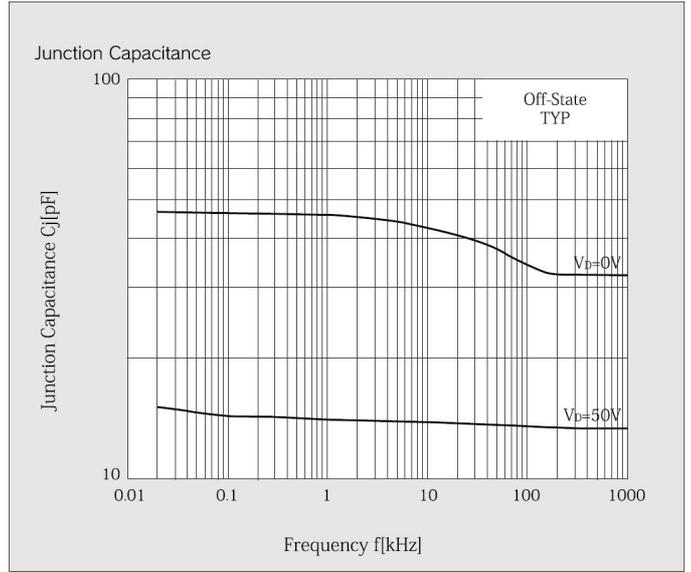
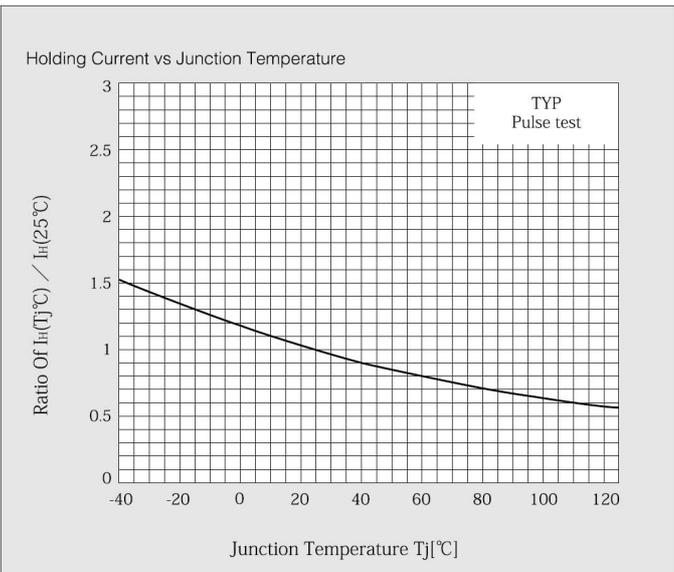
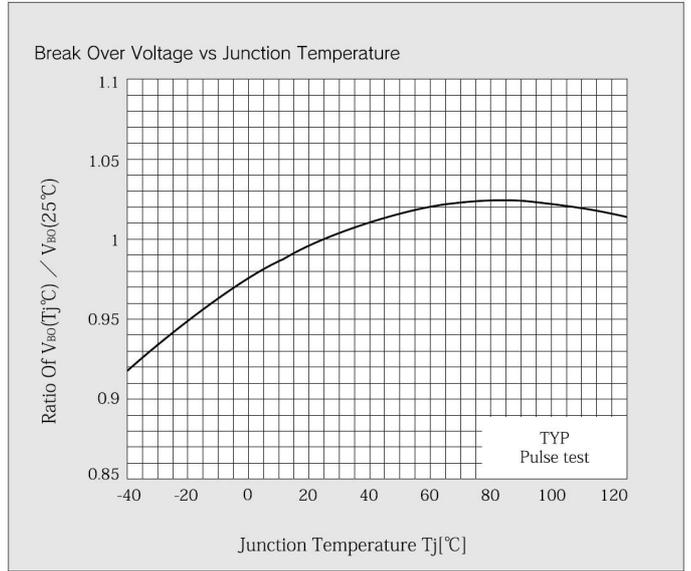
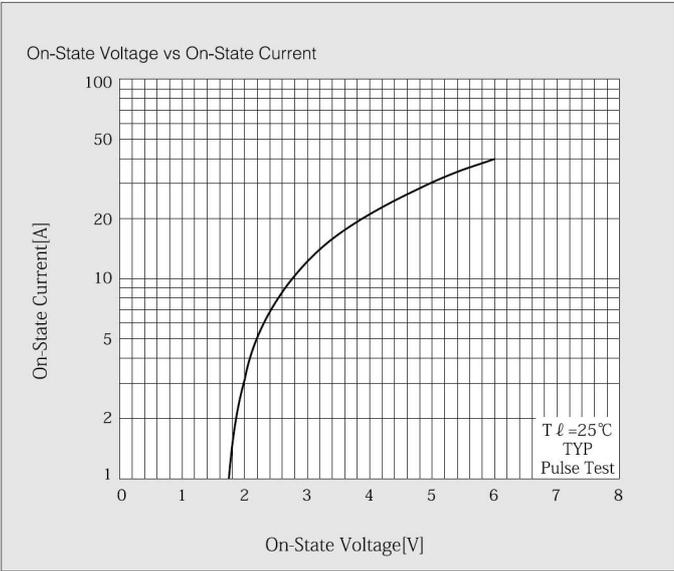
※ : See the original Specifications

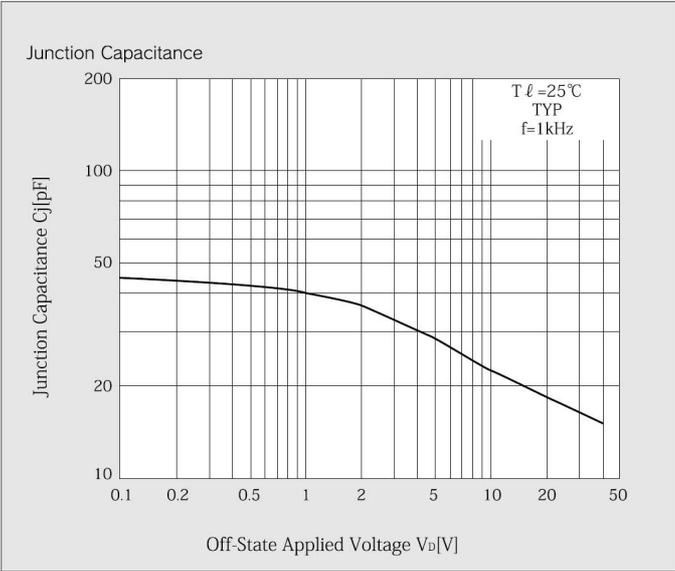
### Electrical Characteristics (unless otherwise specified : Tl=25°C)

Item	Symbol	Conditions	Ratings			Unit
			MIN	TYP	MAX	
Breakover voltage	V <sub>BO</sub>	Pulse measurement	180			V
Clamping voltage	V <sub>CL</sub>	dV/dt=100V/μs			250	V
Off-state current	I <sub>DSM</sub>	VD=175V			10	μA
Holding current	I <sub>H</sub>	Pulse measurement	100			mA
On-State Voltage	V <sub>T</sub>	IT=2A		1.8		V
Junction capacitance	C <sub>j</sub>	f=1kHz, VD=50VDC, OSC=1Vrms			30	pF

※ : See the original Specifications

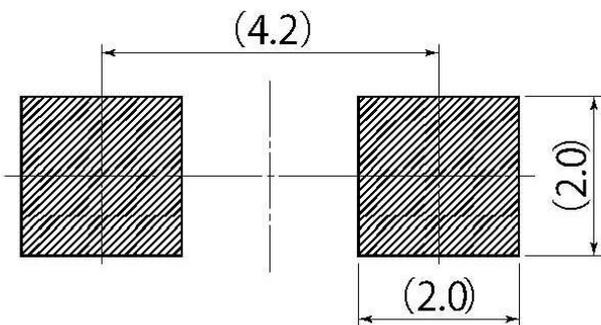
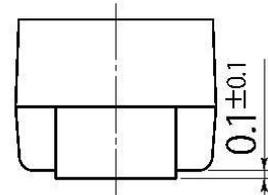
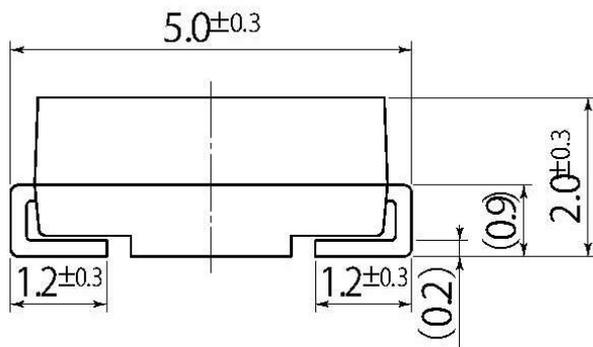
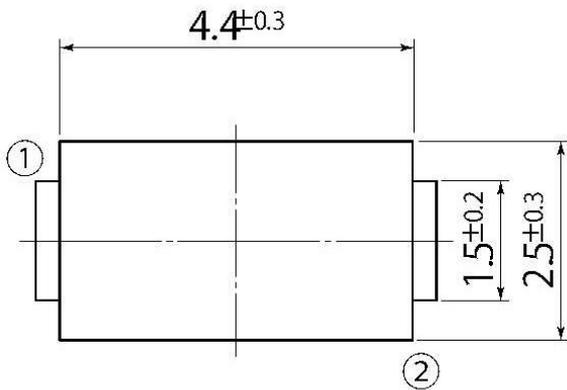
# CHARACTERISTIC DIAGRAMS





B4

JEDEC Code	DO-214AC
JEITA Code	—
House Name	1F



Referential Soldering Pad

• Optimize soldering pad to the board design and soldering condition.