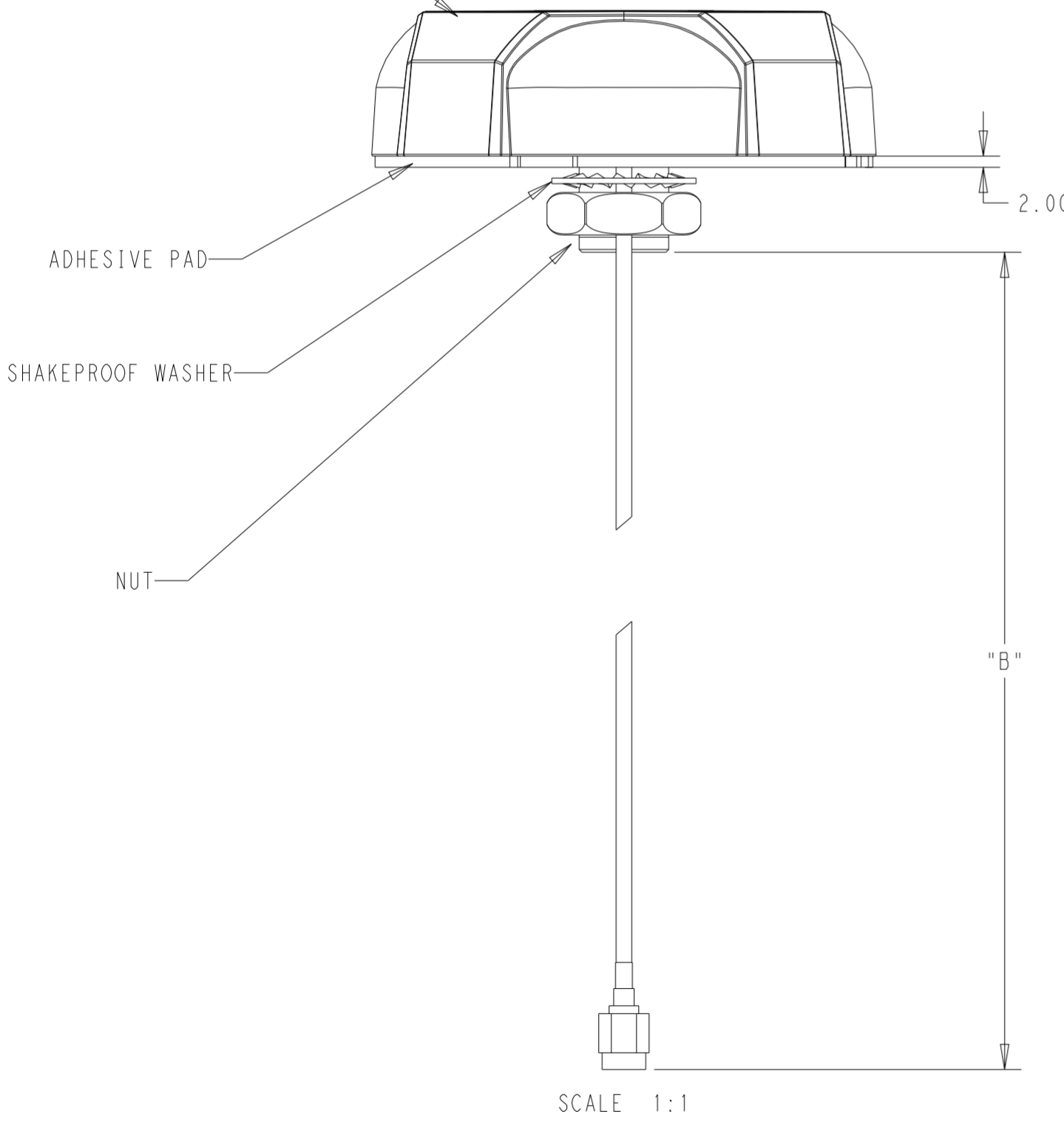
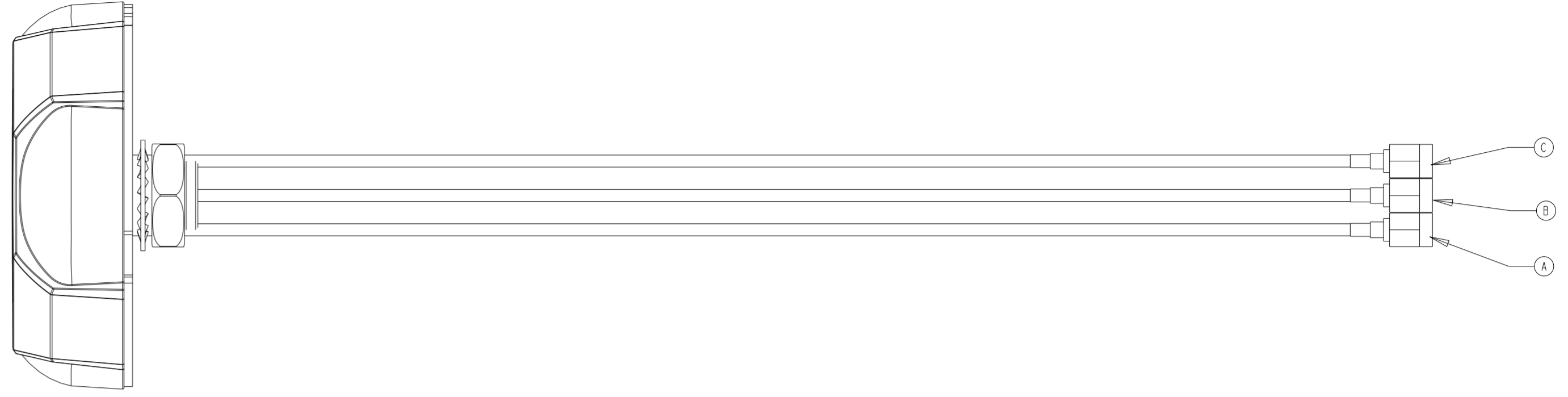
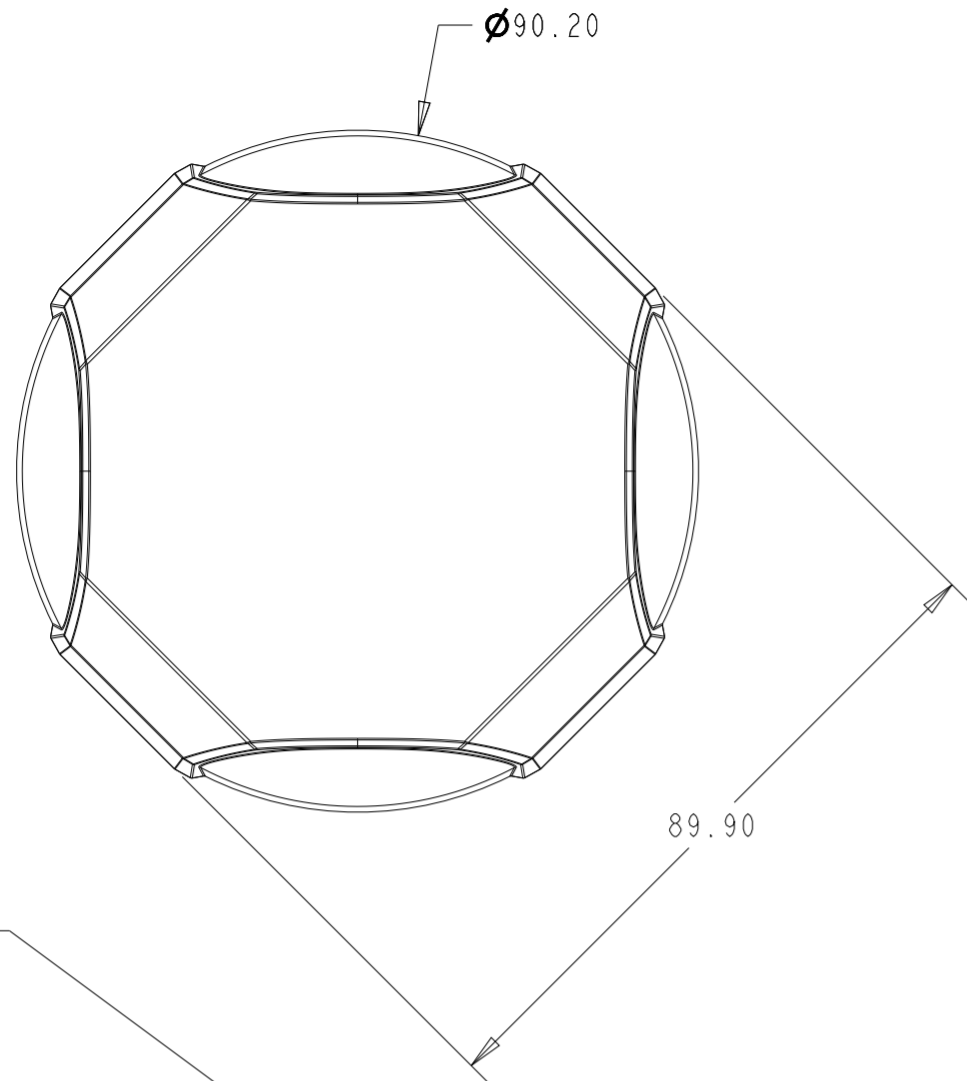


REVISIONS

P	LTR	DESCRIPTION	DATE	DWN	APVD
A		PRODUCTION RELEASE; ECN-23-208042	26APR2023	IZZ	WTN
A1		ADD NEW VARIANT	08JUN2023	IZZ	WTN
A2		UPDATE DRAWING	08JUN2023	IZZ	WTN



- NOTES:
1. REFER DATASHEET: ANT-DS-L000321
 2. FREQUENCY RANGE: SEE TABLE
 3. PATTERN: OMNI-DIRECTIONAL
 4. POLARIZATION: LINEAR
 5. MAX. INPUT POWER: 20 Watts
 6. OPERATING TEMPERATURE: -40°C to 85°C (-40 TO 185°F)
 7. MATERIAL: OUTDOOR ASA+PC, BLACK

Part Number	Description	Ports	Frequency Range	Cable Type (MEETS UN ECE 118)	Length "B"	Termination	TE P/N
LPD69596WT-100A	2-PORT - WIFI & 4G/5G ANTENNA	CELLULAR	698-750/750-850/850-960/1690-2690/3300-3800Mhz	RG174	1.0m (3'3")	SMA (C)	L000321-05
		WIFI	2400-2500Mhz	RG174	1.0m (3'3")	RP-SMA (B)	
LPD69596GT-4572A	2-PORT - 4G/5G & GNSS, 15ft, ANTENNA	CELLULAR	698-750/750-850/850-960/1690-2690/3300-3800Mhz	LMR195	4.6m (15')	SMA (C)	L000321-04
		GNSS	1559-1606Mhz	RG174	4.6m (15')	SMA (A)	
LPD69596GT-100A	2-PORT - 4G/5G & GNSS ANTENNA	CELLULAR	698-750/750-850/850-960/1690-2690/3300-3800Mhz	RG174	1.0m (3'3")	SMA (C)	L000321-03
		GNSS	1559-1606Mhz	RG174	1.0m (3'3")	SMA (A)	
LPD24536GT-100A	2-PORT - WIFI, & GNSS ANTENNA	WIFI	2400-2500Mhz	LMR195	1.0m (3'3")	RP-SMA (B)	L000321-02
		GNSS	1559-1606Mhz	RG174	1.0m (3'3")	SMA (A)	
LPT69596GT-100A	3-PORT - WIFI, 4G/5G, GNSS ANTENNA	CELLULAR	698-750/750-850/850-960/1690-2690/3300-3800Mhz	RG174	1.0m (3'3")	SMA (C)	L000321-01
		WIFI	2400-2500Mhz	RG174	1.0m (3'3")	RP-SMA (B)	
		GNSS	1559-1606Mhz	RG174	1.0m (3'3")	SMA (A)	
ALIAS	Description	Ports	Frequency Range	Cable Type (MEETS UN ECE 118)	LENGTH "B"	TERMINATION	TE P/N

THIS DRAWING IS A CONTROLLED DOCUMENT.

DWN: IZZUDDIN 18OCT22
 CHK: SJ NOH 18OCT22
 APVD: WT NG 18OCT22

TE Connectivity

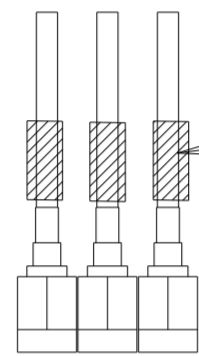
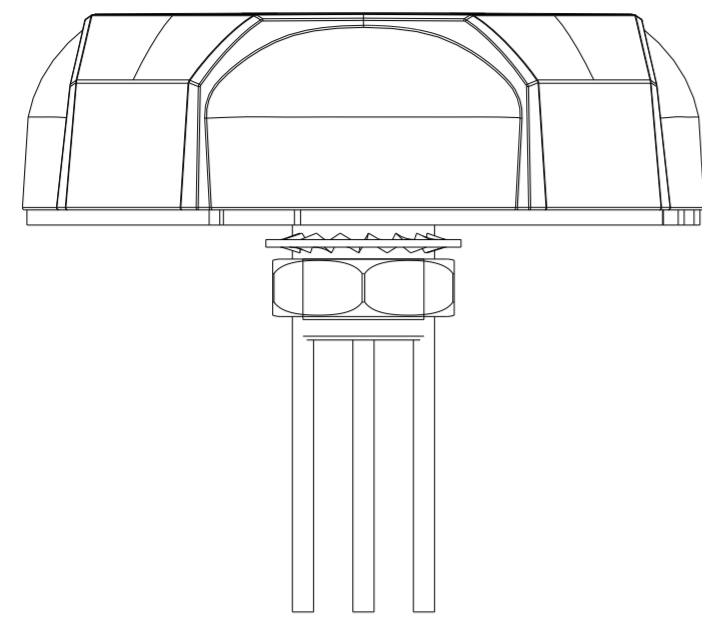
NAME: 3-PORT - WIFI, 4G/5G, GNSS ANTENNA

SIZE: A2 CAGE CODE: 00779 DRAWING NO: L000321 RESTRICTED TO: -

MATERIAL: SEE NOTE FINISH: - WEIGHT: -

CUSTOMER DRAWING SCALE: 1:2 SHEET: 1 OF 3 REV: A2

P	LTR	DESCRIPTION	DATE	DWN	APVD
-		SEE SHEET 1	-	-	-

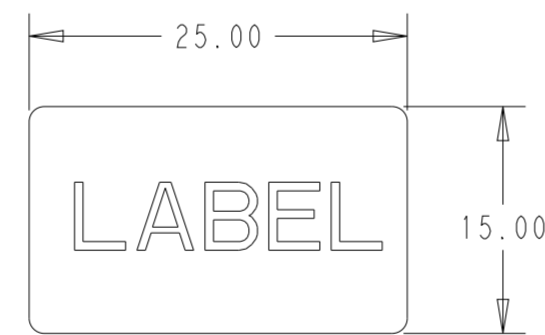


SCALE 1:1

HEAT SHRINK TUBE IDENTIFICATION

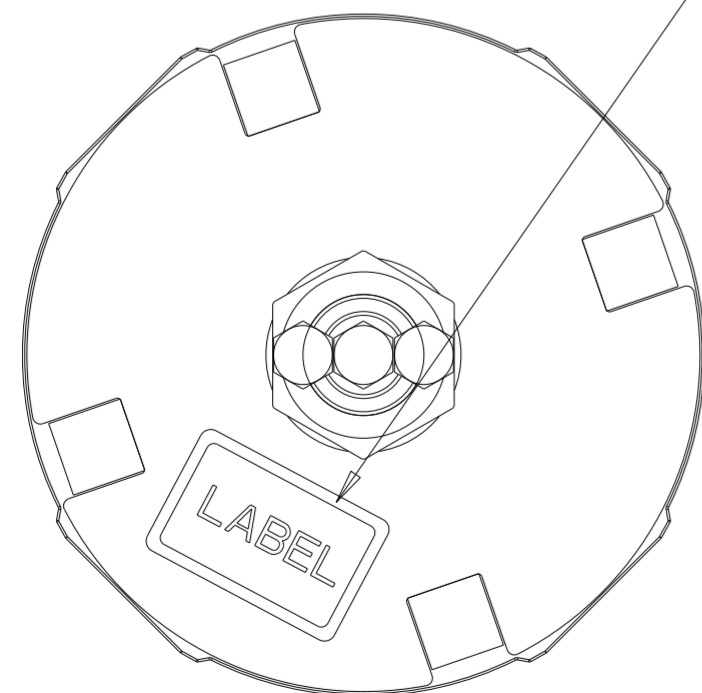
	CELLULAR	WIFI	GNSS
HST COLOUR	YELLOW	RED	WHITE

PRODUCT LABEL



SCALE 2:1

ADHESIVE



TE P/N - ALIAS
 LPXXX6X-XXXXA (SEE TABLE SHEET 1)

DATE CODE
 YYWWD
 DATE CODE (YEAR/WEEK/DAY): 22031

TE LABEL CODE
 TE L000321-0XYYWWD000001
 SERIAL NUMBER: 000001-999999
 DATE CODE (YEAR/WEEK/DAY): 22031
 TE P/N: L000321-0X (SEE TABLE SHEET 1)

THIS DRAWING IS A CONTROLLED DOCUMENT.		DWN IZZUDDIN 18OCT22	STE TE Connectivity		
		CHK S J NOH 18OCT22			
DIMENSIONS: mm		APVD WT NG 18OCT22	NAME 3-PORT - WIFI, 4G/5G, GNSS ANTENNA		
TOLERANCES UNLESS OTHERWISE SPECIFIED: 0 PLC ±- 1 PLC ±0.1 2 PLC ±0.01 3 PLC ±0.001 4 PLC ±0.0001 ANGLES ±- FINISH		PRODUCT SPEC - APPLICATION SPEC -	SIZE A2	CAGE CODE 00779	DRAWING NO C-L000321
MATERIAL SEE NOTE		WEIGHT -	RESTRICTED TO -	SCALE 1:2 SHEET 2 OF 3 REV A2	
		CUSTOMER DRAWING			