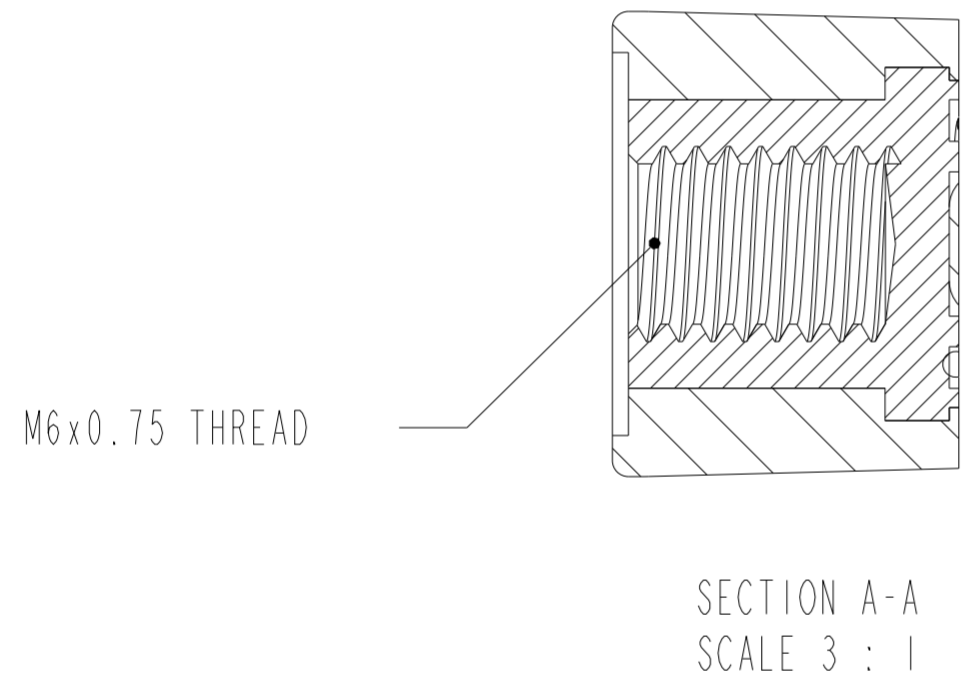
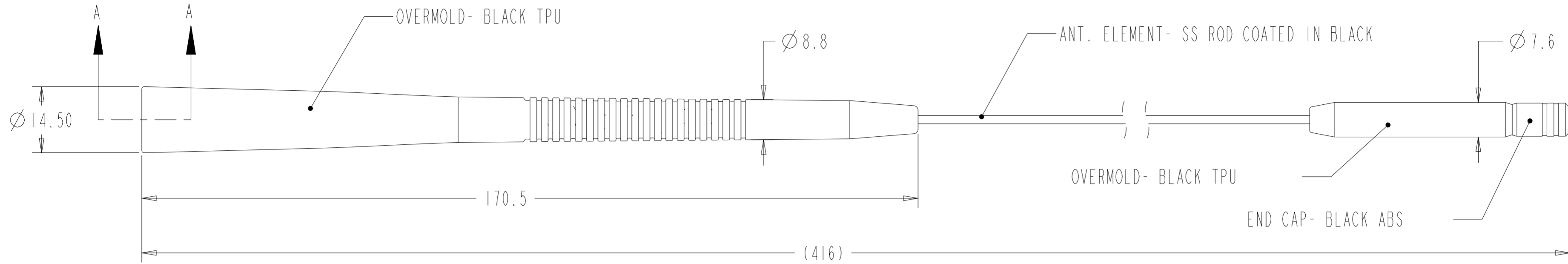
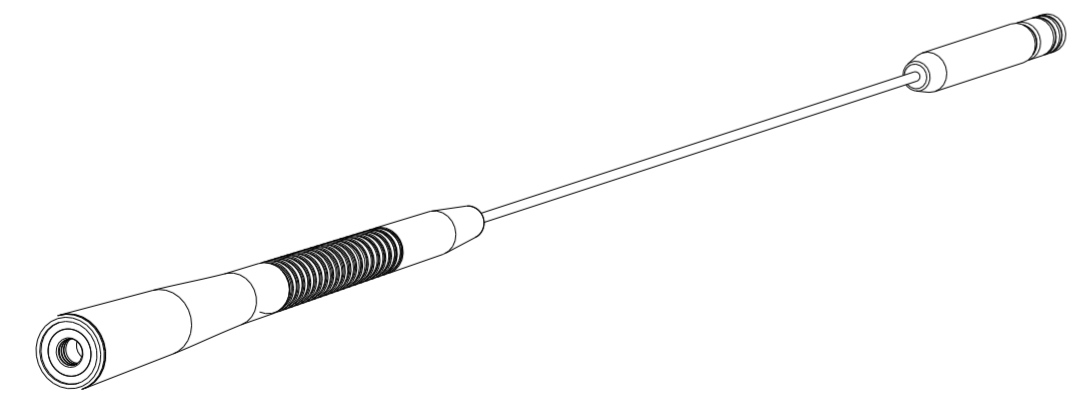


P	LTR	DESCRIPTION	DATE	DWN	APVD
I		INITIAL RELEASE	12DEC2022	YST	WTN
A		REVISED PER ECN-22-190285	15DEC2022	IZZ	WTN



PARAMETER	PERFORMANCE				
Antenna Model	AKIT-VFN61729-001				
TCPN	L000340-01				
Frequency, MHz	150-160	450-485	485-512	745-806	806-870
*Peak Gain, Max. dBi	0.52	3.80	2.94	3.40	3.40
**VSWR, Max	2.5:1	2.5:1	3.0:1	2.0:1	2.5:1
Nominal Impedance, Ω	50				
Polarization	Linear Vertical				
Azimuth Beam Width, (°)	Omnidirectional				
Max Input Power, (W)	60	45	45	35	35
Operating Temperature, °C (°F)	-40 to +85 (-40 to +185)				
Storage Temperature, °C (°F)	-40 to +85 (-40 to +185)				
Dimensions (L x OD), mm (in.)	416 x 14.5 mm (16.37 x 0.57)				
Weight, g	38				
Connector	M6 Stud Connector				
Ingression Protection	IP67				

Notes:
 The specification is based on the measurement when antenna is attached to L000309-xx vehicle antenna
 (*) This parameter is based on 5m cable length & (3x3)ft ground plane.
 (**) This parameter is based on 5m cable length & (5x5)ft ground plane.
 Antenna performance is subjected to change according to ground-plane size and also the base antenna structure and adaptor.
 Antenna base structure must have proper grounding feature e.g. fabric on foam on a large antenna base.



DRAWING SHOWN ARE FOR ILLUSTRATION PURPOSE ONLY.
 ACTUAL PRODUCT MAY VARY DUE TO PRODUCT ENHANCEMENT.

THIS DRAWING IS A CONTROLLED DOCUMENT.		DWN YS TAN 12DEC2022	TE Connectivity		
		CHK RIZWAN 12DEC2022			
DIMENSIONS: mm		APVD WT NG 12DEC2022	NAME WHIP, VEHICLE 150-160/450-512/745-870MH		
		PRODUCT SPEC -	RESTRICTED TO -		
TOLERANCES UNLESS OTHERWISE SPECIFIED: 0 PLC ±0.5 1 PLC ±0.25 2 PLC ±0.13 3 PLC ± 4 PLC ± ANGLES ±30 FINISH -		APPLICATION SPEC -	SIZE A2	CAGE CODE 00779	DRAWING NO G-L000340
MATERIAL TBD		WEIGHT -	SCALE 1:1		
		CUSTOMER DRAWING	SHEET 1	OF 1	REV A