



# 12.8GHz Surface Mount LPF

## L128XH4S



DLI • Novacap • Syfer • Voltronics

www.dilabs.com

www.knowlesc capacitors.com

### DESCRIPTION

DLI introduces its new high frequency surface mountable catalog low pass filters. These LPF's incorporate DLI's high dielectric ceramic materials which provide small size and minimal performance variation over temperature. The catalog LPF's are offered in a variety of frequency bands, which offers a drop in solution for high frequency attenuation.

### FEATURES

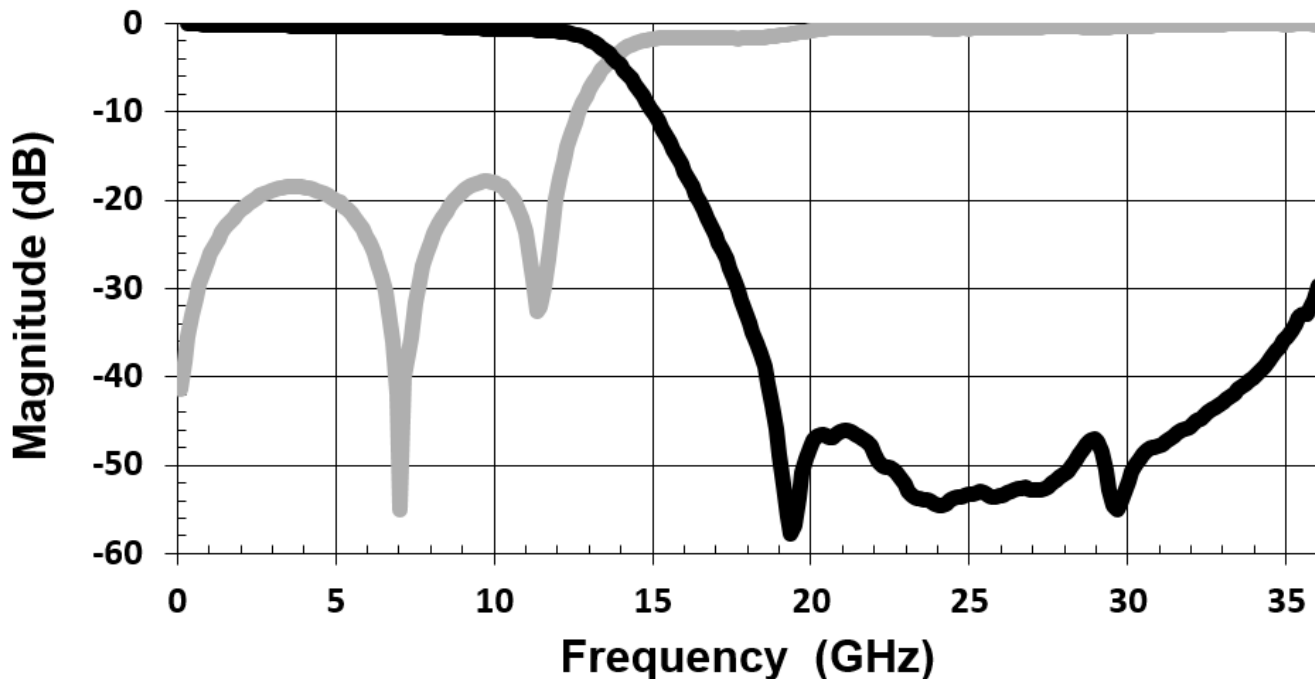
- Small Size
- Fully Shielded Component
- Frequency Stable over Temperature
- Solder Surface Mountable
- Excellent Repeatability
- Operating Temp: -55°C to +125°C
- Characteristic Impedance: 50Ω
- 100% Tested & Inspected

### SPECIFICATIONS\*

Parameter	Frequency (GHz)	Min	Max
Passband Insertion Loss* (dB)	DC - 12.5		1.5
Min Passband Return Loss (dB)	DC - 12.5	17	
Stopband Attenuation (dB)	18.8 - 31.2	40	
Size (LxWxH)	0.220 x 0.140 x 0.103 in 5.58 x 3.55 x 2.62 mm		

\*Electrical specifications based on typical mounted performance at room temperature. Insertion loss shall vary ±0.5dB over temperature.

### Typical Measured Performance





# 12.8GHz Surface Mount LPF

## L128XH4S

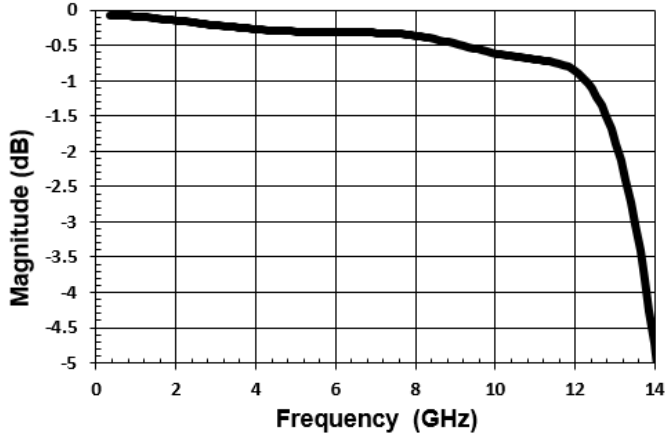


DLI • Novacap • Syfer • Voltronics

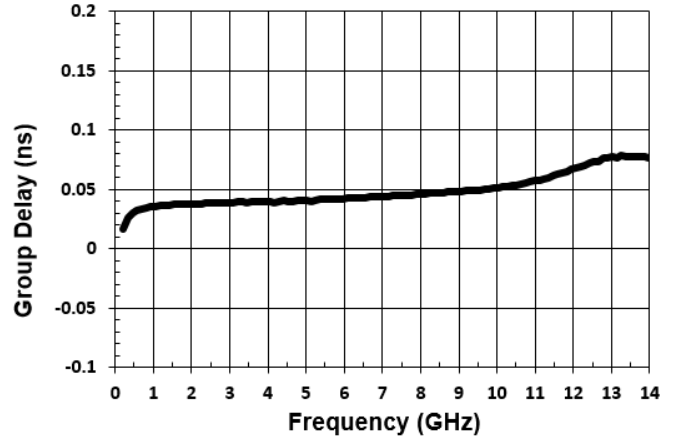
www.dilabs.com

www.knowlesc capacitors.com

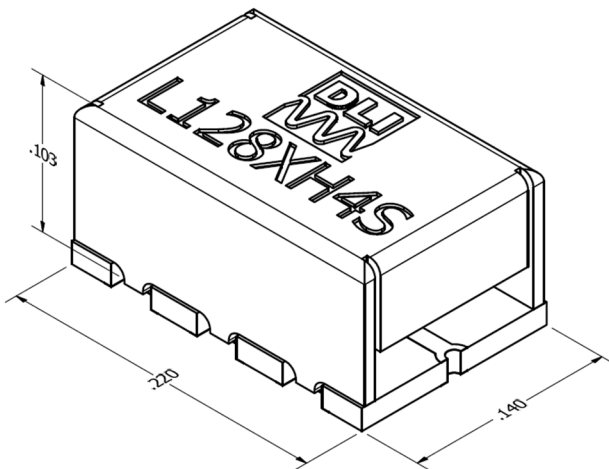
### Typical Loss in Passband



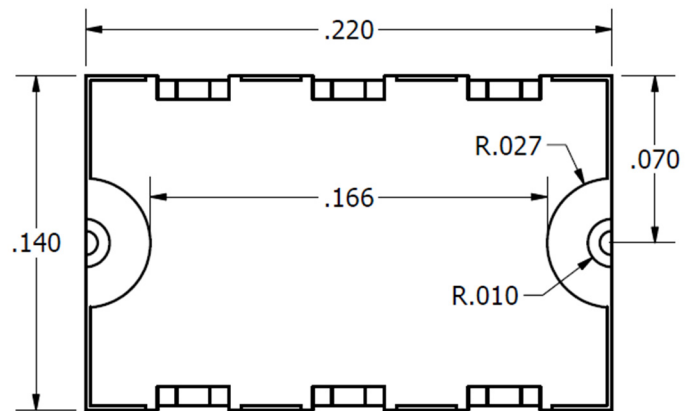
### Typical Group Delay



## Physical Dimensions

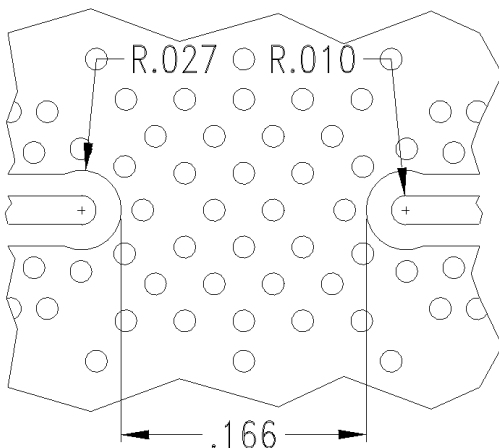


Isometric View



Bottom View

## Recommended PCB Layout



- 50Ω trace dimensions are application specific.
- Ensure adequate grounding beneath the filter.



2777 Route 20 East, Cazenovia, NY 13035 | Ph: (315)655-8710 | KCCSales@knowles.com