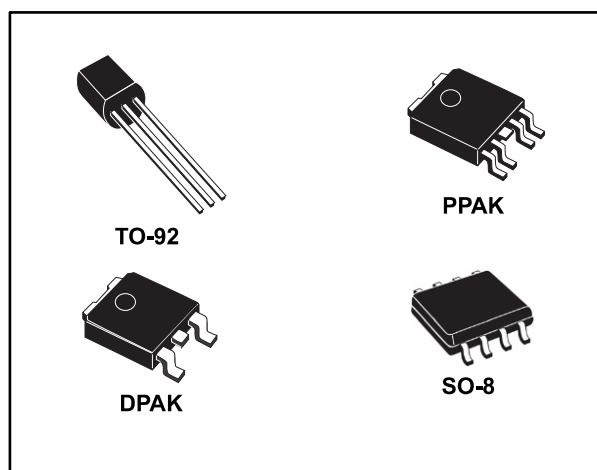


## Very low drop voltage regulators with inhibit

Datasheet - production data



### Description

The L4931 is a very low drop regulator available in SO-8, DPAK, PPAK and TO-92 packages and in a wide range of output voltages.

The very low drop voltage (0.4 V) and the very low quiescent current make it particularly suitable for low noise, low power applications and especially in battery-powered systems.

A TTL compatible shutdown logic control function is available in PPAK and SO-8 packages. This means that when the device is used as a local regulator, a part of the board can be put in standby mode, decreasing the total power consumption. It requires only a 2.2  $\mu\text{F}$  capacitor for stability allowing space and cost saving.

The L4931 is available as automotive-grade in SO-8 package only. This device is qualified according to the specification AEC-Q100 of the automotive market, in the temperature range from 40 °C to 125 °C, and the statistical tests: PAT, SYL, SBL are performed.

### Features

- Very low dropout voltage (0.4 V)
- Very low quiescent current
- Typ. 50  $\mu\text{A}$  in OFF mode, 600  $\mu\text{A}$  in ON mode
- Output current up to 250 mA
- Logic controlled electronic shutdown
- Output voltages: 3.3; 3.5; 5; 12 V
- Automotive-grade product: 3.3 V  $V_{\text{OUT}}$  in SO-8 package only
- Internal current and thermal limit
- Only 2.2  $\mu\text{F}$  for stability
- Available in  $\pm 1\%$  (AB) or 2% (C) selection at 25 °C
- Supply voltage rejection: 70 dB typ. for 5 V version
- Temperature range: from -40 to 125 °C

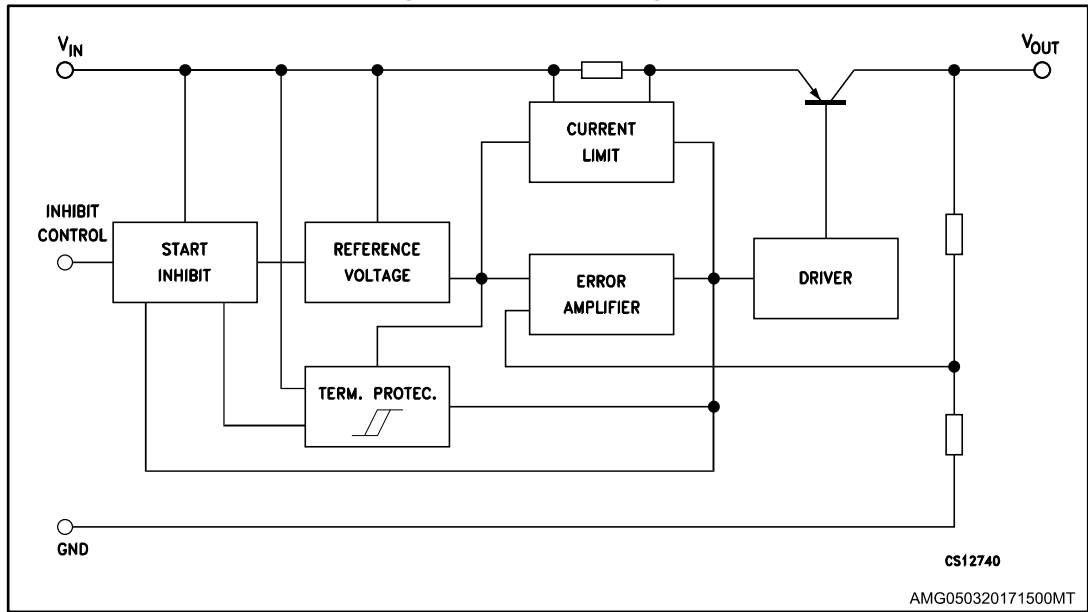
---

**Contents**

<b>1</b>	<b>Diagram</b> .....	<b>3</b>
<b>2</b>	<b>Pin configuration</b> .....	<b>4</b>
<b>3</b>	<b>Maximum ratings</b> .....	<b>5</b>
<b>4</b>	<b>Application circuit</b> .....	<b>6</b>
<b>5</b>	<b>Electrical characteristics</b> .....	<b>7</b>
<b>6</b>	<b>Typical application</b> .....	<b>16</b>
<b>7</b>	<b>Package information</b> .....	<b>17</b>
	7.1 TO-92 package information.....	17
	7.2 TO-92 Ammopak packing information.....	18
	7.3 PPAK package information.....	20
	7.4 DPAK package information.....	22
	7.5 PPAK and DPAK paking information.....	25
	7.6 SO-8 package information.....	27
	7.7 SO-8 packing information.....	29
<b>8</b>	<b>Ordering information</b> .....	<b>30</b>
<b>9</b>	<b>Revision history</b> .....	<b>31</b>

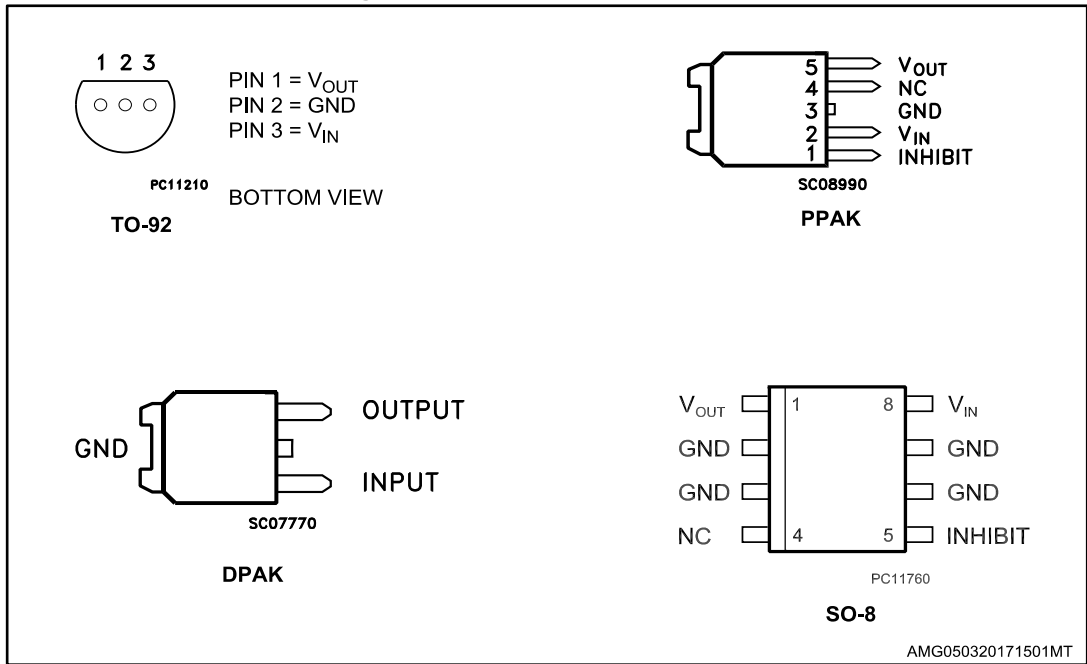
# 1 Diagram

Figure 1: Schematic diagram



## 2 Pin configuration

Figure 2: Pin connections (top view)



### 3 Maximum ratings

Table 1: Absolute maximum ratings

Symbol	Parameter	Value	Unit
$V_I$	DC Input voltage	20	V
$I_O$	Output current	Internally limited	mA
$P_D$	Power dissipation	Internally limited	mW
$T_{STG}$	Storage temperature range	-40 to 150	°C
$T_{OP}$	Operating junction temperature range	-40 to 125	°C



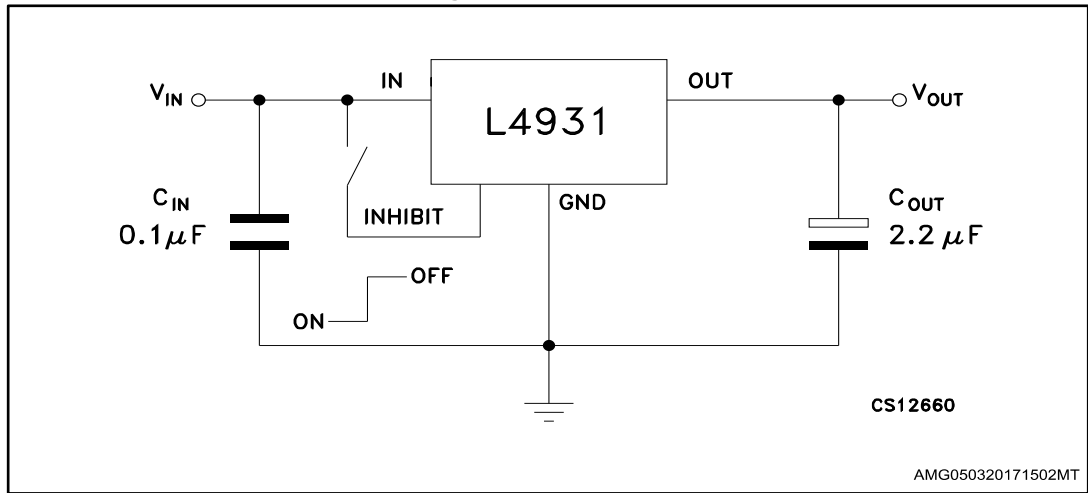
Absolute maximum ratings are those values beyond which damage to the device may occur. Functional operation under these condition is not implied.

Table 2: Thermal data

Symbol	Parameter	TO-92	DPAK	SO-8	Unit
$R_{thJC}$	Thermal resistance junction-case		8	20	°C/W
$R_{thJA}$	Thermal resistance junction-ambient	200	100	55	°C/W

# 4 Application circuit

Figure 3: Test circuit



## 5 Electrical characteristics

(Refer to the test circuits,  $T_A = 25\text{ °C}$ ,  $C_I = 0.1\text{ }\mu\text{F}$ ,  $C_O = 2.2\text{ }\mu\text{F}$  unless otherwise specified).

Table 3: L4931ABxx33 electrical characteristics

Symbol	Parameter	Test conditions		Min.	Typ.	Max.	Unit
$V_O$	Output voltage	$I_O = 5\text{ mA}$ , $V_I = 5.3\text{ V}$		3.267	3.3	3.333	V
		$I_O = 5\text{ mA}$ , $V_I = 5.3\text{ V}$ , $T_A = -25\text{ to }85\text{ °C}$		3.234		3.366	
$V_I$	Operating input voltage	$I_O = 250\text{ mA}$				20	V
$I_{out}$	Output current limit				300		mA
$\Delta V_O$	Line regulation	$V_I = 4\text{ to }20\text{ V}$ , $I_O = 0.5\text{ mA}$			3	15	mV
$\Delta V_O$	Load regulation <sup>(1)</sup>	$V_I = 4.2\text{ V}$ , $I_O = 0.5\text{ to }250\text{ mA}$			3	15	mV
$I_d$	Quiescent current ON mode	$V_I = 4.2\text{ to }20\text{ V}$ , $I_O = 0\text{ mA}$			0.6	1	mA
		$V_I = 4.2\text{ to }20\text{ V}$ , $I_O = 250\text{ mA}$			4	6	
		OFF mode	$V_I = 6\text{ V}$		50	100	$\mu\text{A}$
SVR	Supply voltage rejection	$I_O = 5\text{ mA}$ $V_I = 5.2 \pm 1\text{ V}$	$f = 120\text{ Hz}$		73		dB
			$f = 1\text{ kHz}$		70		
			$f = 10\text{ kHz}$		55		
eN	Output noise voltage	$B = 10\text{ Hz to }100\text{ kHz}$			50	$\mu\text{V}$	
$V_d$	Dropout voltage <sup>(1)</sup>	$I_O = 250\text{ mA}$			0.4	0.6	V
		$I_O = 250\text{ mA}$ , $T_A = -40\text{ to }125\text{ °C}$				0.8	V
$V_{IL}$	Control input logic low	$T_A = -40\text{ to }125\text{ °C}$				0.8	V
$V_{IH}$	Control input logic high	$T_A = -40\text{ to }125\text{ °C}$		2			V
$I_I$	Control input current	$V_I = 6\text{ V}$ , $V_C = 6\text{ V}$			10		$\mu\text{A}$
$C_O$	Output bypass capacitance	ESR = 0.1 to 10 $\Omega$ , $I_O = 0\text{ to }250\text{ mA}$		2	10		$\mu\text{F}$

### Notes:

<sup>(1)</sup>For SO-8 package the maximum limit of load regulation and dropout should be increased by 20 mV.

(Refer to the test circuits,  $T_A = 25\text{ °C}$ ,  $C_I = 0.1\text{ }\mu\text{F}$ ,  $C_O = 2.2\text{ }\mu\text{F}$  unless otherwise specified).

Table 4: L4931Cxx33 electrical characteristics

Symbol	Parameter	Test conditions	Min.	Typ.	Max.	Unit
$V_O$	Output voltage	$I_O = 5\text{ mA}$ , $V_I = 5.3\text{ V}$	3.234	3.3	3.366	V
		$I_O = 5\text{ mA}$ , $V_I = 5.3\text{ V}$ , $T_A = -25\text{ to }85\text{ °C}$	3.168		3.432	
$V_I$	Operating input voltage	$I_O = 250\text{ mA}$			20	V
$I_{out}$	Output current limit			300		mA
$\Delta V_O$	Line regulation	$V_I = 4.1\text{ to }20\text{ V}$ , $I_O = 0.5\text{ mA}$		3	18	mV
$\Delta V_O$	Load regulation <sup>(1)</sup>	$V_I = 4.3\text{ V}$ , $I_O = 0.5\text{ to }250\text{ mA}$		3	18	mV
$I_d$	Quiescent current ON mode	$V_I = 4.3\text{ to }20\text{ V}$ , $I_O = 0\text{ mA}$		0.6	1	mA
		$V_I = 4.3\text{ to }20\text{ V}$ , $I_O = 250\text{ mA}$		4	6	
	OFF mode	$V_I = 6\text{ V}$		50	100	$\mu\text{A}$
SVR	Supply voltage rejection	$I_O = 5\text{ mA}$ $V_I = 5.3 \pm 1\text{ V}$		73		dB
				70		
				55		
eN	Output noise voltage	$B = 10\text{ Hz to }100\text{ kHz}$		50		$\mu\text{V}$
$V_d$	Dropout voltage <sup>(1)</sup>	$I_O = 250\text{ mA}$		0.4	0.6	V
		$I_O = 250\text{ mA}$ , $T_A = -40\text{ to }125\text{ °C}$			0.8	V
$V_{IL}$	Control input logic low	$T_A = -40\text{ to }125\text{ °C}$			0.8	V
$V_{IH}$	Control input logic high	$T_A = -40\text{ to }125\text{ °C}$	2			V
$I_I$	Control input current	$V_I = 6\text{ V}$ , $V_C = 6\text{ V}$		10		$\mu\text{A}$
$C_O$	Output bypass capacitance	ESR = 0.1 to 10 $\Omega$ , $I_O = 0\text{ to }250\text{ mA}$	2	10		$\mu\text{F}$

**Notes:**<sup>(1)</sup>For SO-8 package the maximum limit of load regulation and dropout should be increased by 20 mV.



(Refer to the test circuits,  $T_A = -40$  to  $125$  °C,  $C_I = 0.1$   $\mu$ F,  $C_O = 2.2$   $\mu$ F unless otherwise specified).

**Table 5: L4931Cxx33-TRY (automotive-grade) electrical characteristics**

Symbol	Parameter	Test conditions	Min.	Typ.	Max.	Unit
$V_O$	Output voltage	$I_O = 5$ mA, $V_I = 5.3$ V $T_A = 25$ °C	3.234	3.3	3.366	V
		$I_O = 5$ mA, $V_I = 5.3$ V	3.168		3.432	
$V_I$	Operating input voltage	$I_O = 250$ mA			20	V
$I_{out}$	Output current limit	$T_A = 25$ °C		300		mA
$\Delta V_O$	Line regulation	$V_I = 4.1$ to $20$ V, $I_O = 0.5$ mA			20	mV
$\Delta V_O$	Load regulation	$V_I = 4.3$ V, $I_O = 0.5$ to $250$ mA			38	mV
$I_d$	Quiescent current ON mode	$V_I = 4.3$ to $20$ V, $I_O = 0$ mA			1	mA
		$V_I = 4.3$ to $20$ V, $I_O = 250$ mA			6	
	OFF mode	$V_I = 6$ V			100	$\mu$ A
SVR	Supply voltage rejection	$I_O = 5$ mA $V_I = 5.3 \pm 1$ V $T_A = 25$ °C	$f = 120$ Hz	73		dB
			$f = 1$ kHz	70		
			$f = 10$ kHz	55		
eN	Output noise voltage	B = 10 Hz to 100 kHz, $T_A = 25$ °C		50		$\mu$ V
$V_d$	Dropout voltage	$I_O = 250$ mA, $T_A = 25$ °C		0.4	0.6	V
		$I_O = 250$ mA			0.82	V
$V_{IL}$	Control input logic low				0.82	V
$V_{IH}$	Control input logic high		2			V
$I_I$	Control input current	$V_I = 6$ V, $V_C = 6$ V, $T_A = 25$ °C		10		$\mu$ A
$C_O$	Output bypass capacitance	ESR = 0.1 to 10 $\Omega$ , $I_O = 0$ to $250$ mA, $T_A = 25$ °C	2	10		$\mu$ F

(Refer to the test circuits,  $T_A = 25\text{ °C}$ ,  $C_I = 0.1\text{ }\mu\text{F}$ ,  $C_O = 2.2\text{ }\mu\text{F}$  unless otherwise specified).

Table 6: L4931ABxx35 electrical characteristics

Symbol	Parameter	Test conditions	Min.	Typ.	Max.	Unit
$V_O$	Output voltage	$I_O = 5\text{ mA}$ , $V_I = 5.5\text{ V}$	3.465	3.5	3.535	V
		$I_O = 5\text{ mA}$ , $V_I = 5.5\text{ V}$ $T_A = -25\text{ to }85\text{ °C}$	3.43		3.57	
$V_I$	Operating input voltage	$I_O = 250\text{ mA}$			20	V
$I_{out}$	Output current limit			300		mA
$\Delta V_O$	Line regulation	$V_I = 4.2\text{ to }20\text{ V}$ , $I_O = 0.5\text{ mA}$		3	15	mV
$\Delta V_O$	Load regulation <sup>(1)</sup>	$V_I = 4.4\text{ V}$ , $I_O = 0.5\text{ to }250\text{ mA}$		3	15	mV
$I_d$	Quiescent current ON mode	$V_I = 4.4\text{ to }20\text{ V}$ , $I_O = 0\text{ mA}$		0.6	1	mA
		$V_I = 4.4\text{ to }20\text{ V}$ , $I_O = 250\text{ mA}$		4	6	
	OFF mode	$V_I = 6\text{ V}$		50	100	$\mu\text{A}$
SVR	Supply voltage rejection	$I_O = 5\text{ mA}$ $V_I = 5.4 \pm 1\text{ V}$		73		dB
				70		
				55		
eN	Output noise voltage	B = 10 Hz to 100 kHz		50		$\mu\text{V}$
$V_d$	Dropout voltage <sup>(1)</sup>	$I_O = 250\text{ mA}$		0.4	0.6	V
		$I_O = 250\text{ mA}$ , $T_A = -40\text{ to }125\text{ °C}$			0.8	V
$V_{IL}$	Control input logic low	$T_A = -40\text{ to }125\text{ °C}$			0.8	V
$V_{IH}$	Control input logic high	$T_A = -40\text{ to }125\text{ °C}$	2			V
$I_I$	Control input current	$V_I = 6\text{ V}$ , $V_C = 6\text{ V}$		10		$\mu\text{A}$
$C_O$	Output bypass capacitance	ESR = 0.1 to 10 $\Omega$ , $I_O = 0\text{ to }250\text{ mA}$	2	10		$\mu\text{F}$

**Notes:**

<sup>(1)</sup>For SO-8 package the maximum limit of load regulation and dropout should be increased by 20 mV.

(Refer to the test circuits,  $T_A = 25\text{ °C}$ ,  $C_I = 0.1\text{ }\mu\text{F}$ ,  $C_O = 2.2\text{ }\mu\text{F}$  unless otherwise specified).

Table 7: L4931Cxx35 electrical characteristics

Symbol	Parameter	Test conditions		Min.	Typ.	Max.	Unit
$V_O$	Output voltage	$I_O = 5\text{ mA}$ , $V_I = 5.5\text{ V}$		3.43	3.5	3.57	V
		$I_O = 5\text{ mA}$ , $V_I = 5.5\text{ V}$ $T_A = -25\text{ to }85\text{ °C}$		3.36		3.64	
$V_I$	Operating input voltage	$I_O = 250\text{ mA}$				20	V
$I_{out}$	Output current limit				300		mA
$\Delta V_O$	Line regulation	$V_I = 4.3\text{ to }20\text{ V}$ , $I_O = 0.5\text{ mA}$			3	18	mV
$\Delta V_O$	Load regulation <sup>(1)</sup>	$V_I = 4.5\text{ V}$ , $I_O = 0.5\text{ to }250\text{ mA}$			3	18	mV
$I_d$	Quiescent current ON mode	$V_I = 4.5\text{ to }20\text{ V}$ , $I_O = 0\text{ mA}$			0.6	1	mA
		$V_I = 4.5\text{ to }20\text{ V}$ , $I_O = 250\text{ mA}$			4	6	
	OFF mode	$V_I = 6\text{ V}$			50	100	$\mu\text{A}$
SVR	Supply voltage rejection	$I_O = 5\text{ mA}$ $V_I = 5.5 \pm 1\text{ V}$	$f = 120\text{ Hz}$		73		dB
			$f = 1\text{ kHz}$		70		
			$f = 10\text{ kHz}$		55		
eN	Output noise voltage	$B = 10\text{ Hz to }100\text{ kHz}$			50		$\mu\text{V}$
$V_d$	Dropout voltage <sup>(1)</sup>	$I_O = 250\text{ mA}$			0.4	0.6	V
		$I_O = 250\text{ mA}$ , $T_A = -40\text{ to }125\text{ °C}$				0.8	V
$V_{IL}$	Control input logic low	$T_A = -40\text{ to }125\text{ °C}$				0.8	V
$V_{IH}$	Control input logic high	$T_A = -40\text{ to }125\text{ °C}$		2			V
$I_i$	Control input current	$V_I = 6\text{ V}$ , $V_C = 6\text{ V}$			10		$\mu\text{A}$
$C_O$	Output bypass capacitance	ESR = 0.1 to 10 $\Omega$ , $I_O = 0\text{ to }250\text{ mA}$		2	10		$\mu\text{F}$

**Notes:**<sup>(1)</sup>For SO-8 package the maximum limit of load regulation and dropout should be increased by 20 mV.

(Refer to the test circuits,  $T_A = 25\text{ °C}$ ,  $C_I = 0.1\text{ }\mu\text{F}$ ,  $C_O = 2.2\text{ }\mu\text{F}$  unless otherwise specified).

Table 8: L4931ABxx50 electrical characteristics

Symbol	Parameter	Test conditions	Min.	Typ.	Max.	Unit
$V_O$	Output voltage	$I_O = 5\text{ mA}$ , $V_I = 7\text{ V}$	4.95	5	5.05	V
		$I_O = 5\text{ mA}$ , $V_I = 7\text{ V}$ , $T_A = -25\text{ to }85\text{ °C}$	4.9		5.1	
$V_I$	Operating input voltage	$I_O = 250\text{ mA}$			20	V
$I_{out}$	Output current limit			300		mA
$\Delta V_O$	Line regulation	$V_I = 5.8\text{ to }20\text{ V}$ , $I_O = 0.5\text{ mA}$		3.5	17.5	mV
$\Delta V_O$	Load regulation <sup>(1)</sup>	$V_I = 6\text{ V}$ , $I_O = 0.5\text{ to }250\text{ mA}$		3	15	mV
$I_d$	Quiescent current ON mode	$V_I = 6\text{ to }20\text{ V}$ , $I_O = 0\text{ mA}$		0.6	1	mA
		$V_I = 6\text{ to }20\text{ V}$ , $I_O = 250\text{ mA}$		4	6	
	OFF mode	$V_I = 6\text{ V}$		50	100	$\mu\text{A}$
SVR	Supply voltage rejection	$I_O = 5\text{ mA}$ $V_I = 7 \pm 1\text{ V}$	$f = 120\text{ Hz}$	70		dB
			$f = 1\text{ kHz}$	67		
			$f = 10\text{ kHz}$	55		
eN	Output noise voltage	$B = 10\text{ Hz to }100\text{ kHz}$		50		$\mu\text{V}$
$V_d$	Dropout voltage <sup>(1)</sup>	$I_O = 250\text{ mA}$		0.4	0.6	V
		$I_O = 250\text{ mA}$ , $T_A = -40\text{ to }125\text{ °C}$			0.8	V
$V_{IL}$	Control input logic low	$T_A = -40\text{ to }125\text{ °C}$			0.8	V
$V_{IH}$	Control input logic high	$T_A = -40\text{ to }125\text{ °C}$	2			V
$I_I$	Control input current	$V_I = 6\text{ V}$ , $V_C = 6\text{ V}$		10		$\mu\text{A}$
$C_O$	Output bypass capacitance	ESR = $0.1\text{ to }10\text{ }\Omega$ , $I_O = 0\text{ to }250\text{ mA}$	2	10		$\mu\text{F}$

**Notes:**<sup>(1)</sup>For SO-8 package the maximum limit of load regulation and dropout should be increased by 20 mV.

(Refer to the test circuits,  $T_A = 25\text{ °C}$ ,  $C_I = 0.1\text{ }\mu\text{F}$ ,  $C_O = 2.2\text{ }\mu\text{F}$  unless otherwise specified).

Table 9: L4931Cxx50 electrical characteristics

Symbol	Parameter	Test conditions	Min.	Typ.	Max.	Unit
$V_O$	Output voltage	$I_O = 5\text{ mA}$ , $V_I = 7\text{ V}$	4.9	5	5.1	V
		$I_O = 5\text{ mA}$ , $V_I = 7\text{ V}$ , $T_A = -25\text{ to }85\text{ °C}$	4.8		5.2	
$V_I$	Operating input voltage	$I_O = 250\text{ mA}$			20	V
$I_{out}$	Output current limit			300		mA
$\Delta V_O$	Line regulation	$V_I = 5.8\text{ to }20\text{ V}$ , $I_O = 0.5\text{ mA}$		3.5	17.5	mV
$\Delta V_O$	Load regulation <sup>(1)</sup>	$V_I = 6\text{ V}$ , $I_O = 0.5\text{ to }250\text{ mA}$		3	15	mV
$I_d$	Quiescent current ON mode	$V_I = 6\text{ to }20\text{ V}$ , $I_O = 0\text{ mA}$		0.6	1	mA
		$V_I = 6\text{ to }20\text{ V}$ , $I_O = 250\text{ mA}$		4	6	
	OFF mode	$V_I = 6\text{ V}$		50	100	$\mu\text{A}$
SVR	Supply voltage rejection	$I_O = 5\text{ mA}$ $V_I = 7 \pm 1\text{ V}$		70		dB
				67		
				55		
eN	Output noise voltage	$B = 10\text{ Hz to }100\text{ kHz}$		50		$\mu\text{V}$
$V_d$	Dropout voltage <sup>(1)</sup>	$I_O = 250\text{ mA}$		0.4	0.6	V
		$I_O = 250\text{ mA}$ , $T_A = -40\text{ to }125\text{ °C}$			0.8	V
$V_{IL}$	Control input logic low	$T_A = -40\text{ to }125\text{ °C}$			0.8	V
$V_{IH}$	Control input logic high	$T_A = -40\text{ to }125\text{ °C}$	2			V
$I_I$	Control input current	$V_I = 6\text{ V}$ , $V_C = 6\text{ V}$		10		$\mu\text{A}$
$C_O$	Output bypass capacitance	ESR = 0.1 to 10 $\Omega$ , $I_O = 0\text{ to }250\text{ mA}$	2	10		$\mu\text{F}$

**Notes:**

<sup>(1)</sup>For SO-8 package the maximum limit of load regulation and dropout should be increased by 20 mV.

(Refer to the test circuits,  $T_A = 25\text{ °C}$ ,  $C_I = 0.1\text{ }\mu\text{F}$ ,  $C_O = 2.2\text{ }\mu\text{F}$  unless otherwise specified).

Table 10: L4931ABxx120 electrical characteristics

Symbol	Parameter	Test conditions	Min.	Typ.	Max.	Unit
$V_O$	Output voltage	$I_O = 5\text{ mA}$ , $V_I = 14\text{ V}$	11.88	12	12.12	V
		$I_O = 5\text{ mA}$ , $V_I = 14\text{ V}$ , $T_A = -25\text{ to }85\text{ °C}$	11.76		12.24	
$V_I$	Operating input voltage	$I_O = 250\text{ mA}$			20	V
$I_{out}$	Output current limit			300		mA
$\Delta V_O$	Line regulation	$V_I = 12.8\text{ to }20\text{ V}$ , $I_O = 0.5\text{ mA}$		4	20	mV
$\Delta V_O$	Load regulation <sup>(1)</sup>	$V_I = 13\text{ V}$ , $I_O = 0.5\text{ to }250\text{ mA}$		3	15	mV
$I_d$	Quiescent current ON mode	$V_I = 13\text{ to }20\text{ V}$ , $I_O = 0\text{ mA}$		0.8	1.6	mA
		$V_I = 13\text{ to }20\text{ V}$ , $I_O = 250\text{ mA}$		4.5	7	
	OFF mode	$V_I = 6\text{ V}$		90	180	$\mu\text{A}$
SVR	Supply voltage rejection	$I_O = 5\text{ mA}$ $V_I = 14 \pm 1\text{ V}$	$f = 120\text{ Hz}$	64		dB
			$f = 1\text{ kHz}$	61		
			$f = 10\text{ kHz}$	55		
eN	Output noise voltage	$B = 10\text{ Hz to }100\text{ kHz}$		50		$\mu\text{V}$
$V_d$	Dropout voltage <sup>(1)</sup>	$I_O = 250\text{ mA}$		0.4	0.6	V
		$I_O = 250\text{ mA}$ , $T_A = -40\text{ to }125\text{ °C}$			0.8	V
$V_{IL}$	Control input logic low	$T_A = -40\text{ to }125\text{ °C}$			0.8	V
$V_{IH}$	Control input logic high	$T_A = -40\text{ to }125\text{ °C}$	2			V
$I_I$	Control input current	$V_I = 6\text{ V}$ , $V_C = 6\text{ V}$		10		$\mu\text{A}$
$C_O$	Output bypass capacitance	ESR = $0.1\text{ to }10\text{ }\Omega$ , $I_O = 0\text{ to }250\text{ mA}$	2	10		$\mu\text{F}$

**Notes:**<sup>(1)</sup>For SO-8 package the maximum limit of load regulation and dropout should be increased by 20 mV.

(Refer to the test circuits,  $T_A = 25\text{ °C}$ ,  $C_I = 0.1\text{ }\mu\text{F}$ ,  $C_O = 2.2\text{ }\mu\text{F}$  unless otherwise specified).

Table 11: L4931Cxx120 electrical characteristics

Symbol	Parameter	Test conditions	Min.	Typ.	Max.	Unit
$V_O$	Output voltage	$I_O = 5\text{ mA}$ , $V_I = 14\text{ V}$	11.76	12	12.24	V
		$I_O = 5\text{ mA}$ , $V_I = 14\text{ V}$ , $T_A = -25\text{ to }85\text{ °C}$	11.52		12.48	
$V_I$	Operating input voltage	$I_O = 250\text{ mA}$			20	V
$I_{out}$	Output current limit			300		mA
$\Delta V_O$	Line regulation	$V_I = 12.9\text{ to }20\text{ V}$ , $I_O = 0.5\text{ mA}$		4	24	mV
$\Delta V_O$	Load regulation <sup>(1)</sup>	$V_I = 13.1\text{ V}$ , $I_O = 0.5\text{ to }250\text{ mA}$		3	18	mV
$I_d$	Quiescent current ON mode	$V_I = 13.1\text{ to }20\text{ V}$ , $I_O = 0\text{ mA}$		0.8	1.6	mA
		$V_I = 13.1\text{ to }20\text{ V}$ , $I_O = 250\text{ mA}$		4.5	7	
	OFF mode	$V_I = 6\text{ V}$		90	180	$\mu\text{A}$
SVR	Supply voltage rejection	$I_O = 5\text{ mA}$ $V_I = 14.1 \pm 1\text{ V}$	$f = 120\text{ Hz}$	64		dB
			$f = 1\text{ kHz}$	61		
			$f = 10\text{ kHz}$	55		
eN	Output noise voltage	$B = 10\text{ Hz to }100\text{ kHz}$		50		$\mu\text{V}$
$V_d$	Dropout voltage <sup>(1)</sup>	$I_O = 250\text{ mA}$		0.4	0.6	V
		$I_O = 250\text{ mA}$ , $T_A = -40\text{ to }125\text{ °C}$			0.8	V
$V_{IL}$	Control input logic low	$T_A = -40\text{ to }125\text{ °C}$			0.8	V
$V_{IH}$	Control input logic high	$T_A = -40\text{ to }125\text{ °C}$	2			V
$I_i$	Control input current	$V_I = 6\text{ V}$ , $V_C = 6\text{ V}$		10		$\mu\text{A}$
$C_O$	Output bypass capacitance	ESR = $0.1\text{ to }10\text{ }\Omega$ , $I_O = 0\text{ to }250\text{ mA}$	2	10		$\mu\text{F}$

**Notes:**<sup>(1)</sup>For SO-8 package the maximum limit of load regulation and dropout should be increased by 20 mV.

## 6 Typical application

Figure 4: Line regulation vs temperature

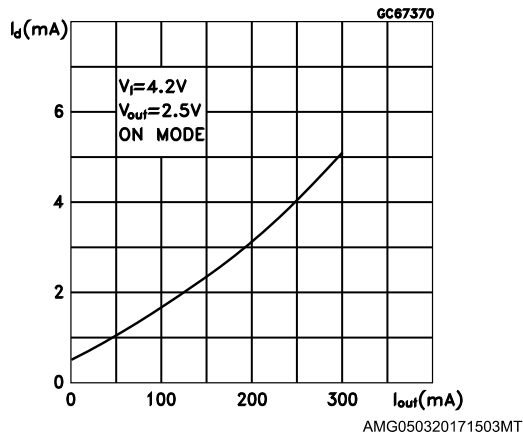


Figure 5: Dropout voltage vs temperature

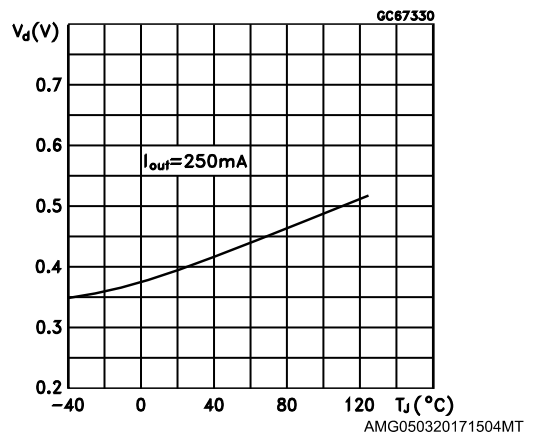


Figure 6: Supply current vs input voltage

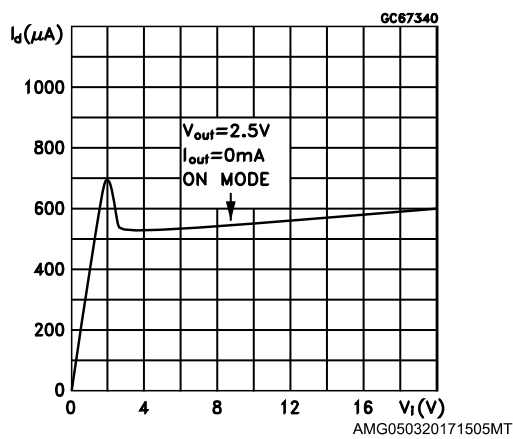


Figure 7: Supply current vs temperature

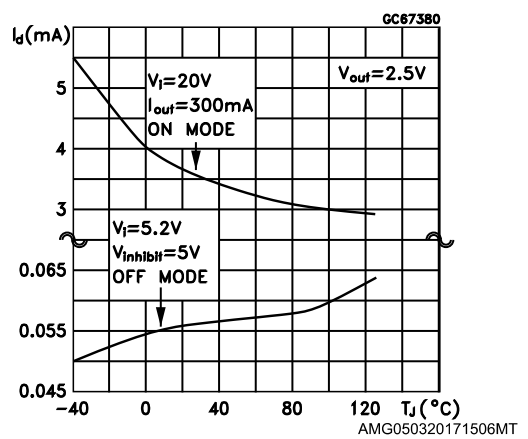


Figure 8: Short-circuit current vs dropout voltage

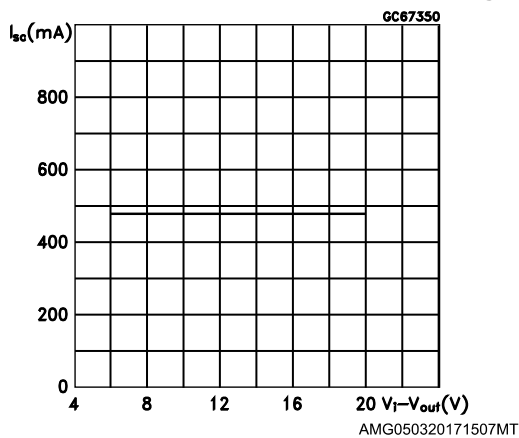
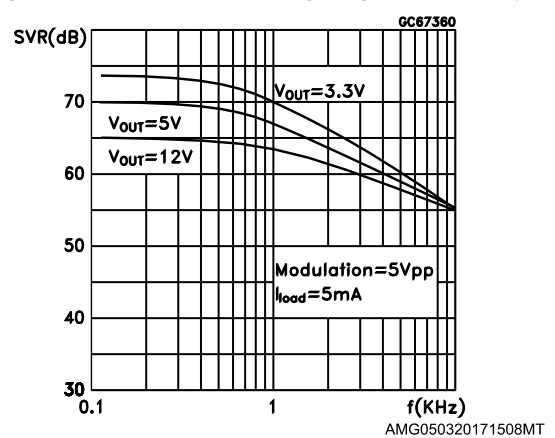


Figure 9: SVR vs input voltage signal frequency



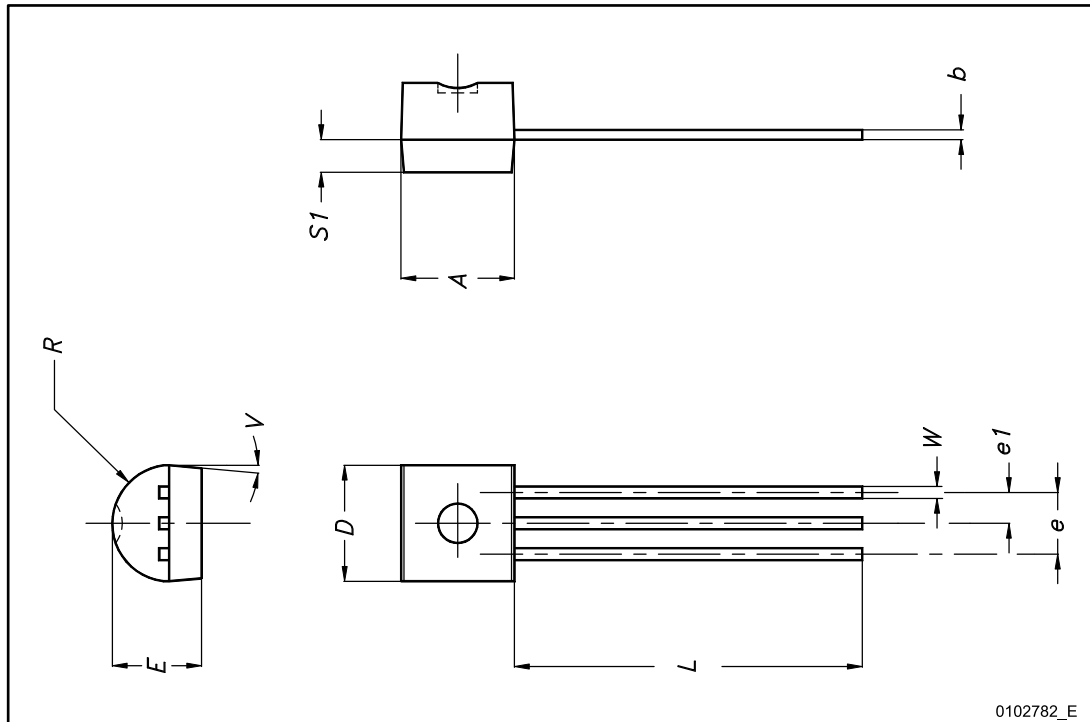


## 7 Package information

In order to meet environmental requirements, ST offers these devices in different grades of ECOPACK® packages, depending on their level of environmental compliance. ECOPACK® specifications, grade definitions and product status are available at: [www.st.com](http://www.st.com). ECOPACK® is an ST trademark.

### 7.1 TO-92 package information

Figure 10: TO-92 package outline



0102782\_E

Table 12: TO-92 mechanical data

Dim.	mm		
	Min.	Typ.	Max.
A	4.32		4.95
b	0.36		0.51
D	4.45		4.95
E	3.30		3.94
e	2.41		2.67
e1	1.14		1.40
L	12.70		15.49
R	2.16		2.41
S1	0.92		1.52
W	0.41		0.56
V		5°	

## 7.2 TO-92 Ammopak packing information

Figure 11: TO-92 Ammopak tape and reel outline

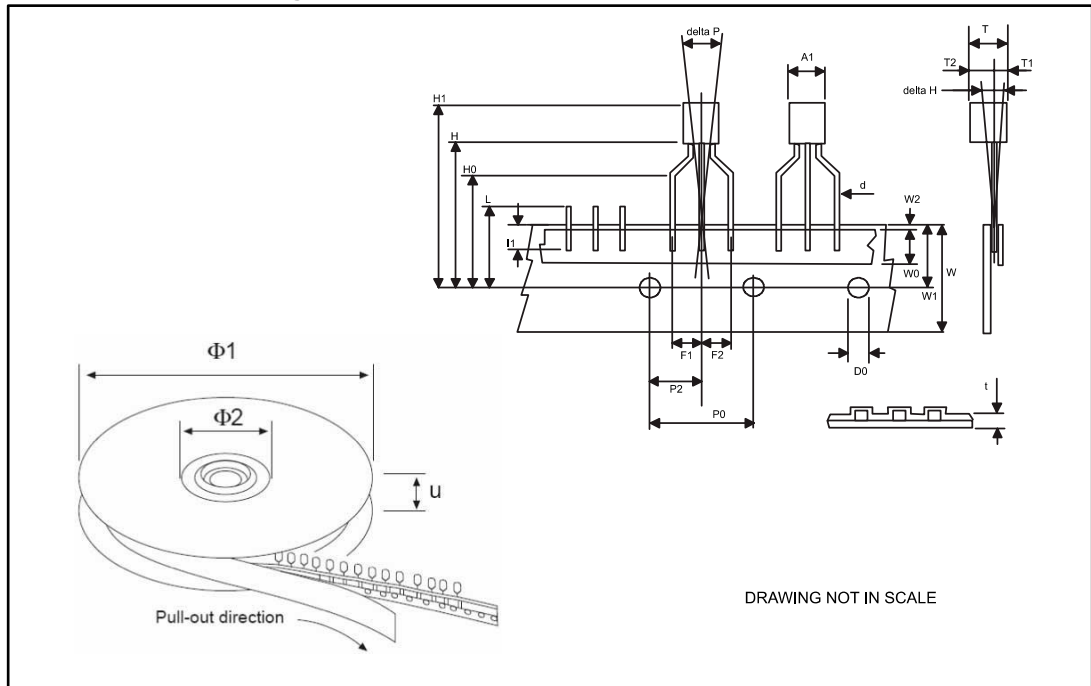
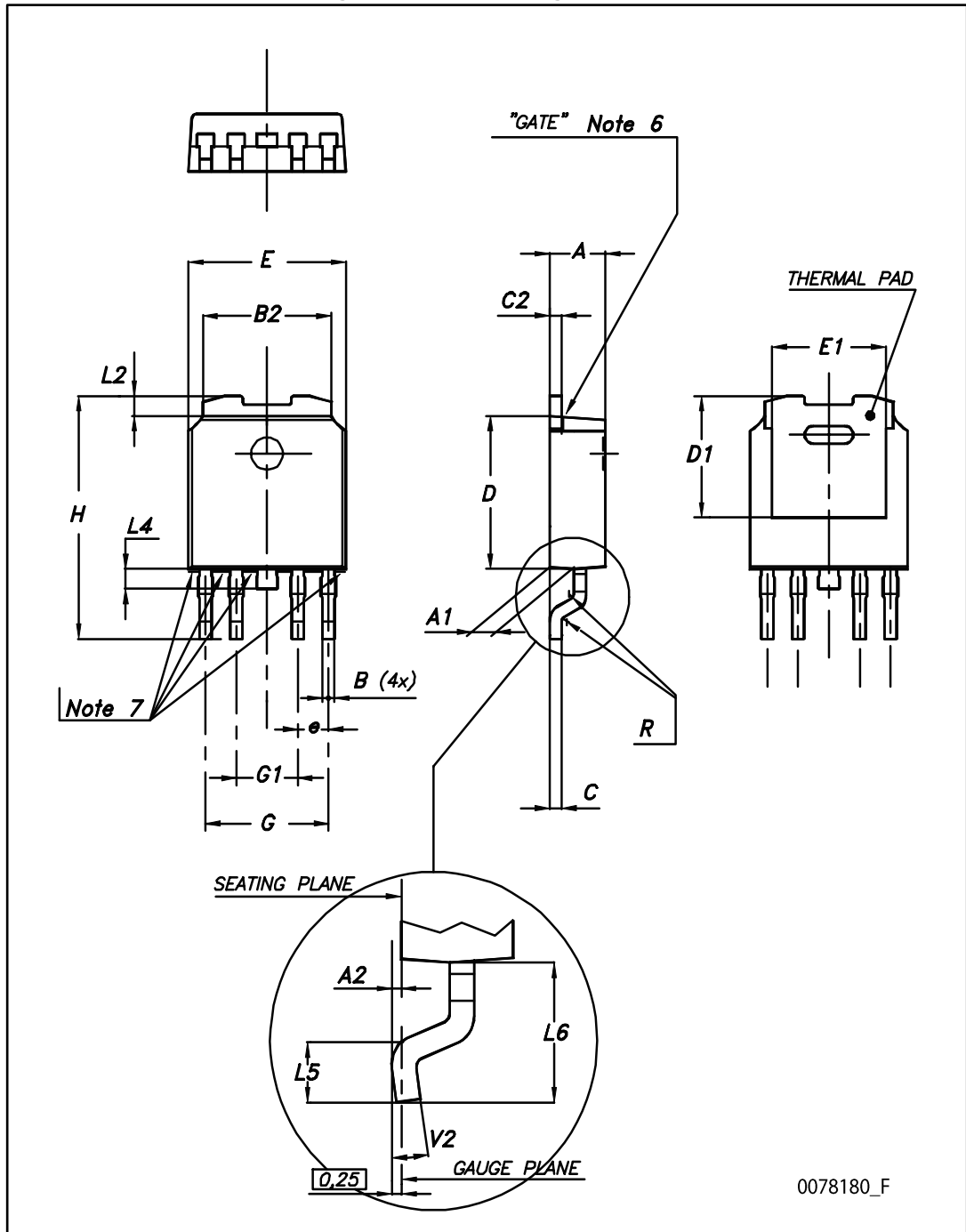


Table 13: TO-92 Ammopak tape and reel mechanical data

Dim.	mm		
	Min.	Typ.	Max.
A1			4.80
T			3.80
T1			1.60
T2			2.30
d	0.45	0.47	0.48
P0	12.50	12.70	12.90
P2	5.65	6.35	7.05
F1, F2	2.40	2.50	2.94
F3	4.98	5.08	5.48
delta H	-2.00		2.00
W	17.50	18.00	19.00
W0	5.5	6.00	6.5
W1	8.50	9.00	9.25
W2			0.50
H		18.50	21
H3	0.5	1	2
H0	15.50	16.00	18.8
H1		25.0	27.0
D0	3.80	4.00	4.20
t			0.90
L			11.00
I1	3.00		
delta P	-1.00		1.00

### 7.3 PPAK package information

Figure 12: PPAK package outline



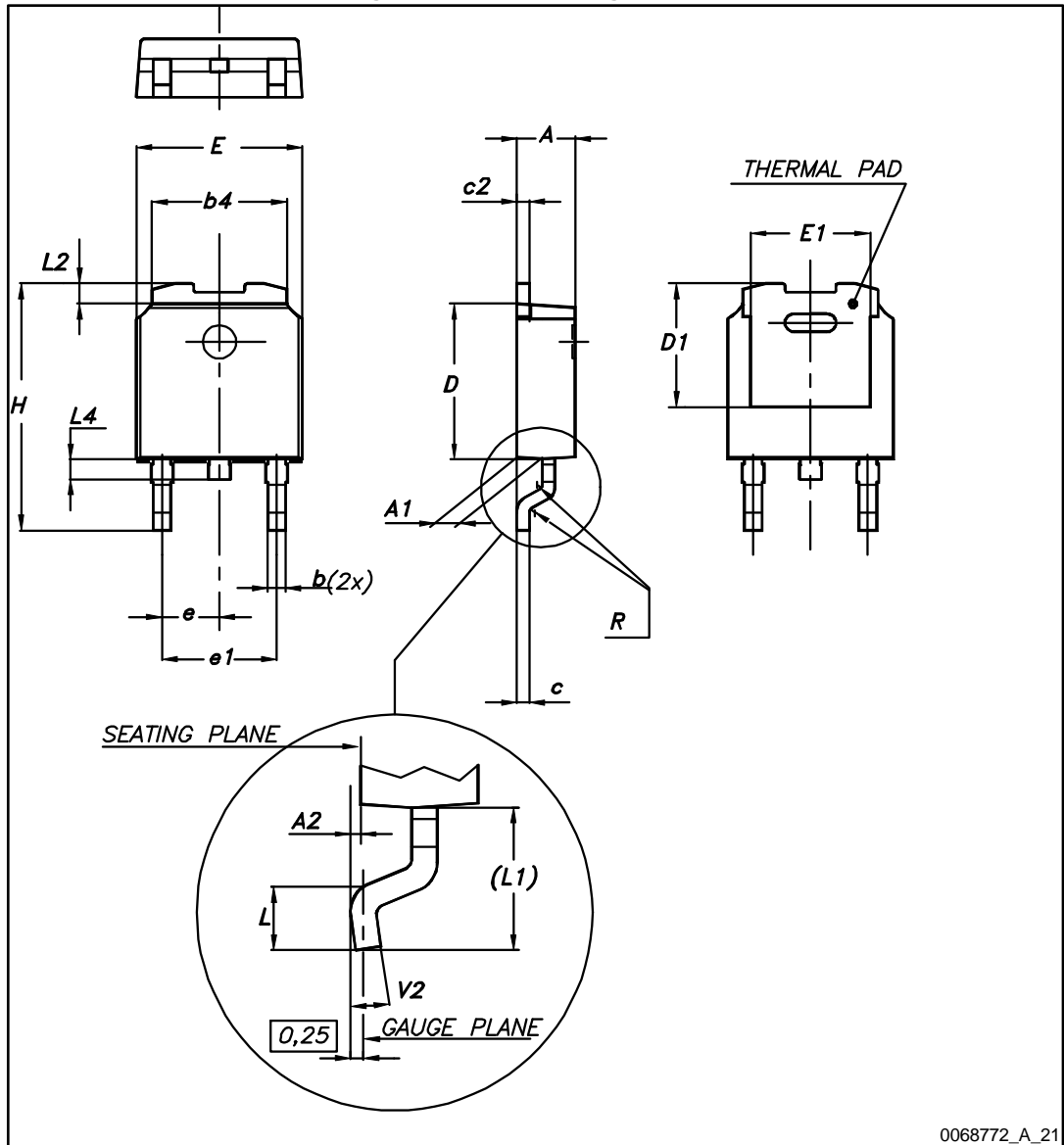
0078180\_F

Table 14: PPAK mechanical data

Dim.	mm		
	Min.	Typ.	Max.
A	2.2		2.4
A1	0.9		1.1
A2	0.03		0.23
B	0.4		0.6
B2	5.2		5.4
C	0.45		0.6
C2	0.48		0.6
D	6		6.2
D1		5.1	
E	6.4		6.6
E1		4.7	
e		1.27	
G	4.9		5.25
G1	2.38		2.7
H	9.35		10.1
L2		0.8	1
L4	0.6		1
L5	1		
L6		2.8	
R		0.20	
V2	0°		8°

### 7.4 DPAK package information

Figure 13: DPAK package outline

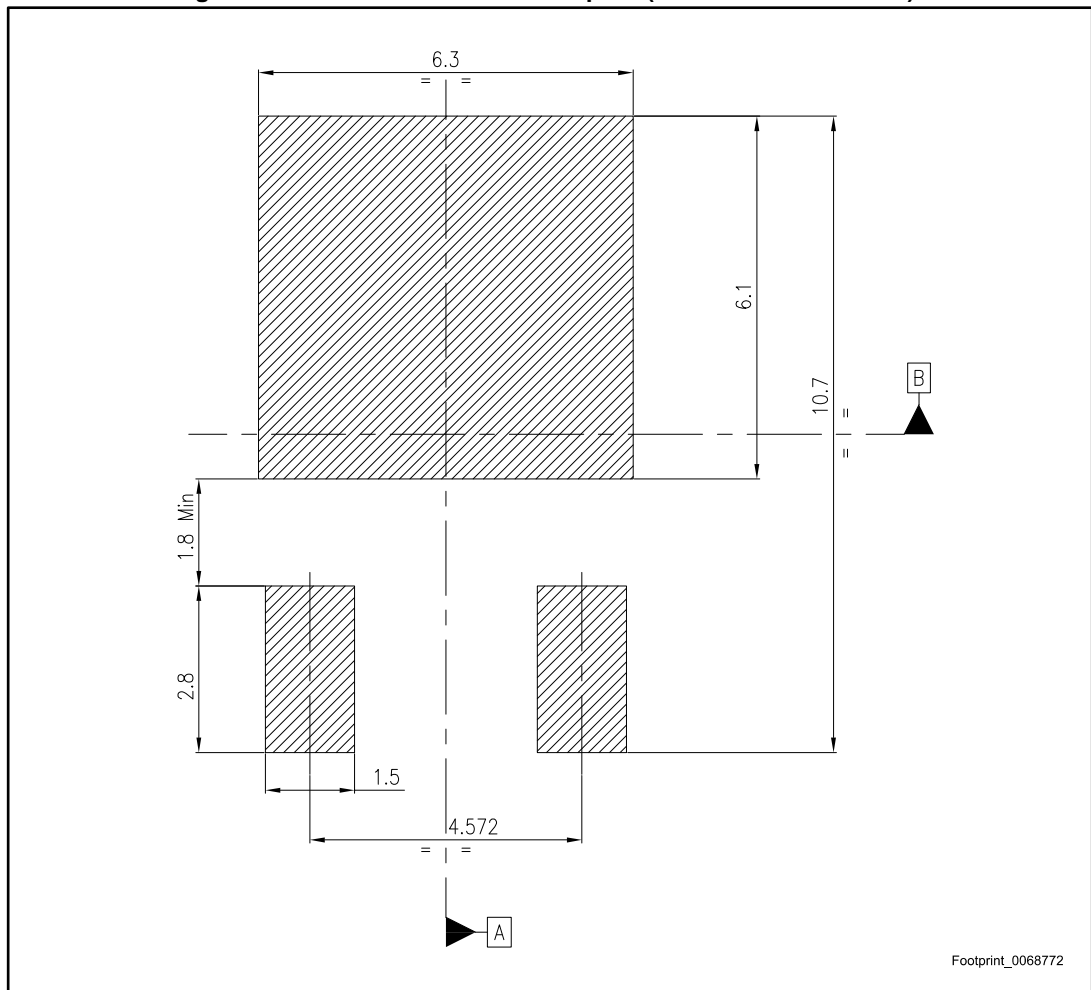


0068772\_A\_21

Table 15: DPAK mechanical data

Dim.	mm		
	Min.	Typ.	Max.
A	2.20		2.40
A1	0.90		1.10
A2	0.03		0.23
b	0.64		0.90
b4	5.20		5.40
c	0.45		0.60
c2	0.48		0.60
D	6.00		6.20
D1		5.10	
E	6.40		6.60
E1		4.70	
e		2.28	
e1	4.40		4.60
H	9.35		10.10
L	1.00		1.50
(L1)		2.80	
L2		0.80	
L4	0.60		1.00
R		0.20	
V2	0°		8°

Figure 14: DPAK recommended footprint (dimensions are in mm)





# 7.5 PPAK and DPAK paking information

Figure 15: PPAK and DPAK tape

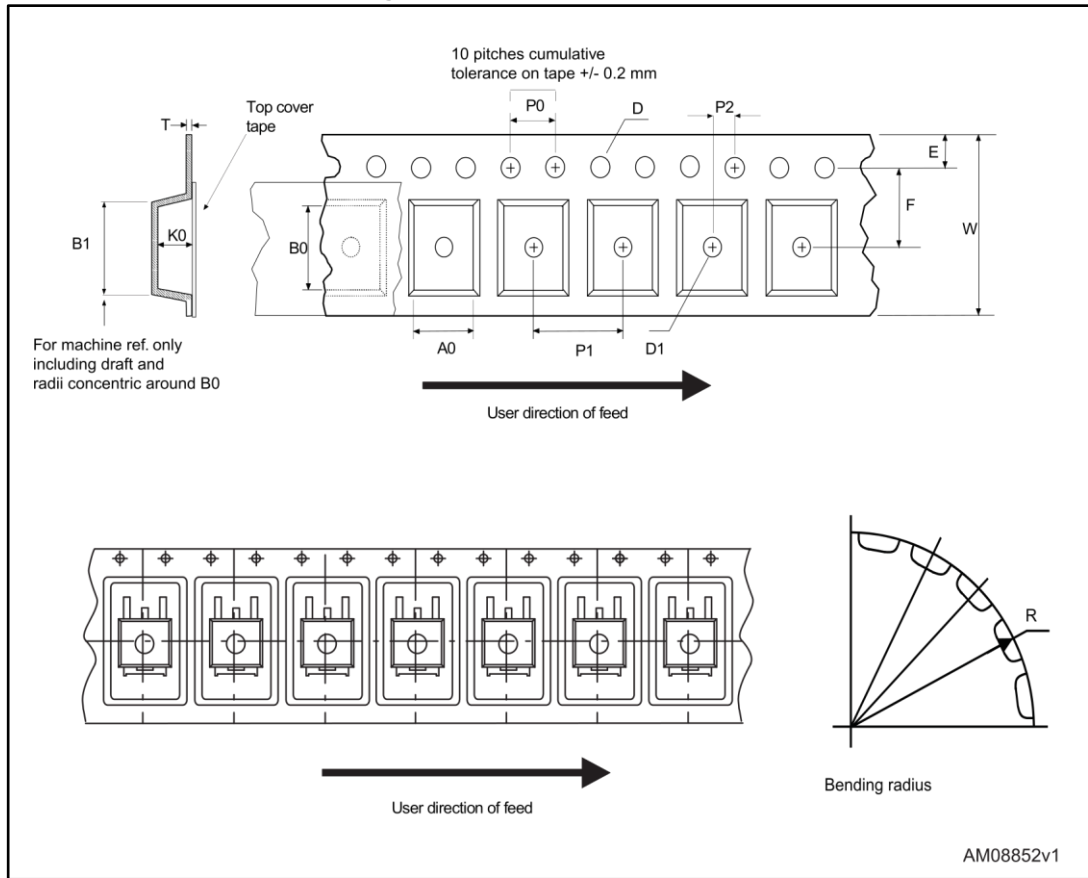


Figure 16: PPAK and DPAK reel

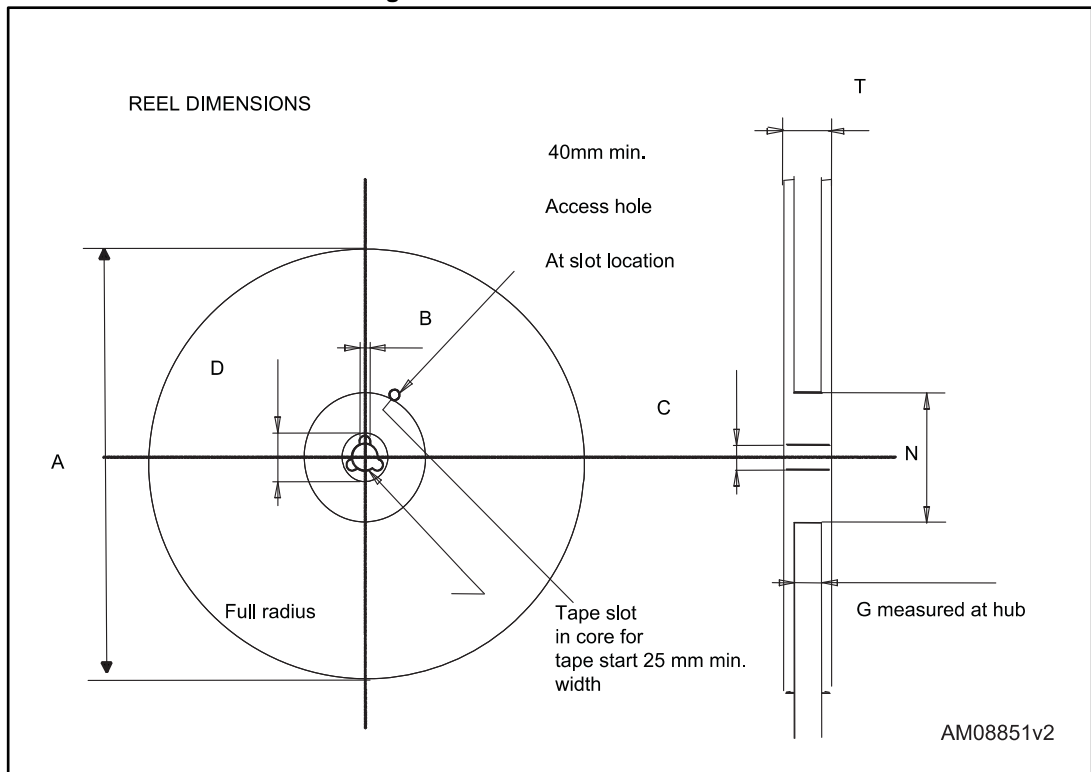


Table 16: PPAK and DPAK tape and reel mechanical data

Tape			Reel		
Dim.	mm		Dim.	mm	
	Min.	Max.		Min.	Max.
A0	6.8	7	A		330
B0	10.4	10.6	B	1.5	
B1		12.1	C	12.8	13.2
D	1.5	1.6	D	20.2	
D1	1.5		G	16.4	18.4
E	1.65	1.85	N	50	
F	7.4	7.6	T		22.4
K0	2.55	2.75			
P0	3.9	4.1	Base qty.		2500
P1	7.9	8.1	Bulk qty.		2500
P2	1.9	2.1			
R	40				
T	0.25	0.35			
W	15.7	16.3			

## 7.6 SO-8 package information

Figure 17: SO-8 package outline

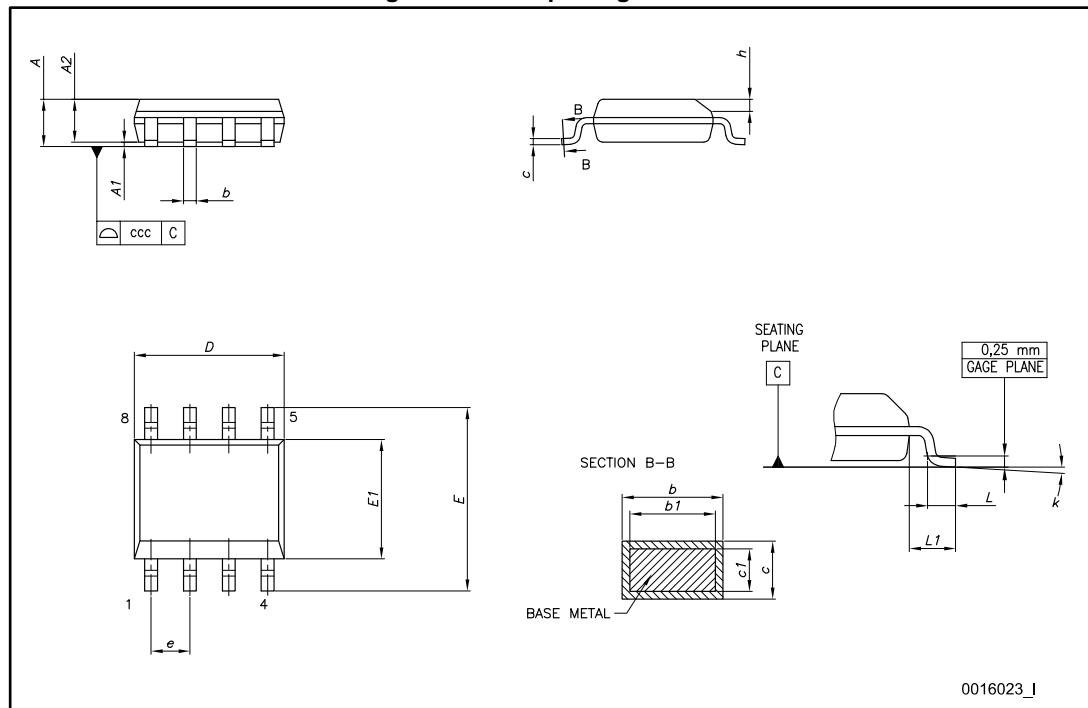
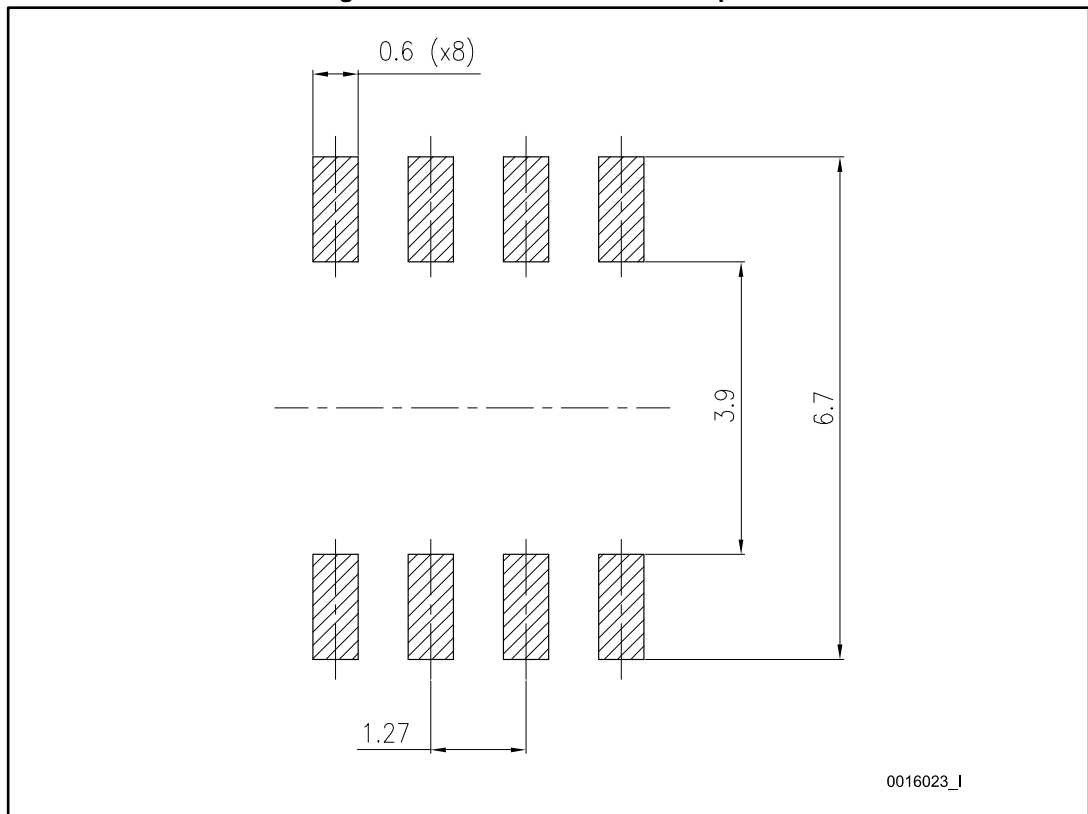


Table 17: SO-8 mechanical data

Dim.	mm		
	Min.	Typ.	Max.
A			1.75
A1	0.10		0.25
A2	1.25		
b	0.28		0.48
c	0.17		0.23
D	4.80	4.90	5.00
E	5.80	6.00	6.20
E1	3.80	3.90	4.00
e		1.27	
h	0.25		0.50
L	0.40		1.27
L1		1.04	
k	0°		8°
ccc			0.10

Figure 18: SO-8 recommended footprint



## 7.7 SO-8 packing information

Figure 19: SO8-batwing tape and reel outline

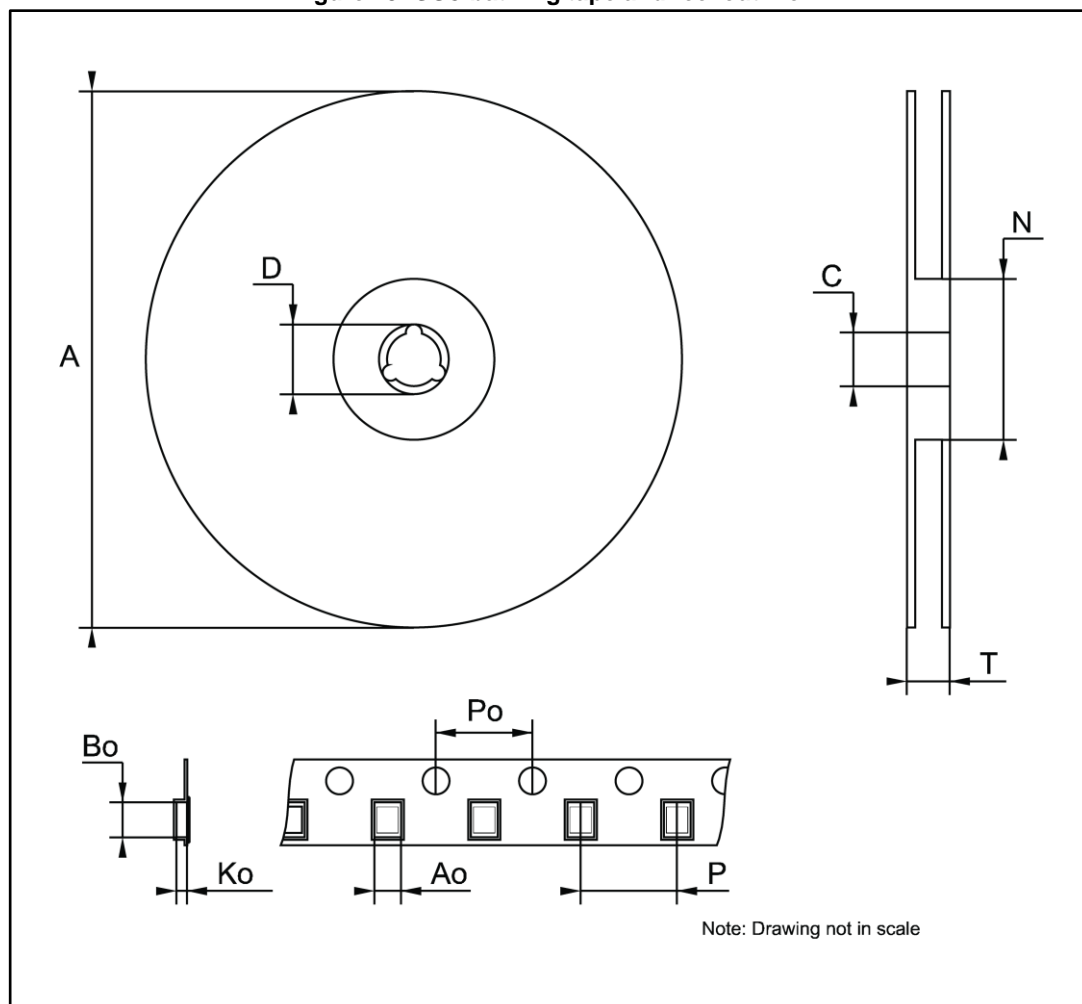


Table 18: SO8-batwing mechanical data

Dim.	mm		
	Min.	Typ.	Max.
A			330
C	12.8		13.2
D	20.2		
N	60		
T			22.4
A0	8.1		8.5
B0	5.5		5.9
K0	2.1		2.3
P0	3.9		4.1
P	7.9		8.1

## 8 Ordering information

Table 19: Order codes

Package					Output voltage
TO-92	PPAK	DPAK	SO-8	SO-8 (automotive-grade)	
			L4931CD27-TR	L4931CD27-TRY <sup>(1)</sup>	2.7 V
L4931CZ33-AP		L4931CDT33-TR	L4931CD33-TR	L4931CD33-TRY <sup>(1)</sup>	3.3 V
		L4931ABDT33-TR	L4931ABD33-TR		3.3 V
			L4931CD35-TR		3.5 V
		L4931ABDT35TR	L4931ABD35-TR		3.5 V
L4931CZ50-AP	L4931CPT50-TR	L4931CDT50-TR	L4931CD50-TR		5 V
		L4931ABDT50-TR	L4931ABD50-TR		5 V
			L4931CD80-TR		8 V
		L4931ABDT80-TR			8 V
			L4931CD120-TR		12 V
			L4931ABD120TR		12 V

**Notes:**

<sup>(1)</sup>Qualified and characterized according to AEC Q100 and Q003 or equivalent, advanced screening according to AEC Q001 and Q002 or equivalent.

## 9 Revision history

**Table 20: Document revision history**

Date	Revision	Changes
21-Jun-2004	11	Document updating.
14-Jun-2006	12	Order codes updated.
31-Jan-2008	13	Added: Table 1 and new order codes for Automotive grade products.
20-Feb-2008	14	Modified: Table 23 on page 36.
11-Mar-2008	15	Modified: Table 1 on page 1 and Table 23 on page 36.
15-Jul-2008	16	Modified: Table 1 on page 1 and Table 23 on page 36.
18-Aug-2008	17	Modified: Table 23 on page 36.
30-Oct-2013	18	<p>Changed the L4931ABxx and L4931Cxx to L4931.</p> <p>Updated: Description in cover page.</p> <p>Deleted table1: Device summary.</p> <p>Updated Figure 2: Pin connections (top view), Table 2: Thermal data, Section 5: Electrical characteristics and Section 7: Package mechanical data.</p> <p>Added Section 8: Packaging mechanical data.</p> <p>Minor text changes.</p>
02-Aug-2017	19	<p>Updated features in cover page.</p> <p>Deleted table 3: L4931Cxx27 electrical characteristics, table 4: L4931Cxx27-TRY (automotive-grade) electrical characteristics, table 12:L4931ABxx80 electrical characteristics, table 13: L4931Cxx80 electrical characteristics.</p> <p>Updated <a href="#">Table 19: "Order codes"</a>.</p> <p>Minor text changes.</p>