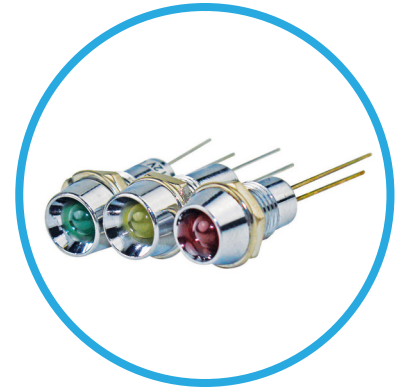


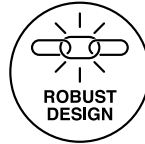
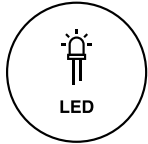
# L65 Series

## Ø0.315 (8.0mm) 5mm LED

### Robust Panel Mount Indicator



L65 is available in a robust body and recessed LED position, supplied with lock washer and hex nut, in three different diffused LEDs colors



#### Applications

- Industrial
- Transportation
- Food Service
- People Movers
- Medical
- Maritime
- Oil and Gas Industry
- Manufacturing
- Automation and Control

#### Key Features

- Mounting Hole Size: 0.315" (8.0mm)
- Max. Panel Thickness: 0.196" (5.0mm)
- Max. Mounting Torque: 5.9 lbs-in (6.8kg-cm)
- Three colors available: red, green, yellow
- Low power consumption
- Body Material: Zinc Alloy, Chrome plated
- Base Material: Phenolic (UL94 V-1)
- Diffused T-1 3/4 (5mm) LED
- Straight leads terminals
- Rated Voltage from 2 to 24 VDC
- Reflector designed to allow maximum light distribution with a 30° or 45° viewing angle
- Front panel mounting
- Life expectancy of 100,000 hours
- High brightness LEDs for daylight viewing
- Mounting hardware provided. Fixing nut and washer included
- Recessed LED position
- Low power consumption
- For customized options, please contact VCC
- Compliant with RoHS and REACH requirements

## Ordering Data

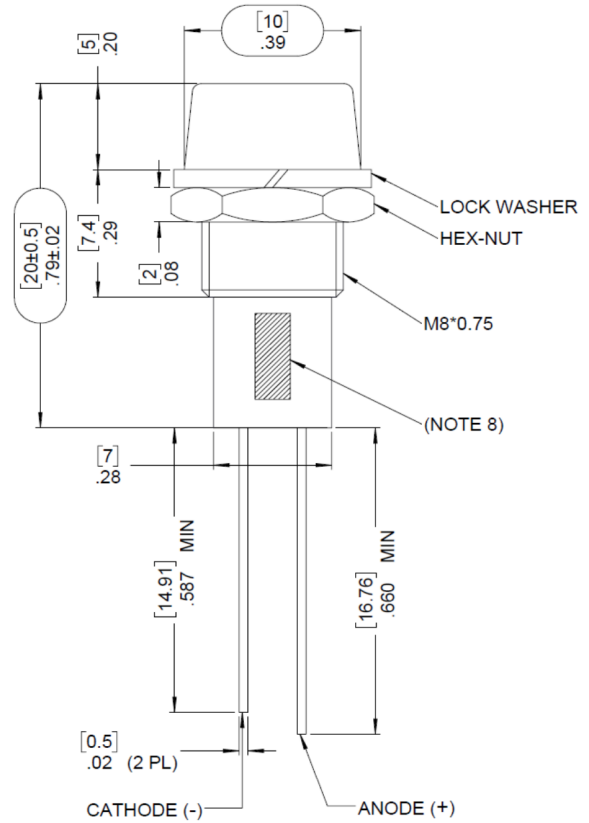
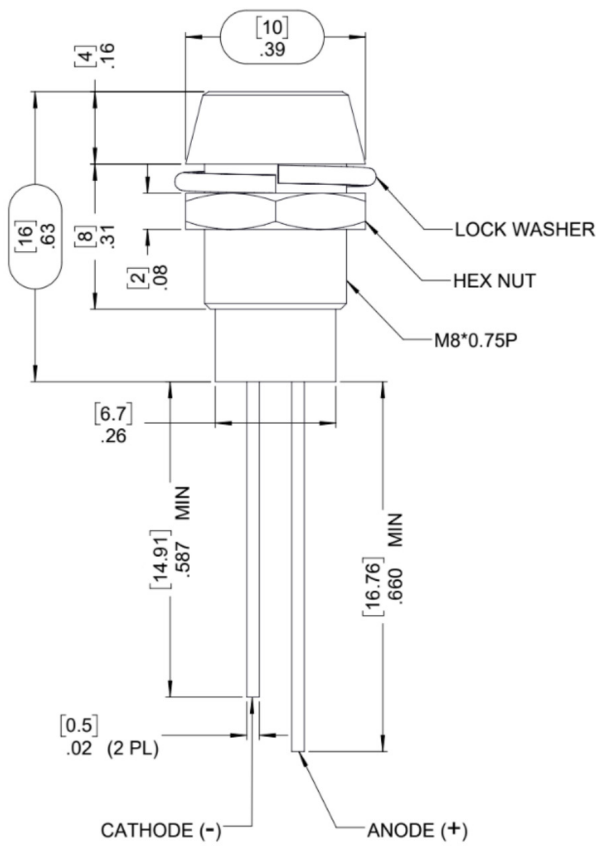
The L65 Series is available in a range of standard features and options.

To specify your Panel Mount Indicator, simply choose one option from each column.

Series	LED Size	LED Lens Type	Color	Rated Voltage	Termination Style
L	65	D	G	2	L
	65   5mm LED	Diffused	G   Green R   Red Y   Yellow	2   2 VDC 12   12 VDC 24   24 VDC	Straight Leads

# Product Dimensions

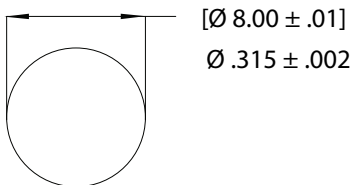
## L65 Series



General tolerances unless otherwise specified

	inches	mm
.X	±.020	±.508
.XX	±.010	±.254

### Recommended Mounting Hole



### Notes:

1. All dimensions are in [mm] inches