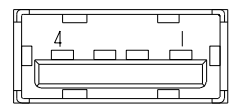
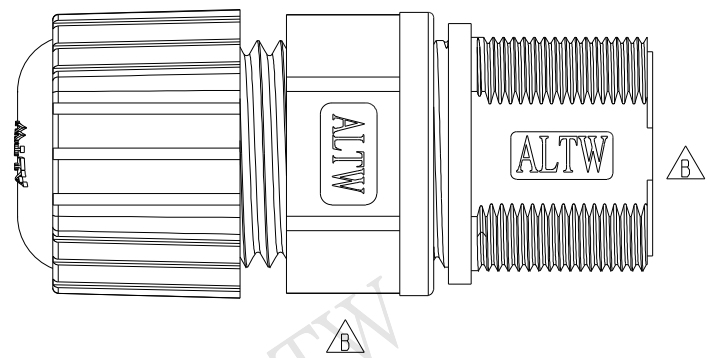
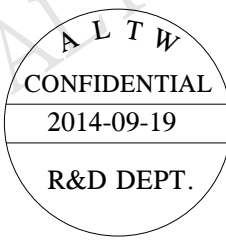
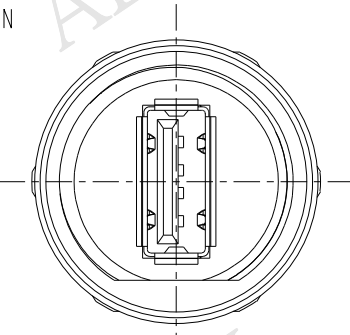
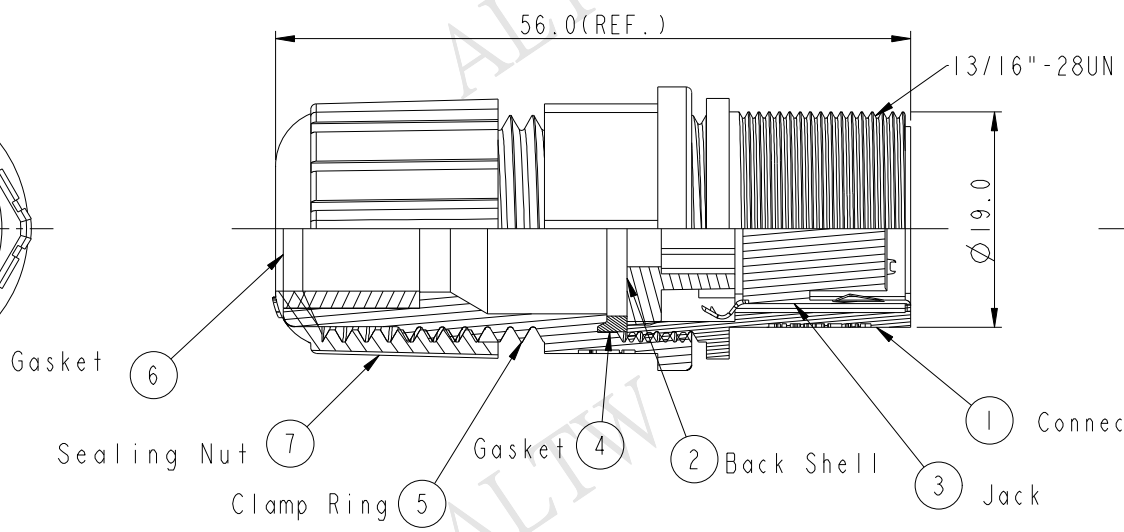
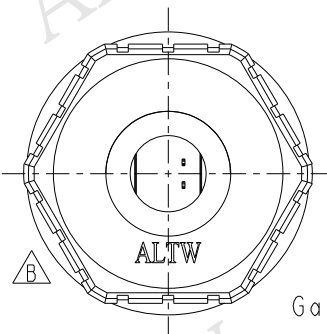


REV.	ECN NO.	DATE	SIGN	DESCRIPTION
B	LEN1490381	2014/09/19	Lu Di	Update Logo



Pin Assignments Front View 前視圖

- Note:
1. Seals For Cable OD: $\varnothing 5.0\text{mm} \sim \varnothing 10.8\text{mm}$ (防水墊圈線徑)
 2. One Set Unassembly In One PE Bag (每一組未組裝放於一個PE袋並封上)
 3. \varnothing Important Dimension (\varnothing 為重點檢驗尺寸)

UNIT:mm		TITLE		ITEM NO		DRAWN BY		DATE		
		USB A Type Male Connector Assembly		UA-20BMFA-SL8001		Lu Di		2014/09/19		
		SCALE	SIZE	SHEET	OF	DWG NO	CHECKED BY	DATE		
		3:2	A4	1	1	UA-20BMFA-SL8001	Mafei	2014/09/19		
TOLERANCE		REV.	WC-REV.	CUSTOMER		APPROVED BY		DATE		
.X ±0.25		B	A.4	ALTW		Jerry		2014/09/19		
.XX ±0.1		\varnothing : Inspection item								
.XXX ±0.05										
ANGLES ±1°										

Amphenol LTW
安費諾亮泰企業股份有限公司

THIS DOCUMENT IS SUBJECT TO CHANGE WITHOUT NOTICE. IT IS CONFIDENTIAL AND A PROPERTY OF Amphenol LTW. DISCLOSURE TO THIRD PARTY HAS TO BE AUTHORIZED BY Amphenol LTW.