































































































































































































































































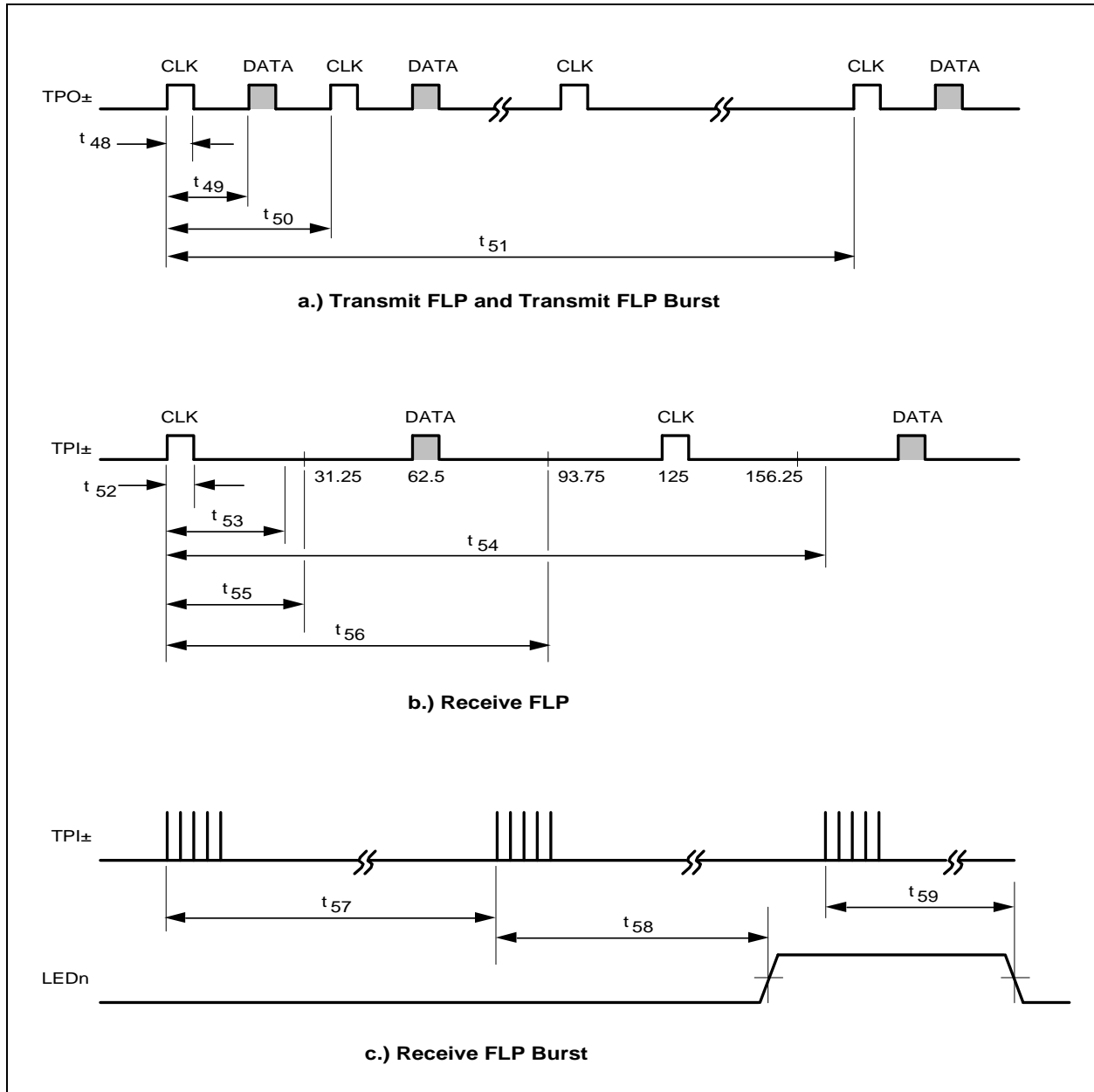








**FIGURE 14-17: FLP LINK PULSE TIMING**



# LAN91C111

## 15.0 PACKAGE OUTLINES

FIGURE 15-1: 128-PIN TQFP PACKAGE OUTLINE, 14X14X1.0 BODY, 0.4MM PITCH

