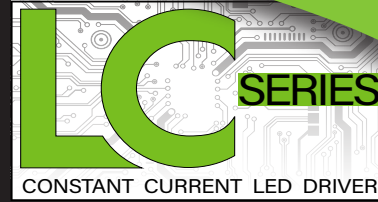


HATCH LED DRIVERS



GENERAL INFORMATION

LED Driver Type	Constant Current (Class 2)
Maximum Wattage	25Watts
Input Voltage	120 VAC \pm 10% Dedicated 120 - 277 VAC \pm 10% Universal
Input Frequency	50/60Hz
Total Harmonic Distortion	<20%

CASE STYLE Q: POLYCARBONATE



ELECTRICAL SPECIFICATIONS

Watts	Rated Current	Output Voltage	Dimming Type	Input Voltage	Input Power	Input Current	Power Factor	Efficiency	Hatch Part Number	
Dimming Models										
25W	**350mA	24 - 72 VDC	0-10V Dimming	120 - 277 VAC	30W	0.28/0.13A	>0.90	80%	**LC25-0350Z-UNV-Q	
	*450mA	19 - 56 VDC	0-10V Dimming	120 - 277 VAC	30W	0.28/0.13A	>0.90	81%	*LC25-0450Z-UNV-Q	
	*500mA	17 - 50 VDC	0-10V Dimming	120 - 277 VAC	30W	0.28/0.13A	>0.90	81%	*LC25-0500Z-UNV-Q	
	600mA	14 - 42 VDC	0-10V Dimming	120 - 277 VAC	30W	0.28/0.13A	>0.90	81%	LC25-0600Z-UNV-Q	
	700mA	12 - 36 VDC	0-10V Dimming	120 - 277 VAC	30W	0.28/0.13A	>0.90	81%	LC25-0700Z-UNV-Q	
	850mA	10 - 29 VDC	0-10V Dimming	120 - 277 VAC	30W	0.28/0.13A	>0.90	81%	LC25-0850Z-UNV-Q	
	1050mA	9 - 24 VDC	0-10V Dimming	120 - 277 VAC	30W	0.28/0.13A	>0.90	81%	LC25-1050Z-UNV-Q	
	1200mA	8 - 21 VDC	0-10V Dimming	120 - 277 VAC	30W	0.28/0.13A	>0.90	81%	LC25-1200Z-UNV-Q	
	1400mA	6 - 18 VDC	0-10V Dimming	120-277 VAC	30W	0.28/0.13A	>0.90	81%	LC25-1400Z-UNV-Q	
	Phase Dimming Models									
	**350mA	24 - 72 VDC	Phase Dimming	120 VAC	30W	0.29A	>0.90	>0.90	80%	**LC25-0350P-120-Q
	*450mA	19 - 56 VDC	Phase Dimming	120 VAC	30W	0.29A	>0.90	>0.90	81%	*LC25-0450P-120-Q
	*500mA	17 - 50 VDC	Phase Dimming	120 VAC	30W	0.29A	>0.90	>0.90	81%	*LC25-0500P-120-Q
	600mA	14 - 42 VDC	Phase Dimming	120 VAC	30W	0.29A	>0.90	>0.90	81%	LC25-0600P-120-Q
700mA	12 - 36 VDC	Phase Dimming	120 VAC	30W	0.29A	>0.90	>0.90	81%	LC25-0700P-120-Q	
900mA	9 - 28 VDC	Phase Dimming	120 VAC	30W	0.29A	>0.90	>0.90	81%	LC25-0900P-120-Q	
1050mA	8 - 24 VDC	Phase Dimming	120 VAC	30W	0.29A	>0.90	>0.90	80%	LC25-1050P-120-Q	

** Non-Class 2 *Class 2 US ONLY

PRODUCT FEATURES

- Short circuit and overload protection
- Suitable for wet locations
- Withstanding voltage: I/P – O/P 4.0kVDC, 2mA
- Operating temperature range: -40°C to 90°C (measured at Tcase)
- MTBF: 374,000 hours @ 40°C ambient (~70°C case temp)
- Surge voltage rating: L-N 2kV,
- Inrush Current: <5A Max @120VAC for 120V input models, cold start 25°C
- Inrush Current: <7A Max @230VAC for Universal input models, cold start 25°C
- Output Current tolerance +/- 5% @ 25°C
- 0-10V dimming range: 10%-100%

APPROVALS

- UL 8750 recognized component
- EN61000-3-2
- EMC: Meets FCC47 CFR Part 15 (Class B) consumer limits
- IP66

**TYPE
HL**

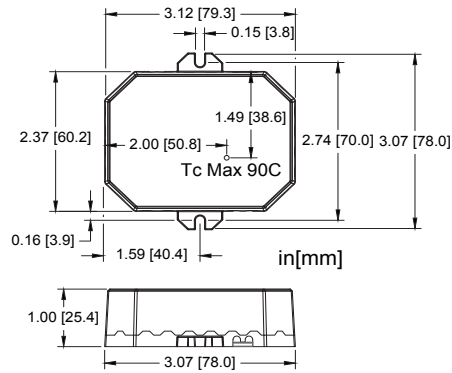


WARRANTY

- 5 year limited warranty

Specifications subject to change without notice.

MECHANICAL SPECIFICATIONS: CASE STYLE Q



DIMENSIONS [IN/MM]

Length:	3.07 [78.0]
Mounting:	2.74 [69.6]
Width:	3.14 [79.8]
Height:	1.00 [25.4]

WIRING INFORMATION

Input:	12", Black (L), White (N) #18AWG
Output:	12", Red (+), Blue (-) #18AWG #22AWG (with Class 2 Output)
Dimming:	12", Purple (+), Grey (-) #22AWG

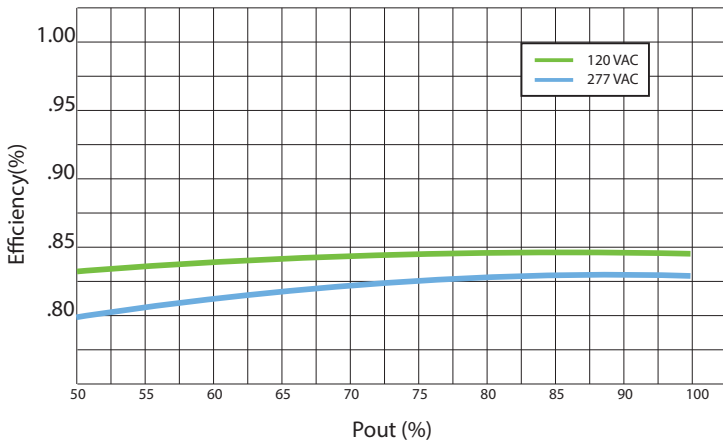
PACKAGING INFORMATION

Weight:	6.4 oz
Quantity:	50pc/carton

PERFORMANCE CURVES

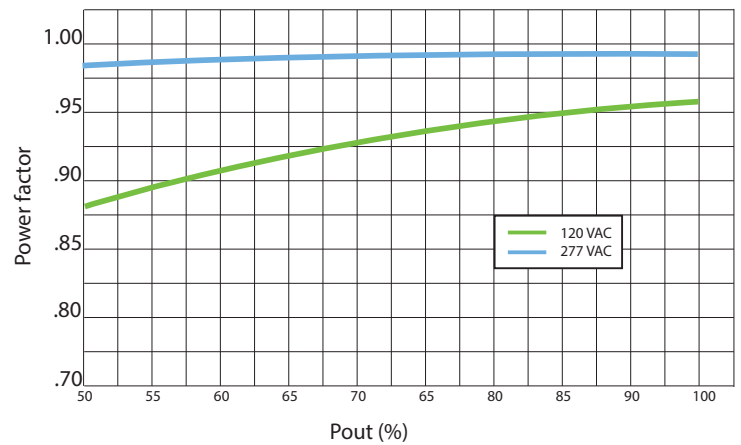
Efficiency VS Output Power

Efficiency vs. Output Power - 0-10V-Dimming

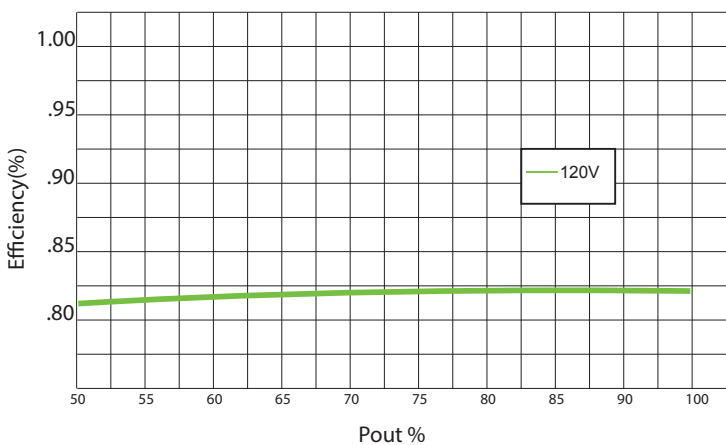


Power Factor VS Output Power

Power Factor vs. Output Power - 0-10V Dimming



Efficiency vs. Output Power - Phase Dimming



Power Factor vs. Output Power - Phase Dimming

