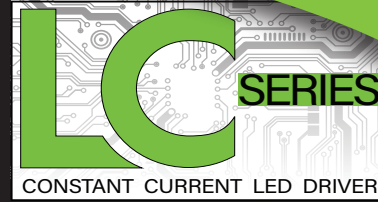


HATCH LED DRIVERS



GENERAL INFORMATION

LED Driver Type	Constant Current
Maximum Wattage	30 Watts
Input Voltage	120 - 277 VAC ± 10% Universal
Input Frequency	50/60Hz
Total Harmonic Distortion	<20%

CASE STYLE FF: POLYCARBONATE



FOR FUTURE RELEASE

ELECTRICAL SPECIFICATIONS

Watts	Rated Current	Output Voltage	Dimming Type	Input Voltage	Input Power	Input Current	Power Factor	Efficiency	Hatch Part Number
Dimming Models									
30W	350mA	42 - 85 VDC	0-10V Dimming	120 - 277 VAC	34W	0.36/0.16A	>0.90	89%	LC30-0350Z-UNV-FF
	450mA	34 - 66 VDC	0-10V Dimming	120 - 277 VAC	33W	0.36/0.16A	>0.90	88%	LC30-0450Z-UNV-FF
	700mA	22 - 43 VDC	0-10V Dimming	120 - 277 VAC	33W	0.36/0.16A	>0.90	87%	*LC30-0700Z-UNV-FF

*Class 2 US

PRODUCT FEATURES

- Short circuit and overload protection
- Over temperature protection
- Suitable for wet locations
- Withstanding voltage: I/P – O/P 4.0kVDC, 2mA
- Surge rating: 2kV L-N
- Operating temperature range: -40°C to 90°C (measured at Tcase)
- Dimming range: 10%-100%
- Inrush Current: <7A@230VAC, @ 25°C
- MTBF: 324,000 hrs @ 70°C

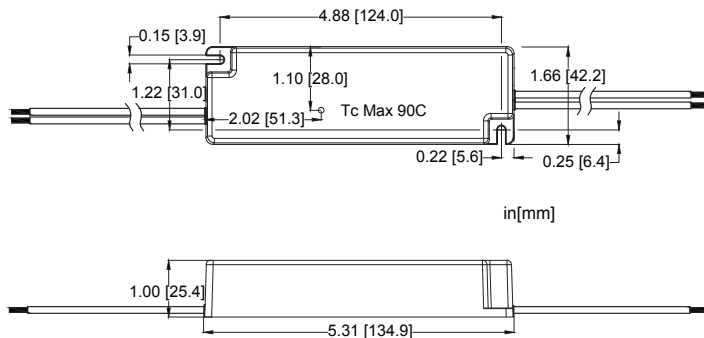
APPROVALS

- EN61000-3-2
- EMC: Meets FCC47 CFR Part 15 (Class B) consumer limits
- IP66

TYPE
HL



MECHANICAL SPECIFICATIONS: CASE STYLE FF



DIMENSIONS [IN/MM]

Length:	5.31 [134.9]
Mounting:	4.88 [124.0]
Width:	1.66 [42.2]
Height:	1.00 [25.4]

WIRING INFORMATION

Input:	12", Black (L), White (N) #18AWG
Output:	12", Red (+), Blue (-) #18AWG #22AWG (with Class 2 Output)
Dimming:	12", Purple (+), Grey (-) #22AWG

PACKAGING INFORMATION

Weight:	8.3oz
Quantity:	40pc/carton

WARRANTY

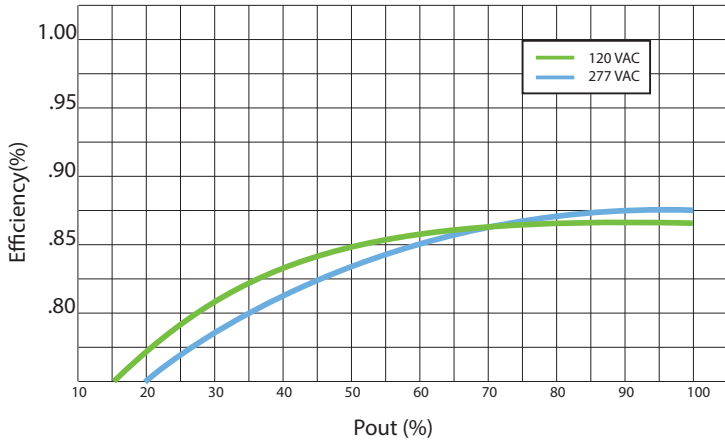
- 5 year limited warranty

* Specifications Subject to Change without notice.

PERFORMANCE CURVES

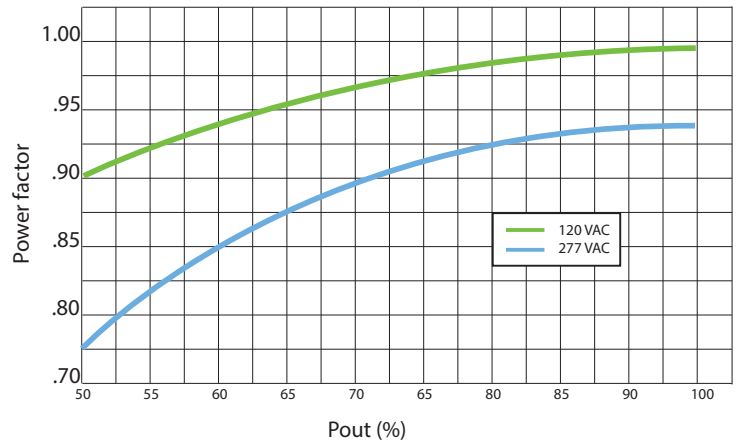
Efficiency VS Output Power

Efficiency vs. Output Power - 0-10V-Dimming



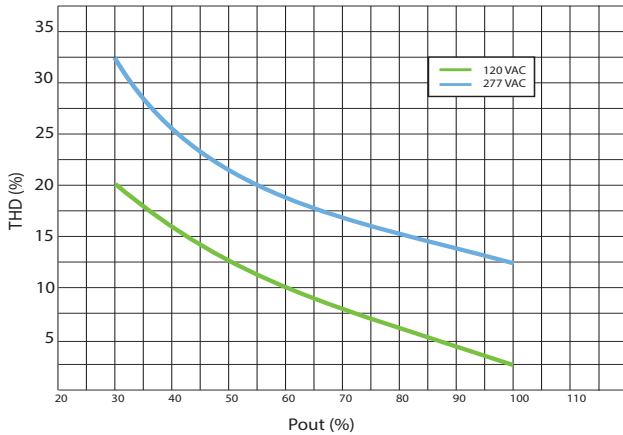
Power Factor VS Output Power

Power Factor vs. Output Power - 0-10V Dimming



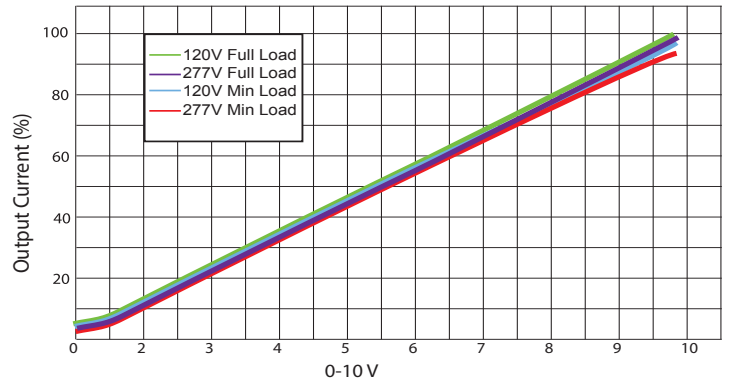
THD VS Output Power

THD vs Output Power - 0-10V-Dimming



Dimming Curves

Dimming Curve - 0-10V Dimming



Output voltage range must be maintained throughout entire dimming range.

Lifetime VS Case Temperature

Lifetime vs. Case Temperature

