

## GENERAL INFORMATION

|                           |                               |
|---------------------------|-------------------------------|
| LED Driver Type           | Constant Current (Class 2)    |
| Maximum Wattage           | 60 Watts                      |
| Input Voltage             | 120 - 277 VAC ± 10% Universal |
| Input Frequency           | 50/60Hz                       |
| Total Harmonic Distortion | <20%                          |

## CASE STYLE F: METAL



## ELECTRICAL SPECIFICATIONS

| Watts                 | Rated Current | Output Voltage | Dimming Type  | Input Voltage | Input Power | Input Current | Power Factor | Efficiency       | Hatch Part Number   |
|-----------------------|---------------|----------------|---------------|---------------|-------------|---------------|--------------|------------------|---------------------|
| <b>Dimming Models</b> |               |                |               |               |             |               |              |                  |                     |
| 60W                   | ** 700mA      | 43 - 86 VDC    | 0-10V Dimming | 120 - 277 VAC | 71W         | 0.61/0.27A    | >0.90        | 86%              | LC60-0700Z-UNV-F ** |
|                       | * 1050mA      | 29 - 57 VDC    | 0-10V Dimming | 120 - 277 VAC | 71W         | 0.61/0.27A    | >0.90        | 86%              | LC60-1050Z-UNV-F *  |
|                       | * 1200mA      | 25 - 50 VDC    | 0-10V Dimming | 120 - 277 VAC | 71W         | 0.61/0.27A    | >0.90        | 86%              | LC60-1200Z-UNV-F *  |
|                       | 1600mA        | 18 - 38 VDC    | 0-10V Dimming | 120 - 277 VAC | 71W         | 0.61/0.27A    | >0.90        | 86%              | LC60-1600Z-UNV-F    |
|                       | 1800mA        | 17 - 33 VDC    | 0-10V Dimming | 120 - 277 VAC | 71W         | 0.61/0.27A    | >0.90        | 86%              | LC60-1800Z-UNV-F    |
|                       | 2100mA        | 14 - 28 VDC    | 0-10V Dimming | 120 - 277 VAC | 71W         | 0.61/0.27A    | >0.90        | 86%              | LC60-2100Z-UNV-F    |
| 2400mA                | 12 - 25 VDC   | 0-10V Dimming  | 120 - 277 VAC | 71W           | 0.61/0.27A  | >0.90         | 86%          | LC60-2400Z-UNV-F |                     |

\*\* Non-Class 2 \*Class 2 US ONLY

## PRODUCT FEATURES

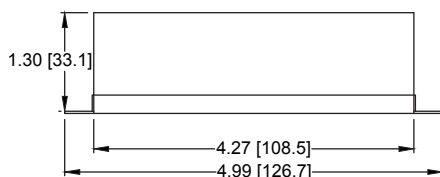
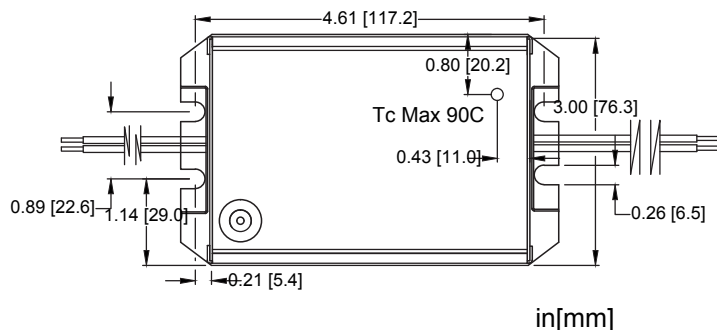
- Short circuit and overload protection
- Over temperature protection
- Suitable for dry and damp locations
- Withstanding voltage: I/P – O/P 2kVAC
- Operating temperature range: -40°C to 90°C (measured at Tcase)
- MTBF: 299,000 hours @ 40°C ambient (~70°C case temp)
- Surge voltage rating: L-N 4kV, L/N-GND 6kV
- Inrush Current: <30A Max @230VAC, cold start 25°C
- Output Current tolerance +/- 5% @ 25°C
- 0-10V dimming range: 10%-100%

## APPROVALS

- UL 8750 recognized component
- UL 8750 Class P upon request
- EN61000-3-2
- EMC: Meets FCC47 CFR Part 15 (Class B) consumer limits



## MECHANICAL SPECIFICATIONS: CASE STYLE F



## DIMENSIONS [IN/MM]

|           |              |
|-----------|--------------|
| Length:   | 4.99 [126.7] |
| Mounting: | 4.61 [117.2] |
| Width:    | 3.00 [76.3]  |
| Height:   | 1.30 [33.1]  |

## WIRING INFORMATION

|          |                                   |
|----------|-----------------------------------|
| Input:   | 12", Black (L), White (N) #18AWG  |
| Output:  | 12", Red (+), Blue (-) #18AWG     |
| Dimming: | 12", Purple (+), Grey (-) # 22AWG |

## PACKAGING INFORMATION

|           |             |
|-----------|-------------|
| Weight:   | 23oz        |
| Quantity: | 30pc/carton |

## WARRANTY

- 5 year limited warranty

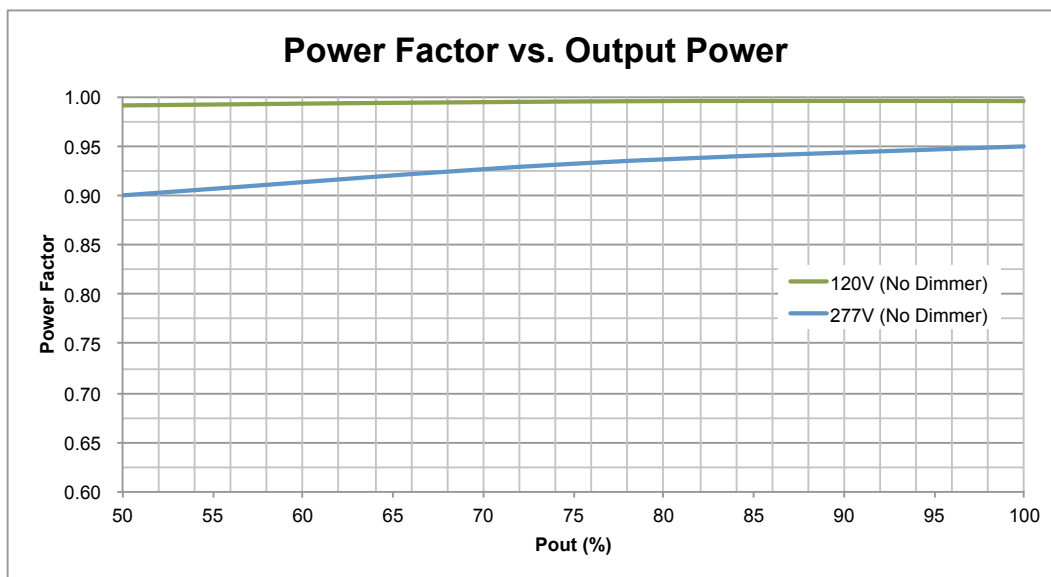
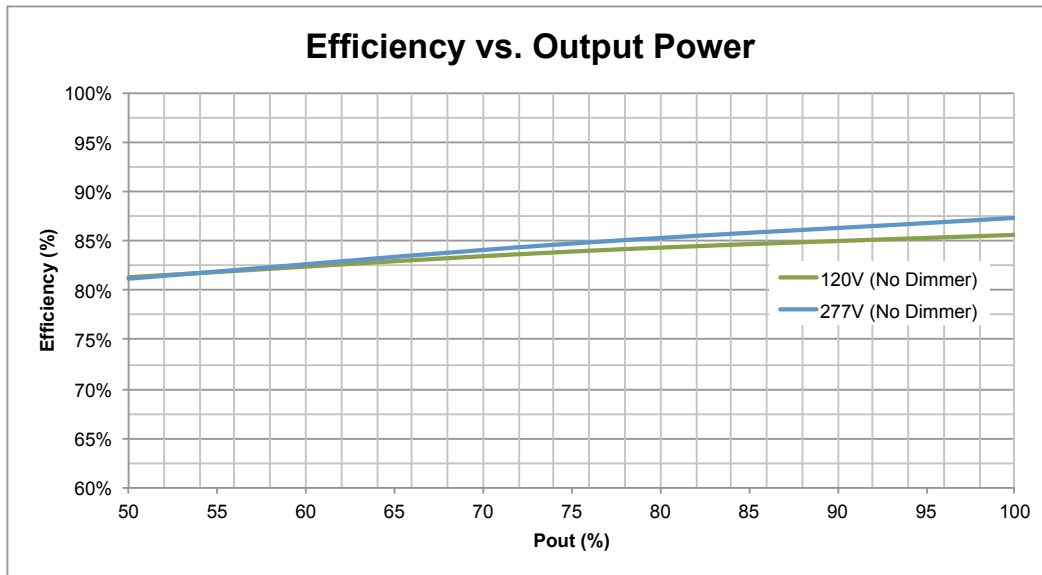
## GENERAL INFORMATION

|                           |                               |
|---------------------------|-------------------------------|
| LED Driver Type           | Constant Current (Class 2)    |
| Maximum Wattage           | 60 Watts                      |
| Input Voltage             | 120 - 277 VAC ± 10% Universal |
| Input Frequency           | 50/60Hz                       |
| Total Harmonic Distortion | <20%                          |

## CASE STYLE F: METAL



## PERFORMANCE CURVES



Efficiency and PF measured at 25°C.  
Measurements made on model LC60-2400Z-UNV-F.