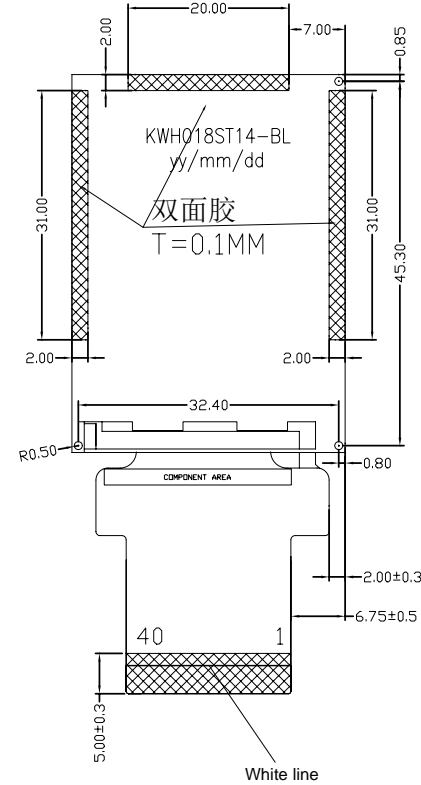
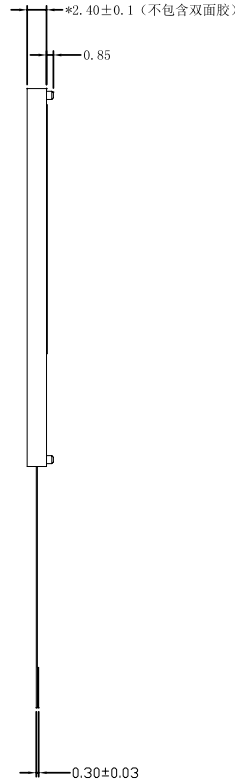
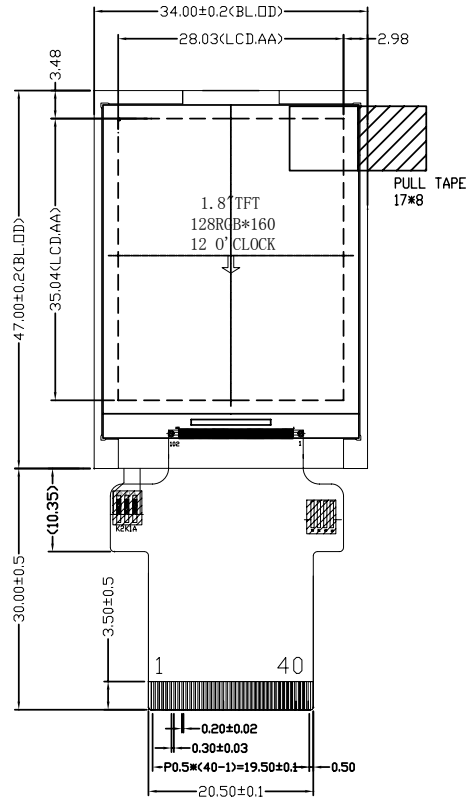


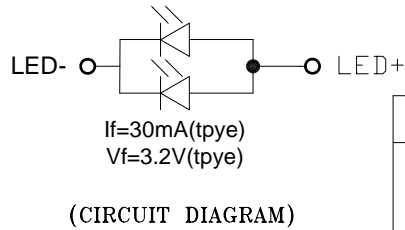
VERTION	DESCRIPTION	DATE
A	First Issue	2018-12-10
B	Change from soldering to connector	2018-12-12



1	LED+
2	LED-
3	GND
4	RESET
5	VCC
6	IDVCC
7	TE
8	DB17
9	DB16
10	DB15
11	DB14
12	DB13
13	DB12
14	DB11
15	DB10
16	DB9
17	DB8
18	DB7
19	DB6
20	DB5
21	DB4
22	DB3
23	DB2
24	DB1
25	DB0/SDI
26	RD/E
27	WR/RW
28	DC/SCL
29	CS
30	SPI4W
31	P68
32	IM2
33	IM1
34	IM0
35	GND
36	NC(XR)
37	NC(YD)
38	NC(XL)
39	NC(YU)
40	GND

NOTES:

- |                                     |                |
|-------------------------------------|----------------|
| 1. DISPLAY TYPE:                    | TFT            |
| 2. MODULE SIZE:                     | 1.8INCH        |
| 3. OPERATING TEMPERATURE:           | -20°C~70°C     |
| 4. STORAGE TEMPERATURE:             | -30°C~80°C     |
| 5. DRIVER IC:                       | ILI9163V       |
| 6. VIEWING DIRECTION:               | 12:00          |
| 7. BACKLIGHT:                       | 2LEDs/PARALLEL |
| 8. ROHS COMPLIANT                   |                |
| 9. Unspecified tolerance is ±0.20mm |                |



CUSTOMER APPROVE		 <b>FORMIKE ELECTRONIC CO.,LTD.</b> 深圳市科万宏电子有限公司 www.wandisplay.com		
		MODULE NO.	KWH018ST14-F01	VERTION: B
		MATERIAL NO.		SHEET: 1 OF 1
	ISSUED	CHECKED	APPROVED	UNIT: MM
	Leo	ZENG	LIU	DATE: Dec-12-2018