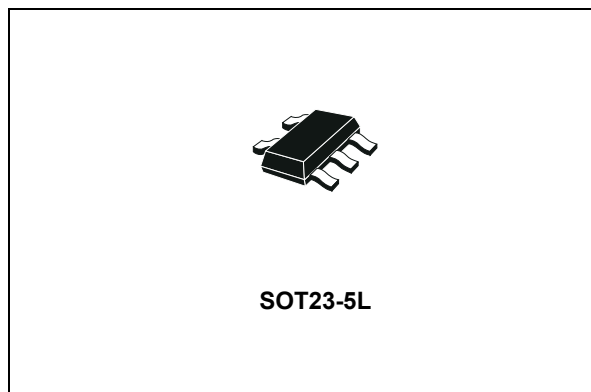


Ultra low drop voltage regulators compatible with low ESR output capacitors

Datasheet - production data



Description

The low drop voltage and the ultra low quiescent current make them suitable for low noise, low power applications and in battery powered systems. The quiescent current in sleep mode is less than 1 μA when the INHIBIT pin is pulled low. A shutdown logic control function is available on pin n° 3 (TTL compatible). This means that when the device is used as local regulator, it is possible to put a part of the board in standby, decreasing the total power consumption. The LD2980 is designed to work with low ESR ceramic capacitors. Typical applications are cellular phone, laptop computer, personal digital assistant (PDA), personal stereo, camcorder and camera.

Features

- Stable with low ESR ceramic capacitors
- Ultra low dropout voltage (0.12 V typ. at 50 mA load, 7 mV typ. at 1 mA load)
- Very low quiescent current (80 μA typ. at no load in on mode; max 1 μA in off mode)
- Guaranteed output current up to 50 mA
- Logic-controlled electronic shutdown
- Output voltage of 1.8; 3.0; 3.3; 5.0 V
- Internal current and thermal limit
- $\pm 0.5\%$ Tolerance output voltage available (A version)
- Output low noise voltage 160 μVRMS
- Temperature range: -40 to 125 $^{\circ}\text{C}$
- Smallest package SOT23-5L
- Fast dynamic response to line and load changes

Table 1. Device summary

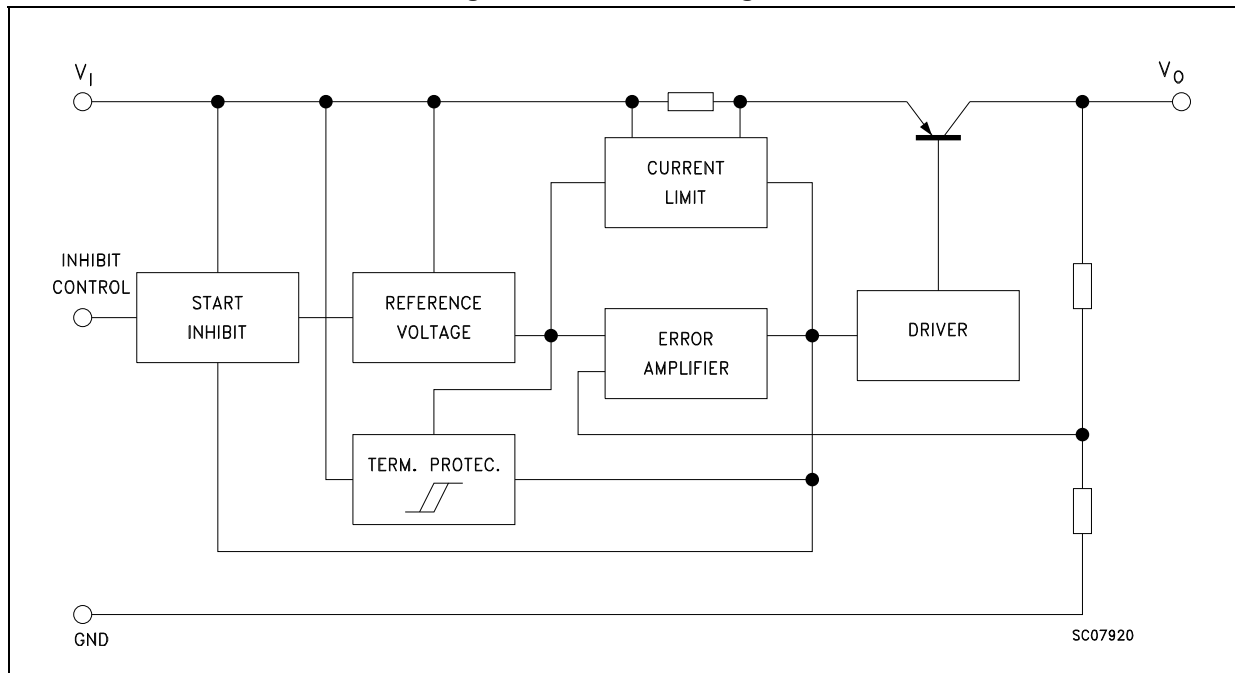
| Part numbers | | |
|---------------|--------------|----------------|
| AB version | C version | Output voltage |
| | LD2980CM18TR | 1.8 V |
| LD2980ABM30TR | | 3.0 V |
| LD2980ABM33TR | LD2980CM33TR | 3.3 V |
| LD2980ABM50TR | LD2980CM50TR | 5.0 V |

Contents

| | | |
|-----------|--|-----------|
| 1 | Diagram | 3 |
| 2 | Pin configuration | 4 |
| 3 | Maximum ratings | 5 |
| 4 | Typical application | 6 |
| 5 | Electrical characteristics | 7 |
| 6 | Typical performance characteristics | 11 |
| 7 | Application notes | 15 |
| | 7.1 External capacitors | 15 |
| | 7.2 Input capacitor | 15 |
| | 7.3 Output capacitor | 15 |
| | 7.4 Important | 15 |
| | 7.5 Inhibit input operation | 15 |
| | 7.6 Reverse current | 16 |
| 8 | Package mechanical data | 17 |
| 9 | Packaging mechanical data | 19 |
| 10 | Revision history | 21 |

1 Diagram

Figure 1. Schematic diagram



2 Pin configuration

Figure 2. Pin connections (top view)

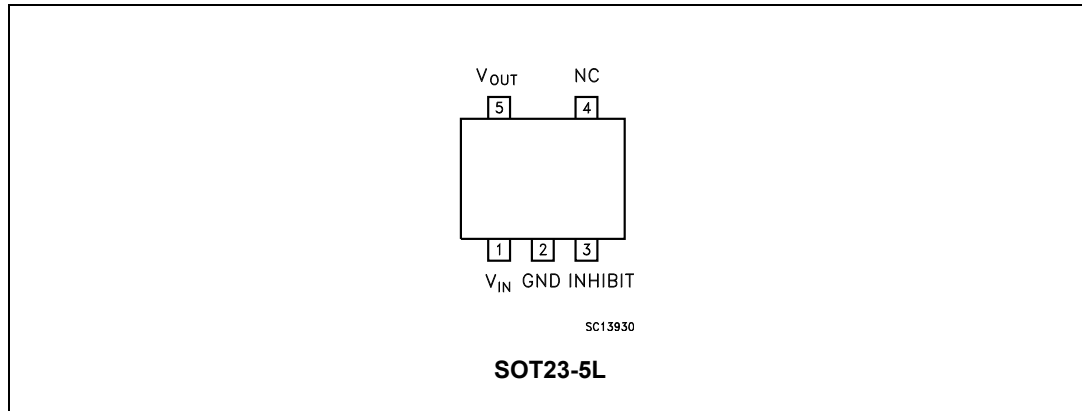


Table 2. Pin description

| Pin n° | Symbol | Name and function |
|--------|-----------|--|
| 1 | V_{IN} | Input port |
| 2 | GND | Ground pin |
| 3 | INHIBIT | Control switch ON/OFF. Inhibit is not internally pulled-up; it cannot be left floating. Disable the device when connected to GND or to a positive voltage less than 0.18 V |
| 4 | NC | Not connected |
| 5 | V_{OUT} | Output port |

Table 3. Thermal data

| Symbol | Parameter | Value | Unit |
|------------|-------------------------------------|-------|------|
| R_{thJC} | Thermal resistance junction-case | 81 | °C/W |
| R_{thJA} | Thermal resistance junction-ambient | 255 | °C/W |

3 Maximum ratings

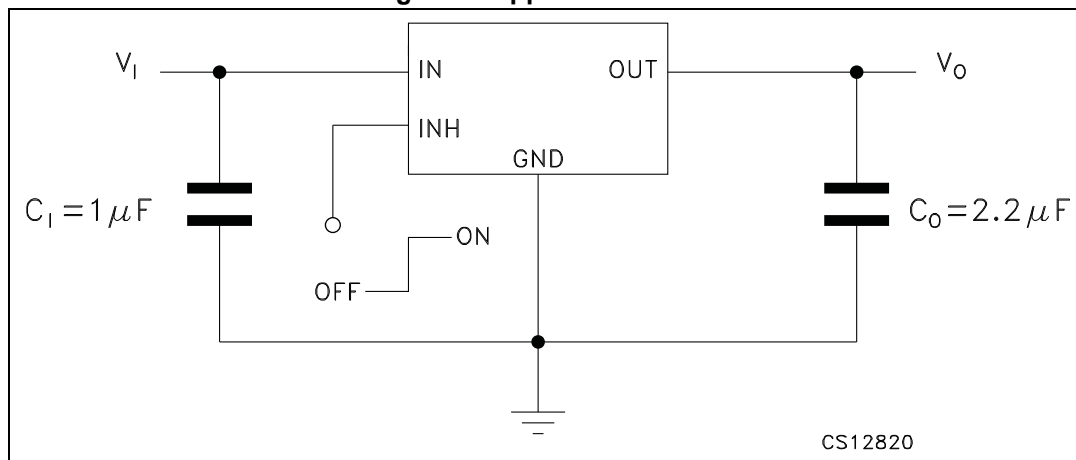
Table 4. Absolute maximum ratings

| Symbol | Parameter | Value | Unit |
|-----------|--------------------------------------|--------------------|------|
| V_I | DC input voltage | -0.3 to 16 | V |
| V_{INH} | INHIBIT input voltage | -0.3 to 16 | V |
| I_O | Output current | Internally limited | |
| P_D | Power dissipation | Internally limited | |
| T_{STG} | Storage temperature range | -55 to 150 | °C |
| T_{OP} | Operating junction temperature range | -40 to 125 | °C |

Note: Absolute maximum ratings are those values beyond which damage to the device may occur. Functional operation under these condition is not implied.

4 Typical application

Figure 3. Application circuit



Note: Inhibit pin is not internally pulled-up then it must not be left floating. Disable the device when connected to GND or to a positive voltage less than 0.18 V.

5 Electrical characteristics

($T_J = 25\text{ }^\circ\text{C}$, $V_I = V_{O(NOM)} + 1\text{ V}$, $C_I = 1\text{ }\mu\text{F}$, $C_O = 2.2\text{ }\mu\text{F}$, $I_O = 1\text{ mA}$, $V_{INH} = 2\text{ V}$, unless otherwise specified).

Table 5. Electrical characteristics for LD2980ABM

| Symbol | Parameter | Test conditions | Min. | Typ. | Max. | Unit |
|--------------|--------------------------------|--|-------|-------|-------|---------------|
| V_{OP} | Operating input voltage | | 2.5 | | 16 | V |
| V_O | Output voltage | $I_O = 1\text{ mA}$ | 2.985 | 3 | 3.015 | V |
| | | $I_O = 1\text{ to }50\text{ mA}$ | 2.978 | | 3.023 | |
| | | $I_O = 1\text{ to }50\text{ mA}$, $T_J = -40\text{ to }125\text{ }^\circ\text{C}$ | 2.925 | | 3.075 | |
| V_O | Output voltage | $I_O = 1\text{ mA}$ | 3.284 | 3.3 | 3.317 | V |
| | | $I_O = 1\text{ to }50\text{ mA}$ | 3.275 | | 3.325 | |
| | | $I_O = 1\text{ to }50\text{ mA}$, $T_J = -40\text{ to }125\text{ }^\circ\text{C}$ | 3.217 | | 3.383 | |
| V_O | Output voltage | $I_O = 1\text{ mA}$ | 4.975 | 5 | 5.025 | V |
| | | $I_O = 1\text{ to }50\text{ mA}$ | 4.963 | | 5.038 | |
| | | $I_O = 1\text{ to }50\text{ mA}$, $T_J = -40\text{ to }125\text{ }^\circ\text{C}$ | 4.875 | | 5.125 | |
| ΔV_O | Line regulation | $V_{O(NOM)} + 1 < V_{IN} < 16\text{ V}$, $I_O = 1\text{ mA}$ | | 0.003 | 0.014 | %V |
| | | $T_J = -40\text{ to }125\text{ }^\circ\text{C}$ | | | 0.032 | |
| I_Q | Quiescent current ON MODE | $I_O = 0$ | | 80 | 100 | μA |
| | | $I_O = 0$, $T_J = -40\text{ to }125\text{ }^\circ\text{C}$ | | | 150 | |
| | | $I_O = 1\text{ mA}$ | | 100 | 150 | |
| | | $I_O = 1\text{ mA}$, $T_J = -40\text{ to }125\text{ }^\circ\text{C}$ | | | 200 | |
| | | $I_O = 10\text{ mA}$ | | 175 | 250 | |
| | | $I_O = 10\text{ mA}$, $T_J = -40\text{ to }125\text{ }^\circ\text{C}$ | | | 450 | |
| | | $I_O = 50\text{ mA}$ | | 500 | 700 | |
| | | $I_O = 50\text{ mA}$, $T_J = -40\text{ to }125\text{ }^\circ\text{C}$ | | | 1200 | |
| | OFF MODE | $V_{INH} < 0.18\text{ V}$ | | 0 | | |
| | | $V_{INH} < 0.18\text{ V}$, $T_J = -40\text{ to }125\text{ }^\circ\text{C}$ | | | 1 | |
| V_{DROP} | Dropout voltage ⁽¹⁾ | $I_O = 0$ | | 1 | 3 | mV |
| | | $I_O = 0$, $T_J = -40\text{ to }125\text{ }^\circ\text{C}$ | | | 5 | |
| | | $I_O = 1\text{ mA}$ | | 7 | 10 | |
| | | $I_O = 1\text{ mA}$, $T_J = -40\text{ to }125\text{ }^\circ\text{C}$ | | | 15 | |
| | | $I_O = 10\text{ mA}$ | | 40 | 60 | |
| | | $I_O = 10\text{ mA}$, $T_J = -40\text{ to }125\text{ }^\circ\text{C}$ | | | 90 | |
| | | $I_O = 50\text{ mA}$ | | 120 | 150 | |
| | | $I_O = 50\text{ mA}$, $T_J = -40\text{ to }125\text{ }^\circ\text{C}$ | | | 225 | |

Table 5. Electrical characteristics for LD2980ABM (continued)

| Symbol | Parameter | Test conditions | Min. | Typ. | Max. | Unit |
|------------|--------------------------|--|------|------|------|---------------------|
| I_{SC} | Short circuit current | $R_L = 0$ | | 150 | | mA |
| SVR | Supply voltage rejection | $C_O = 10\mu F$, $f = 1\text{kHz}$ | | 63 | | dB |
| V_{INH} | Inhibit input logic low | LOW = Output OFF, $T_J = -40$ to 125°C | | 0.8 | 0.18 | V |
| V_{INL} | Inhibit input logic high | HIGH = Output ON, $T_J = -40$ to 125°C | 1.6 | 1.3 | | V |
| I_{INH} | Inhibit input current | $V_{INH} = 0\text{V}$, $T_J = -40$ to 125°C | | 0 | -1 | μA |
| | | $V_{INH} = 5\text{V}$, $T_J = -40$ to 125°C | | 5 | 15 | |
| e_N | Output noise voltage | $B_W = 300\text{ Hz to }50\text{ kHz}$, $C_O = 10\mu F$ | | 160 | | μV_{RMS} |
| T_{SHDN} | Thermal shutdown | | | 170 | | $^\circ\text{C}$ |

- For $V_O < 2.5\text{ V}$ dropout voltage can be calculated according to the minimum input voltage in full temperature range.

($T_J = 25\text{ }^\circ\text{C}$, $V_I = V_{O(NOM)} + 1\text{ V}$, $C_I = 1\text{ }\mu\text{F}$, $C_O = 2.2\text{ }\mu\text{F}$, $I_O = 1\text{ mA}$, $V_{INH} = 2\text{ V}$, unless otherwise specified).

Table 6. Electrical characteristics for LD2980CM

| Symbol | Parameter | Test conditions | Min. | Typ. | Max. | Unit |
|--------------|--------------------------------|--|-------|-------|-------|---------------|
| V_{OP} | Operating input voltage | | 2.5 | | 16 | V |
| V_O | Output voltage | $I_O = 1\text{ mA}$ | 1.782 | 1.8 | 1.818 | V |
| | | $I_O = 1\text{ to }50\text{ mA}$ | 1.773 | | 1.827 | |
| | | $I_O = 1\text{ to }50\text{ mA}$, $T_J = -40\text{ to }125\text{ }^\circ\text{C}$ | 1.737 | | 1.863 | |
| V_O | Output voltage | $I_O = 1\text{ mA}$ | 3.267 | 3.3 | 3.333 | V |
| | | $I_O = 1\text{ to }50\text{ mA}$ | 3.251 | | 3.35 | |
| | | $I_O = 1\text{ to }50\text{ mA}$, $T_J = -40\text{ to }125\text{ }^\circ\text{C}$ | 3.184 | | 3.415 | |
| V_O | Output voltage | $I_O = 1\text{ mA}$ | 4.95 | 5 | 5.05 | V |
| | | $I_O = 1\text{ to }50\text{ mA}$ | 4.925 | | 5.075 | |
| | | $I_O = 1\text{ to }50\text{ mA}$, $T_J = -40\text{ to }125\text{ }^\circ\text{C}$ | 4.825 | | 5.175 | |
| ΔV_O | Line regulation | $V_{O(NOM)} + 1 < V_{IN} < 16\text{ V}$, $I_O = 1\text{ mA}$ | | 0.003 | 0.014 | %V |
| | | $T_J = -40\text{ to }125\text{ }^\circ\text{C}$ | | | 0.032 | |
| I_Q | Quiescent current ON MODE | $I_O = 0$ | | 80 | 100 | μA |
| | | $I_O = 0$, $T_J = -40\text{ to }125\text{ }^\circ\text{C}$ | | | 150 | |
| | | $I_O = 1\text{ mA}$ | | 100 | 150 | |
| | | $I_O = 1\text{ mA}$, $T_J = -40\text{ to }125\text{ }^\circ\text{C}$ | | | 200 | |
| | | $I_O = 10\text{ mA}$ | | 175 | 250 | |
| | | $I_O = 10\text{ mA}$, $T_J = -40\text{ to }125\text{ }^\circ\text{C}$ | | | 450 | |
| | | $I_O = 50\text{ mA}$ | | 500 | 700 | |
| | | $I_O = 50\text{ mA}$, $T_J = -40\text{ to }125\text{ }^\circ\text{C}$ | | | 1200 | |
| | OFF MODE | $V_{INH} < 0.18\text{ V}$ | | 0 | | |
| | | $V_{INH} < 0.18\text{ V}$, $T_J = -40\text{ to }125\text{ }^\circ\text{C}$ | | | 1 | |
| V_{DROP} | Dropout voltage ⁽¹⁾ | $I_O = 0$ | | 1 | 3 | mV |
| | | $I_O = 0$, $T_J = -40\text{ to }125\text{ }^\circ\text{C}$ | | | 5 | |
| | | $I_O = 1\text{ mA}$ | | 7 | 10 | |
| | | $I_O = 1\text{ mA}$, $T_J = -40\text{ to }125\text{ }^\circ\text{C}$ | | | 15 | |
| | | $I_O = 10\text{ mA}$ | | 40 | 60 | |
| | | $I_O = 10\text{ mA}$, $T_J = -40\text{ to }125\text{ }^\circ\text{C}$ | | | 90 | |
| | | $I_O = 50\text{ mA}$ | | 120 | 150 | |
| | | $I_O = 50\text{ mA}$, $T_J = -40\text{ to }125\text{ }^\circ\text{C}$ | | | 225 | |
| I_{SC} | Short circuit current | $R_L = 0$ | | 150 | | mA |
| SVR | Supply voltage rejection | $C_O = 10\text{ }\mu\text{F}$, $f = 1\text{ kHz}$ | | 63 | | dB |

Table 6. Electrical characteristics for LD2980CM (continued)

| Symbol | Parameter | Test conditions | Min. | Typ. | Max. | Unit |
|-------------------|--------------------------|---|------|------|------|----------------------------|
| V_{INH} | Inhibit input logic low | LOW = Output OFF, $T_J = -40$ to 125°C | | 0.8 | 0.18 | V |
| V_{INL} | Inhibit input logic high | HIGH = Output ON, $T_J = -40$ to 125°C | 1.6 | 1.3 | | V |
| I_{INH} | Inhibit input current | $V_{INH} = 0\text{V}$, $T_J = -40$ to 125°C | | 0 | -1 | μF |
| | | $V_{INH} = 5\text{V}$, $T_J = -40$ to 125°C | | 5 | 15 | |
| e_N | Output noise voltage | $B_W = 300\text{ Hz to } 50\text{ kHz}$, $C_O = 10\mu\text{F}$ | | 160 | | μV_{RMS} |
| T_{SHDN} | Thermal shutdown | | | 170 | | $^\circ\text{C}$ |

- For $V_O < 2.5\text{ V}$ dropout voltage can be calculated according to the minimum input voltage in full temperature range.

6 Typical performance characteristics

($T_J = 25\text{ }^\circ\text{C}$, $V_I = V_{O(NOM)} + 1\text{ V}$, $C_I = 1\text{ }\mu\text{F}$, $C_O = 2.2\text{ }\mu\text{F}$, $V_{INH} = 2\text{ V}$, unless otherwise specified)

Figure 4. Output voltage vs temperature

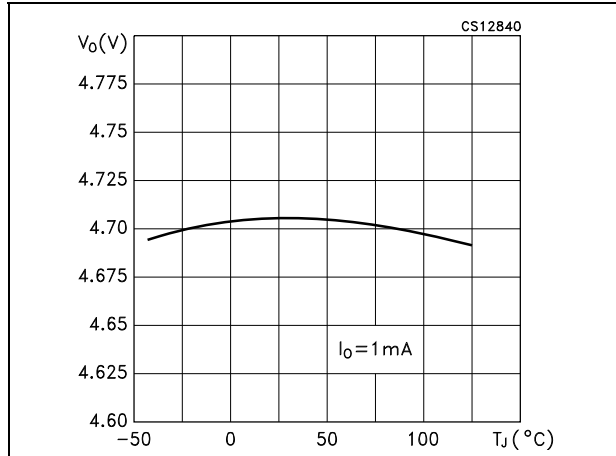


Figure 5. Output voltage vs temperature

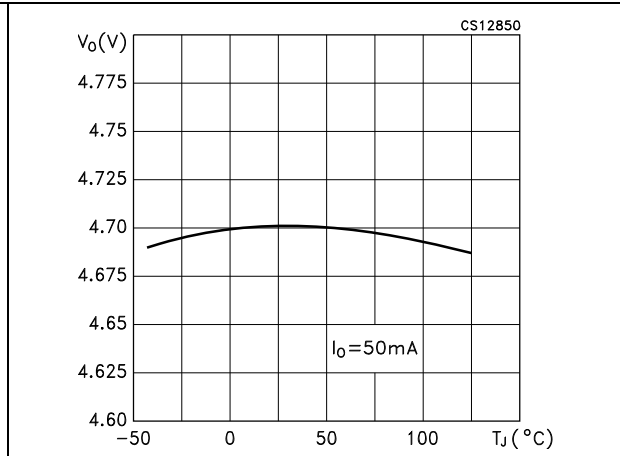


Figure 6. Line regulation vs temperature

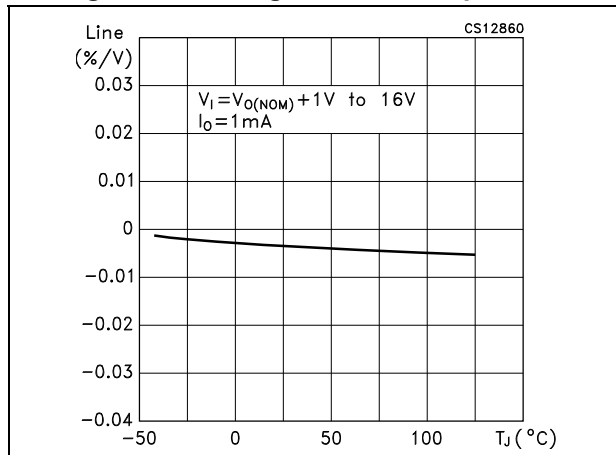


Figure 7. Load regulation vs temperature

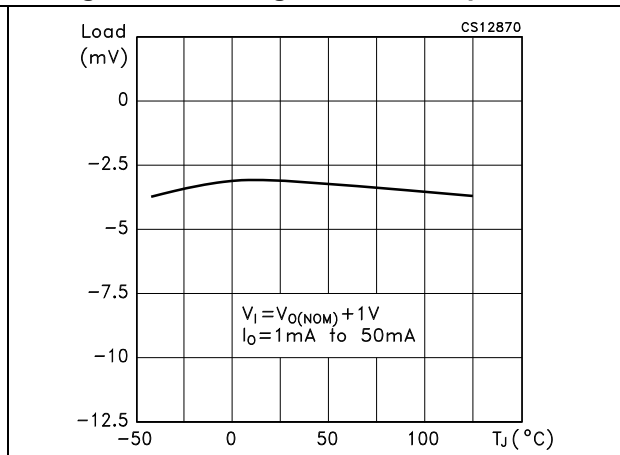


Figure 8. Dropout voltage vs temperature

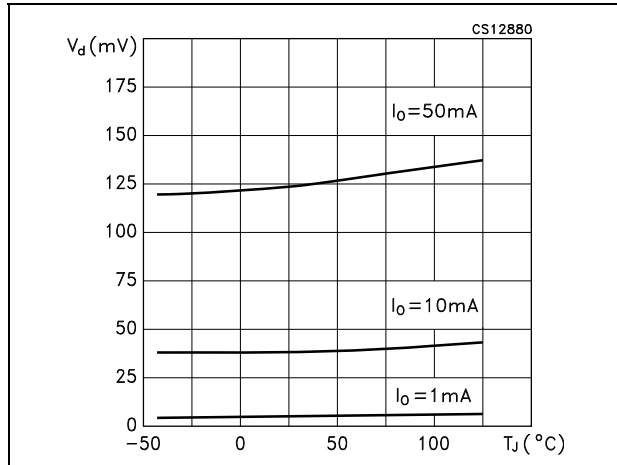


Figure 9. Quiescent current vs temperature

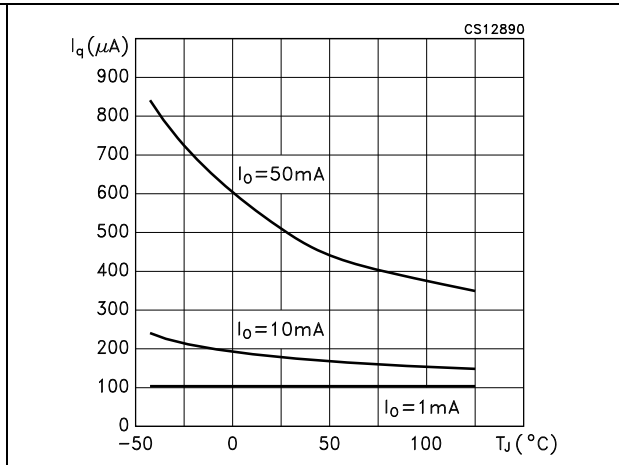


Figure 10. Quiescent current vs output current

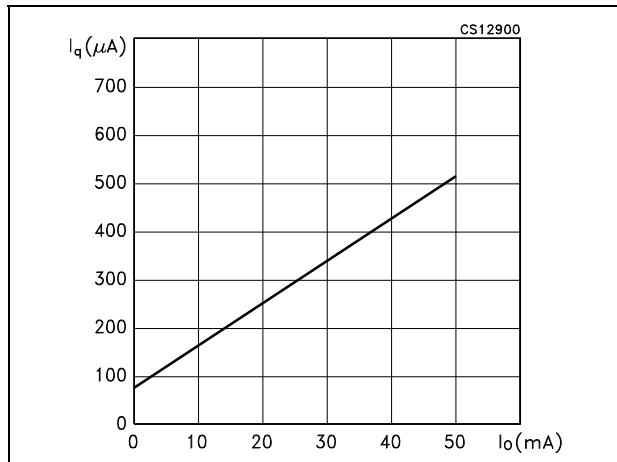


Figure 11. Off mode quiescent current vs temperature

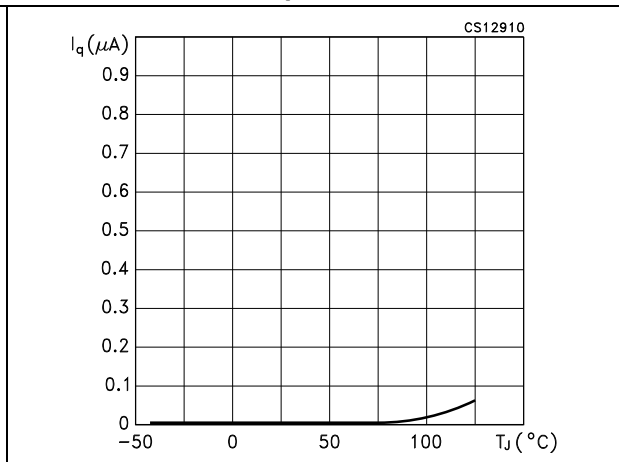


Figure 12. Quiescent current vs input voltage

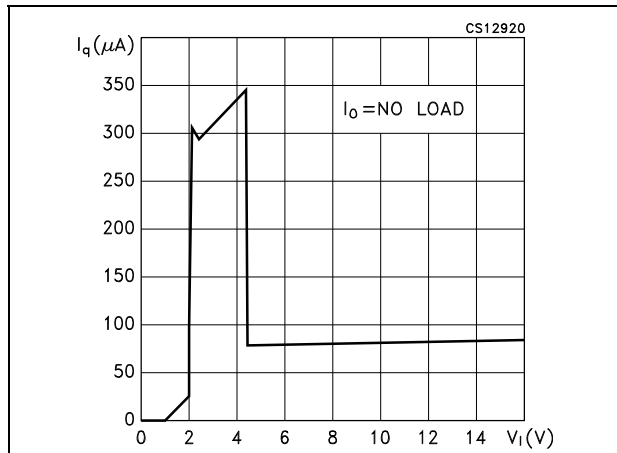


Figure 13. Dropout voltage vs output current

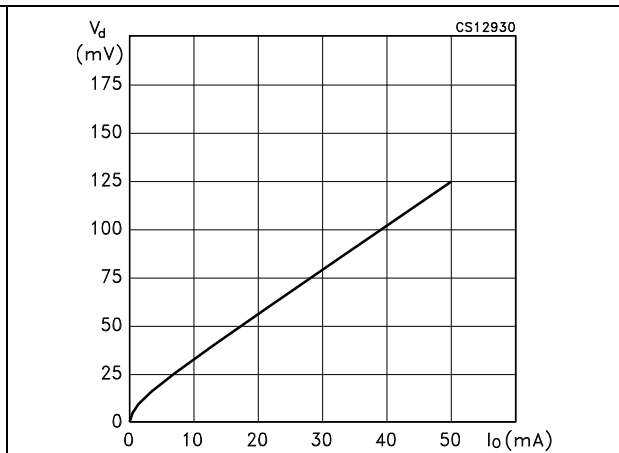


Figure 14. Inhibit input current vs temperature

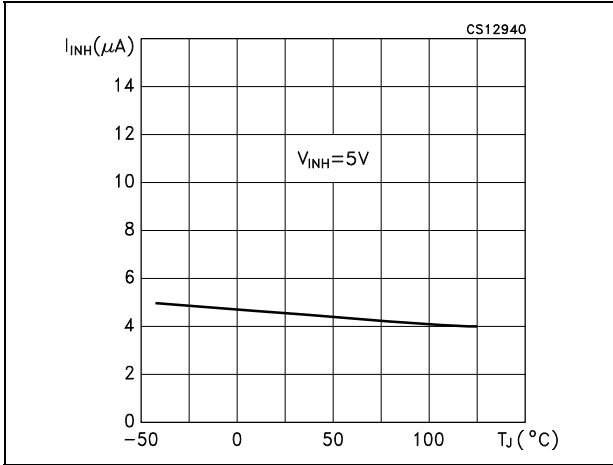


Figure 15. Inhibit voltage vs temperature

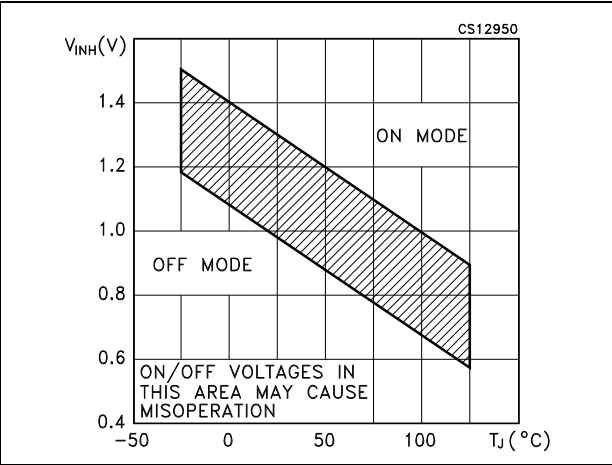


Figure 16. Supply voltage rejection vs frequency

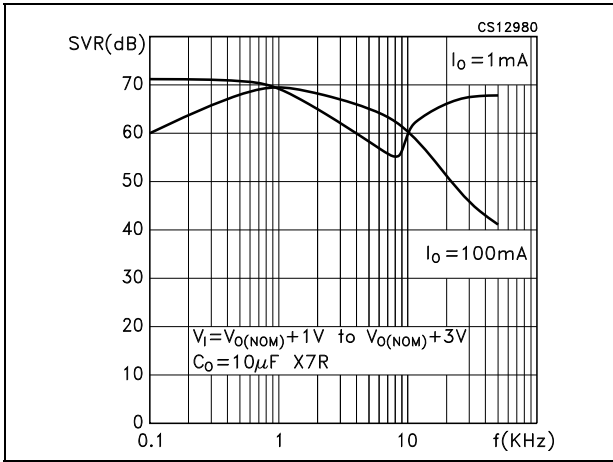


Figure 17. Noise voltage vs frequency

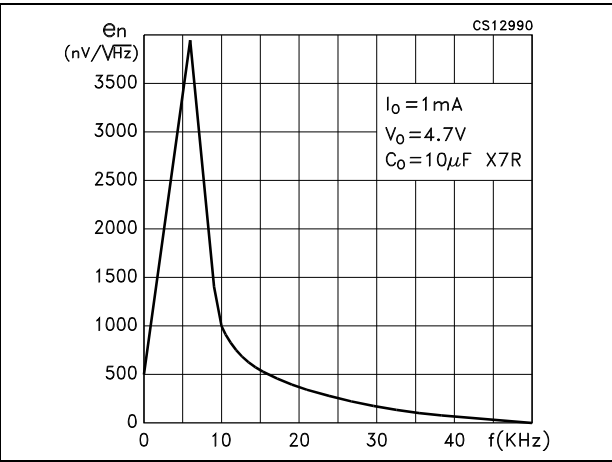


Figure 18. Best case: highest output version

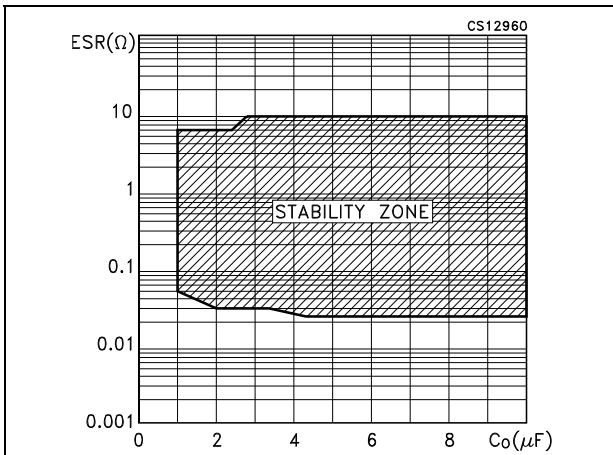


Figure 19. Worst case: lowest output version

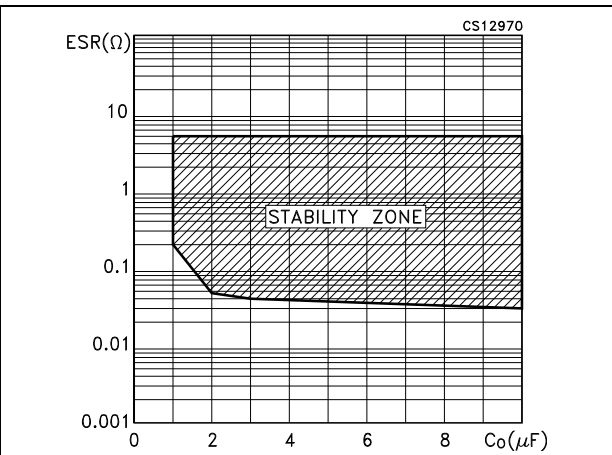


Figure 20. Load transient response

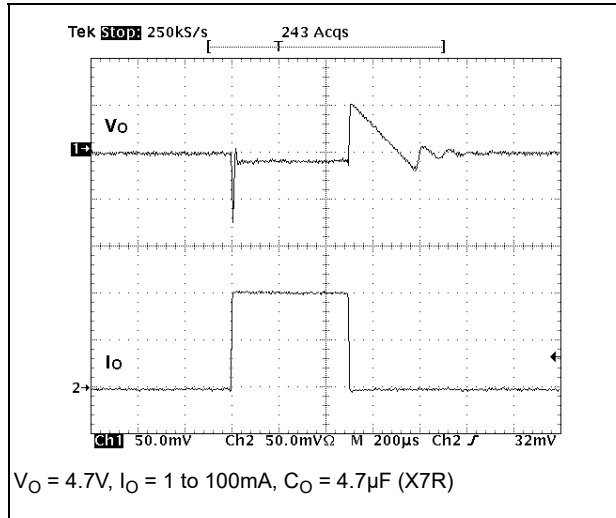
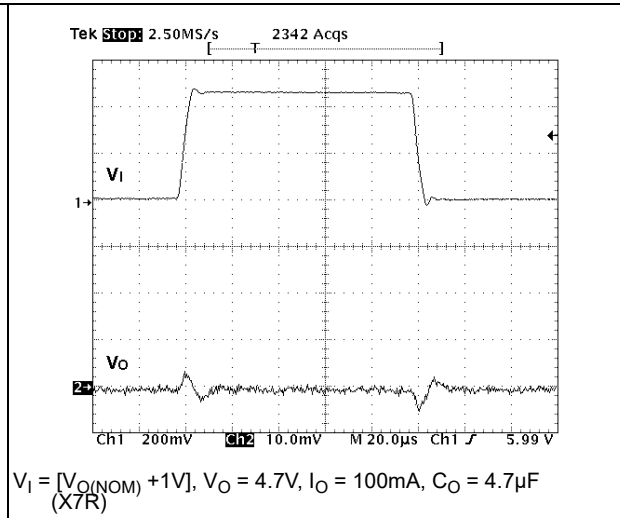


Figure 21. Line transient response



7 Application notes

7.1 External capacitors

Like any low-dropout regulator, the LD2980 requires external capacitors for regulator stability. This capacitor must be selected to meet the requirements of minimum capacitance and equivalent series resistance (please refer to [Figure 18](#) and [Figure 19](#)). We suggest to solder input and output capacitors as close as possible to the relative pins.

7.2 Input capacitor

An input capacitor whose value is 1 μF is required with the LD2980 (amount of capacitance can be increased without limit). This capacitor must be located a distance of not more than 0.5" from the input pin of the device and returned to a clean analog ground. Any good quality ceramic, tantalum or film capacitors can be used for this capacitor.

7.3 Output capacitor

The LD2980 is designed specifically to work with ceramic output capacitors. It may also be possible to use Tantalum capacitors, but these are not as attractive for reasons of size and cost. By the way, the output capacitor must meet both the requirement for minimum amount of capacitance and ESR (equivalent series resistance) value. The [Figure 18](#) and [Figure 19](#) show the allowable ESR range as a function of the output capacitance. These curves represent the stability region over the full temperature and I_O range. Due to the different loop gain, the stability improves for higher output versions and so the suggested minimum output capacitor value, if low ESR ceramic type is used, is 1 μF for output voltages equal or major than 3.8 V, 2.2 μF for output voltages from 2.85 to 3.3 V, and 3.3 μF for the other versions. However, if an output capacitor lower than the suggested one is used, it's possible to make stable the regulator adding a resistor in series to the capacitor (see [Figure 18](#) and [Figure 19](#) to choose the right value according to the used version and keeping in account that the ESR of ceramic capacitors has been measured @ 100 kHz).

7.4 Important

The output capacitor must maintain its ESR in the stable region over the full operating temperature to assure stability. Also, capacitor tolerance and variation with temperature must be considered to assure the minimum amount of capacitance is provided at all times. This capacitor should be located not more than 0.5" from the output pin of the device and returned to a clean analog ground.

7.5 Inhibit input operation

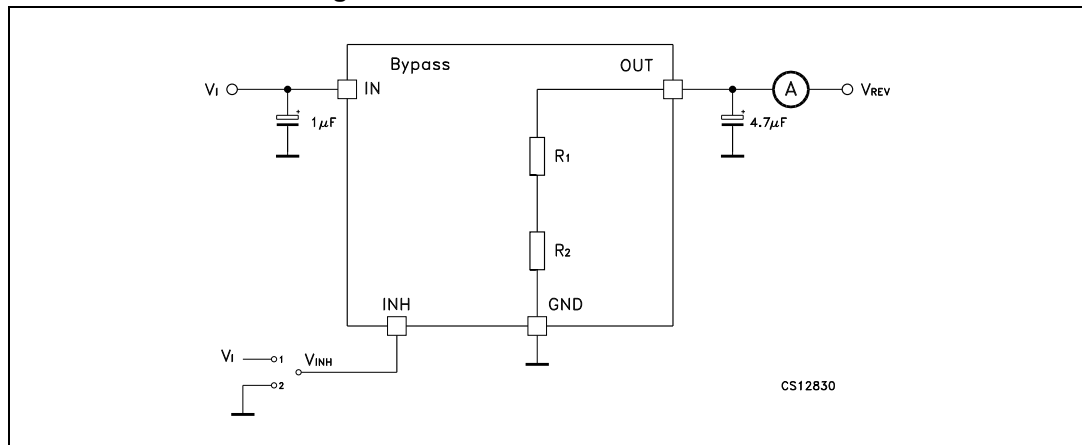
The inhibit pin can be used to turn OFF the regulator when pulled low, so drastically reducing the current consumption down to less than 1 μA . When the inhibit feature is not used, this pin must be tied to V_I to keep the regulator output ON at all times. To assure proper operation, the signal source used to drive the inhibit pin must be able to swing above

and below the specified thresholds listed in the electrical characteristics section under V_{IH} V_{IL} . Any slew rate can be used to drive the inhibit.

7.6 Reverse current

The power transistor used in the LD2980 has not an inherent diode connected between the regulator input and output. If the output is forced above the input, no current will flow from the output to the input across the series pass transistor. When a V_{REV} voltage is applied on the output, the reverse current measured, according to the test circuit in [Figure 22](#), flows to the GND across the two feedback resistors. This current typical value is 160 μA . R_1 and R_2 resistors are implanted type; typical values are, respectively, 42.6 k Ω and 51.150 k Ω .

Figure 22. Reverse current test circuit



8 Package mechanical data

In order to meet environmental requirements, ST offers these devices in different grades of ECOPACK packages, depending on their level of environmental compliance. ECOPACK specifications, grade definitions and product status are available at: www.st.com. ECOPACK is an ST trademark.

Table 7. SOT23-5L mechanical data

| Dim. | mm | | |
|----------|------|------|------|
| | Min. | Typ. | Max. |
| A | 0.90 | | 1.45 |
| A1 | 0 | | 0.15 |
| A2 | 0.90 | | 1.30 |
| b | 0.30 | | 0.50 |
| c | 2.09 | | 0.20 |
| D | | 2.95 | |
| E | | 1.60 | |
| e | | 0.95 | |
| H | | 2.80 | |
| L | 0.30 | | 0.60 |
| θ | 0 | | 8 |

Figure 23. SOT23-5L mechanical drawing

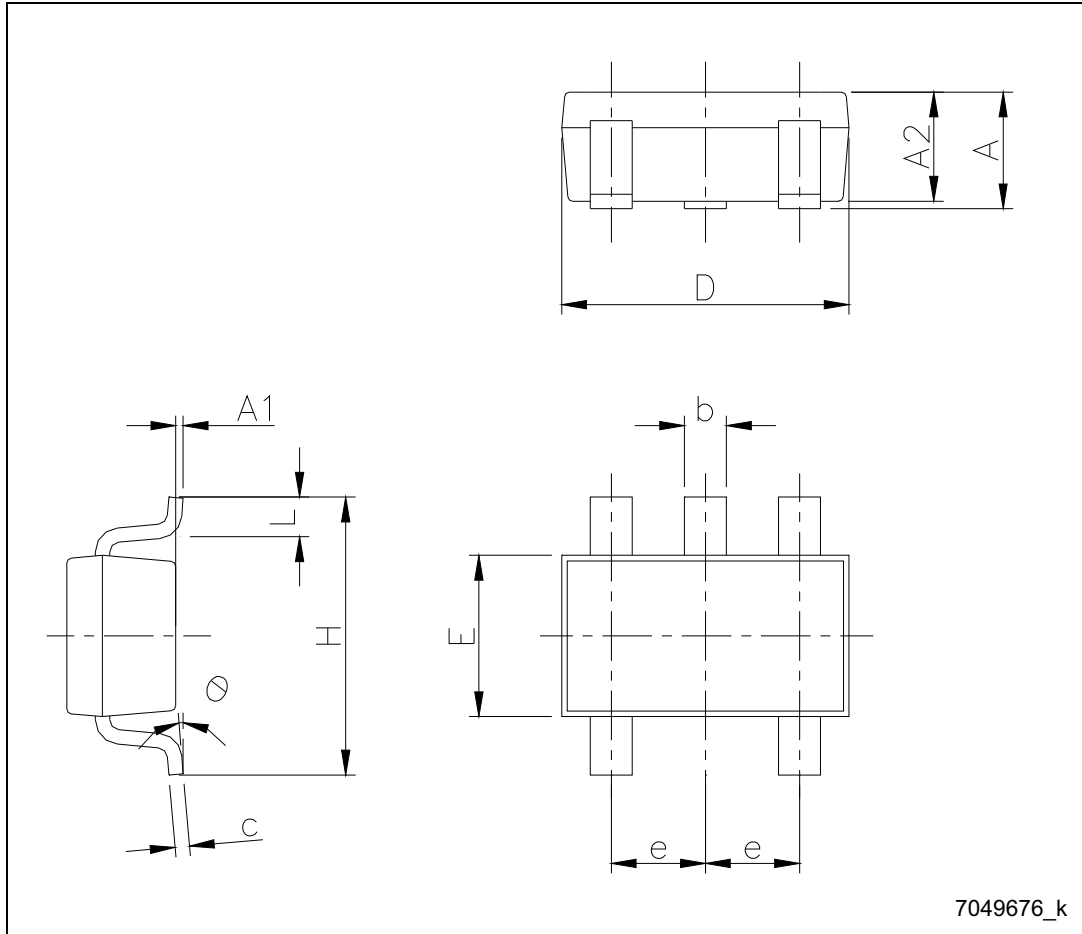
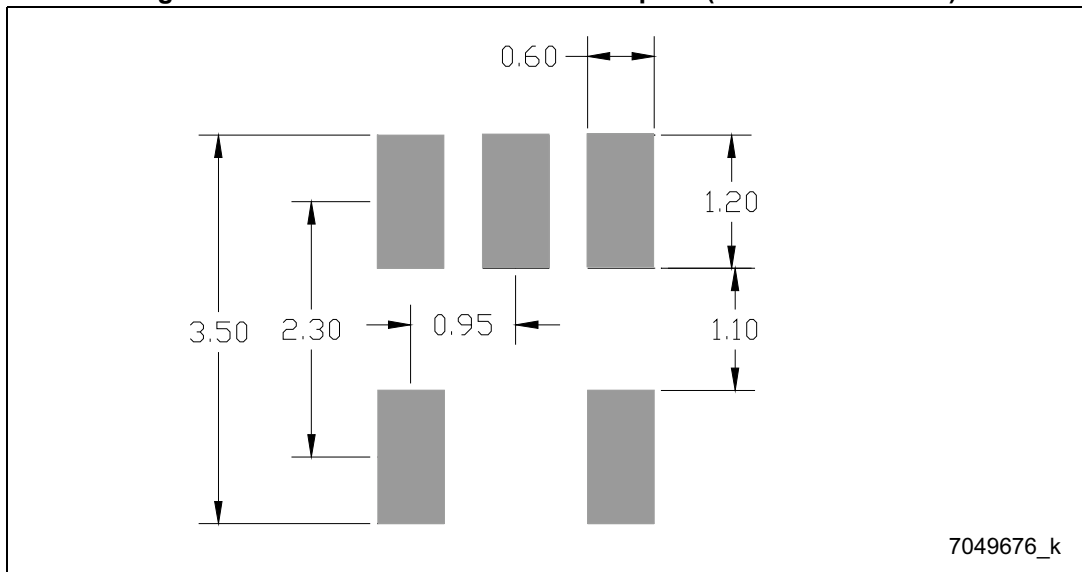


Figure 24. SOT23-5L recommended footprint (dimensions in mm)



9 Packaging mechanical data

Figure 25. SOT23-5L reel mechanical drawing

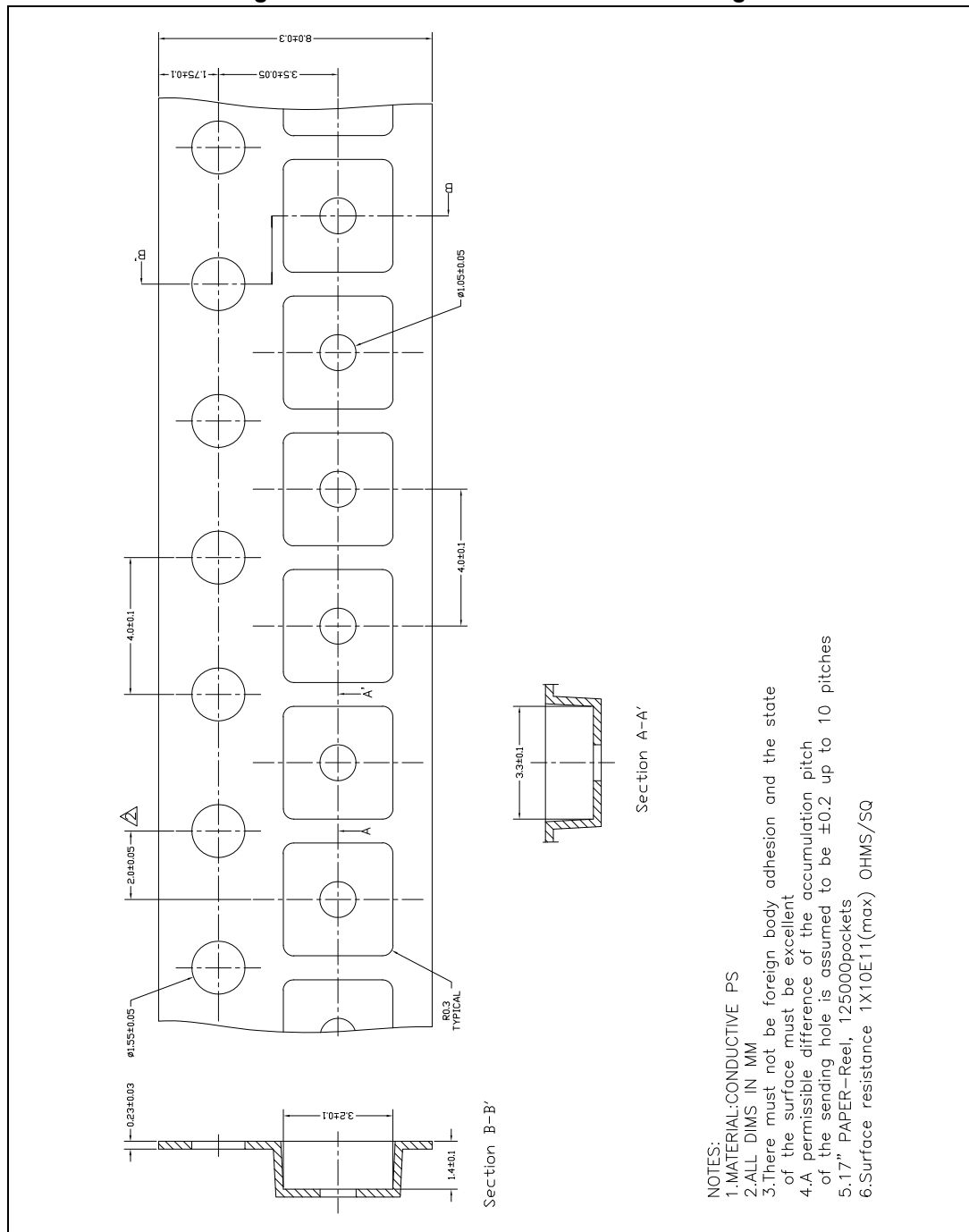


Figure 26. SOT23-5L oriented tape outline

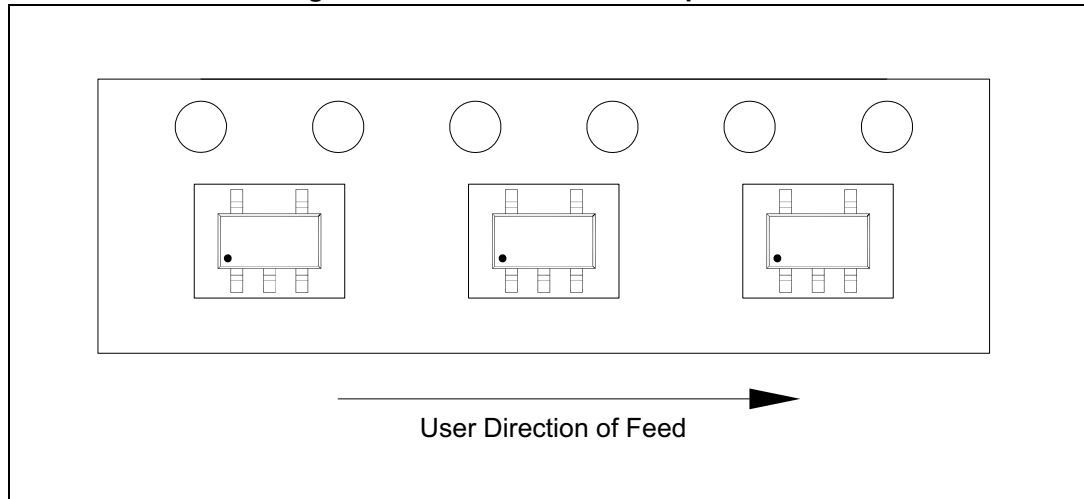


Figure 27. SOT23-5L reel outline

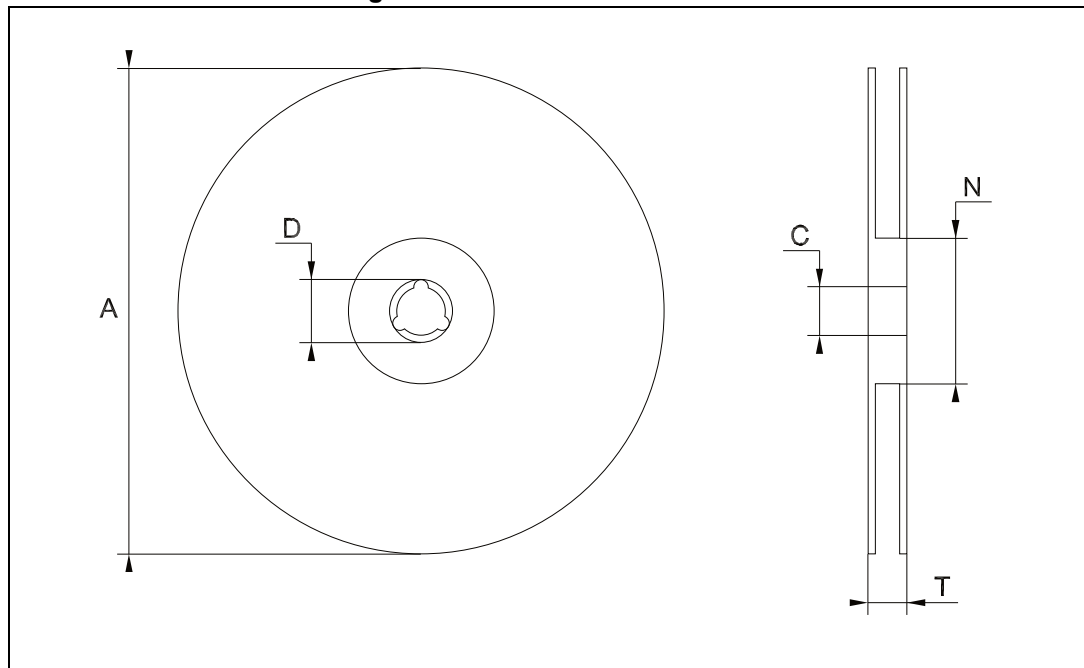


Table 8. SOT23-5L reel mechanical data

| Symbol | Dimensions (mm) | | |
|--------|-----------------|------|------|
| | Min. | Typ. | Max. |
| A | - | - | 180 |
| C | 12.8 | 13.0 | 13.2 |
| D | 20.2 | - | - |
| N | 60 | - | - |
| T | - | - | 14.4 |

10 Revision history

Table 9. Document revision history

| Date | Revision | Changes |
|-------------|----------|--|
| 03-Jul-2006 | 13 | Order codes updated and new template. |
| 13-Nov-2006 | 14 | Add part number LD2980ABU18TR. |
| 06-Sep-2007 | 15 | Add Table 1 on page 1. |
| 14-Feb-2008 | 16 | Modified: Table 1 on page 1. |
| 11-Jul-2008 | 17 | Modified: Table 1 on page 1. |
| 06-Nov-2013 | 18 | Document name changed from LD2980ABxx and LD2980Cxx to LD2980. Updated Table 1: Device summary, Table 5: Electrical characteristics for LD2980ABM, Table 6: Electrical characteristics for LD2980CM and Section 8: Package information. Added Section 9: Packaging information. Minor text changes in title, in features and description in cover page. |
| 30-Aug-2017 | 19 | Removed 5.0 V versions of device (updated Features, Table 1: Device summary, Table 5: Electrical characteristics for LD2980ABM, and Table 6: Electrical characteristics for LD2980C. Minor textual updates. |
| 07-Dec-2017 | 20 | Updated Table 1: Device summary on the cover page. |
| 11-Nov-2019 | 21 | Updated Figure 25: SOT23-5L reel mechanical drawing added Figure 26: SOT23-5L oriented tape outline . |