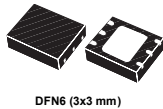



Automotive grade 1 A, low quiescent current, low-noise voltage regulator



DFN6 (3x3 mm)

Features

- AEC-Q100 qualified 
- Input voltage from 1.5 to 5.5 V
- Ultra-low dropout voltage (200 mV typ. at 1 A load)
- Very low quiescent current (20 μ A typ. at no load, 200 μ A typ. at 1 A load, 1 μ A max. in off mode)
- Very low-noise with no bypass capacitor (30 μ V_{RMS} at V_{OUT} = 0.8 V)
- Output voltage tolerance: \pm 2.0% at 25 °C
- 1 A guaranteed output current
- Wide range of output voltages available on request: 0.8 V to 4.5 V with 100 mV step and adjustable from 0.8
- Logic-controlled electronic shutdown
- Stable with ceramic capacitors C_{OUT} = 1 μ F
- Internal current and thermal limit
- DFN6 (3x3 mm) package
- Temperature range: -40 °C to 125 °C

Applications

- Printers
- Game consoles
- Computer
- Consumer applications
- Automotive post regulation

Maturity status link

LD39100

Description

The **LD39100** provides 1 A maximum current with an input voltage range from 1.5 V to 5.5 V and a typical dropout voltage of 200 mV. The device is stable with ceramic capacitors on the input and output.

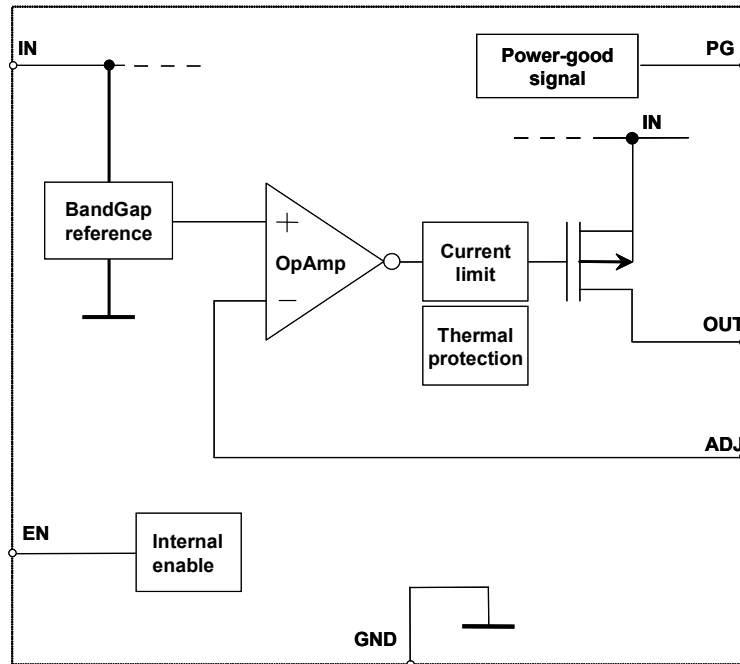
The ultra-low dropout voltage, low quiescent current and low-noise features make it suitable for low power battery-powered applications. Power supply rejection is 70 dB at low frequency and starts to roll off at 10 kHz.

Enable logic control function puts the **LD39100** in shutdown mode, allowing a total current consumption lower than 1 μ A. The device also includes short-circuit constant current limiting and thermal protection.

LD39100 is available also in AEC-Q100 qualified version, in the DFN6 (3x3 mm) with wettable flank package.

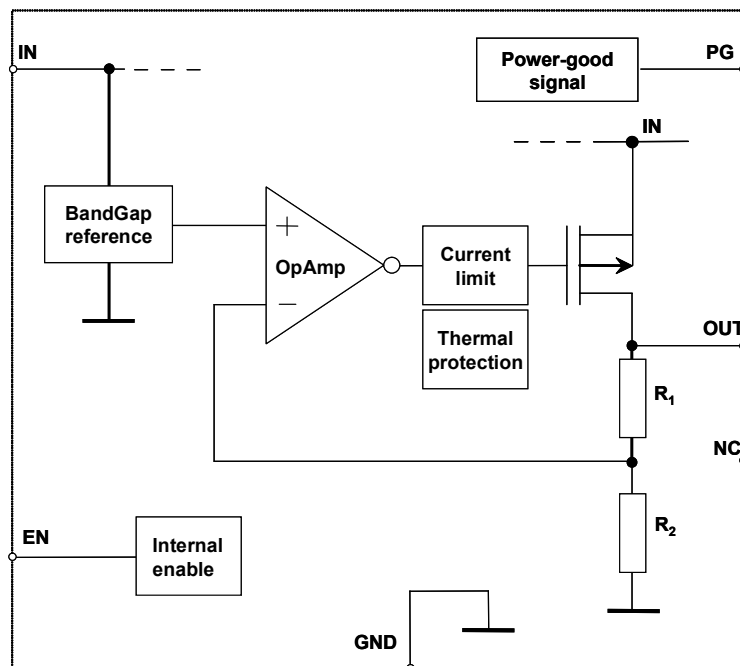
1 Circuit schematics

Figure 1. LD39100 schematic diagram (adjustable version)



GIPD010920151332MT

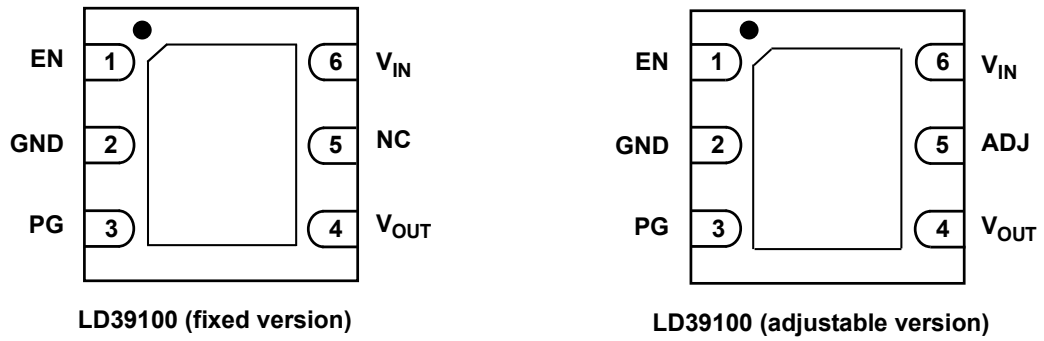
Figure 2. LD39100 schematic diagram (fixed version)



GIPD010920151333MT

2 Pin configuration

Figure 3. Pin connection (top view)



GIPD010920151334MT

Table 1. Pin description

Symbol	Pin		Function
	LD39100 (adjustable version)	LD39100 (fixed version)	
EN	1	1	Enable pin logic input: low = shutdown, high = active
GND	2	2	Common ground
PG	3	3	Power Good
V _{OUT}	4	4	Output voltage
ADJ	5	-	Adjust pin
V _{IN}	6	6	LDO input voltage
NC	-	5	Not connected
GND	Exposed pad		Exposed pad has to be connected to GND

3 Maximum ratings

Table 2. Absolute maximum ratings

Symbol	Parameter	Value	Unit
V_{IN}	DC input voltage	-0.3 to 7	V
V_{OUT}	DC output voltage	-0.3 to $V_{IN} + 0.3$ (7 V max.)	V
EN	Enable pin	-0.3 to 7	V
PG	Power Good pin	-0.3 to 7	V
ADJ	Adjust pin	4	V
I_{OUT}	Output current	Internally limited	
P_D	Power dissipation	Internally limited	
T_{STG}	Storage temperature range	- 65 to 150	°C
T_{OP}	Operating junction temperature range	- 40 to 125	°C

Note: Absolute maximum ratings are those values beyond which damage to the device may occur. Functional operation under these conditions is not implied. All values are referred to GND.

Table 3. Thermal data

Symbol	Parameter	Value	Unit
R_{thJA}	Thermal resistance junction-ambient	55	°C/W
R_{thJC}	Thermal resistance junction-case	10	°C/W

Table 4. ESD performance

Symbol	Parameter	Test conditions	Value	Unit
ESD	ESD protection voltage	HBM	4	kV
		MM	0.4	kV

4 Electrical characteristics

Table 5. LD39100 electrical characteristics (adjustable version) $T_J = 25\text{ °C}$, $V_{IN} = 1.8\text{ V}$, $C_{IN} = C_{OUT} = 1\text{ }\mu\text{F}$, $I_{OUT} = 100\text{ mA}$, $V_{EN} = V_{IN}$, unless otherwise specified

Symbol	Parameter	Test conditions	Min.	Typ.	Max.	Unit
V_{IN}	Operating input voltage		1.5		5.5	V
V_{ADJ}	V_{ADJ} accuracy	$I_{OUT} = 10\text{ mA}$ $T_J = 25\text{ °C}$	784	800	816	mV
		$I_{OUT} = 10\text{ mA}$ $-40\text{ °C} < T_J < 125\text{ °C}$	776	800	824	
I_{ADJ}	Adjust pin current				1	μA
ΔV_{OUT}	Static line regulation	$V_{OUT} + 1\text{ V} \leq V_{IN} \leq 5.5\text{ V}$ $I_{OUT} = 100\text{ mA}$		0.01		%/V
ΔV_{OUT}	Transient line regulation	$\Delta V_{IN} = 500\text{ mV}$ $I_{OUT} = 100\text{ mA}$ $t_R = 5\text{ }\mu\text{s}$		10		mVpp
		$\Delta V_{IN} = 500\text{ mV}$ $I_{OUT} = 100\text{ mA}$ $t_F = 5\text{ }\mu\text{s}$		10		
ΔV_{OUT}	Static load regulation	$I_{OUT} = 10\text{ mA to } 1\text{ A}$		0.002		%/mA
ΔV_{OUT}	Transient load regulation	$I_{OUT} = 10\text{ mA to } 1\text{ A}$ $t_R = 5\text{ }\mu\text{s}$		40		mVpp
		$I_{OUT} = 1\text{ A to } 10\text{ mA}$ $t_F = 5\text{ }\mu\text{s}$		40		
V_{DROP}	Dropout voltage ⁽²⁾	$I_{OUT} = 1\text{ A } V_O \text{ fixed to } 1.5\text{ V}$ $-40\text{ °C} < T_J < 125\text{ °C}$		200	400	mV
e_N	Output noise voltage	10 Hz to 100 kHz $I_{OUT} = 100\text{ mA}$ $V_{OUT} = 0.8\text{ V}$		30		μV_{RMS}
SVR	Supply voltage rejection $V_O = 0.8\text{ V}$	$V_{IN} = 1.8\text{ V} \pm V_{RIPPLE}$ $V_{RIPPLE} = 0.25\text{ V}$ frequency = 1 kHz $I_{OUT} = 10\text{ mA}$		70		dB
		$V_{IN} = 1.8\text{ V} \pm V_{RIPPLE}$ $V_{RIPPLE} = 0.25\text{ V}$ frequency = 10 kHz $I_{OUT} = 100\text{ mA}$		65		
I_Q	Quiescent current	$I_{OUT} = 0\text{ mA}$		20		μA
		$I_{OUT} = 0\text{ mA}$ $-40\text{ °C} < T_J < 125\text{ °C}$			50	
		$I_{OUT} = 0\text{ to } 1\text{ A}$		200		

Symbol	Parameter	Test conditions	Min.	Typ.	Max.	Unit
I _Q	Quiescent current	I _{OUT} = 0 to 1 A -40 °C < T _J < 125 °C			300	μA
		V _{IN} input current in off mode: V _{EN} = GND ⁽³⁾		0.001	1	
PG	Power good output threshold	Rising edge		0.92* V _{OUT}		V
		Falling edge		0.8* V _{OUT}		
	Power good output voltage low	I _{sink} = 6 mA open drain output			0.4	V
I _{SC}	Short-circuit current	R _L = 0		2.5		A
V _{EN}	Enable input logic low	V _{IN} = 1.5 V to 5.5 V			0.4	V
	Enable input logic high	-40 °C < T _J < 125 °C	0.9			V
I _{EN}	Enable pin input current	V _{EN} = V _{IN}		0.1	100	nA
t _{ON}	Turn-on time ⁽⁴⁾			30		μs
T _{SHDN}	Thermal shutdown			160		°C
	Hysteresis			20		
C _{OUT}	Output capacitor	Capacitance (see Section 5)	1			μF

1. All transient values are guaranteed by design, not tested in production.
2. Dropout voltage is the input-to-output voltage difference at which the output voltage is 100 mV below its nominal value. This specification does not apply to output voltages below 1.5 V.
3. PG pin floating.
4. Turn-on time is time measured between the enable input just exceeding V_{EN} high value and the output voltage just reaching 95% of its nominal value.

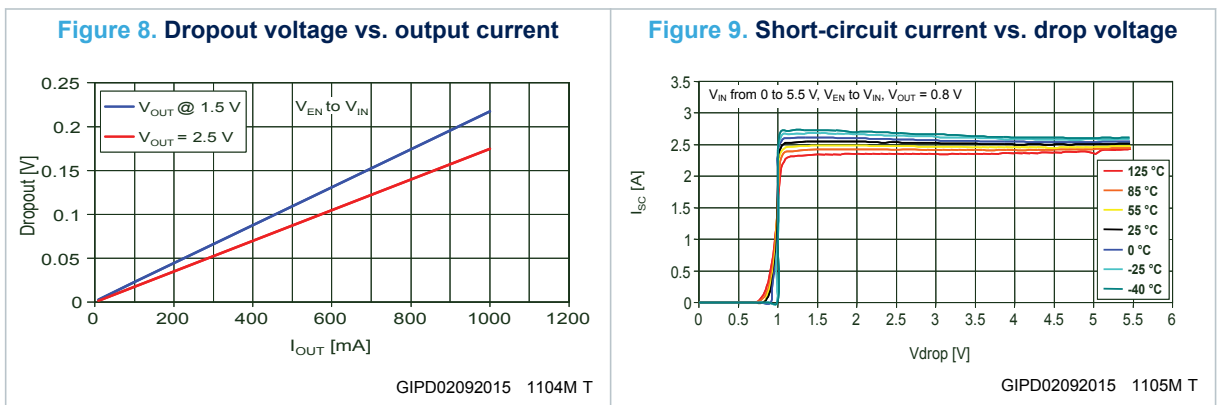
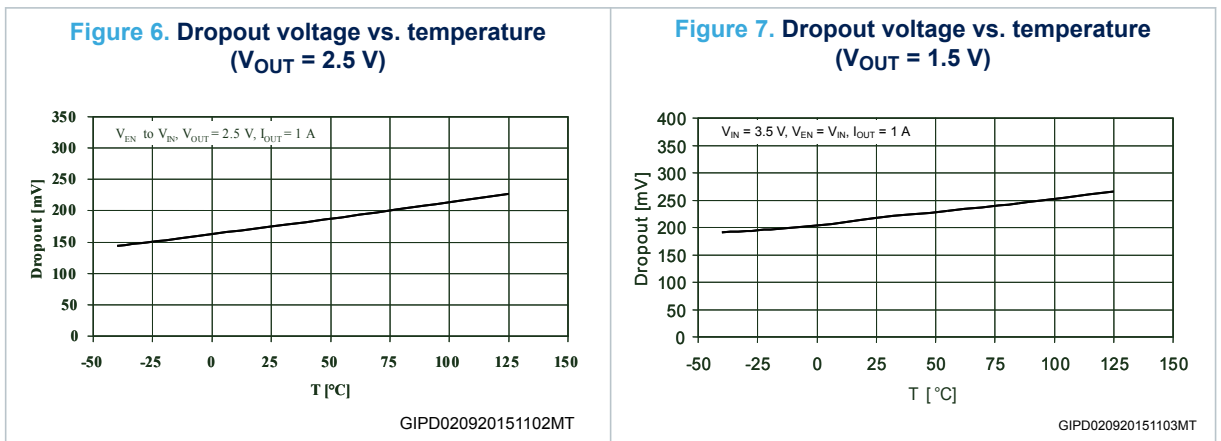
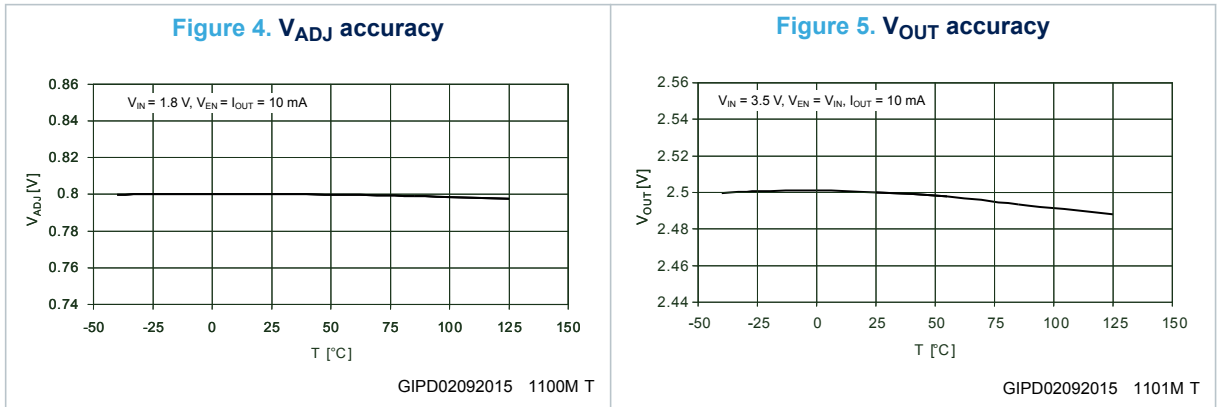
Table 6. LD39100 electrical characteristics (fixed version) $T_J = 25\text{ }^\circ\text{C}$, $V_{IN} = V_{OUT(NOM)} + 1\text{ V}$, $C_{IN} = C_{OUT} = 1\text{ }\mu\text{F}$, $I_{OUT} = 100\text{ mA}$, $V_{EN} = V_{IN}$, unless otherwise specified

Symbol	Parameter	Test conditions	Min.	Typ.	Max.	Unit
V_I	Operating input voltage		1.5		5.5	V
V_{OUT}	V_{OUT} accuracy	$V_{OUT} > 1.5\text{ V}$, $I_{OUT} = 10\text{ mA}$ $T_J = 25\text{ }^\circ\text{C}$	-2.0		2.0	%
		$V_{OUT} > 1.5\text{ V}$, $I_{OUT} = 10\text{ mA}$ $-40\text{ }^\circ\text{C} < T_J < 125\text{ }^\circ\text{C}$	-3.0		3.0	
		$V_{OUT} \leq 1.5\text{ V}$, $I_{OUT} = 10\text{ mA}$		± 20		mV
		$V_{OUT} \leq 1.5\text{ V}$, $I_{OUT} = 10\text{ mA}$ $-40\text{ }^\circ\text{C} < T_J < 125\text{ }^\circ\text{C}$		± 30		
ΔV_{OUT}	Static line regulation	$V_{OUT} + 1\text{ V} \leq V_{IN} \leq 5.5\text{ V}$ $I_{OUT} = 100\text{ mA}$		0.01		%/V
ΔV_{OUT}	Transient line regulation (1)	$\Delta V_{IN} = 500\text{ mV}$ $I_{OUT} = 100\text{ mA}$, $t_R = 5\text{ }\mu\text{s}$		10		mVpp
		$\Delta V_{IN} = 500\text{ mV}$ $I_{OUT} = 100\text{ mA}$, $t_F = 5\text{ }\mu\text{s}$		10		
ΔV_{OUT}	Static load regulation	$I_{OUT} = 10\text{ mA}$ to 1 A		0.002		%/mA
ΔV_{OUT}	Transient load regulation	$I_{OUT} = 10\text{ mA}$ to 1 A $t_R = 5\text{ }\mu\text{s}$		40		mVpp
		$I_{OUT} = 1\text{ A}$ to 10 mA $t_F = 5\text{ }\mu\text{s}$		40		
V_{DROP}	Dropout voltage (2)	$I_{OUT} = 1\text{ A}$ $V_{OUT} > 1.5\text{ V}$ $-40\text{ }^\circ\text{C} < T_J < 125\text{ }^\circ\text{C}$		200	400	mV
e_N	Output noise voltage	10 Hz to 100 kHz $I_{OUT} = 100\text{ mA}$ $V_{OUT} = 2.5\text{ V}$		85		μV_{RMS}
SVR	Supply voltage rejection $V_{OUT} = 1.5\text{ V}$	$V_{IN} = V_{OUT(NOM)} + 0.5\text{ V} + /-V_{RIPPLE}$ $V_{RIPPLE} = 0.1\text{ V}$ frequency = 1 kHz $I_{OUT} = 10\text{ mA}$		65		dB
		$V_{IN} = V_{OUT(NOM)} + 0.5\text{ V} + /-V_{RIPPLE}$ $V_{RIPPLE} = 0.1\text{ V}$ frequency = 10 kHz $I_{OUT} = 100\text{ mA}$		62		
I_Q	Quiescent current	$I_{OUT} = 0\text{ mA}$		20		μA
		$I_{OUT} = 0\text{ mA}$ $-40\text{ }^\circ\text{C} < T_J < 125\text{ }^\circ\text{C}$			50	
		$I_{OUT} = 0$ to 1 A		200		

Symbol	Parameter	Test conditions	Min.	Typ.	Max.	Unit
I _Q	Quiescent current	I _{OUT} = 0 to 1 A -40 °C < T _J < 125 °C			300	μA
		V _{IN} input current in OFF mode: ⁽³⁾ V _{EN} = GND		0.001	1	
PG	Power good output threshold	Rising edge		0.92* V _{OUT}		V
		Falling edge		0.8* V _{OUT}		
	Power good output voltage low	I _{sink} = 6 mA open drain output			0.4	V
I _{SC}	Short-circuit current	R _L = 0		2.5		A
V _{EN}	Enable input logic low	V _{IN} = 1.5 V to 5.5 V			0.4	V
	Enable input logic high	-40 °C < T _J < 125 °C	0.9			V
I _{EN}	Enable pin input current	V _{EN} = V _{IN}		0.1	100	nA
T _{ON}	Turn-on time ⁽⁴⁾			30		μs
T _{SHDN}	Thermal shutdown			160		°C
	Hysteresis			20		
C _{OUT}	Output capacitor	Capacitance (see Section 5)	1			μF

1. All transient values are guaranteed by design, not tested in production.
2. Dropout voltage is the input-to-output voltage difference at which the output voltage is 100 mV below its nominal value. This specification does not apply to output voltages below 1.5 V.
3. PG pin floating.
4. Turn-on time is time measured between the enable input just exceeding V_{EN} high value and the output voltage just reaching 95% of its nominal value.

5 Typical performance characteristics

 $C_{IN} = C_{OUT} = 1 \mu F$


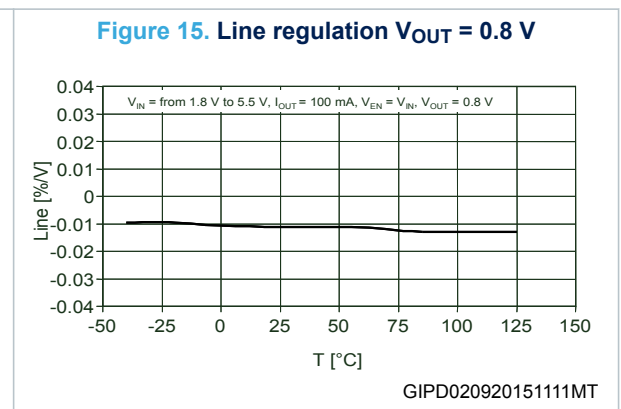
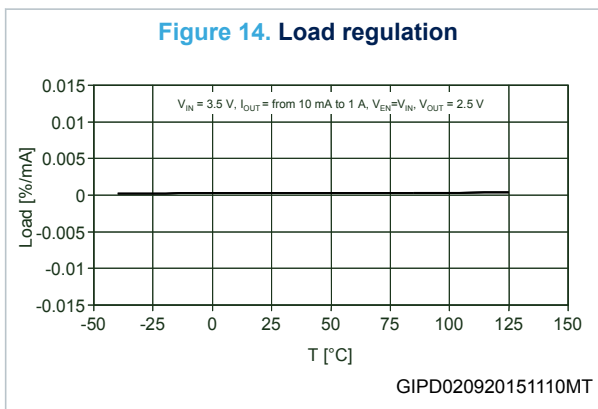
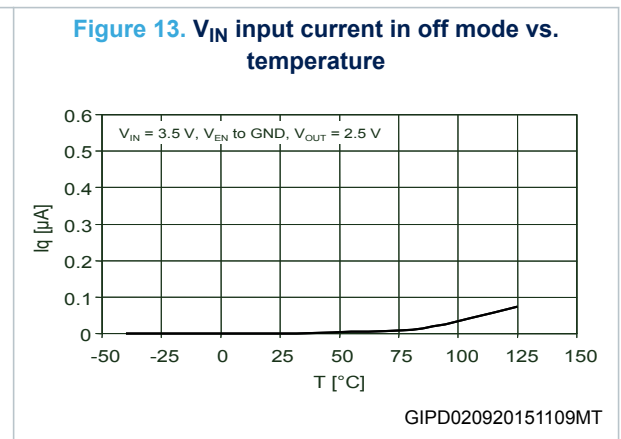
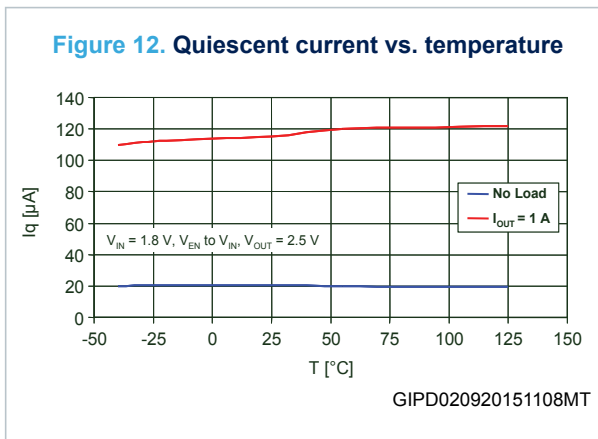
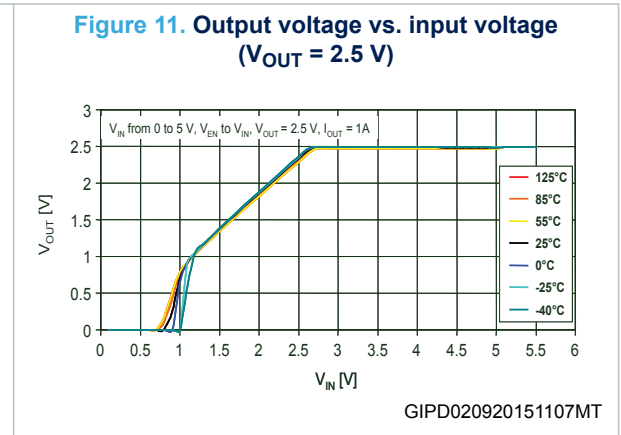
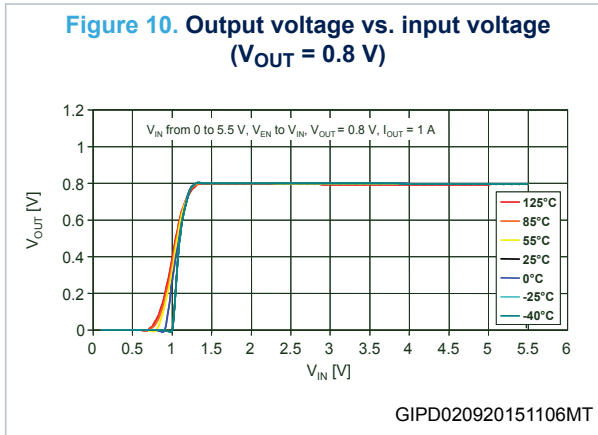


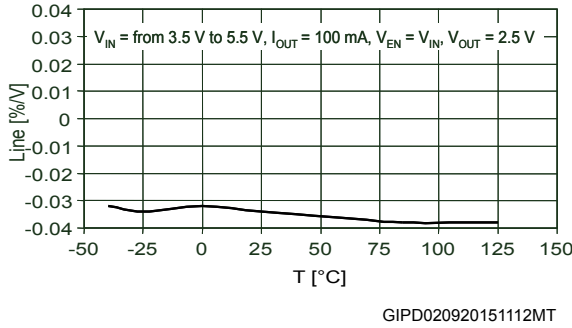
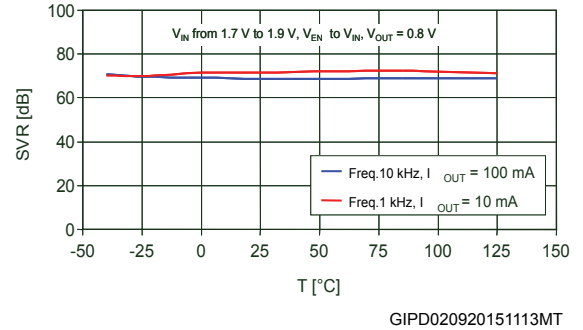
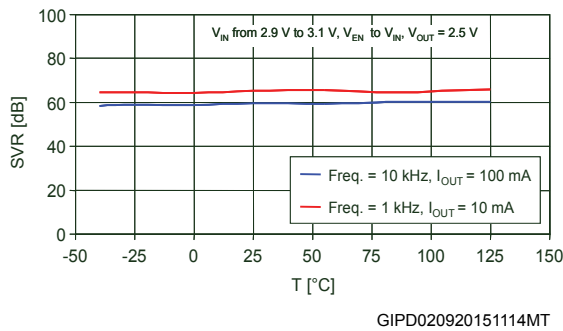
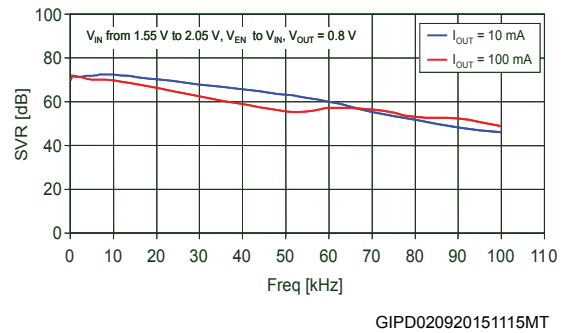
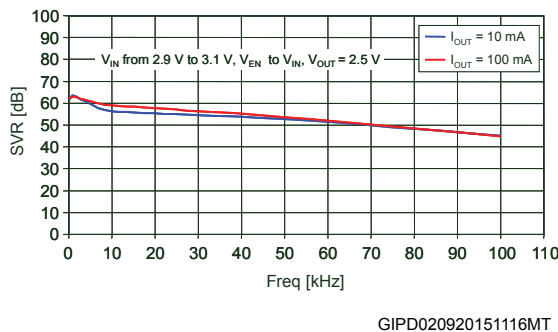
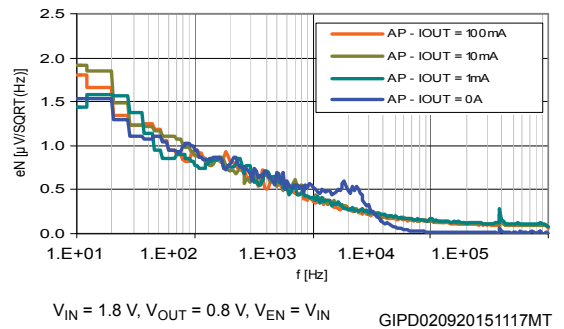
Figure 16. Line regulation $V_{OUT} = 2.5\text{ V}$

Figure 17. Supply voltage rejection vs. temperature ($V_{OUT} = 0.8\text{ V}$)

Figure 18. Supply voltage rejection vs. temperature ($V_{OUT} = 2.5\text{ V}$)

Figure 19. Supply voltage rejection vs. frequency ($V_{OUT} = 0.8\text{ V}$)

Figure 20. Supply voltage rejection vs. frequency ($V_{OUT} = 2.5\text{ V}$)

Figure 21. Output noise voltage vs. frequency


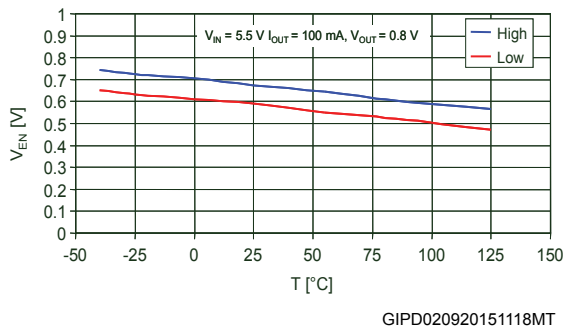
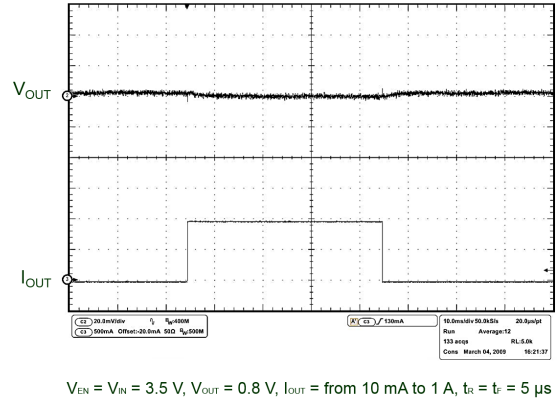
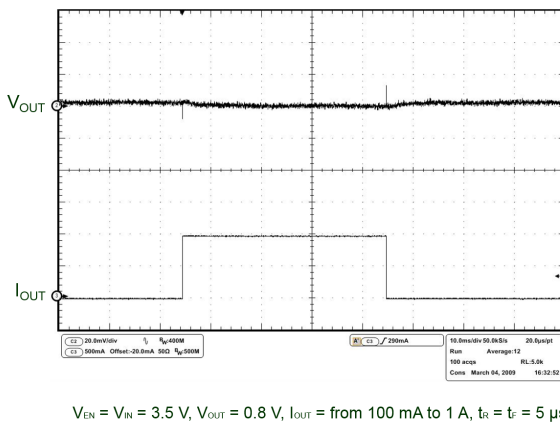
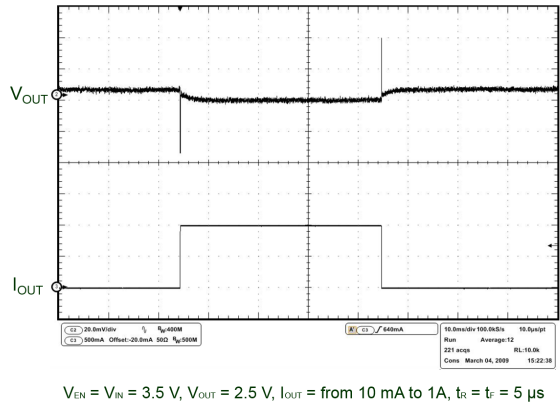
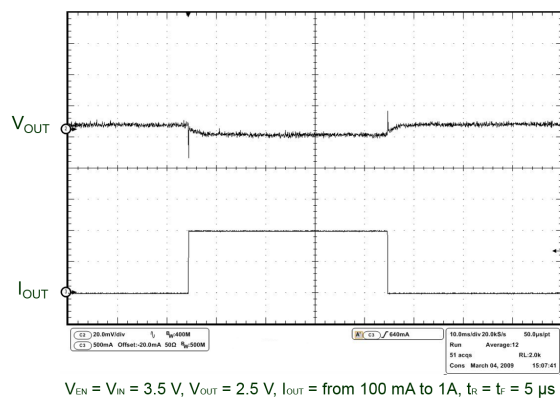
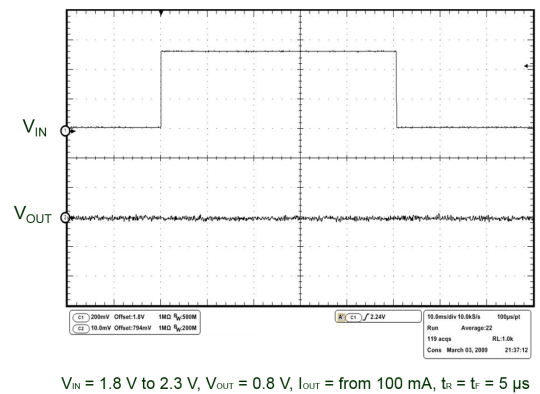
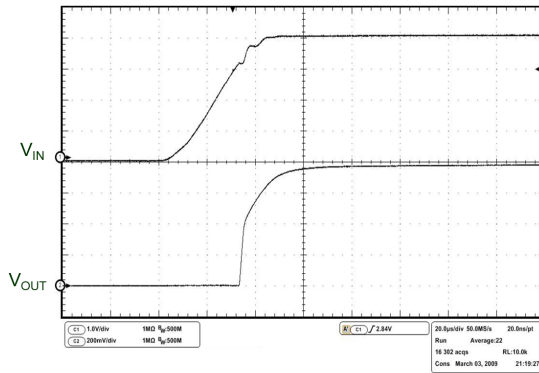
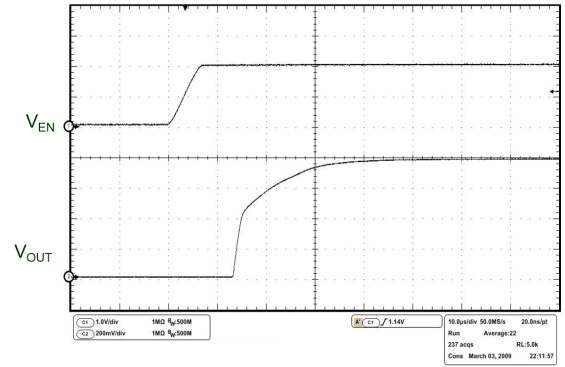
Figure 22. Enable voltage vs. temperature

Figure 23. Load Transient ($V_{OUT} = 0.8\text{ V}$, I_{OUT} = from 10 mA to 1 A)

Figure 24. Load Transient ($V_{OUT} = 0.8\text{ V}$, I_{OUT} = from 100 mA to 1 A)

Figure 25. Load Transient ($V_{OUT} = 2.5\text{ V}$, I_{OUT} = from 10 mA to 1 A)

Figure 26. Load Transient ($V_{OUT} = 2.5\text{ V}$, I_{OUT} = from 100 mA to 1 A)

Figure 27. Line transient


Figure 28. Start-up transient

 $V_{EN} = V_{IN} = 0\text{ V to } 4\text{ V}, V_{OUT} = 0.8\text{ V}, I_{OUT} = 100\text{ mA}$
Figure 29. Enable transient

 $V_{EN} = 0\text{ V to } 2\text{ V}, V_{IN} = 3.5\text{ V}, V_{OUT} = 0.8\text{ V}, I_{OUT} = 100\text{ mA}$

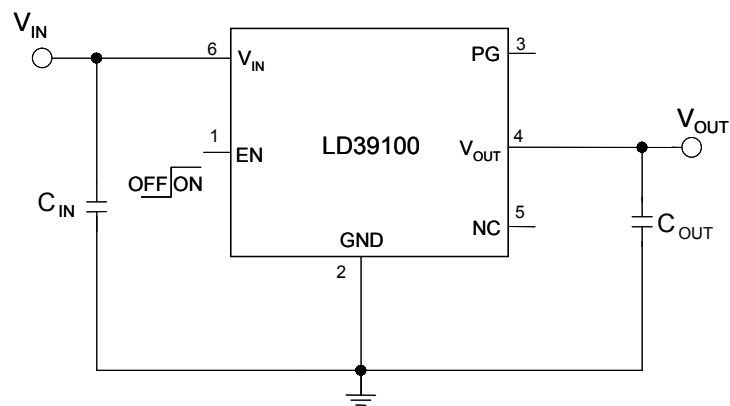
6 Application information

The LD39100 is an ultra low-dropout linear regulator. It provides up to 1 A with a low 200 mV dropout. The input voltage range is from 1.5 V to 5.5 V. The device is available in fixed and adjustable output versions.

The regulator is equipped with internal protection circuitry, such as short-circuit current limiting and thermal protection.

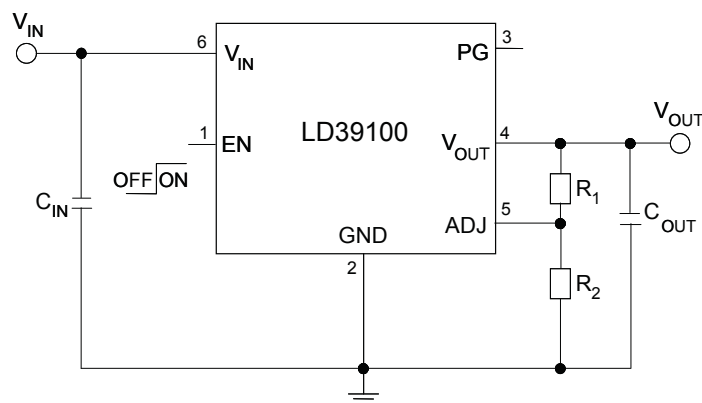
Figure 30. Typical application circuit for fixed output version and Figure 31. Typical application circuit for adjustable version illustrate the typical application schematics:

Figure 30. Typical application circuit for fixed output version



GIPD040920151351MT

Figure 31. Typical application circuit for adjustable version



GIPD040920151352MT

Regarding the adjustable version, the output voltage can be adjusted from 0.8 V up to the input voltage, minus the voltage drop across the pass element (dropout voltage), by connecting a resistor divider between ADJ pin and the output, thus allowing remote voltage sensing.

The resistor divider should be selected as follows:

$$V_{OUT} = V_{ADJ} \left(1 + \frac{R_1}{R_2} \right) \text{ with } V_{ADJ} = 0.8V(\text{typ.}) \quad (1)$$

Resistors should be used with values in the range from 10 kΩ to 50 kΩ. Lower values can also be suitable, but they increase current consumption.

6.1 External capacitors

The LD39100 voltage regulator requires external low ESR capacitors to assure control loop stability. These capacitors must be selected to meet the requirements of minimum capacitance and equivalent series resistance defined in the following sections.

Input and output capacitors should be located as close as possible to the relevant pins.

6.1.1 Input capacitor

An input capacitor with a minimum value of 1 μF must be located as close as possible to the input pin of the device and returned to a clean analog ground. A good quality, low-ESR ceramic capacitor is suggested. It helps to ensure stability of the control loop, reduces the effects of inductive sources and improves ripple rejection.

A value above 1 μF may be chosen when the application involves fast load transients.

6.1.2 Output capacitor

The LD39100 requires a low-ESR capacitor connected on its output to keep the control loop stable and reduce the risk of ringing and oscillations. The control loop is designed to be stable with any good quality ceramic capacitor (such as X5R/X7R types) with a minimum value of 1 μF and equivalent series resistance in the 0 to 150 $\text{m}\Omega$ range.

It is important to highlight that the output capacitor must maintain its capacitance and ESR in the stable region over the full operating temperature, load and input voltage ranges to assure stability. Therefore, capacitance and ESR variations must be taken into account in the design phase to ensure the device works in the expected stability region.

If the above conditions are respected, there is no maximum limit to the output capacitance.

6.2 Power dissipation

An internal thermal feedback loop disables the output voltage if the die temperature rises to approximately 160 $^{\circ}\text{C}$. This feature protects the device from excessive temperature and allows the user to push the limits of the power handling capability of a given circuit board without the risk of damaging the device.

A good PC board layout should be used to maximize power dissipation. The thermal path for the heat generated by the device is from the die to the copper lead frame, through the package leads and exposed pad, to the PC board copper. The PC board copper acts as a heatsink. The footprint copper pads should be as wide as possible to spread and dissipate the heat to the surrounding ambient. Feed-through vias to the inner or backside copper layers are also useful to improve the overall thermal performance of the device.

The device power dissipation depends on the input voltage, output voltage and output current, and is given by:

$$P_D = (V_{IN} - V_{OUT}) I_{OUT} \quad (2)$$

Junction temperature of the device is:

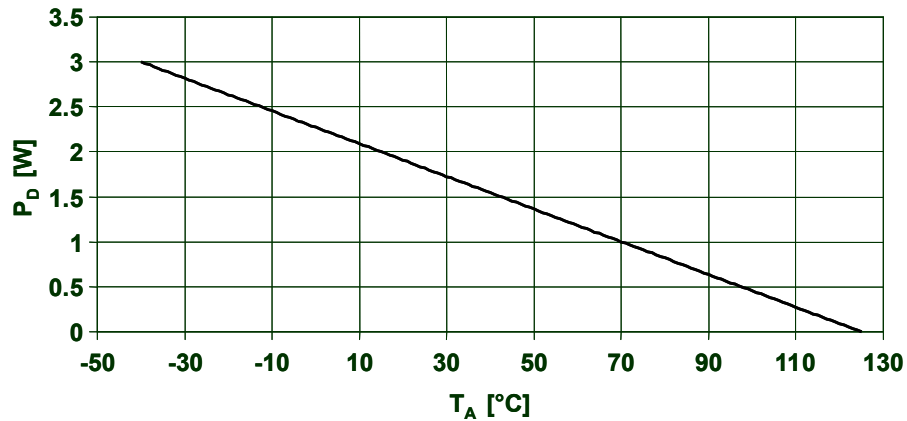
$$T_{J_MAX} = T_A + R_{thJA} \times P_D \quad (3)$$

where:

T_{J_MAX} is the maximum junction of the die, 125 $^{\circ}\text{C}$

T_A is the ambient temperature

R_{thJA} is the thermal resistance junction-to-ambient

Figure 32. Power dissipation vs. ambient temperature


GIPD040920151415MT

6.3 Enable function

The LD39100 features the enable function. When EN voltage is higher than 0.9 V, the device is ON, and if it is lower than 0.4 V, the device is OFF. In shutdown mode, consumption is lower than 1 μ A.

EN pin has not an internal pull-up, so it cannot be left floating if it is not used.

6.4 Power Good function

Some applications require a flag showing that the output voltage is in the correct range.

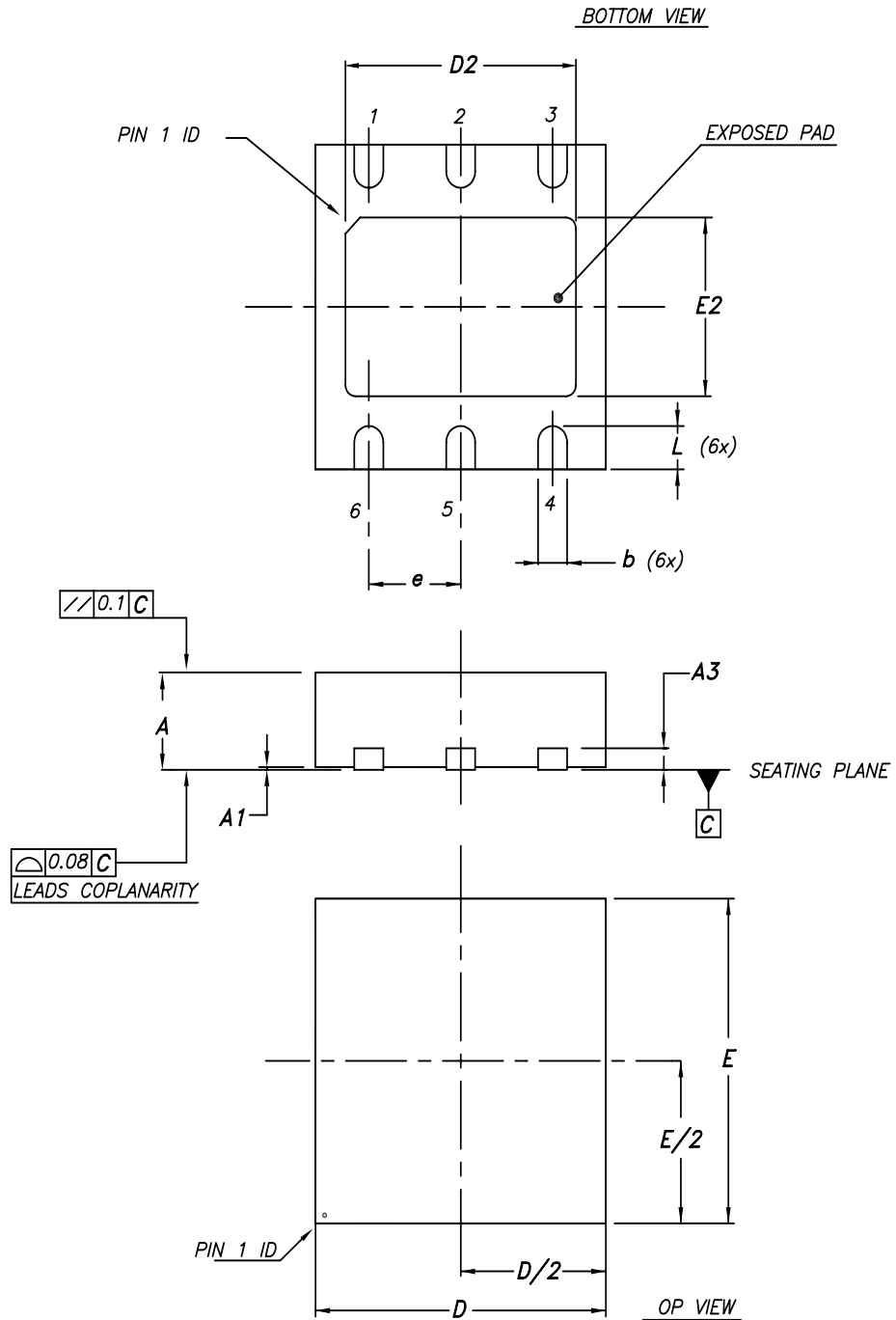
Power Good threshold depends on the adjust voltage. When it is higher than $0.92 \cdot V_{ADJ}$, Power Good (PG) pin goes to high impedance. If it is below $0.80 \cdot V_{ADJ}$ PG pin goes to low impedance. If the device works well, Power Good pin is at high impedance. If the output voltage is fixed using an external or internal resistor divider, Power Good threshold is $0.92 \cdot V_{OUT}$.

If the device is disabled (EN pin low) the PG signal is set to high impedance. This is done intentionally to avoid pull down current by the PG pin in disabled mode.

Power Good function requires an external pull-up resistor, which has to be connected between PG pin and V_{IN} or V_{OUT} . PG pin typical current capability is up to 6 mA. A pull-up resistor for PG should be in the range from 100 k Ω to 1 M Ω . If Power Good function is not used, PG pin has to remain floating.

7 Package information

In order to meet environmental requirements, ST offers these devices in different grades of **ECOPACK** packages, depending on their level of environmental compliance. ECOPACK specifications, grade definitions and product status are available at: www.st.com. ECOPACK is an ST trademark.

7.1 DFN6 (3x3 mm) package information
Figure 33. DFN6 (3x3 mm) package outline


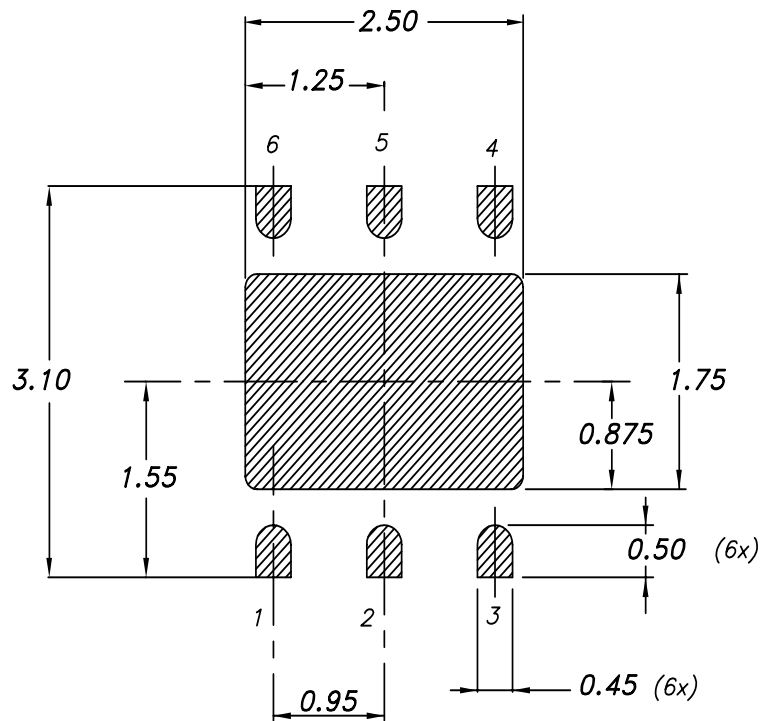
7946637_C

Table 7. DFN6 (3x3 mm) mechanical data

Dim.	mm		
	Min.	Typ.	Max.
A	0.80		1
A1	0	0.02	0.05
A3		0.20	
b	0.23		0.45
D	2.90	3	3.10
D2	2.23		2.50
E	2.90	3	3.10
E2	1.50		1.75
e		0.95	
L	0.30	0.40	0.50

Figure 34. DFN6 (3x3 mm) recommended footprint

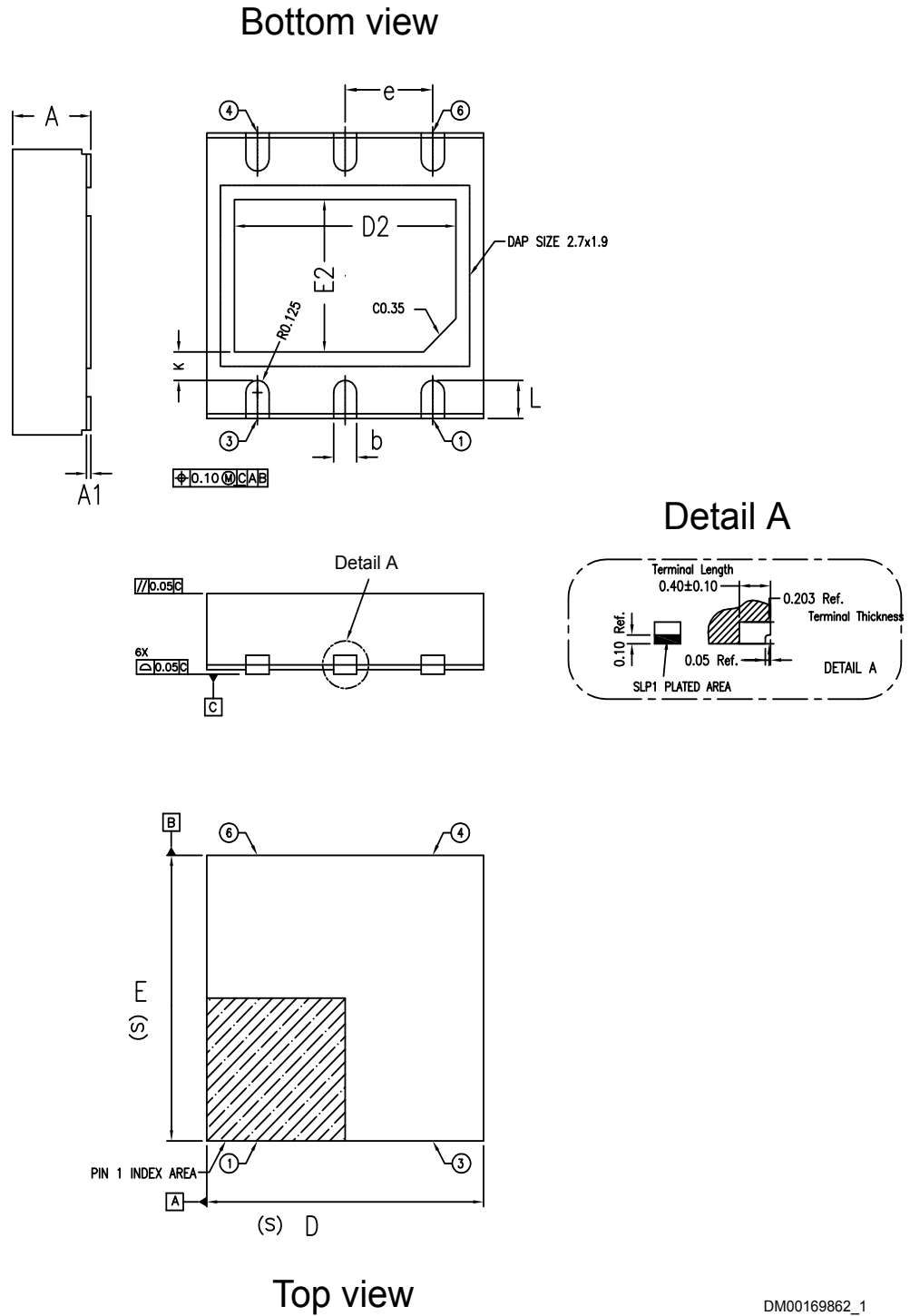
FOOTPRINT RECOMMENDED



7946637_C

7.2 DFN6 (3x3 mm) automotive-grade package information

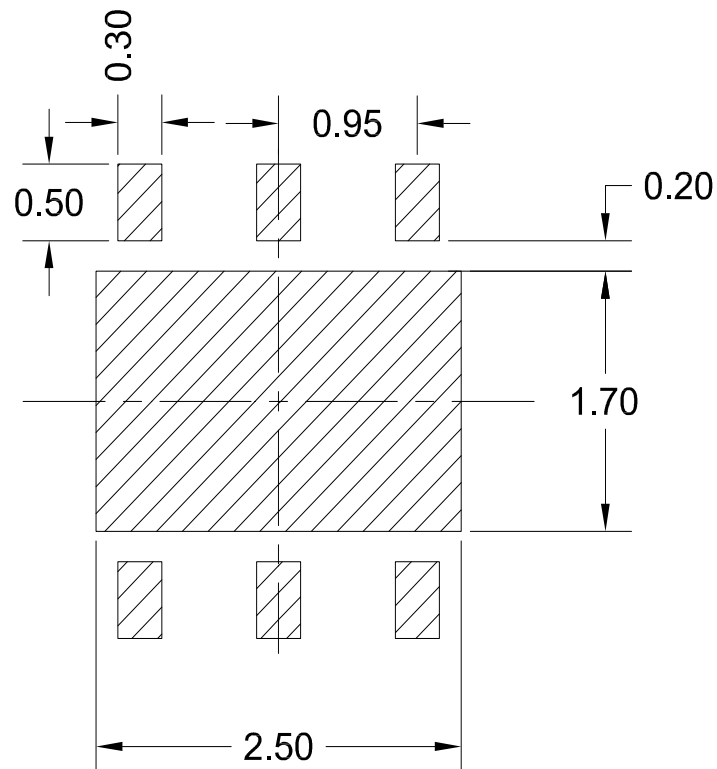
Figure 35. DFN6 (3x3 mm) automotive-grade package outline

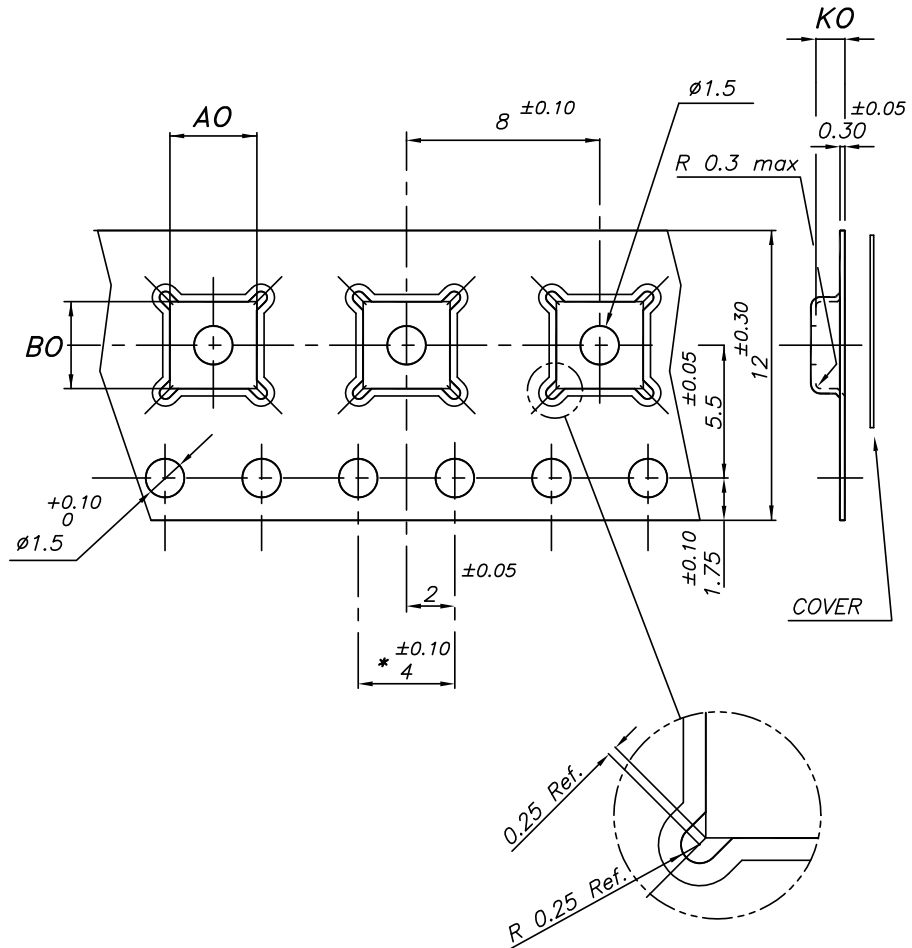


DM00169862_1

Table 8. DFN6 (3x3 mm) automotive-grade mechanical data

Dim.	mm		
	Min.	Typ.	Max.
A	0.80	0.85	0.90
A1	0.0		0.05
b	0.20	0.25	0.30
D	2.95	3.00	3.05
D2	2.30	2.40	2.50
e		0.95	
E	2.95	3.00	3.05
E2	1.50	1.60	1.70
L	0.30	0.40	0.50

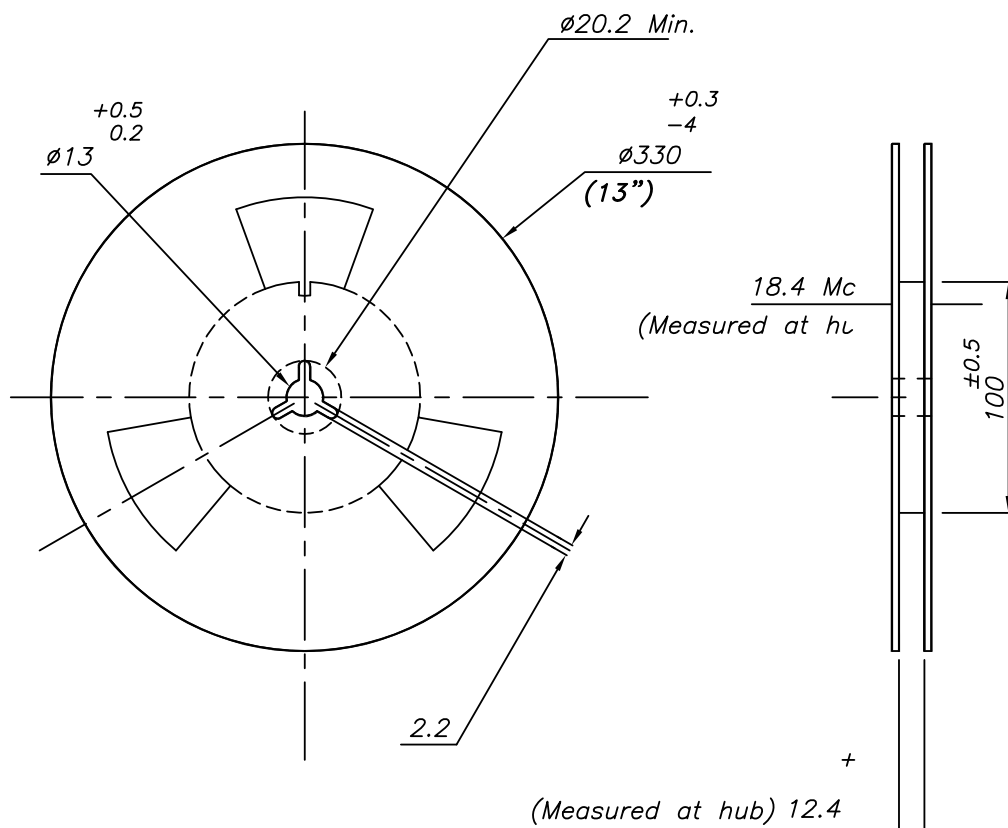
Figure 36. DFN6 (3x3 mm) automotive-grade recommended footprint


7.3 DFN6 (3x3 mm) packing information
Figure 37. DFN6 (3x3) tape outline


* **10 SPROCKET HOLE PITCH CUMULATIVE TOLERANCE ±0.20**

7875978_N

Figure 38. DFN6 (3x3 mm) reel outline



7875978_N

Table 9. DFN6 (3x3) tape and reel mechanical data

Dim.	mm		
	Min.	Typ.	Max.
A0	3.20	3.30	3.40
B0	3.20	3.30	3.40
K0	1	1.10	1.20

8 Ordering information

Table 10. Order code

Order code		Output voltage
Industrial grade	Automotive grade ⁽¹⁾	
LD39100PUR	LD39100PURY	Adj. from 0.8 V
LD39100PU12R	LD39100PU12RY	1.2 V
LD39100PU18R	LD39100PU18RY	1.8 V
LD39100PU25R	LD39100PU25RY	2.5 V
LD39100PU30R		3.0 V
LD39100PU33R	LD39100PU33RY	3.3 V

1. Qualified and characterized according to AEC Q100 and Q003 or equivalent, advanced screening according to AEC Q001 and Q002 or equivalent.

Revision history

Table 11. Document revision history

Date	Revision	Changes
29-Jul-2009	1	Initial release.
16-Apr-2010	2	Modified Figure 8 on page 9.
11-Oct-2011	3	Document status promoted from preliminary data to datasheet.
24-Apr-2014	4	Part numbers LD39100xx, LD39100xx12 and LD39100xx25 changed to LD39100. Updated Table 1: Device summary. Updated the description in cover page Section 1: Circuit schematics, Section 2: Pin configuration, Section 4: Electrical characteristics, Section 5: Typical performance characteristics, Figure 32: Typical application circuit for fixed output version, Section 7: Package mechanical data. Deleted previous Section 8: Different output voltage versions of the LD39100xx available on request. Added Section 8: Packaging mechanical data. Minor text changes.
01-Sep-2015	5	Updated Figure 32: Typical application circuit for fixed output version. Minor text changes.
20-Jun-2016	6	Updated features in cover page. Removed Table 1: Device summary. Updated Section 6.2: "Enable function". Added Section 8: "Ordering information" and Section 7.1: "DFN6 (3x3 mm) package information". Minor text changes.
23-Oct-2017	7	In Table 5: "LD39100 electrical characteristics (adjustable version)": - Updated I_{SC} typ. value (was 1.5) Table 6: "LD39100 electrical characteristics (fixed version)": - Updated I_{SC} typ. value (was 1.5) Removed Figure 30: ESR required for stability with ceramic capacitors ($V_{OUT} = 0.8$ V) Removed Figure 31: ESR required for stability with ceramic capacitors ($V_{OUT} = 2.5$ V) Updated Section 6: "Application information" Added Section 6.1: "External capacitors"
09-Oct-2019	8	Updated Figure 7. Dropout voltage vs. temperature ($V_{OUT} = 1.5$ V)
02-Apr-2020	9	Updated EN value in Table 2

Contents

1	Circuit schematics	2
2	Pin configuration	3
3	Maximum ratings	4
4	Electrical characteristics	5
5	Typical performance characteristics	9
6	Application information	14
6.1	External capacitors	15
6.1.1	Input capacitor	15
6.1.2	Output capacitor	15
6.2	Power dissipation	15
6.3	Enable function	16
6.4	Power Good function	16
7	Package information	17
7.1	DFN6 (3x3 mm) package information	18
7.2	DFN6 (3x3 mm) automotive-grade package information	20
7.3	DFN6 (3x3 mm) packing information	22
8	Ordering information	24
	Revision history	25
	Contents	26
	List of tables	27
	List of figures	28

List of tables

Table 1.	Pin description	3
Table 2.	Absolute maximum ratings	4
Table 3.	Thermal data	4
Table 4.	ESD performance	4
Table 5.	LD39100 electrical characteristics (adjustable version) $T_J = 25\text{ }^\circ\text{C}$, $V_{IN} = 1.8\text{ V}$, $C_{IN} = C_{OUT} = 1\text{ }\mu\text{F}$, $I_{OUT} = 100\text{ mA}$, $V_{EN} = V_{IN}$, unless otherwise specified	5
Table 6.	LD39100 electrical characteristics (fixed version) $T_J = 25\text{ }^\circ\text{C}$, $V_{IN} = V_{OUT(NOM)} + 1\text{ V}$, $C_{IN} = C_{OUT} = 1\text{ }\mu\text{F}$, $I_{OUT} = 100\text{ mA}$, $V_{EN} = V_{IN}$, unless otherwise specified	7
Table 7.	DFN6 (3x3 mm) mechanical data	19
Table 8.	DFN6 (3x3 mm) automotive-grade mechanical data	21
Table 9.	DFN6 (3x3) tape and reel mechanical data	23
Table 10.	Order code	24
Table 11.	Document revision history	25

List of figures

Figure 1.	LD39100 schematic diagram (adjustable version)	2
Figure 2.	LD39100 schematic diagram (fixed version)	2
Figure 3.	Pin connection (top view)	3
Figure 4.	V_{ADJ} accuracy	9
Figure 5.	V_{OUT} accuracy	9
Figure 6.	Dropout voltage vs. temperature ($V_{OUT} = 2.5\text{ V}$)	9
Figure 7.	Dropout voltage vs. temperature ($V_{OUT} = 1.5\text{ V}$)	9
Figure 8.	Dropout voltage vs. output current.	9
Figure 9.	Short-circuit current vs. drop voltage	9
Figure 10.	Output voltage vs. input voltage ($V_{OUT} = 0.8\text{ V}$).	10
Figure 11.	Output voltage vs. input voltage ($V_{OUT} = 2.5\text{ V}$).	10
Figure 12.	Quiescent current vs. temperature.	10
Figure 13.	V_{IN} input current in off mode vs. temperature	10
Figure 14.	Load regulation.	10
Figure 15.	Line regulation $V_{OUT} = 0.8\text{ V}$	10
Figure 16.	Line regulation $V_{OUT} = 2.5\text{ V}$	11
Figure 17.	Supply voltage rejection vs. temperature ($V_{OUT} = 0.8\text{ V}$)	11
Figure 18.	Supply voltage rejection vs. temperature ($V_{OUT} = 2.5\text{ V}$)	11
Figure 19.	Supply voltage rejection vs. frequency ($V_{OUT} = 0.8\text{ V}$)	11
Figure 20.	Supply voltage rejection vs. frequency ($V_{OUT} = 2.5\text{ V}$)	11
Figure 21.	Output noise voltage vs. frequency	11
Figure 22.	Enable voltage vs. temperature.	12
Figure 23.	Load Transient ($V_{OUT} = 0.8\text{ V}$, $I_{OUT} = \text{from } 10\text{ mA to } 1\text{ A}$)	12
Figure 24.	Load Transient ($V_{OUT} = 0.8\text{ V}$, $I_{OUT} = \text{from } 100\text{ mA to } 1\text{ A}$)	12
Figure 25.	Load Transient ($V_{OUT} = 2.5\text{ V}$, $I_{OUT} = \text{from } 10\text{ mA to } 1\text{ A}$)	12
Figure 26.	Load Transient ($V_{OUT} = 2.5\text{ V}$, $I_{OUT} = \text{from } 100\text{ mA to } 1\text{ A}$)	12
Figure 27.	Line transient	12
Figure 28.	Start-up transient	13
Figure 29.	Enable transient	13
Figure 30.	Typical application circuit for fixed output version	14
Figure 31.	Typical application circuit for adjustable version	14
Figure 32.	Power dissipation vs. ambient temperature	16
Figure 33.	DFN6 (3x3 mm) package outline	18
Figure 34.	DFN6 (3x3 mm) recommended footprint	19
Figure 35.	DFN6 (3x3 mm) automotive-grade package outline	20
Figure 36.	DFN6 (3x3 mm) automotive-grade recommended footprint.	21
Figure 37.	DFN6 (3x3) tape outline	22
Figure 38.	DFN6 (3x3 mm) reel outline	23