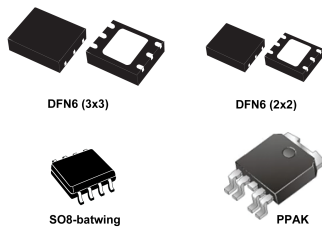


1.2 A low quiescent current LDO with reverse current protection



Features

- Input voltage from 1.6 to 5.5 V
- Very low-dropout voltage (300 mV typ. at 1 A load)
- Low quiescent current (35 μ A typ. at no-load, 1 μ A max. in off mode)
- Output voltage tolerance: $\pm 2.0\%$ at 25 °C
- 1.2 A guaranteed output current
- Wide range of output voltages available on request: 0.8 V to 5 V with 50 mV step and adjustable
- Logic-controlled electronic shutdown
- Compatible with ceramic capacitor $C_{OUT} = 1 \mu$ F
- Internal current and thermal limit
- Available in DFN6 (2x2), DFN6 (3x3) mm, SO8-batwing and PPAK packages
- Temperature range: -40 °C to 125 °C
- Reverse current protection
- Output discharge function (optional)

Applications

- Consumer
- Computer
- Battery-powered systems
- Low voltage point-of-load
- USB-powered devices

Maturity status link

[LDL112](#)

Description

The [LDL112](#) is a low-dropout linear regulator, which can provide a maximum current of 1.2 A, with a typical dropout voltage of 300 mV.

It is stabilized with a ceramic capacitor on the output.

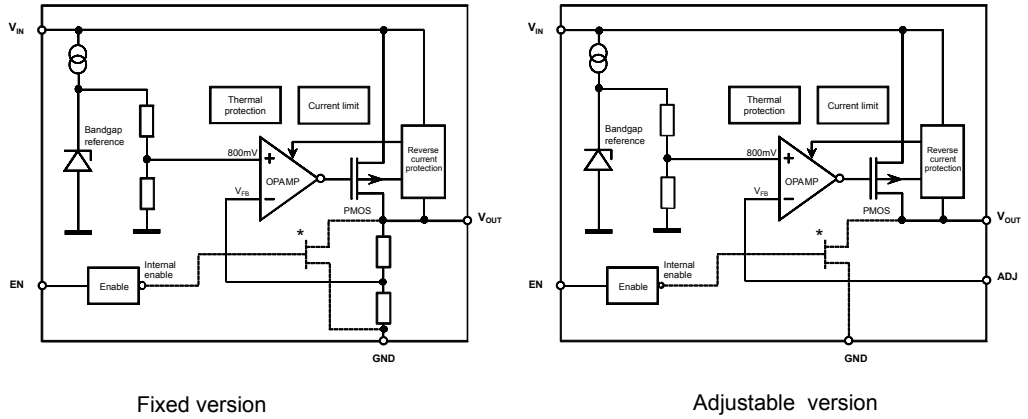
The very low drop voltage, low quiescent current and reverse current protection features make it suitable for low power battery-powered applications.

The enable logic control function puts the [LDL112](#) in shutdown mode allowing a total current consumption lower than 1 μ A.

The device is equipped with current limit and thermal protection.

1 Diagram

Figure 2. Block diagram



AM14036V1

Note: (*) The output discharge function is optional.

2 Pin configuration

Figure 3. Pin connection DFN6 (3x3) and DFN6 (2x2) (top view)

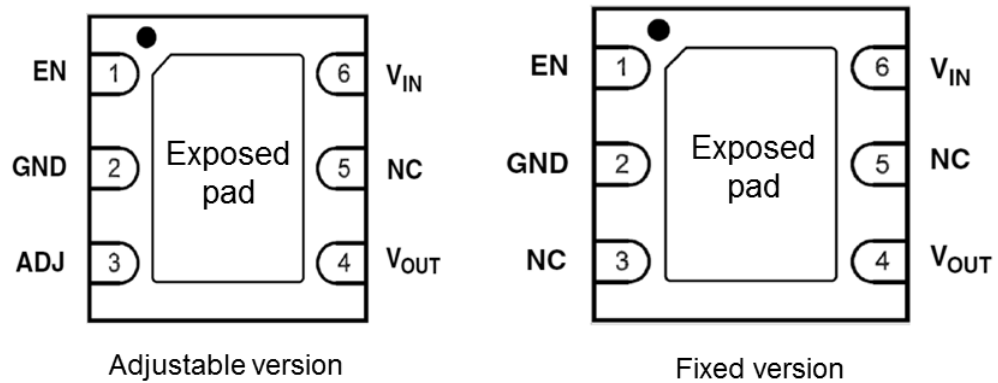
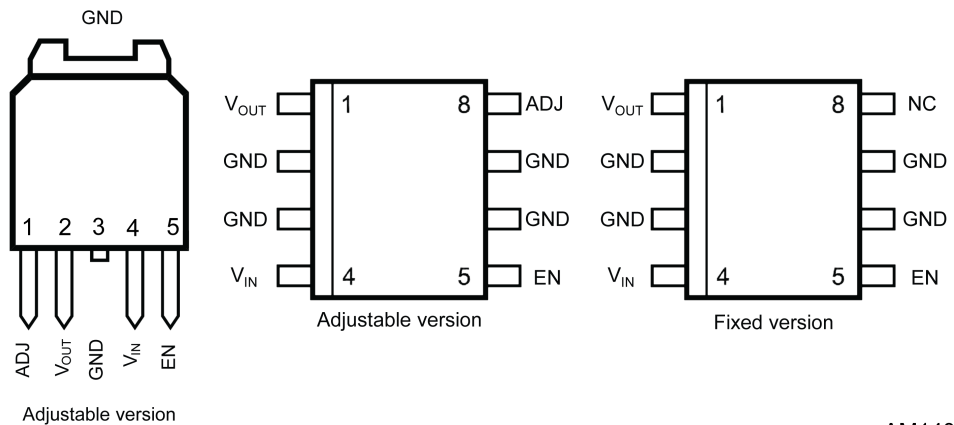


Figure 4. Pin connection PPAK and SO8 (top view)



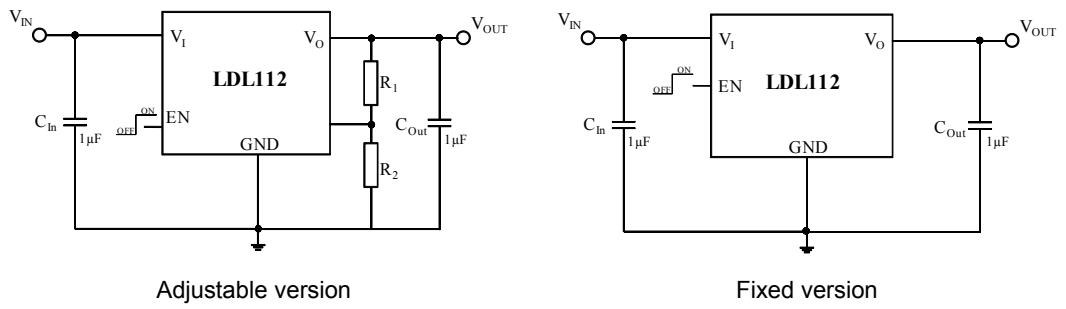
AM14038V1

Table 1. Pin description

Symbol	Function
V_{IN}	LDO input voltage
GND	Common ground
EN	Enable pin logic input: low = shutdown, high = active. Don't leave this pin floating
ADJ	Adjustable pin (on adjustable version)
V_{OUT}	LDO output voltage
Exposed pad	Must be connected to GND
NC	Not connected

3 Typical application

Figure 5. Typical application circuits



AM14039V1

4 Maximum ratings

Table 2. Absolute maximum ratings

Symbol	Parameter	Value	Unit
V_{IN}	DC input voltage	- 0.3 to 7	V
V_{OUT}	DC output voltage	- 0.3 to $V_I + 0.3$	V
V_{EN}	Enable input voltage	- 0.3 to $V_I + 0.3$	V
V_{ADJ}	ADJ pin voltage	2	V
I_{OUT}	Output current	Internally limited	mA
P_D	Power dissipation	Internally limited	mW
T_{STG}	Storage temperature range	- 65 to 150	°C
T_{OP}	Operating junction temperature range	- 40 to 125	°C

Note: Absolute maximum ratings are those values beyond which damage to the device may occur. Functional operation under these conditions is not implied. All values are referred to GND.

Table 3. Thermal data

Symbol	Parameter	DFN6 (3x3)	DFN6 (2x2)	SO8	PPAK	Unit
R_{thJA}	Thermal resistance junction-ambient	55	65	55 ⁽¹⁾	100	°C/W
R_{thJC}	Thermal resistance junction-case	10	15	20	8	°C/W

1. Considering 6 cm² of copper board heatsink.

5 Electrical characteristics

$T_J = 25\text{ °C}$, $V_{IN} = V_{OUT(NOM)} + 0.5\text{ V}$ (for $V_{OUT(NOM)} \leq 1\text{ V}$, $V_{IN} = 2.1\text{ V}$), $C_{IN} = C_{OUT} = 1\text{ }\mu\text{F}$, $I_{OUT} = 5\text{ mA}$, $V_{EN} = V_{IN}$, unless otherwise specified.

Table 4. LDL112 electrical characteristics (fixed version)

Symbol	Parameter	Test conditions	Min.	Typ.	Max.	Unit
V_{IN}	Operating input voltage		1.6		5.5	V
V_{OUT}	V_{OUT} accuracy	$I_{OUT} = 5\text{ mA}$, $T_J = 25\text{ °C}$	-2.0		2.0	%
		$I_{OUT} = 5\text{ mA}$, $-40\text{ °C} < T_J < 125\text{ °C}$	-3.0		3.0	%
ΔV_{OUT}	Static line regulation ⁽¹⁾	$V_{OUT(NOM)} + 0.5\text{ V} < V_{IN} \leq 5.5\text{ V}$ ⁽²⁾		0.05	0.1	%/V
ΔV_{OUT}	Static load regulation	$I_{OUT} = 0\text{ mA}$ to 1.2 A , $V_{IN} > 2.1\text{ V}$		15	30	mV
V_{DROP}	Dropout voltage ⁽³⁾	$I_{OUT} = 1\text{ A}$, $V_{OUT} = 3.3\text{ V}$		300		mV
		$I_{OUT} = 1.2\text{ A}$, $V_{OUT} = 3.3\text{ V}$ $-40\text{ °C} < T_J < 125\text{ °C}$		350	600	
e_N	Output noise voltage	10 Hz to 100 kHz, $I_{OUT} = 10\text{ mA}$ $V_{OUT} = 3.3\text{ V}$		135		μV_{RMS}
SVR	Supply voltage rejection	$V_{IN} = V_{OUT(NOM)} + 0.5\text{ V} \pm V_{RIPPLE}$ ⁽²⁾ $V_{RIPPLE} = 0.2\text{ V}$ frequency = 1 kHz $I_{OUT} = 10\text{ mA}$		57		dB
I_Q	Quiescent current	$I_{OUT} = 0\text{ mA}$, $-40\text{ °C} < T_J < 125\text{ °C}$		35	70	μA
		$I_{OUT} = 1.2\text{ A}$, $V_{OUT(NOM)} + 1\text{ V}$, $-40\text{ °C} < T_J < 125\text{ °C}$ ⁽²⁾		250	400	
		V_{IN} input current in off mode: $V_{EN} = \text{GND}$		0.1	1	
I_{SC}	Short-circuit current	$R_L = 0$, $V_{IN} > 2.1\text{ V}$	1.4	2		A
V_{EN}	Enable input logic low	$V_{IN} = V_{OUT(NOM)} + 0.5\text{ V}$ to 5.5 V , $-40\text{ °C} < T_J < 125\text{ °C}$ ⁽²⁾			0.35	V
	Enable input logic high	$V_{IN} = V_{OUT(NOM)} + 0.5\text{ V}$ to 5.5 V , $-40\text{ °C} < T_J < 125\text{ °C}$ ⁽²⁾	1.4			
I_{EN}	Enable pin input current	$V_{EN} = V_{IN}$			100	nA
T_{SHDN}	Thermal shutdown			165		$^{\circ}\text{C}$
	Hysteresis			20		
C_{OUT}	Output capacitor	Capacitance (see Section 7 Typical performance characteristics)	1		10	μF

1. Not applicable for $V_{out(nom)} > 4.5\text{ V}$.

2. For V_{OUTNOM} lower than or equal to 1 V , $V_{IN} = 2.1\text{ V}$.

3. Dropout voltage is the input-to-output voltage difference at which the output voltage is 100 mV below its nominal value.

$T_J = 25\text{ °C}$, $V_{IN} = 2.1\text{ V}$, $C_{IN} = C_{OUT} = 1\text{ }\mu\text{F}$, $I_{OUT} = 5\text{ mA}$, $V_{EN} = V_{IN}$, unless otherwise specified.

Table 5. LDL112 electrical characteristics (adjustable version)

Symbol	Parameter	Test conditions	Min.	Typ.	Max.	Unit
V_{IN}	Operating input voltage		1.6		5.5	V
V_{ADJ}	V_{ADJ} accuracy	$I_{OUT} = 5\text{ mA}$, $T_J = 25\text{ °C}$	784	800	816	mV
		$I_{OUT} = 5\text{ mA}$, $-40\text{ °C} < T_J < 125\text{ °C}$	-3.0		3.0	%
ΔV_{OUT}	Static line regulation ⁽¹⁾	$2.1\text{ V} \leq V_{IN} \leq 5.5\text{ V}$, $I_{OUT} = 1\text{ mA}$ ⁽²⁾		0.05	0.1	%/V
ΔV_{OUT}	Static load regulation	$I_{OUT} = 0\text{ mA}$ to 1.2 A , $V_{IN} > 2.1\text{ V}$		6	20	mV
V_{DROP}	Dropout voltage ⁽³⁾	$I_{OUT} = 1\text{ A}$, $V_{OUT} = 3.3\text{ V}$		300		mV
		$I_{OUT} = 1.2\text{ A}$, $V_{OUT} = 3.3\text{ V}$ $-40\text{ °C} < T_J < 125\text{ °C}$		350	600	
e_N	Output noise voltage	10 Hz to 100 kHz, $I_{OUT} = 10\text{ mA}$		60		μV_{RMS}
I_{ADJ}	Adjust pin current			0.130	1	μA
SVR	Supply voltage rejection	$V_{IN} = V_{OUTNOM} + 0.5\text{ V} \pm V_{RIPPLE}$ $V_{RIPPLE} = 0.2\text{ V}$, freq. = 1 kHz, $I_{OUT} = 10\text{ mA}$ ⁽²⁾		53		dB
I_Q	Quiescent current	$I_{OUT} = 0\text{ mA}$, $-40\text{ °C} < T_J < 125\text{ °C}$		35	70	μA
		$I_{OUT} = 1.2\text{ A}$, $2.1\text{ V} < V_{IN} < 5.5\text{ V}$, $-40\text{ °C} < T_J < 125\text{ °C}$		240	400	
		V_{IN} input current in off mode: $V_{EN} = \text{GND}$		0.1	1	
I_{SC}	Short-circuit current	$R_L = 0$, $V_{IN} > 2.1\text{ V}$	1.4	2		A
V_{EN}	Enable input logic low	$V_{IN} = 2\text{ V}$ to 5.5 V , $-40\text{ °C} < T_J < 125\text{ °C}$ ⁽²⁾		0	0.35	V
	Enable input logic high	$V_{IN} = 2\text{ V}$ to 5.5 V , $-40\text{ °C} < T_J < 125\text{ °C}$ ⁽²⁾	1.4			
I_{EN}	Enable pin input current	$V_{EN} = V_{IN}$			100	nA
T_{SHDN}	Thermal shutdown			165		$^{\circ}\text{C}$
	Hysteresis			20		
C_{OUT}	Output capacitor	Capacitance (see Section 7 Typical performance characteristics)	1		10	μF

1. Not applicable for $V_{out(nom)} > 4.5\text{ V}$.

2. For V_{OUT} lower than or equal to 1 V , $V_{IN} = 2.1\text{ V}$.

3. Dropout voltage is the input-to-output voltage difference at which the output voltage is 100 mV below its nominal value.

6 Application information

6.1 Thermal and short-circuit protections

The LDL112 is self-protected from short-circuit condition and overtemperature. When the output load is higher than the one supported by the device, the output current increases until the limit of typically 2 A is reached, at this point the current is kept constant even when the load impedance is zero.

Thermal protection acts when the junction temperature reaches 165 °C, therefore the IC shuts down. As soon as the junction temperature falls again below the thermal hysteresis value the device starts working again.

In order to calculate the maximum power that the device can dissipate, keeping the junction temperature below the T_{OP} , the following formula is used:

Equation 1

$$P_{DMAX} = (125 - T_{AMB}) / R_{THJA}$$

6.2 Output voltage setting for ADJ version

In the adjustable version, the output voltage can be set from 0.8 V up to the input voltage minus the voltage drop across the pass transistor (dropout voltage), by connecting a resistor divider between the ADJ pin and the output, thus allowing remote voltage sensing.

The resistor divider could be selected by the following equation:

Equation 2

$$V_{OUT} = V_{ADJ} (1 + R1 / R2), \text{ with } V_{ADJ} = 0.8 \text{ V (typ.)}$$

It is recommended to use resistors with values in the range of 10 kΩ to 50 kΩ. Lower values can also be suitable, but current consumption increases.

6.3 Reverse current protection

The device avoids the reverse current to flow from output to input during any operating condition (with enable pin in high or low status). The reverse current protection acts in particular during fast turning on/off operations or when another power supply (with higher voltage than the input one) is connected to the output port. If a power supply with lower voltage than the LDO output voltage is connected to V_{OUT} pin, LDO enters the current protection status, causing high power dissipation.

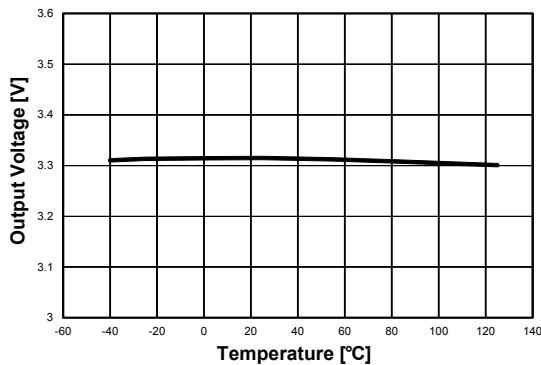
In the application, the LDL112 reverse current protection acts in the following cases:

1. **Off-state, EN pin is at GND level, $V_{OUT} > [V_{IN} + 100 \text{ mV}]$.** In this case the device power pass element (MOSFET) is off, the bulk and gate are switched to V_{OUT} and therefore all possible current paths from V_{OUT} to V_{IN} are interrupted.
2. **On-state, EN pin is at high level and $V_{OUT} > V_{OUT(nominal)}$.** In this condition, V_{OUT} is higher than the nominal level, so the device op-amp works in open loop and the power element is off. V_{GS} is zero, the bulk and gate are switched to V_{OUT} (where $V_{OUT} > [V_{IN} + 100 \text{ mV}]$) therefore all possible current paths from V_{OUT} to V_{IN} are interrupted.
3. **On-state, EN pin is at high level and $V_{OUT} < V_{OUT(nominal)}$.** In this condition V_{OUT} is lower than the nominal level, so the op-amp works in open loop with the power MOSFET on. V_{GS} is maximal so the power channel conducts with very low $R_{DS(on)}$. When $V_{OUT} > V_{IN}$ the current can flow from V_{OUT} to V_{IN} until the condition $V_{OUT} > (V_{IN} + 100 \text{ mV})$ is reached.

7 Typical performance characteristics

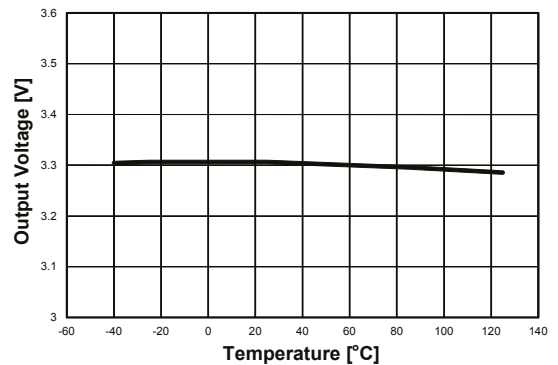
($C_{IN} = C_{OUT} = 1 \mu F$, V_{EN} to V_{IN} , $T = 25 \text{ }^\circ\text{C}$ unless otherwise specified)

Figure 8. Output voltage vs. temperature
($V_{OUT} = 3.3 \text{ V}$, $I_{OUT} = 5 \text{ mA}$)



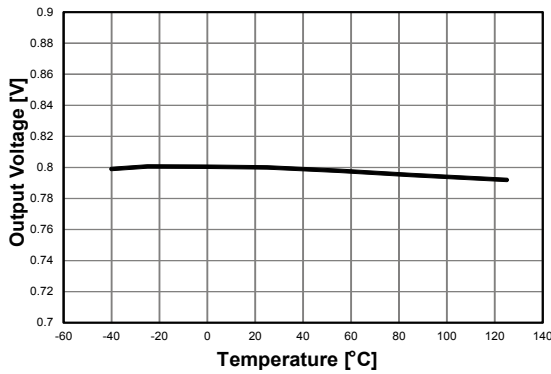
$V_{IN}=3.8\text{V}$, $I_{OUT}=5\text{mA}$, $V_{OUT}=3.3\text{V}$ AM14040V1

Figure 9. Output voltage vs. temperature
($V_{OUT} = 3.3 \text{ V}$, $I_{OUT} = 1.2 \text{ A}$)



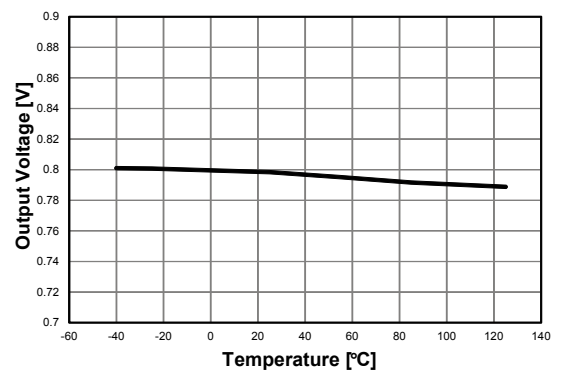
$V_{IN}=3.8\text{V}$, $I_{OUT}=1.2\text{A}$, $V_{OUT}=3.3\text{V}$ AM14041V1

Figure 10. Output voltage vs. temperature
($V_{OUT} = V_{ADJ}$, $I_{OUT} = 5 \text{ mA}$)



$V_{IN}=1.6\text{V}$, $I_{OUT}=5\text{mA}$, $V_{OUT}=V_{ADJ}$ AM14042V1

Figure 11. Output voltage vs. temperature
($V_{OUT} = V_{ADJ}$, $I_{OUT} = 1.2 \text{ A}$)



$V_{IN}=2\text{V}$, $I_{OUT}=1.2\text{A}$, $V_{OUT}=V_{ADJ}$ AM14043V1

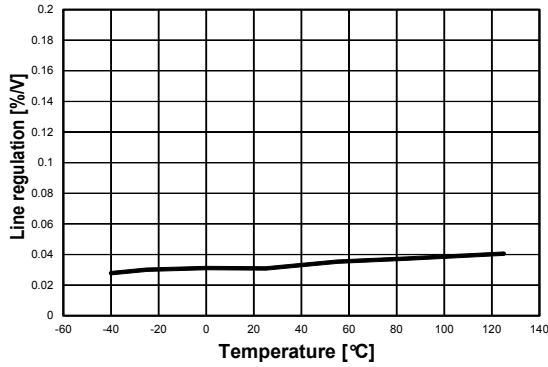
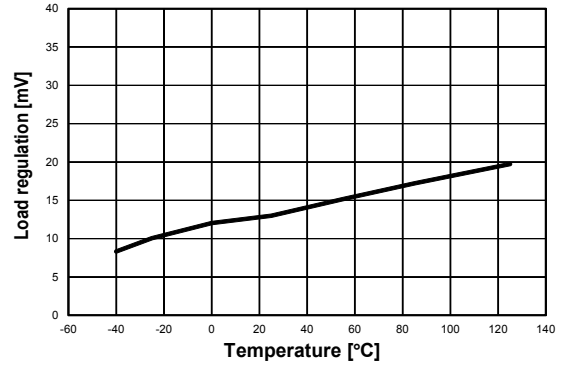
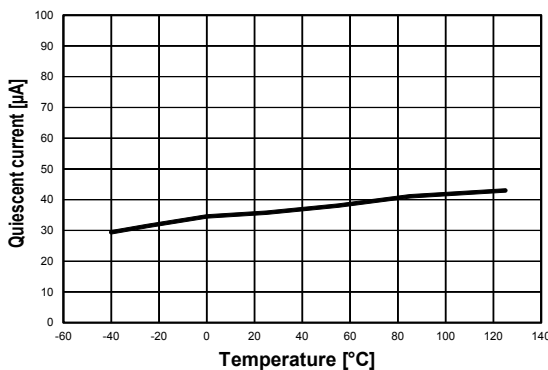
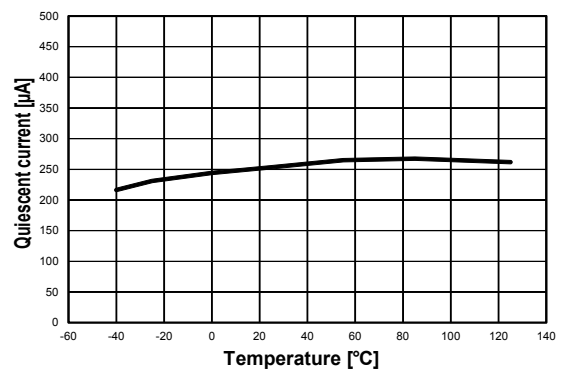
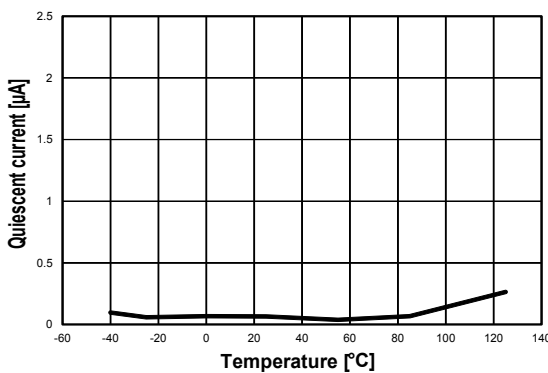
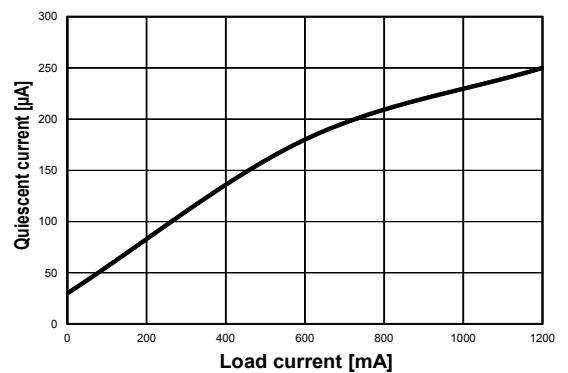
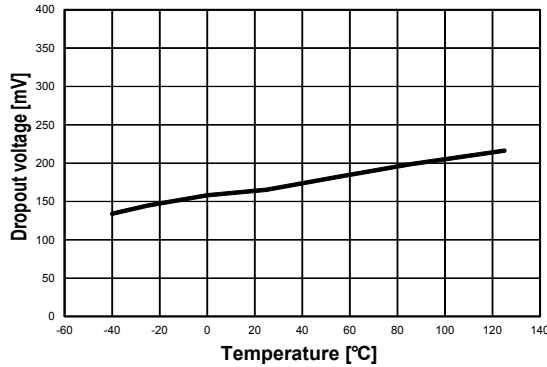
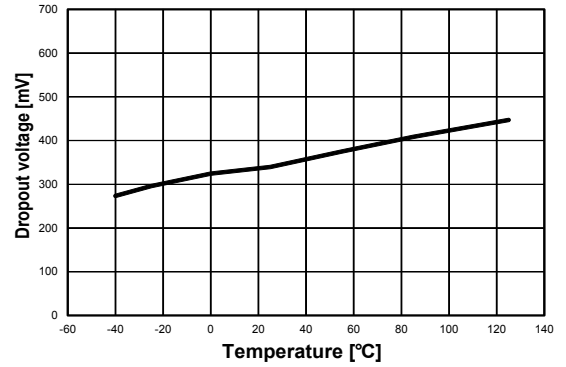
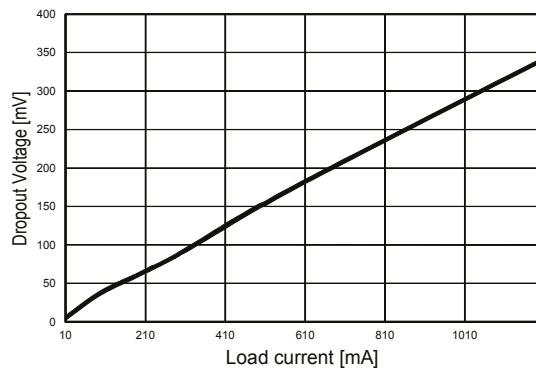
Figure 12. Line regulation vs. temperature

 $V_{IN}=3.8V$ to $5.5V$, $I_{OUT}=1.2A$, $V_{OUT}=3.3V$ **AM14044V1**
Figure 13. Load regulation vs. temperature

 $V_{IN}=3.8V$, I_{OUT} =from 0mA to 1.2A, $V_{OUT}=3.3V$ **AM14045V1**
Figure 14. Quiescent current vs. temperature ($I_{OUT} = 0$ mA)

 $V_{IN}=3.8V$, $I_{OUT}=0$ mA, $V_{OUT}=3.3V$ **AM14046V1**
Figure 15. Quiescent current vs. temperature ($I_{OUT} = 1.2$ A)

 $V_{IN}=3.8V$, $I_{OUT}=1.2A$, $V_{OUT}=3.3V$ **AM14047V1**
Figure 16. Shutdown current vs. temperature

 $V_{IN}=2V$, $V_{EN}=GND$, $V_{OUT}=V_{ADJ}$ **AM14048V1**
Figure 17. Quiescent current vs. load current

 $V_{IN}=2V$, $V_{OUT}=V_{ADJ}$, $T=25^{\circ}C$ **AM14049V1**

Figure 18. Dropout voltage vs. temperature
 ($I_{OUT} = 600 \text{ mA}$)

 $I_{OUT} = 0.6 \text{ A}, V_{OUT} = 3.3 \text{ V}$

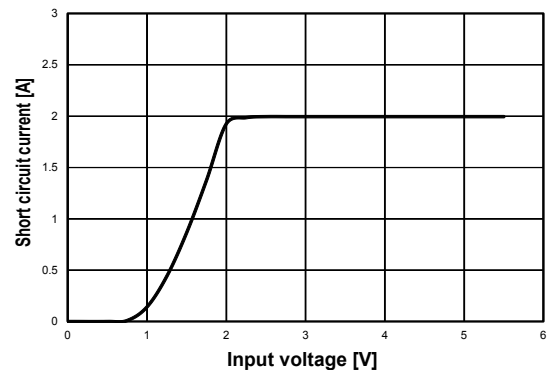
AM14050V1

Figure 19. Dropout voltage vs. temperature
 ($I_{OUT} = 1.2 \text{ A}$)

 $I_{OUT} = 1.2 \text{ A}, V_{OUT} = 3.3 \text{ V}$

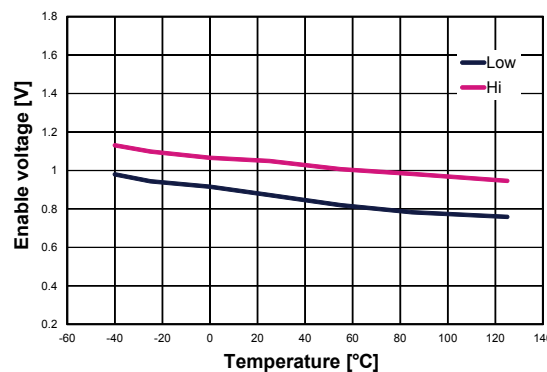
AM14051V1

Figure 20. Dropout voltage vs. load current

 $T = 25^\circ \text{C}$

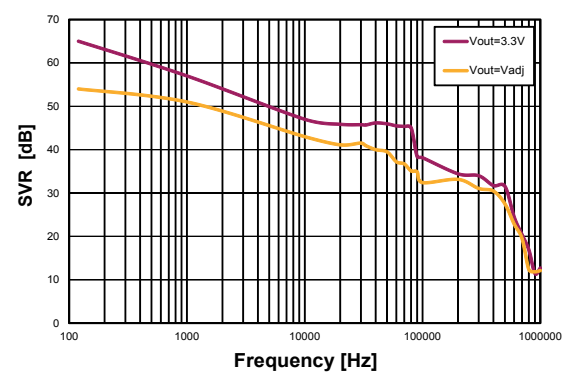
AM14052V1

Figure 21. Short-circuit current vs. input voltage

 $V_{OUT} = 3.3 \text{ V}, T = 25^\circ \text{C}$

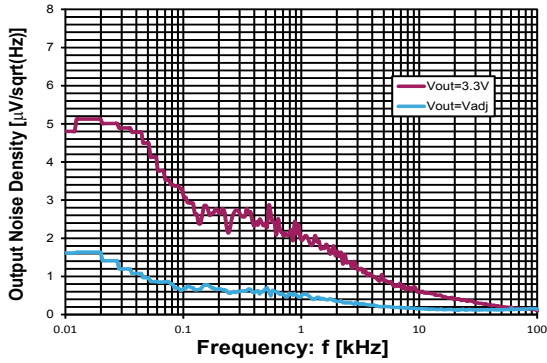
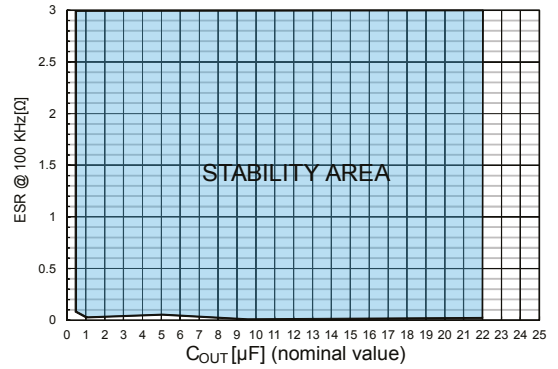
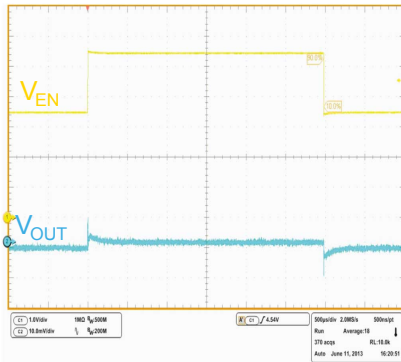
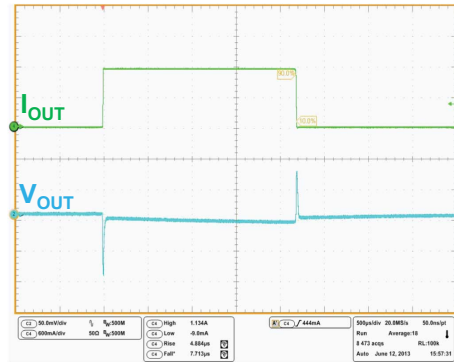
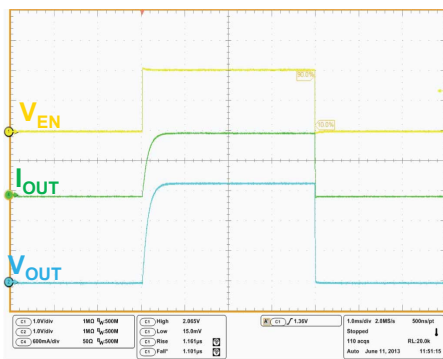
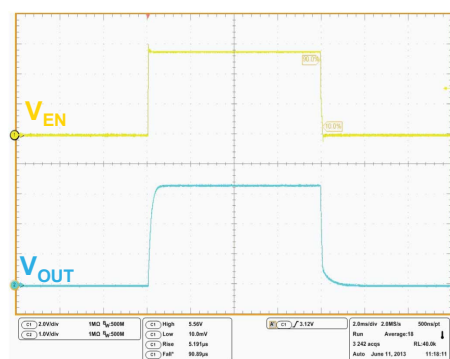
AM14053V1

Figure 22. Enable thresholds vs. temperature

 $V_{IN} = 3.8 \text{ V}$

AM14054V1

Figure 23. SVR vs. frequency

 $V_{IN} = 1.6 \text{ V or } 3.8 \text{ V } \pm 200 \text{ mV}, I_{OUT} = 10 \text{ mA}, C_{OUT} = 1 \mu \text{ F}$

AM14055V1

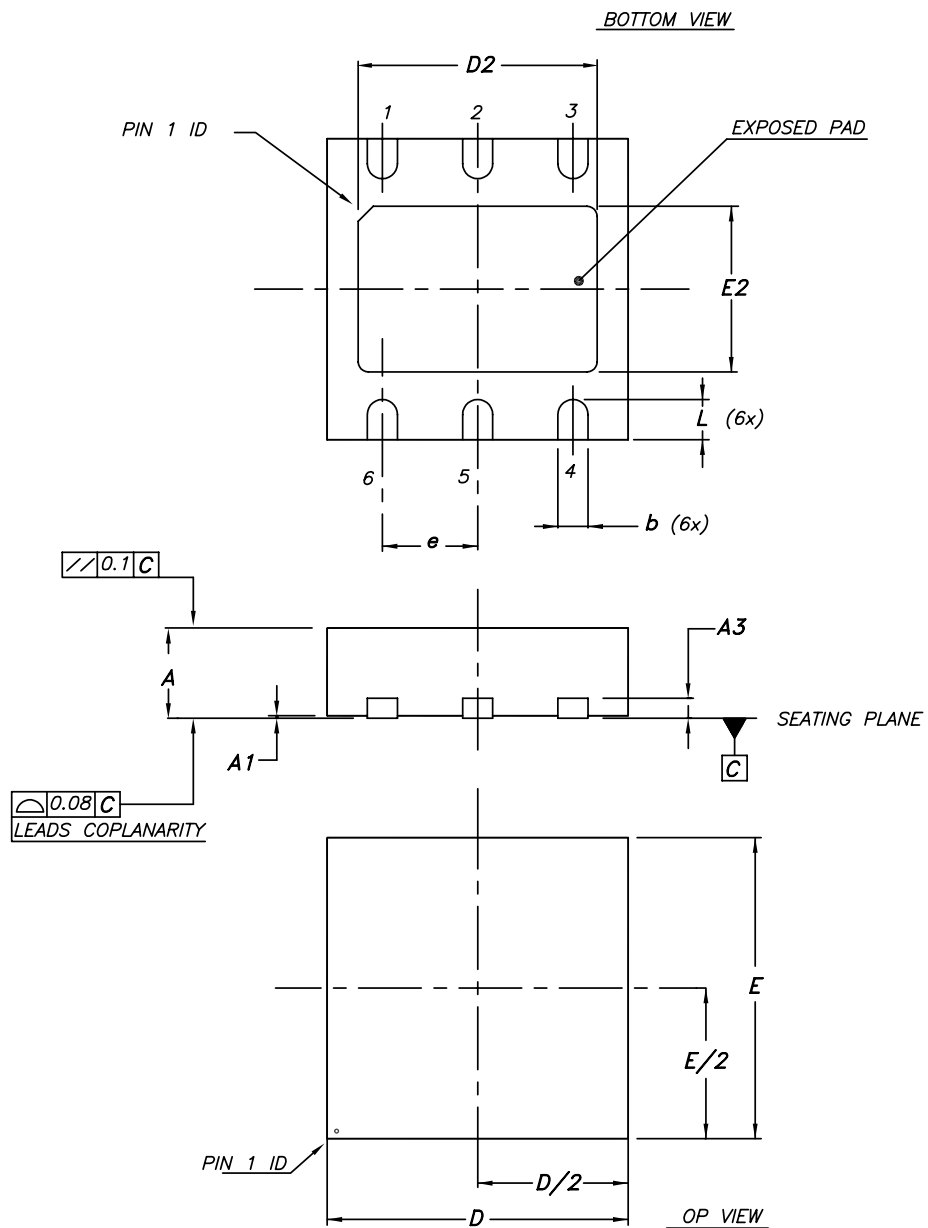
Figure 24. Output noise spectral density

 $V_{IN} = 1.6V \text{ or } 3.8V, C_{IN} = C_{OUT} = 1\mu F$ **AM14057V1**
Figure 25. Stability plan vs. C_{OUT} , ESR

 V_{IN} from 2 to 5.5V, I_{OUT} from 0 to 1.2A, $C_{IN} = 1\mu F$ **AM14057V2**
Figure 26. Line transient

 V_{IN} from 3.5V to 5.5V, $V_{EN} = 2V, I_{OUT} = 10mA, V_{OUT} = 3.3V, C_{OUT} = 1\mu F, t_r = t_f = 5\mu s$
AM14058V1
Figure 27. Load transient

 $V_{IN} = V_{EN} = 4V, I_{OUT}$ from 5mA to 1.2A, $V_{OUT} = 3.3V, t_r = t_f = 5\mu s$
AM14059V1
Figure 28. Enable transient

 $V_{IN} = 4V, V_{EN} = 0V \text{ to } 2V, I_{OUT} = 1.2A, V_{OUT} = 3.3V, t_r = t_f = 1\mu s$
AM14060V1
Figure 29. Turn-on time

 $V_{IN} = V_{EN}$ from 0V to 5.5V, $I_{OUT} = 5mA, V_{OUT} = 3.3V, t_r = t_f = 5\mu s$
AM14061V1

8 Package mechanical data

In order to meet environmental requirements, ST offers these devices in different grades of ECOPACK[®] packages, depending on their level of environmental compliance. ECOPACK[®] specifications, grade definitions and product status are available at: www.st.com. ECOPACK[®] is an ST trademark.

8.1 DFN6 (3x3) package information

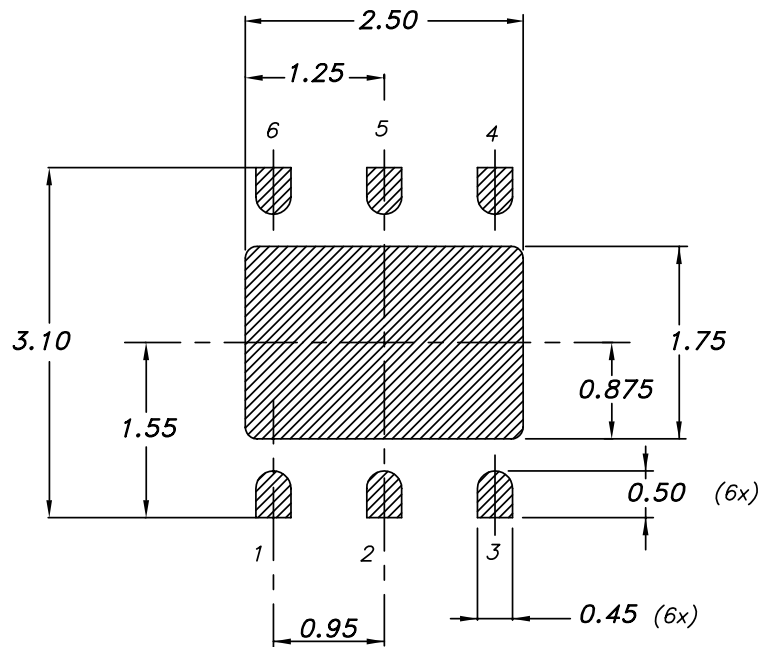
Figure 30. DFN6 (3x3) package outline



7946637_C

Table 6. DFN6 (3x3) mechanical data

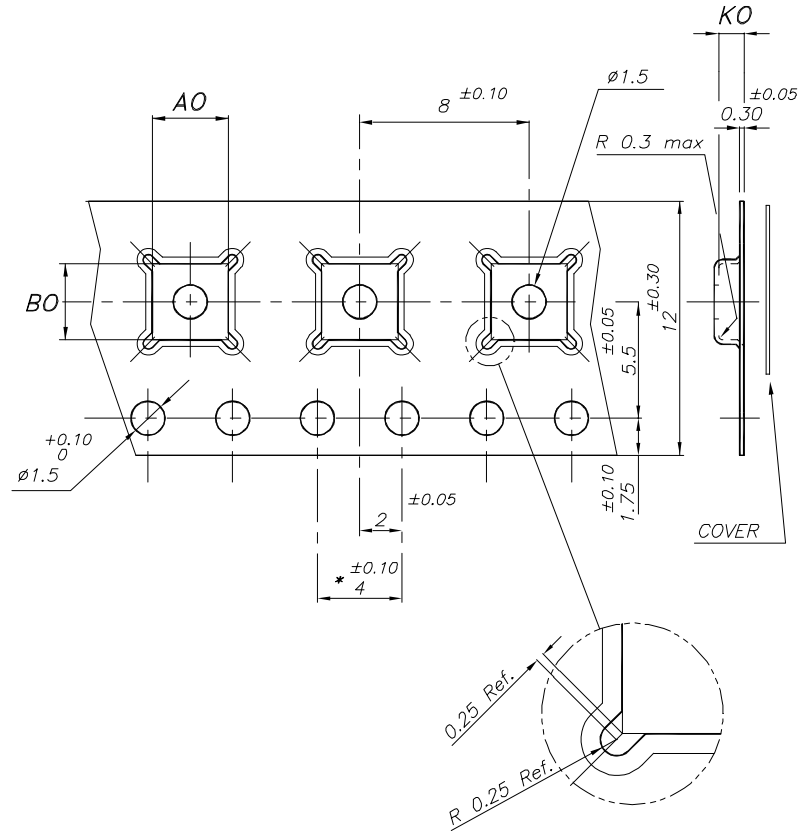
Dim.	mm		
	Min.	Typ.	Max.
A	0.80		1
A1	0	0.02	0.05
A3		0.20	
b	0.23		0.45
D	2.90	3	3.10
D2	2.23		2.50
E	2.90	3	3.10
E2	1.50		1.75
e		0.95	
L	0.30	0.40	0.50

Figure 31. DFN6 (3x3) recommended footprint
FOOTPRINT RECOMMENDED


7946637_C

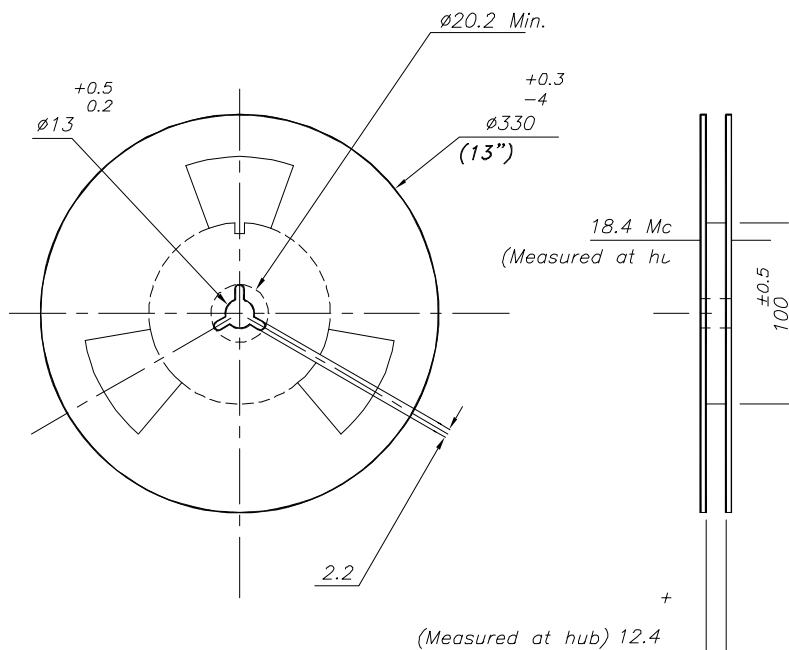
8.2 DFN6 (3x3) packing information

Figure 32. DFN6 (3x3) tape outline



* - 10 SPROCKET HOLE PITCH CUMULATIVE TOLERANCE ± 0.20

7875978_N

Figure 33. DFN6 (3x3) reel outline


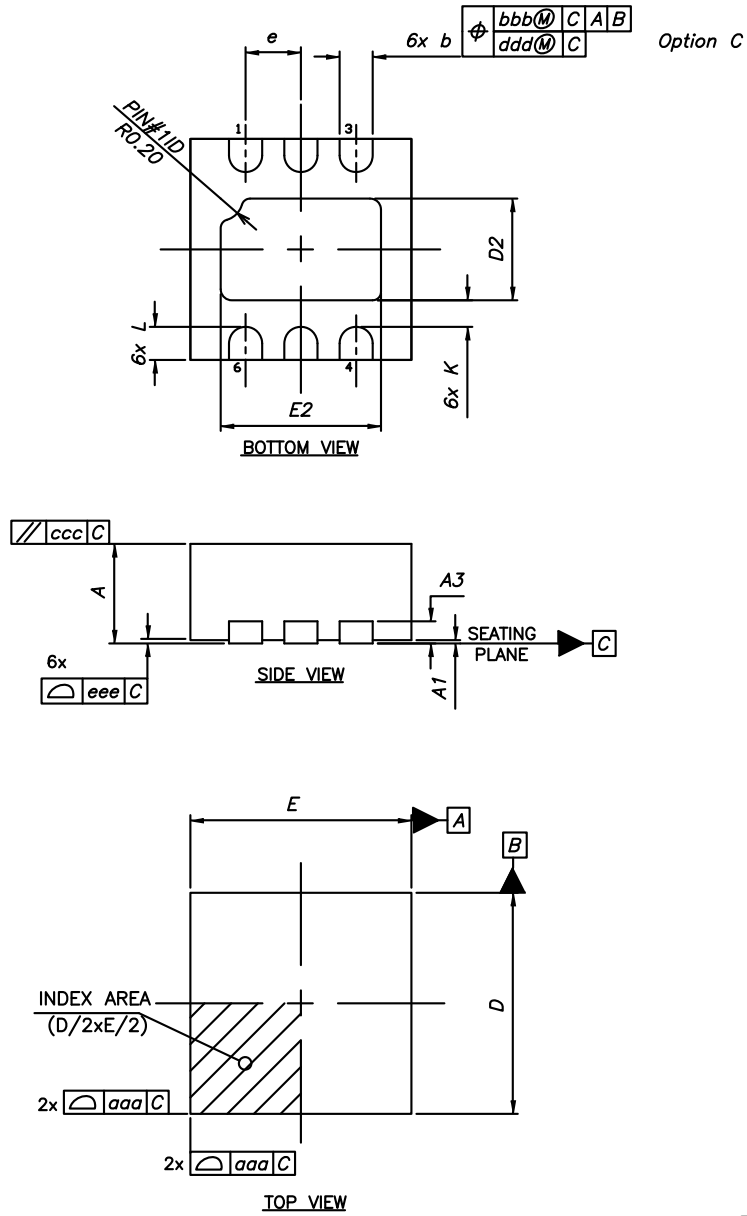
7875978_N

Table 7. DFN6 (3x3) tape and reel mechanical data

Dim.	mm		
	Min.	Typ.	Max.
A0	3.20	3.30	3.40
B0	3.20	3.30	3.40
K0	1	1.10	1.20

8.3 DFN6 (2x2) package information

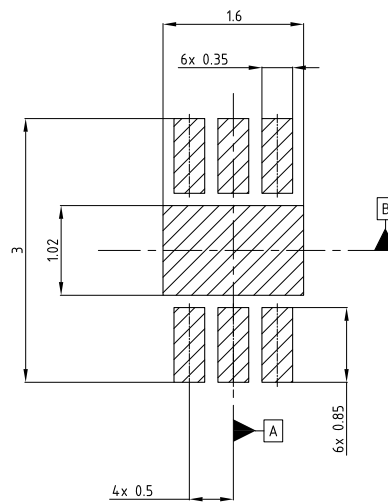
Figure 34. DFN6 (2x2) package outline



7733060

Table 8. DFN6 (2x2) mechanical data

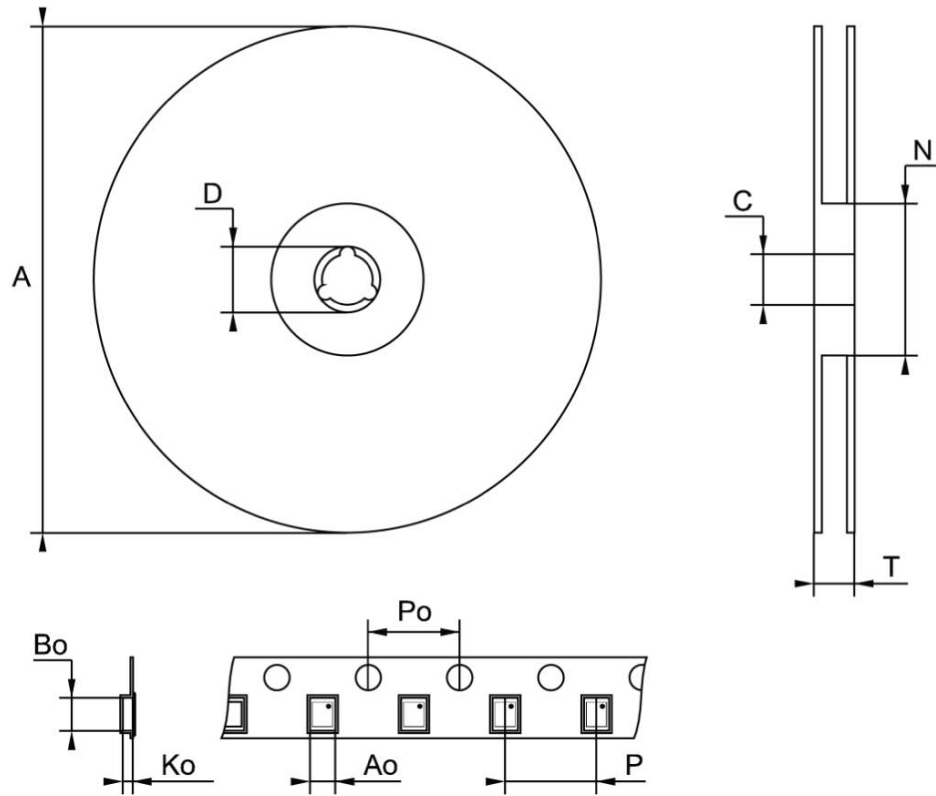
Dim.	mm		
	Min.	Typ.	Max.
A	0.70	0.75	0.80
A1	0.00	0.02	0.05
A3	-	0.203 ref	-
b	0.25	0.30	0.35
D	-	2.00	-
E	-	2.00	-
e	-	0.50	-
D2	0.77	0.92	1.02
E2	1.30	1.45	1.55
K	0.15	-	-
L	0.20	0.30	0.40
aaa	-	0.05	-
bbb	-	0.10	-
ccc	-	0.10	-
ddd	-	0.05	-
eee	-	0.08	-

Figure 35. DFN6 (2x2) recommended footprint

Notes:

- 1) This footprint is able to ensure insulation up to 32 Vrms (according to CEI IEC 664-1)
- 2) The device must be positioned within $\oplus 0.02$ A B

7733060 revE

8.4 DFN6 (2x2) packing information

Figure 36. DFN6 (2 x 2 mm) reel outline


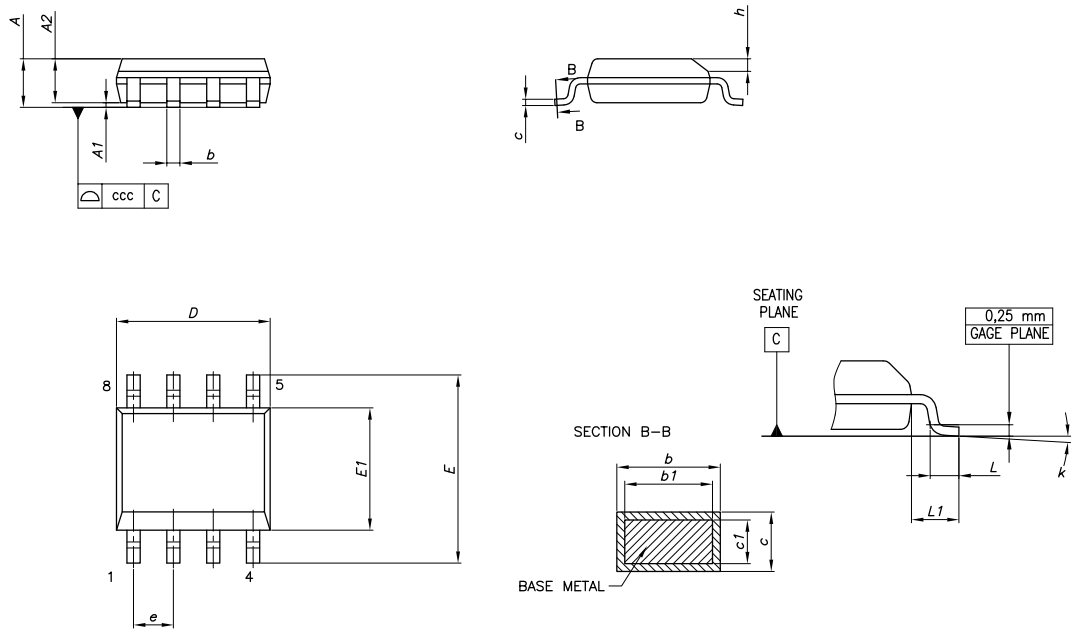
Note: Drawing not in scale

Table 9. DFN6 (2 x 2 mm) tape and reel mechanical data

Dim.	mm		
	Min.	Typ.	Max.
A			180
C	12.8		13.2
D	20.2		
N	60		
T			14.4
A0		2.4	
B0		2.4	
K0		1.3	
P0		4	
P		4	

8.5 SO8 package information

Figure 37. SO-8 batwing package outline

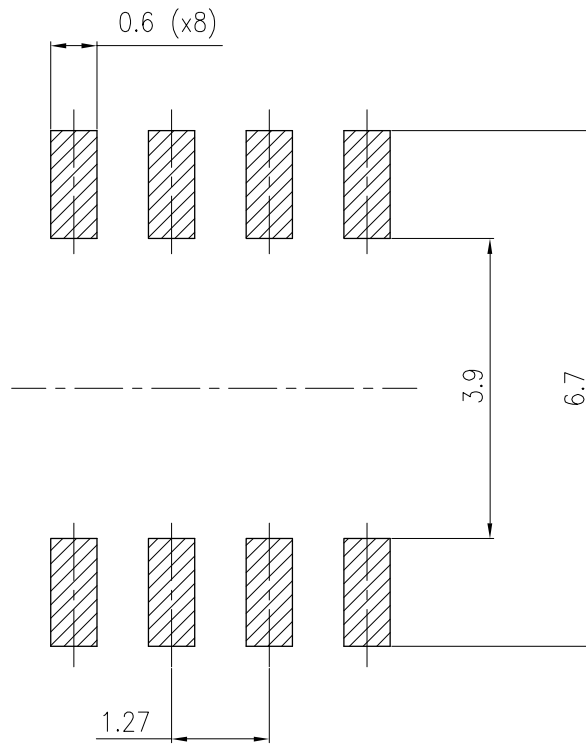


0016023_G

Table 10. SO-8 batwing mechanical data

Dim.	mm		
	Min.	Typ.	Max.
A			1.75
A1	0.10		0.25
A2	1.25		
b	0.31		0.51
b1	0.28		0.48
c	0.10		0.25
c1	0.10		0.23
D	4.80	4.90	5.00
E	5.80	6.00	6.20
E1	3.80	3.90	4.00
e		1.27	
h	0.25		0.50
L	0.40		1.27
L1		1.04	
L2		0.25	
k	0°		8°
ccc			0.10

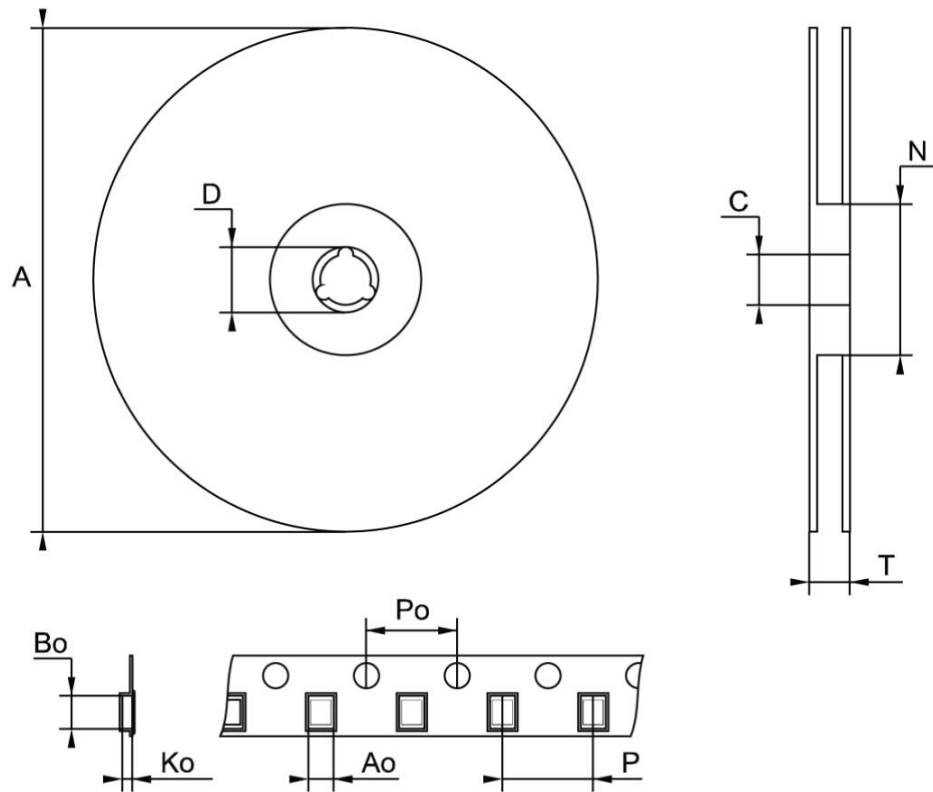
Figure 38. SO-8 batwing recommended footprint



0016023_GU

8.6 SO8-batwing packing information

Figure 39. SO8-batwing tape and reel outline



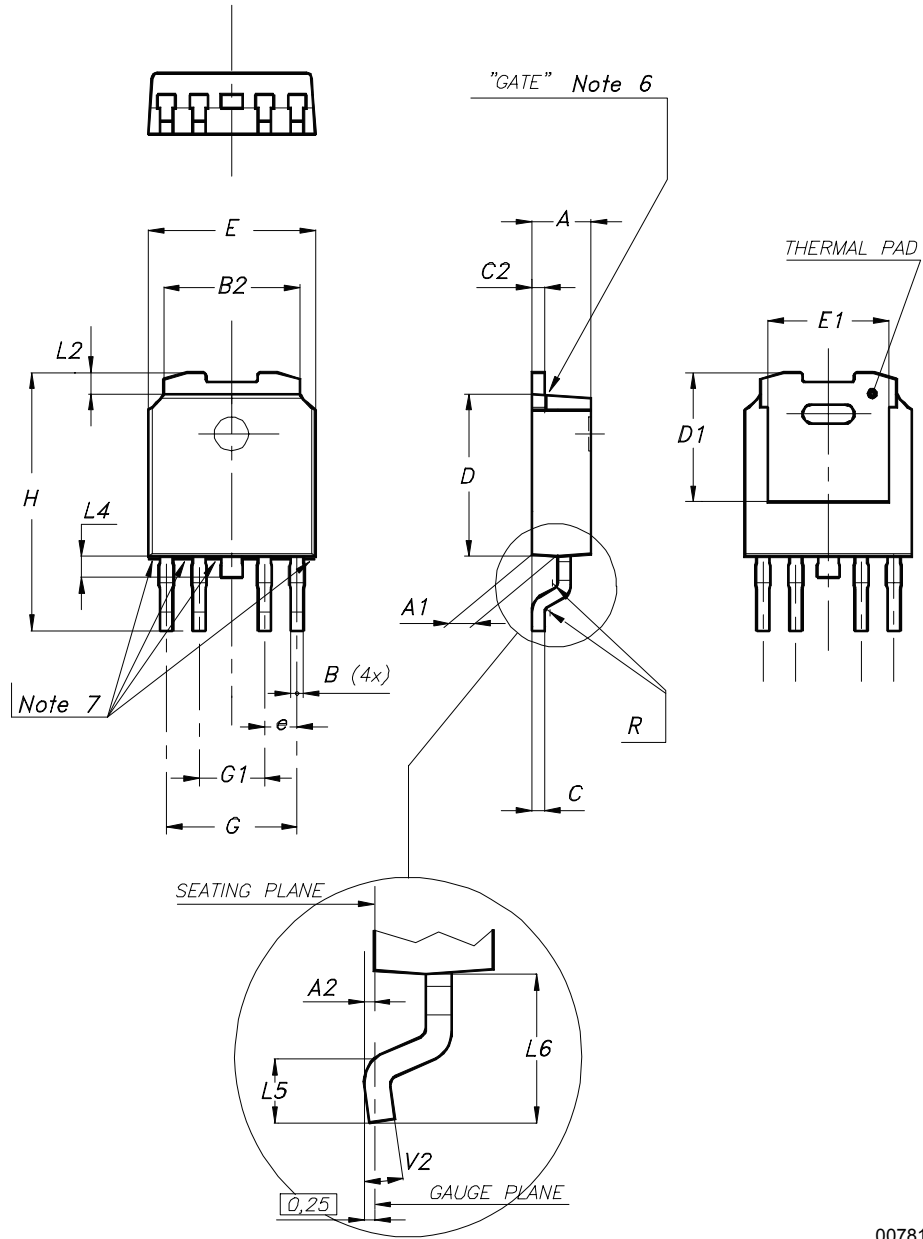
Note: Drawing not in scale

Table 11. SO8-batwing mechanical data

Dim.	mm		
	Min.	Typ.	Max.
A			330
C	12.8		13.2
D	20.2		
N	60		
T			22.4
A0	8.1		8.5
B0	5.5		5.9
K0	2.1		2.3
P0	3.9		4.1
P	7.9		8.1

8.7 PPAK package information

Figure 40. PPAK package outline



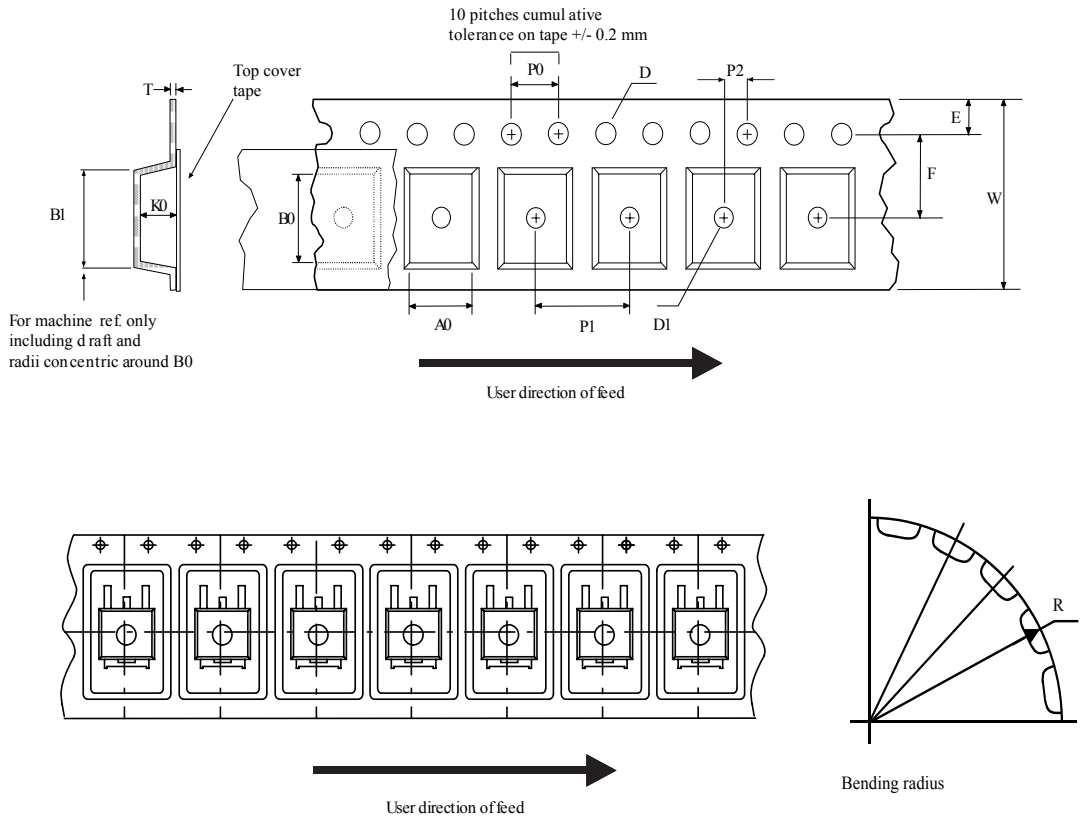
0078180_F

Table 12. PPAK mechanical data

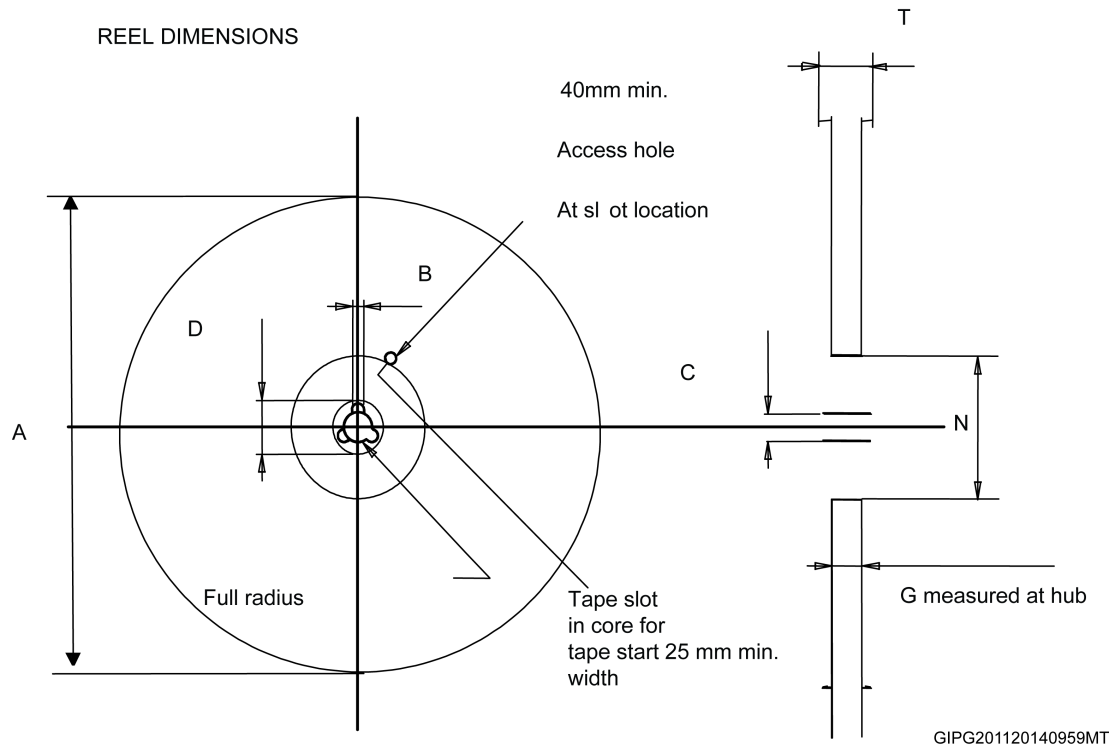
Dim.	mm		
	Min.	Typ.	Max.
A	2.2		2.4
A1	0.9		1.1
A2	0.03		0.23
B	0.4		0.6
B2	5.2		5.4
C	0.45		0.6
C2	0.48		0.6
D	6		6.2
D1		5.1	
E	6.4		6.6
E1		4.7	
e		1.27	
G	4.9		5.25
G1	2.38		2.7
H	9.35		10.1
L2		0.8	1
L4	0.6		1
L5	1		
L6		2.8	
R		0.20	
V2	0°		8°

8.8 PPAK packing information

Figure 41. PPAK tape outline



AM08852v1

Figure 42. PPAK reel outline

Table 13. PPAK mechanical data

Dim.	Tape		Dim.	Reel	
	mm			mm	
	Min.	Max.		Min.	Max.
A0	6.8	7	A		330
B0	10.4	10.6	B	1.5	
B1		12.1	C	12.8	13.2
D	1.5	1.6	D	20.2	
D1	1.5		G	16.4	18.4
E	1.65	1.85	N	50	
F	7.4	7.6	T		22.4
K0	2.55	2.75			
P0	3.9	4.1	Base qty.		2500
P1	7.9	8.1	Base qty.		2500
P2	1.9	2.1			
R	40				
T	0.25	0.35			
W	15.7	16.3			

9 Ordering information

Table 14. Order codes

DFN6 (3x3)	DFN6 (2x2)	SO8-batwing	PPAK	Output voltage (V)
LDL112PV10R	LDL112PU10R	LDL112D10R		1.0
LDL112PV12R	LDL112PU12R	LDL112D12R		1.2
LDL112PV15R				1.5
LDL112PV18R	LDL112PU18R	LDL112D18R		1.8
	LDL112PU30R			3.0
LDL112PV33R	LDL112PU33R	LDL112D33R		3.3
LDL112PVR	LDL112PUR	LDL112DR	LDL112PT-TR	Adj

Revision history

Table 15. Document revision history

Date	Revision	Changes
21-Nov-2014	1	Initial release.
28-Oct-2016	2	Updated Figure 32. DFN6 (2x2) package outline. Modified Table 9. Order codes. Minor text changes.
20-Feb-2019	3	Updated Table 14 . Order codes .

Contents

1	Diagram	2
2	Pin configuration	3
3	Typical application	4
4	Maximum ratings	5
5	Electrical characteristics	6
6	Application information	8
6.1	Thermal and short-circuit protections	8
6.2	Output voltage setting for ADJ version	8
6.3	Reverse current protection	8
7	Typical performance characteristics	9
8	Package information	13
8.1	DFN6 (3x3) package information	13
8.2	DFN6 (3x3) packing information	14
8.3	DFN6 (2x2) package information	16
8.4	DFN6 (2x2) packing information	18
8.5	SO8-batwing package information	19
8.6	SO8-batwing packing information	21
8.7	PPAK package information	22
8.8	PPAK packing information	24
9	Ordering information	27
	Revision history	28
	Contents	29
	List of tables	30
	List of figures	31

List of tables

Table 1.	Pin description	3
Table 2.	Absolute maximum ratings	5
Table 3.	Thermal data	5
Table 4.	LDL112 electrical characteristics (fixed version)	6
Table 5.	LDL112 electrical characteristics (adjustable version)	7
Table 6.	DFN6 (3x3) mechanical data	14
Table 7.	DFN6 (3x3) tape and reel mechanical data	16
Table 8.	DFN6 (2x2) mechanical data	18
Table 9.	DFN6 (2 x 2 mm) tape and reel mechanical data	19
Table 10.	SO-8 batwing mechanical data	20
Table 11.	SO8-batwing mechanical data	22
Table 12.	PPAK mechanical data	24
Table 13.	PPAK mechanical data	26
Table 14.	Order codes	27
Table 15.	Document revision history	28

List of figures

Figure 2.	Block diagram	2
Figure 3.	Pin connection DFN6 (3x3) and DFN6 (2x2) (top view)	3
Figure 4.	Pin connection PPAK and SO8 (top view)	3
Figure 5.	Typical application circuits	4
Figure 8.	Output voltage vs. temperature ($V_{OUT} = 3.3\text{ V}$, $I_{OUT} = 5\text{ mA}$)	9
Figure 9.	Output voltage vs. temperature ($V_{OUT} = 3.3\text{ V}$, $I_{OUT} = 1.2\text{ A}$)	9
Figure 10.	Output voltage vs. temperature ($V_{OUT} = V_{ADJ}$, $I_{OUT} = 5\text{ mA}$)	9
Figure 11.	Output voltage vs. temperature ($V_{OUT} = V_{ADJ}$, $I_{OUT} = 1.2\text{ A}$)	9
Figure 12.	Line regulation vs. temperature	10
Figure 13.	Load regulation vs. temperature	10
Figure 14.	Quiescent current vs. temperature ($I_{OUT} = 0\text{ mA}$)	10
Figure 15.	Quiescent current vs. temperature ($I_{OUT} = 1.2\text{ A}$)	10
Figure 16.	Shutdown current vs. temperature	10
Figure 17.	Quiescent current vs. load current	10
Figure 18.	Dropout voltage vs. temperature ($I_{OUT} = 600\text{ mA}$)	11
Figure 19.	Dropout voltage vs. temperature ($I_{OUT} = 1.2\text{ A}$)	11
Figure 20.	Dropout voltage vs. load current	11
Figure 21.	Short-circuit current vs. input voltage	11
Figure 22.	Enable thresholds vs. temperature	11
Figure 23.	SVR vs. frequency	11
Figure 24.	Output noise spectral density	12
Figure 25.	Stability plan vs. C_{out} , ESR	12
Figure 26.	Line transient	12
Figure 27.	Load transient	12
Figure 28.	Enable transient	12
Figure 29.	Turn-on time	12
Figure 30.	DFN6 (3x3) package outline	13
Figure 31.	DFN6 (3x3) recommended footprint	14
Figure 32.	DFN6 (3x3) tape outline	15
Figure 33.	DFN6 (3x3) reel outline	16
Figure 34.	DFN6 (2x2) package outline	17
Figure 35.	DFN6 (2x2) recommended footprint	18
Figure 36.	DFN6 (2 x 2 mm) reel outline	19
Figure 37.	SO-8 batwing package outline	20
Figure 38.	SO-8 batwing recommended footprint	21
Figure 39.	SO8-batwing tape and reel outline	22
Figure 40.	PPAK package outline	23
Figure 41.	PPAK tape outline	25
Figure 42.	PPAK reel outline	26