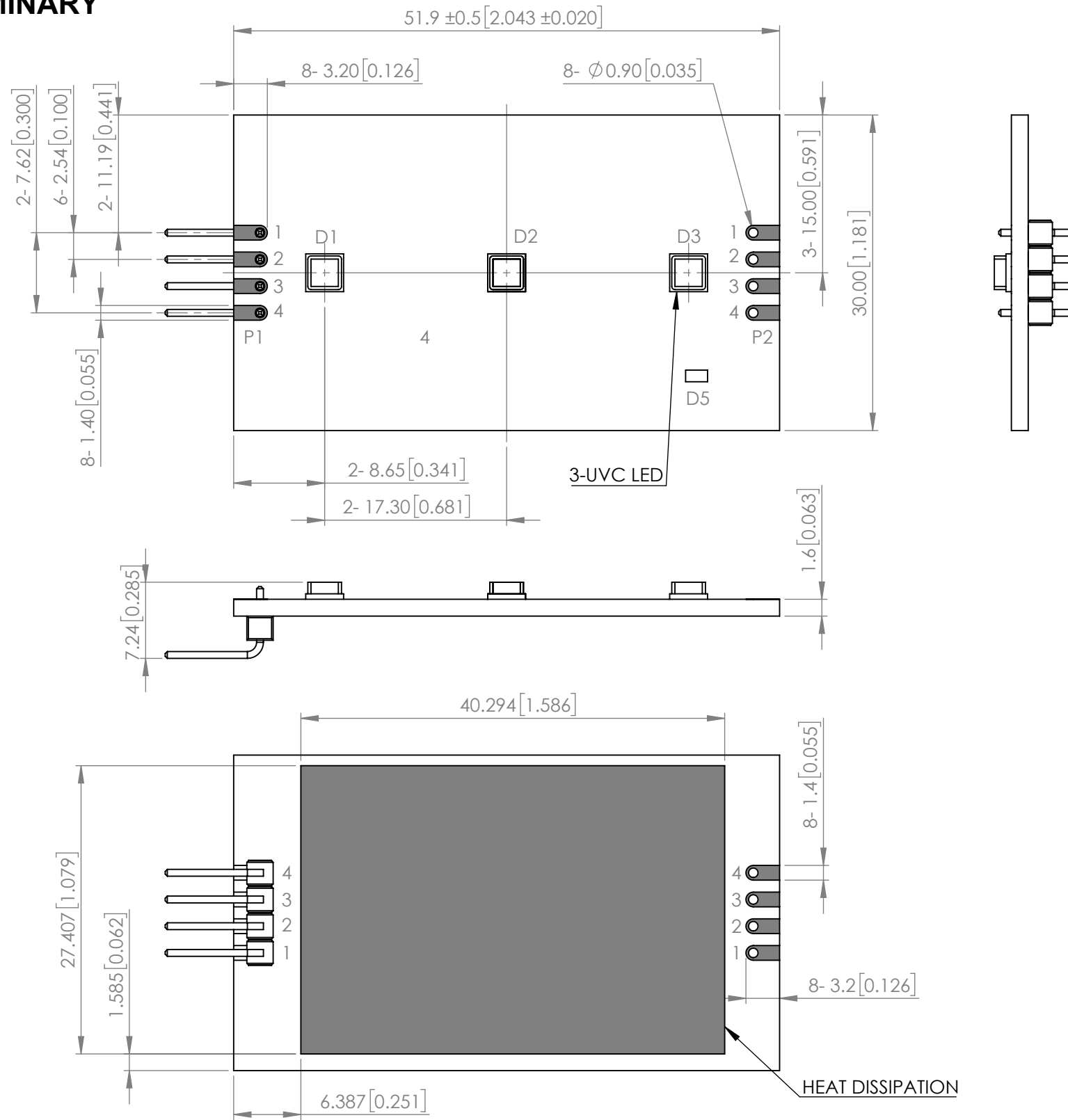


PRELIMINARY



ELECTRO-OPTICAL CHARACTERISTIC TA=25°C

PARAMETER	MIN	TYP	MAX	UNITS
PEAK WAVELENGTH (SINGLE LED)	265	-	285	nm
FORWARD VOLTAGE (SINGLE LED)	5	-	7	Vf
RADIANT FLUX (SINGLE LED)	-	10	-	mW
EMITTED COLOR	UV			
LENS MATERIAL	GLASS			

ABSOLUTE MAXIMUM RATINGS TA=25°C

PARAMETER	MAX	UNITS
MAXIMUM FORWARD CURRENT	450	mA
FORWARD CURRENT	300	mA
POWER DISSIPATION	2.97	W
STORAGE TEMPERATURE	-40~+100	°C
OPERATING TEMPERATURE	-40~+60	°C

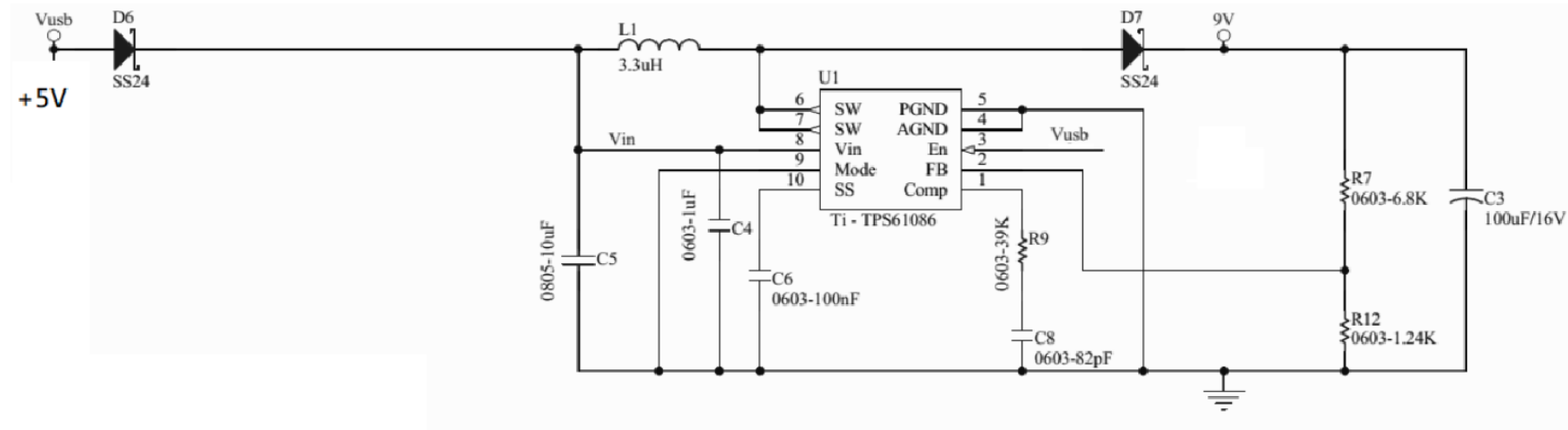
PIN ASSIGNMENT

P1		P2	
NO.	SYMBOL	NO.	SYMBOL
1	SENSE	1	NC
2	+9V	2	+9V
3	SWPWMX	3	NC
4	GND	4	GND

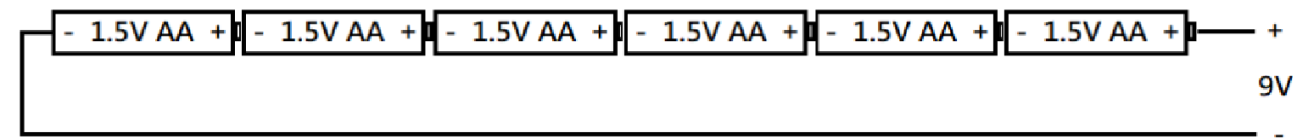
*UNLESS OTHERWISE SPECIFIED TOLERANCES PER DECIMAL PRECISION ARE: X=±1 (±0.039), X.X=±0.5 (±0.020), X.XX=±0.25 (±0.010), X.XXX=±0.127 (±0.005). LEAD SIZE=±0.05 (±0.002), LEAD LENGTH=±0.75 (±0.030). MIN= ^{+DECIMAL PRECISION}/_{-0.00} MAX.= ^{+0.00}/_{-DECIMAL PRECISION}

POWER SUPPLY RECOMMAND

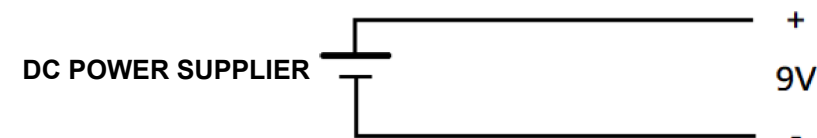
TYPE1 :




TYPE2 :



TYPE3 :



*UNLESS OTHERWISE SPECIFIED TOLERANCES PER DECIMAL PRECISION ARE: X=±1 (±0.039), X.X=±0.5 (±0.020), X.XX=±0.25 (±0.010), X.XXX=±0.127 (±0.005). LEAD SIZE=±0.05 (±0.002), LEAD LENGTH=±0.75 (±0.030). MIN= ^{+DECIMAL PRECISION}/_{-0.00} MAX.= ^{+0.00}/_{-DECIMAL PRECISION}

 <p>425 N. GARY AVE. CAROL STREAM, IL 60188 PHONE : 800-278-5666 FAX : 630-315-2150 WEB : WWW.LUMEX.COM</p>	3.6(L)*3.6(W)mm, THREE UVC LED MODULE, DC 8V~9V INPUT	DATE : 2020.04.10	DRAWN BY : C.C.	
	THE SPECIFICATIONS MAY CHANGE AT ANY TIME WITHOUT NOTICE.	PAGE : 2 OF 2	CHKD BY : E.C.	
	CONFIDENTIAL INFORMATION THE INFORMATION CONTAINED IN THIS DOCUMENT IS THE PROPERTY OF LUMEX INC. EXCEPT AS SPECIFICALLY AUTHORIZED IN WRITING BY LUMEX INC., THE HOLDER OF THIS DOCUMENT SHALL KEEP ALL INFORMATION CONTAINED HEREIN CONFIDENTIAL AND SHALL PROTECT SAME IN WHOLE OR IN PART FROM DISCLOSURE AND DISSEMINATION TO ALL THIRD PARTIES.	SCALE : NTF	APRVD BY : --	
		UNIT : mm [INCH]		(Pb)