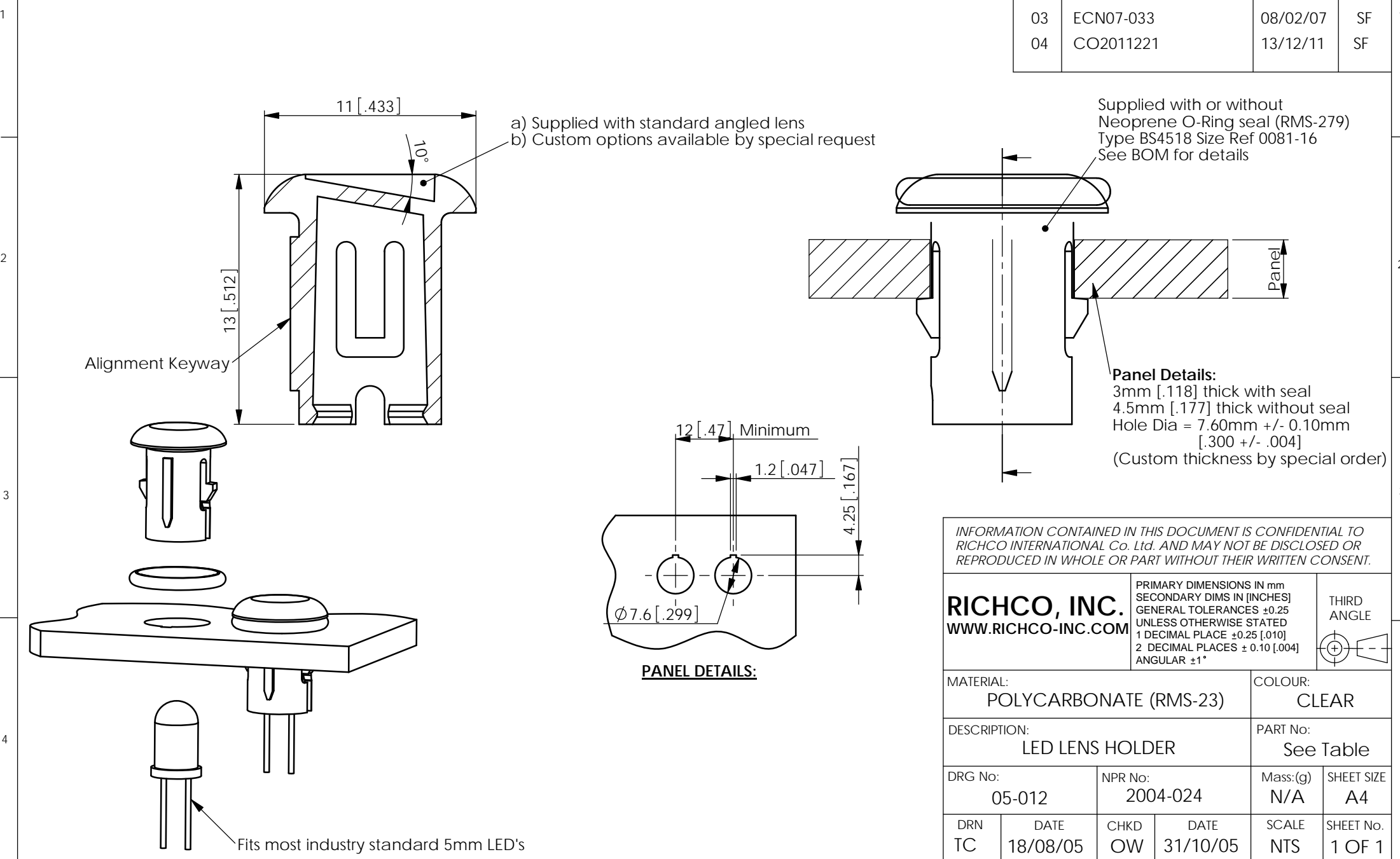


PART No	DETAILS
LEDC-1	WITHOUT O-RING SEAL
LEDC-2	ASSEMBLED WITH BLACK NEOPRENE RUBBER SEAL (RMS-279)

REV.	MODIFICATION.	DATE	DRN
01	PRODUCTION RELEASE	31/10/05	TC
02	Neoprene replaces silicon & Nitrile. LEDC-3 Removed	2/12/05	TC
03	ECN07-033	08/02/07	SF
04	CO2011221	13/12/11	SF



INFORMATION CONTAINED IN THIS DOCUMENT IS CONFIDENTIAL TO RICHCO INTERNATIONAL Co. Ltd. AND MAY NOT BE DISCLOSED OR REPRODUCED IN WHOLE OR PART WITHOUT THEIR WRITTEN CONSENT.

<b>RICHCO, INC.</b> WWW.RICHCO-INC.COM	PRIMARY DIMENSIONS IN mm SECONDARY DIMS IN [INCHES] GENERAL TOLERANCES ±0.25 UNLESS OTHERWISE STATED 1 DECIMAL PLACE ±0.25 [.010] 2 DECIMAL PLACES ± 0.10 [.004] ANGULAR ±1°	THIRD ANGLE 

MATERIAL: POLYCARBONATE (RMS-23)		COLOUR: CLEAR	
DESCRIPTION: LED LENS HOLDER		PART No: See Table	
DRG No: 05-012	NPR No: 2004-024	Mass:(g) N/A	SHEET SIZE A4
DRN TC	DATE 18/08/05	CHKD OW	DATE 31/10/05
SCALE NTS		SHEET No. 1 OF 1	