

Honeywell Pressure Switches

HP, HE, MH, ME, LP, LE, 5000, and 1000 Series

50094081

Issue 5

Datasheet



DESCRIPTION

The Honeywell Pressure Switch portfolio consists of:

- High Pressure (HE/HP Series)
- Medium Pressure (ME/MH Series)
- Low Pressure (LE/LP Series)
- 5000 Series, 1000 Series

These pressure switches are durable, reliable electromechanical gauge pressure on/off switches that are available with either single pole single throw (SPST) normally open or normally closed circuitry, or single pole double throw (SPDT) circuitry. Their high proof pressure and burst pressure ratings can allow for use in many rugged applications that require the making or breaking of an electrical connection in response to a pressure change of the system media.

DIFFERENTIATION

- **Through optional smart diagnostic technology, Honeywell pressure switches are able to detect failures such as open circuits, cut wires, worn insulation, and more⁶**
- Optional smart diagnostic technology allows up to four segregated signal amplitudes to perform diagnostics and status⁶
- Pressure port snubber suppresses pressure spikes²
- IP67 sealing provides enhanced durability in harsh environmental and washing applications¹

VALUE TO CUSTOMERS

- Designed to provide resistance to corrosion and enhances equipment life with available two million life cycle rating and IP67 rating¹
- Can expedite design and product cycle due to ability to receive samples in two weeks and production units in four weeks
- Can reduce tooling, service, and manufacturing labor costs due to standard connections, extended product life, and expedited design and production cycle

FEATURES

- Pressure switching set point range: 3.5 psi to 4500 psi
- Proof pressure: from 500 psi up to 10,000 psi
- Burst pressure: from 1250 psi up to 20,000 psi
- Life cycle rating up to 2 million
- IP67 sealing rating⁴
- Operating temperature: -40 °C to 120 °C [-40 °F to 248 °F]
- Hysteresis option⁵
- More than 15 pressure port options and over 30 electrical terminations
- Plated steel, brass or stainless steel options³
- Switching point accuracy up to $\pm 2\%$

POTENTIAL APPLICATIONS



- Agricultural machinery
- Heavy duty construction machinery and trucks
- Lawn & garden machinery
- Marine vessels
- Material handling machinery
- Railway

- CNC machines
- Compressors/boilers
- Fracking equipment
- Food & beverage equipment
- Generators
- HVAC/R equipment
- Mud pumps
- Pneumatic equipment
- Presses/punches
- Pressure washers
- Trash compactors
- Water pumps & jet cutting machines

PORTFOLIO

Honeywell also offers the [PBN1 Series](#) and [PBN3 Series](#) Pressure Sensor.

¹ HP, HE, MH, ME, LP, LE Series

² HP, HE Series

³ ME, MH, LP, LE Series

⁴ HP, HE, LP, LE, ME Series

⁵ HP, HE, LP Series

⁶ HP, HE, ME, LP, LE Series

Honeywell Pressure Switches, HP, HE, MH, ME, LP, LE, 5000, 1000 Series

Table 1. Specifications

| Characteristic | HP Series | HE Series | ME Series | MH Series | LP Series | LE Series | 5000 Series | 1000 Series |
|--|---|---|---|--|---|---|--|--|
| Product length (various terminations) | see pages 5 and 6 | see page 5 | see page 8 | see page 7 | see page 9 | see page 9 | see page 10 | - |
| Product length (blade) | see pages 5 and 6 | see page 5 | see page 8 | see page 7 | see page 9 | see page 9 | 58,42 mm [2.3 in] | 65,6 mm [2.583 in] |
| Product length (#8-32 screws) | see pages 5 and 6 | see page 5 | see page 8 | see page 7 | see page 9 | see page 9 | 60,96 mm [2.4 in] | - |
| Product length (Metripack) | see pages 5 and 6 | see page 5 | see page 8 | see page 7 | see page 9 | see page 9 | 73,66 mm [2.9 in] | - |
| Hex size | 27 mm | 27 mm | 27 mm | 27 mm | 27 mm | 27 mm | 0.50 in (steel) 0.437 in (brass) | M10 x 1.25 banjo fitting |
| Ease of installation | box spanner | box spanner | box spanner | box spanner | box spanner | box spanner | 1/2 in open spanner | 18 mm open spanner |
| Snap-action switch | yes | yes | no | no | yes | no | no | no |
| Set point ¹ range | 100 psi to 4500 psi | 150 psi to 4500 psi | 25 psi to 350 psi | 40 psi to 500 psi | 3.5 psi to 150 psi | 3.5 psi to 150 psi | 75 psi to 150 psi | 10 psi to 60 psi [0,69 bar to 2,7 bar] |
| Set point ranges | 6 (Base Style A) 7 (Base Style B) | 6 | 4 | 4 | 4 | 4 | 8 | - |
| Set point accuracy @ 25 °C (before test) | 100 psi to 150 psi (±10 %); 150 psi to 500 psi (±6 %); 501 psi to 4000 psi (±3.5 %); 4000 psi to 4500 psi (±2 %) | 150 psi to 1000 psi (±14 %); 1000 psi to 2000 psi (±1.2 %); 2000 psi to 4000 psi (±1.1 %); >4000 psi (±10 %) | 25 psi to 50 psi (±3 psi); >50 psi to 100 psi (±7 psi); >100 psi to 150 psi (±10 psi); >150 psi to 250 psi (±13 psi); >250 psi to 350 psi (±16 psi) | 40 psi to 70 psi (±7 psi); >70 psi to 130 psi (±10 psi); >130 psi to 200 psi (±15 psi); >200 psi to 280 psi (±20 psi); >280 psi to 350 psi (±30 psi); >350 psi to 500 psi (±40 psi) | 3.5 psi to 10 psi (±1 psi); >10 psi to 50 psi (±3 psi); >50 psi to 100 psi (±7 psi); >100 psi to 150 psi (±10 psi) | | 0.5 psi to 1 psi (±0.3 psi); 1.1 psi to 3 psi (±0.5 psi); 3.1 psi to 7 psi (±1 psi); 8 psi to 13 psi (±2 psi); 14 psi to 24 psi (±3 psi); 25 psi to 50 psi (±5 psi); 51 psi to 90 psi (±7 psi); 91 psi to 150 psi (±10 psi) | 20 psi ±10 psi; 58 psi ±20 psi |
| Average dead-band max. | n/a | n/a | 25 psi to 50 psi (20 psi); >50 psi to 100 psi (30 psi); >100 psi to 150 psi (40 psi); >150 psi to 250 psi (50 psi); >250 psi to 350 psi (60 psi) | 40 psi to 70 psi (±6 psi); >70 psi to 130 psi (±10 psi); >130 psi to 200 psi (±15 psi); >200 psi to 280 psi (±20 psi); >280 psi to 350 psi (±30 psi); >350 psi to 500 psi (±40 psi) | n/a | 3.5 psi to 10 psi (±2.8 psi); >10 psi to 50 psi (±14 psi); >50 psi to 100 psi (±38 psi); >100 psi to 150 psi (±40 psi) | 0.5 psi to 3 psi (±1.5 psi); 4 psi to 7 psi (±2.5 psi); 8 psi to 13 psi (±3.5 psi); 14 psi to 24 psi (±8 psi); 25 psi to 50 psi (±15 psi); 51 psi to 90 psi (±23 psi); 91 psi to 150 psi (±40 psi) | n/a |
| Operating pressure ² | 5,000 psi max. | 5,000 psi max. | 500 psi max. | 600 psi max. | 250 psi max. | 250 psi max. | 150 psi, 250 psi | 1400 psi [96,5 bar] max. |
| Proof pressure ³ | 10,000 psi (Base Style A) 6,500 psi (Base Style B) | 10,000 psi | 4,000 psi | 6,000 psi | 500 psi | 500 psi | 500 psi | 2973 psi [205 bar] |
| Hysteresis | 5 % to 55 % (based on set point range) | 3 % to 65 % (based on set point range) | n/a | n/a | 5 % to 55 % (based on set point range) | n/a | n/a | n/a |
| Burst pressure ⁴ | 20,000 psi (Base Style A); 9,000 psi (Base Style B) | 20,000 psi | 8,000 psi | 9,000 psi | 1250 psi | 1250 psi | 4000 psi | 3500 psi [241 bar] |
| Current rating (resistive) | 5 A at 250 Vac 5 A at 24 Vdc | 3 A at 250 Vac 3 A at 24 Vdc | 7.5 mA to 3 A, 24 Vdc and 250 Vac | 100 mA to 3 A max. | 7.5 mA to 5 A, 24 Vdc and 250 Vac | 7.5 mA to 3 A, 24 Vdc and 250 Vac | 15 A, 6 Vdc; 8 A, 12 Vdc; 4 A, 24 Vdc | 12 Vdc with two-1157 bulbs (4.4 A) |
| Current rating (inductive) | 5 A at 115 Vac (SX rating); 3 A at 28 Vdc | n/a | n/a | n/a | 1 A at 28 Vdc | n/a | 1 A, 120 Vac 0.5 A, 240 Vac | n/a |

¹Port Style C: Switches less than 975 psi will use Base Style B; switches greater than 975 psi will use Base Style A.

Port Styles F and G: Switches less than 350 psi will use Base Style B; switches greater than 350 psi will use Base Style A.

Port Styles A, B, E, M, P, T, and Y will use Base Style B.

Switches less than 150 psi will only use Base Style B.

Honeywell Pressure Switches, HP, HE, MH, ME, LP, LE, 5000, 1000 Series

| Characteristic | HP Series | HE Series | ME Series | MH Series | LP Series | LE Series | 5000 Series | 1000 Series | |
|--|---|---|---|--|--|--|--|---|---------------|
| Rated thermal current | 5 A | 3 A | 3 A | n/a | 5 A | 3 A | n/a | n/a | |
| Rated insulation voltage | 28 V | 28 V | 28 V | n/a | 28 V | 28 V | n/a | n/a | |
| Short-circuit protective device c-type max. rating | Class J fuse (10 A, 600 V) | | | n/a | Class J fuse (10 A, 600 V) | | n/a | n/a | |
| Conditional short circuit current | 1000 A | | | n/a | 1000 A | 1000 A | n/a | n/a | |
| Pollution degree | 3 (macro environment) | | | n/a | 3 (macro environment) | | n/a | n/a | |
| Temperature rating | -40 °C to 120 °C [-40 °F to 248 °F] | -40 °C to 85 °C [-40 °F to 185 °F] | -40 °C to 120 °C [-40 °F to 248 °F] | | | | -40 °C to 121 °C [-40 °F to 250 °F] | -20 °C to 74 °C [-4 °F to 165 °F] | |
| Media connection | multiple ports available | multiple ports available | multiple ports available | | | | 1/8-27 NPT male thread | multiple ports available | |
| Pressure ports | Refer to product nomenclature for pressure port types. | | A = 1/4-18 NPT B = 1/8-27 NPT C = 1/2-20 UNF D = 1/8-27 PTF E = M12 × 1.5 F = M14 × 1.5 G = 9/16-18 UNF H = 3/4-16 UNF J = G1/8 BSPP K = M18 × 1.5 N = 7/8-14 UNF | A = 1/4-18 NPT B = 1/8-27 NPT C = 1/2-20 UNF D = 1/8-27 PTF E = M12 × 1.5 F = M14 × 1.5 G = 9/16-18 UNF H = 3/4-16 UNF J = G1/8 BSPP L = 3/8-24 UNF M = 7/16-20 UNF P = 1/2-14 NPT R = R1/8 BSPT T = M10 × 1.0 V = R1/2 BSPT Y = G1/4 BSPP Z = R1/4 BSPT | A = 1/4-18 NPT B = 1/8-27 NPT C = 1/2-20 UNF D = 1/8-27 PTF E = M12 × 1.5 F = M14 × 1.5 G = 9/16-18 UNF H = 3/4-16 UNF J = G1/8 BSPP M = 7/16-20 UNF R = R1/8 BSPT T = M10 × 1.0 V = R1/2 BSPT Y = G1/4 BSPP Z = R1/4 BSPT | A = 1/4-18 NPT B = 1/8-27 NPT C = 1/2-20 UNF D = 1/8-27 PTF E = M12 × 1.5 F = M14 × 1.5 G = 9/16-18 UNF H = 3/4-16 UNF J = G1/8 BSPP M = 7/16-20 UNF R = R1/8 BSPT T = M10 × 1.0 V = R1/2 BSPT Y = G1/4 BSPP Z = R1/4 BSPT | 1/8-27 NPT | M10 × 1.25 double banjo; M10 × 1; 1/8-27 NPT | |
| Circuit forms ⁵ | SPDT, SPST - NO/NC | | SPDT, SPST - NO/NC | SPST - NO/NC | SPDT, SPST - NO/NC | SPDT, SPST - NO/NC | SPST-NO; SPST-NC | SPNO | |
| Smart pressure | single- or dual-resistor topology available | | | - | single- or dual-resistor topology available | | - | - | |
| Life | 2 million (Base A) 1 million (Base B) | 1 million | 1 million | 1 million | 2 million | 1 million | 100,000 cycles | 100,000 cycles | |
| Agency approvals (special use switches) | - | - | - | - | - | - | UL Custom (select models) | - | |
| Agency approvals (other) | CE | CE | CE | CE | CE | CE | - | - | |
| Field adjustability ⁶ | no | no | yes | yes | yes | yes | yes | no | |
| Spike dampening | yes | yes | no | no | no | no | no | no | |
| Ingress protection ⁷ | IP67 (connectors) IP67 (wire/Base A) IP69K (wire/Base B) IP00 (blade/screw) | IP67 (connectors) IP00 (blade/screw) | IP67 (connectors) IP67 (wire out) IP00 (blade/screw) | IP67 (connectors) IP00 (blade/screw) | IP67 (connectors) IP67 (wire out) IP00 (blade/screw) | IP67 (connectors) IP67 (wire out) IP00 (blade/screw) | IP00 | IP65 | |
| Vibration resistance | swept sine: 10 Hz to 2000 Hz at 15 g, 20 min/sweep; 8 hours in each axis random: 5 Hz to 2000 Hz, 8 hours/axis; 14,88 g-RMS, each axis | | | | | | - | - | |
| Shock resistance | 500 m/sec ² , 11 mSEC, 100 shocks / axis | | 500 m/sec ² , 11 mSEC | | | | | - | 15 G @ 5 mSEC |
| Wetted part (diaphragm) | n/a | | Kapton® (Teflon® coated) | Nitrile/EPDM/LTNB | Kapton® (Teflon® coated) | Tefzel® | Polymide film | EPDM | |
| Wetted part (piston) | nitrile o-ring, steel piston | | nitrile or EPDM o-ring | nitrile or EPDM o-ring | nitrile or EPDM o-ring | nitrile or EPDM o-ring | nitrile or EPDM o-ring | EPDM | |
| Weight | 133 g [4.7 oz] (Base Style A) 178 g [6.28 oz] (Base Style B) | | 53 g [1.9 oz] | 53 g [1.9 oz] | 58 g [2.0 oz] | 53 g [1.9 oz] | 65 g [2.3 oz] | 40 g [1.4 oz] | |
| Contacts | silver / gold inlay | silver | gold plated | gold plated | gold plated | gold plated | silver-plated copper | silver-plated copper | |
| Product finish | zinc plating | zinc plating | zinc plating | zinc plating | zinc plating | zinc plating | glass reinforced polyester (housing); plated steel (base) | Rynite 545 glass filled (housing); Trivalent plated steel (base) | |

¹Set point: Point at which switch actuates or de-actuates

²Operating pressure: Maximum normal system operating pressure

³Proof pressure: Maximum pressure that the switch can handle while it maintains set point accuracy. Intermittent spikes to this level are acceptable.

⁴Burst pressure: Point of complete switch failure

⁵SPST: Single pole, single throw. SPDT: Single pole, double throw. NO: Normally open. NC: Normally closed.

⁶Field adjustability only available with AA, BA, CA, and DA (SPST only) terminations.

⁷IP00 for AA and BA terminations.

Honeywell Pressure Switches, HP, HE, MH, ME, LP, LE, 5000, 1000 Series

Table 2. Terminations

| Series | Available Terminations |
|--------------------|--|
| HP, HE, ME, LP, LE | AA = Spade Terminals BA = Screw Terminals CA = Deutsch DT04-3P-E005 (3-Pin Connector) DA = Amp Super Seal 1.5 - 282105-1 (3-Pin Connector) EA = 10-inch Cable, 18 AWG (Wire Out, No Connector) FA = 10-inch Cable w/Deutsch DT04-3P-E005 (3-Pin Connector) (16 AWG)* GA = 10-inch Cable w/Amp Super Seal 1.5 - 282105-1 (3-Pin Connector) (18 AWG)* HA = 10-inch Cable w/Metripack 280 Delphi 15300002 (2-Pin Connector) (18 AWG)* JA = 10-inch Cable w/Din43650-C (3-Pin Connector) (18 AWG)* KA = 10-inch Cable w/M12x1 (Brad Harrison Micro) - 21032121306 Harting P/N (3-Pin Connector) (18 AWG)* LA = 10-inch Cable w/Packard Weatherpack Male Terminal - 12020827 (3-Pin Connector) (18 AWG)* MA = 10-inch Cable w/Deutsch DT04-2P-E005 (2-Pin Connector) (18 AWG) NA = 3-inch Cable w/Packard 2P Tower Connector - 12015792 (2-Pin Connector) (18 AWG) PA = 2.75-inch Cable w/Packard 2P Shroud Connector - 12010973 (2-Pin Connector) (18 AWG) RA = 4-inch Cable w/Packard 2P Shroud Connector - 12010973 (2-Pin Connector) (16 AWG) SA = 5.5-inch Cable w/ITT Cannon 2P Sure-Seal Circular Connector - SS2R-120-1804-000 (2-Pin Connector) (18 AWG) TA = 8.5-inch Cable w/ITT Cannon 3P Sure-Seal Circular Connector - SS3R-120-8551-001 (3-Pin Connector) (16 AWG)* UA = 10-inch Cable - Vacuum Impregnated w/Deutsch DT06-3S-EP06 (3-Socket Connector) (16 AWG)* VA = 10-inch Cable - Vacuum Impregnated w/Deutsch DT04-3P-E005 (3-Pin Connector) (16 AWG)* WA = 4.5-inch Cable w/Blade Terminals 6,3 mm x 0,8 mm (16 AWG)* XA = 10-inch Cable w/ Metripack 2-Pin Shroud Connector 153000027 (18 AWG) YA = 6-inch Cable w/Amp Super Seal 1.5 - 282104-1 (2-Pin Connector) (18 AWG)* ZA = 10-inch Cable w/Deutsch DT06-2S-CE06 (2-Socket Connector) (18 AWG) AB = Deutsch DT04-2P-E005 (2-Pin Connector) BB = 10-inch Cable w/Metripack 150 Delphi 12129615 (3-Pin Connector) (18 AWG)* CB = 6-inch Cable w/ AMP Super Seal 1.5 - 282080-1 (2-Pin Connector) (18 AWG) DB = 10-inch Cable w/AMP 2,5 mm System Series Connector 1-967402-1 (18 AWG)* EB = 4.5-inch Cable w/Packard Shroud Connector 12015792 (2-Pin Connector) (18 AWG) FB = 10-inch Cable w/Metripack 150 Delphi 12052641 (2-Pin Connector) (18 AWG) GB = 8.5-inch Cable w/Deutsch Plug HD 16-3 96S (3-Pin Connector) (16 AWG) |
| MH | AA = Spade Terminals BA = Screw Terminals DA = Amp Super Seal 1.5 - 282105-1 (3-Pin Connector) EA = 10-inch Cable, 18 AWG (Wire Out, No Connector) HA = 10-inch Cable w/Metripack 280 Delphi 15300002 (2-Pin Connector) (18 AWG)* MA = 10-inch Cable w/Deutsch DT04-2P-E005 (2-Pin Connector) (18 AWG) NA = 3-inch Cable w/Packard 2P Tower Connector - 12015792 (2-Pin Connector) (18 AWG) PA = 2.75-inch Cable w/Packard 2P Shroud Connector - 12010973 (2-Pin Connector) (18 AWG) RA = 4-inch Cable w/Packard 2P Shroud Connector - 12010973 (2-Pin Connector) (16 AWG) SA = 5.5-inch Cable w/ITT Cannon 2P Sure-Seal Circular Connector - SS2R-120-1804-000 (2-Pin Connector) (18 AWG) WA = 4.5-inch Cable w/Blade Terminals 6,3 mm x 0,8 mm (16 AWG)* XA = 10-inch Cable w/ Metripack 2-Pin Shroud Connector 153000027 (18 AWG) YA = 6-inch Cable w/Amp Super Seal 1.5 - 282104-1 (2-Pin Connector) (18 AWG)* ZA = 10-inch Cable w/Deutsch DT06-2S-CE06 (2-Socket Connector) (18 AWG) AB = Deutsch DT04-2P-E005 (2-Pin Connector) CB = 6-inch Cable w/ AMP Super Seal 1.5 - 282080-1 (2-Pin Connector) (18 AWG) DB = 10-inch Cable w/AMP 2,5 mm System Series Connector 1-967402-1 (18 AWG)* EB = 4.5-inch Cable w/Packard Shroud Connector 12015792 (2-Pin Connector) (18 AWG) FB = 10-inch Cable w/Metripack 150 Delphi 12052641 (2-Pin Connector) (18 AWG) |

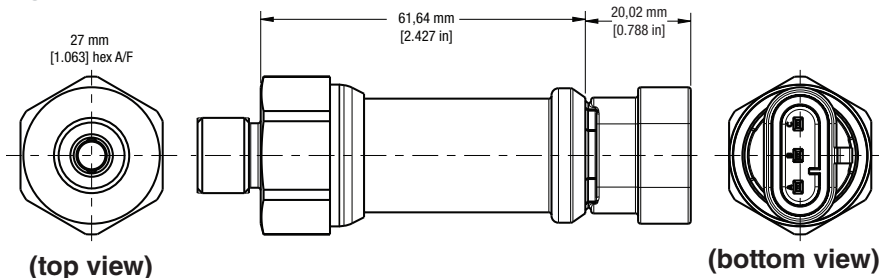
*These connectors are designed for dual circuit (SPDT) by default. They can be used for single-circuit applications (SPNC/SPNO) by making suitable connections. Refer to wiring diagram.

Honeywell Pressure Switches, HP, HE, MH, ME, LP, LE, 5000, 1000 Series

DIMENSIONS - HIGH PRESSURE: HP SERIES (BASE STYLE A), HE SERIES

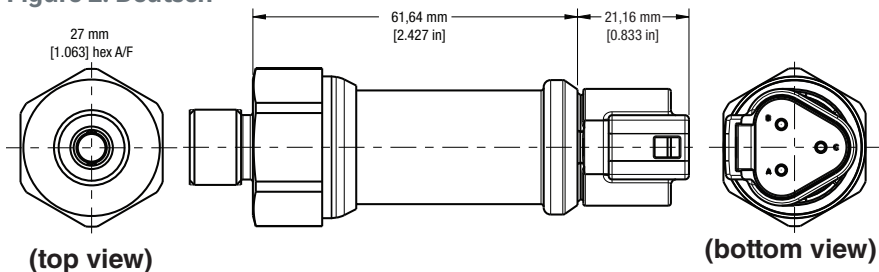
Base Style A key specifications • Life: 2 million (HP), 1 million (HE); Burst pressure: 20,000 psi

Figure 1. AMP Superseal 1.5



Female Connector Part Number (included): C-282105
Male Mating Connector (customer provided): C-282087
IP Rating: IP67

Figure 2. Deutsch



Female Connector Part Number (included): DT04-3P
Male Mating Connector (customer provided): DT06-3S
IP Rating: IP67

Figure 3. Spade Terminal

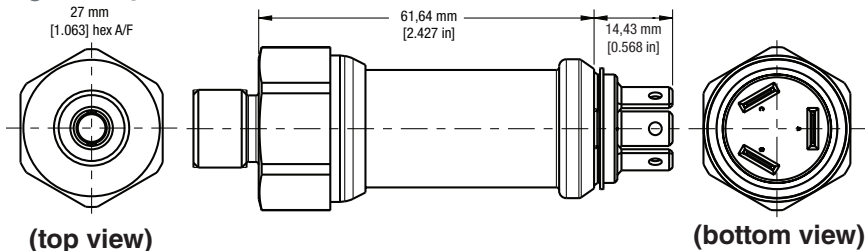


Figure 4. Screw Terminal

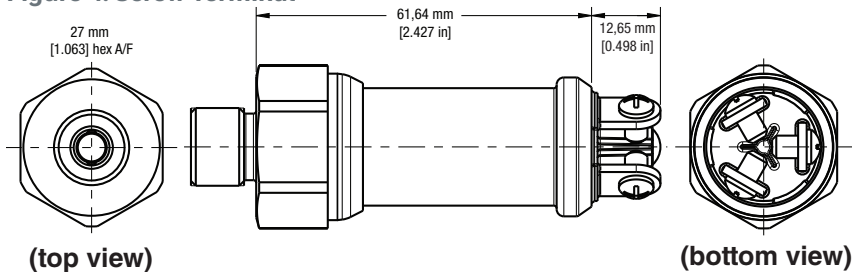
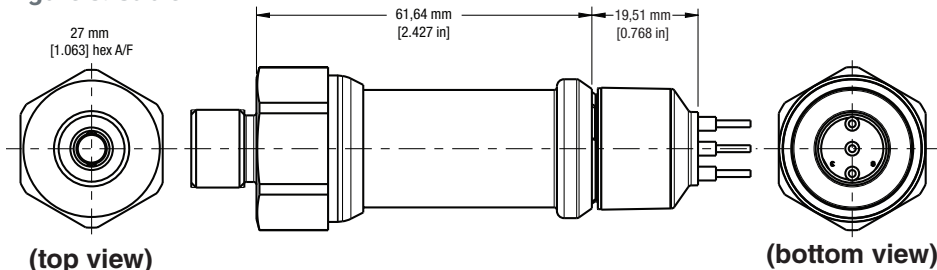


Figure 5. Cable



IP Rating: IP67

Honeywell Pressure Switches, HP, HE, MH, ME, LP, LE, 5000, 1000 Series

DIMENSIONS - HIGH PRESSURE: HP SERIES (BASE STYLE B)

Base Style B key specifications • Life: 1 million; Burst pressure: 9,000 psi

Figure 6. HP Series Base Style B

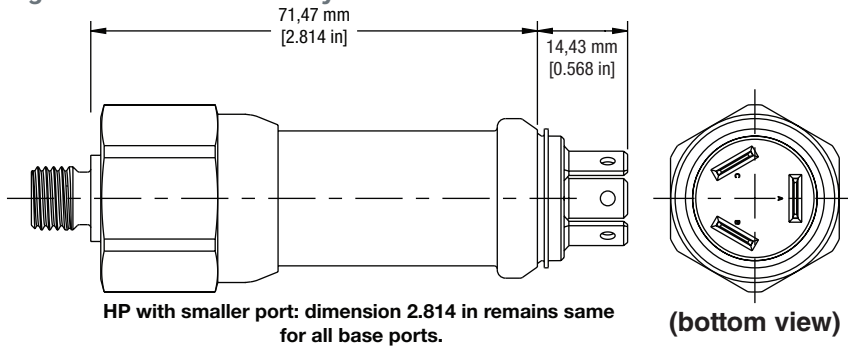


Figure 7. HP Series Pressure Port Dimensions

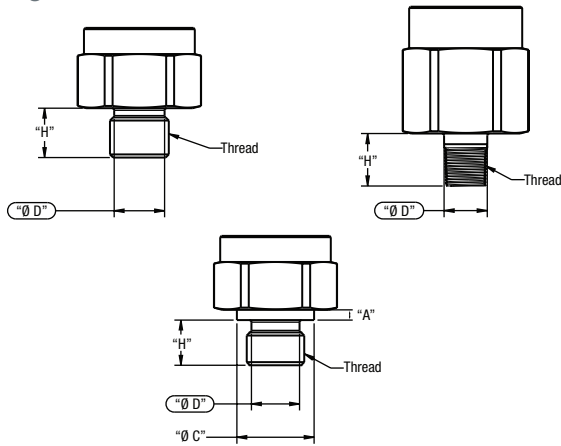


Table 3. HP/HE Series Pressure Port Diameters and Heights

| Nomenclature Code | Thread | Height "A" | Diameter "ØD" | Diameter "ØC" | Height "H" |
|----------------------|-------------|--------------------|---------------------|---------------------|----------------------|
| M | 7/16-20 UNF | – | 9,25 mm [0.364 in] | – | 11 mm [0.433 in] |
| C¹ | 1/2-20 UNF | – | 10,85 mm [0.427 in] | – | 11 mm [0.433 in] |
| G² | 9/16-18 UNF | – | 12,24 mm [0.482 in] | – | 12 mm [0.472 in] |
| H | 3/4-16 UNF | – | 16,74 mm [0.66 in] | – | 14 mm [0.551 in] |
| N | 7/8-14 UNF | – | 19,6 mm [0.773 in] | – | 16 mm [0.630 in] |
| T | M10 x 1.0 | 1,60 mm [0.063 in] | 9,25 mm [0.364 in] | 13,79 mm [0.543 in] | 11 mm [0.433 in] |
| E | M12 x 1.5 | 2,48 mm [0.098 in] | 10,85 mm [0.427 in] | 16,79 mm [0.661 in] | 11 mm [0.433 in] |
| F² | M14 x 1.5 | 2,48 mm [0.098 in] | 12,24 mm [0.482 in] | 18,8 mm [0.74 in] | 12 mm [0.472 in] |
| K | M18 x 1.5 | 2,48 mm [0.098 in] | 16,74 mm [0.66 in] | 23,8 mm [0.937 in] | 14 mm [0.551 in] |
| B | 1/8-27 NPT | – | 10,29 mm [0.405 in] | – | 12,497 mm [0.492 in] |
| A | 1/4-18 NPT | – | 13,72 mm [0.540 in] | – | 17,63 mm [0.694 in] |

¹Port Style C: Switches less than 975 psi will use Base Style B; switches greater than 975 psi will use Base Style A.

²Port Styles F and G: Switches less than 350 psi will use Base Style B; switches greater than 350 psi will use Base Style A. Switches less than 150 psi will use only Base Style B.

Honeywell Pressure Switches, HP, HE, MH, ME, LP, LE, 5000, 1000 Series

DIMENSIONS - MEDIUM PRESSURE: MH SERIES

Figure 8. AMP Superseal 1.5

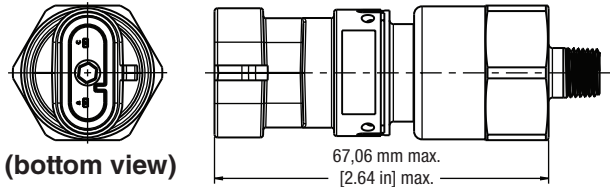


Figure 9. Deutsch 2-pin

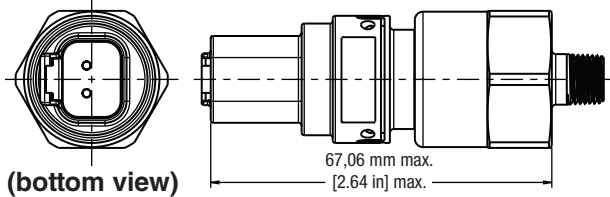


Figure 10. Wire out

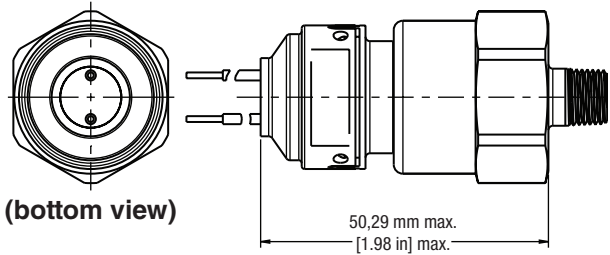


Figure 11. Blade terminal

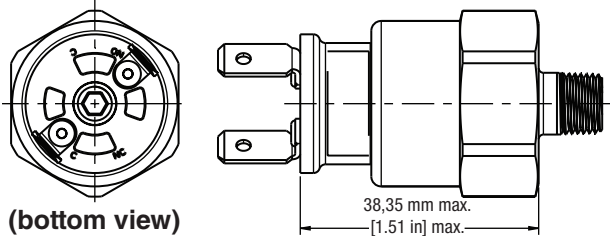


Figure 12. Screw terminal

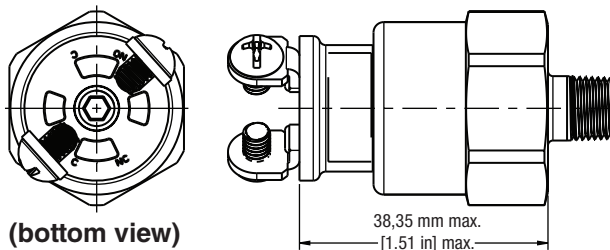


Figure 13. MH Series Pressure Port Dimensions

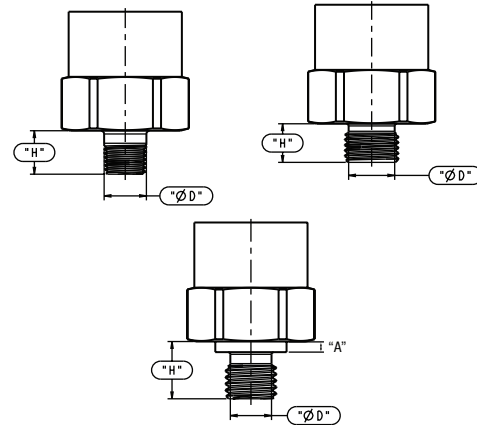


Table 4. MH Series Pressure Port Diameters and Heights

| Port | Diameter "ØD" | Height "H" |
|-------------|---------------------|----------------------|
| R 1/2 BSPT | 21,34 mm [0.840 in] | 17,09 mm [0.673 in] |
| R 1/4 BSPT | 13,46 mm [0.530 in] | 13,74 mm [0.541 in] |
| R 1/8 BSPT | 9,96 mm [0.392 in] | 10,24 mm [0.403 in] |
| 1/8-27 PTF | 10,34 mm [0.407 in] | 9,24 mm [0.364 in] |
| 1/4-18 NPT | 13,72 mm [0.540 in] | 17,63 mm [0.694 in] |
| 1/8-27 NPT | 10,29 mm [0.405 in] | 12,497 mm [0.492 in] |
| G 1/4 BSPP | 11,1 mm [0.437 in] | 11,20 mm [0.441 in] |
| G 1/8 BSPP | 8,28 mm [0.326 in] | 7,59 mm [0.299 in] |
| 3/4-16 UNF | 16,74 mm [0.659 in] | 11,1 mm [0.437 in] |
| 7/16-20 UNF | 9,25 mm [0.364 in] | 9,09 mm [0.358 in] |
| 9/16-18 UNF | 12,24 mm [0.482 in] | 10,00 mm [0.394 in] |
| 1/2-20 UNF | 10,85 mm [0.427 in] | 9,09 mm [0.358 in] |

| Port | Height "A" | Diameter "ØC" | Diameter "ØD" | Height "H" |
|-----------|--------------------|---------------------|---------------------|----------------------|
| M14 × 1.5 | 2,49 mm [0.098 in] | 18,8 mm [0.74 in] | 11,71 mm [0.461 in] | 10,998 mm [0.433 in] |
| M12 × 1.5 | 2,49 mm [0.098 in] | 16,79 mm [0.661 in] | 9,70 mm [0.382 in] | 10,998 mm [0.433 in] |
| M10 × 1.0 | 1,6 mm [0.063 in] | 13,79 mm [0.543 in] | 8,41 mm [0.331 in] | 8,51 mm [0.335 in] |

Honeywell Pressure Switches, HP, HE, MH, ME, LP, LE, 5000, 1000 Series

DIMENSIONS - MEDIUM PRESSURE: ME SERIES

Figure 14. AMP Superseal 1.5



Figure 15. Deutsch 3-pin

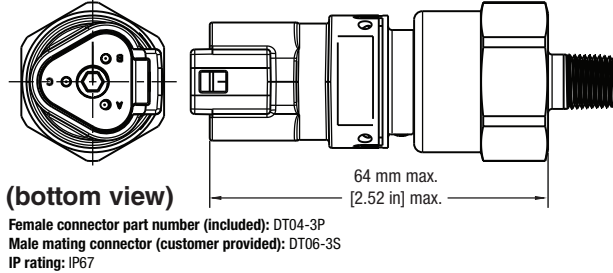


Figure 16. Deutsch 2-pin

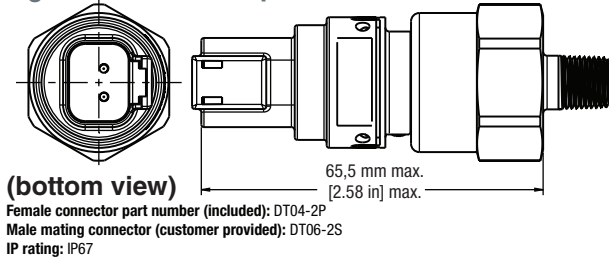


Figure 17. Wire out

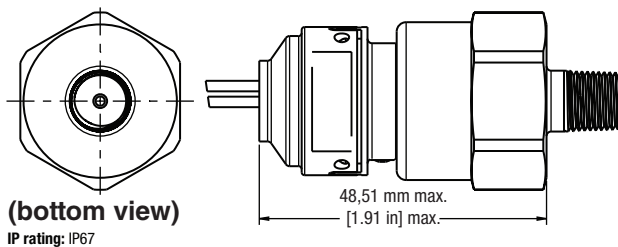


Figure 18. Blade terminal

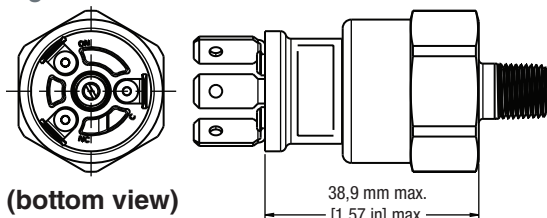


Figure 19. Screw terminal

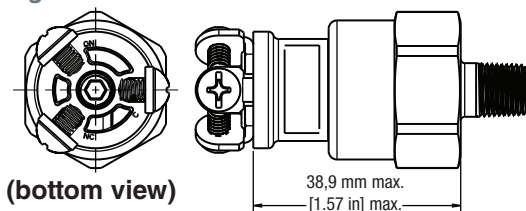


Figure 20. ME Series Pressure Port Dimensions

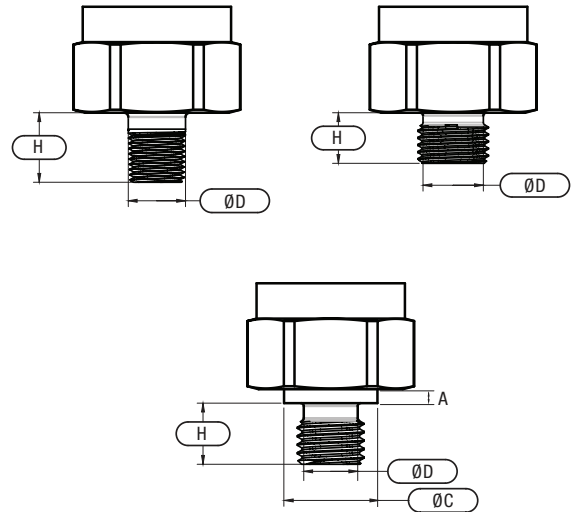


Table 5. ME Series Pressure Port Diameters and Heights

| Port | Diameter "ØD" | Height "H" |
|-------------|---------------------|----------------------|
| R 1/2 BSPT | 21,34 mm [0.840 in] | 17,09 mm [0.673 in] |
| R 1/4 BSPT | 13,46 mm [0.530 in] | 13,74 mm [0.541 in] |
| R 1/8 BSPT | 9,96 mm [0.392 in] | 10,24 mm [0.403 in] |
| 1/8-27 PTF | 10,34 mm [0.407 in] | 9,24 mm [0.364 in] |
| 1/4-18 NPT | 13,72 mm [0.540 in] | 17,63 mm [0.694 in] |
| 1/8-27 NPT | 10,29 mm [0.405 in] | 12,497 mm [0.492 in] |
| G 1/4 BSPP | 11,1 mm [0.437 in] | 11,20 mm [0.441 in] |
| G 1/8 BSPP | 8,28 mm [0.326 in] | 7,59 mm [0.299 in] |
| 3/4-16 UNF | 16,74 mm [0.659 in] | 11,1 mm [0.437 in] |
| 7/16-20 UNF | 9,25 mm [0.364 in] | 9,09 mm [0.358 in] |
| 9/16-18 UNF | 12,24 mm [0.482 in] | 10,00 mm [0.394 in] |
| 1/2-20 UNF | 10,85 mm [0.427 in] | 9,09 mm [0.358 in] |

| Port | Height "A" | Diameter "ØC" | Diameter "ØD" | Height "H" |
|-----------|--------------------|---------------------|---------------------|----------------------|
| M14 × 1.5 | 2,49 mm [0.098 in] | 18,8 mm [0.74 in] | 11,71 mm [0.461 in] | 10,998 mm [0.433 in] |
| M12 × 1.5 | 2,49 mm [0.098 in] | 16,79 mm [0.661 in] | 9,70 mm [0.382 in] | 10,998 mm [0.433 in] |
| M10 × 1.0 | 1,6 mm [0.063 in] | 13,79 mm [0.543 in] | 8,41 mm [0.331 in] | 8,51 mm [0.335 in] |

Honeywell Pressure Switches, HP, HE, MH, ME, LP, LE, 5000, 1000 Series

DIMENSIONS - LOW PRESSURE: LP SERIES, LE SERIES

Figure 21. AMP Superseal 1.5

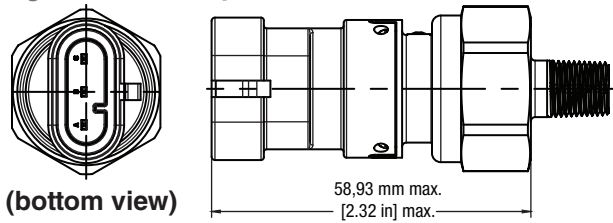


Figure 22. Deutsch 3-pin

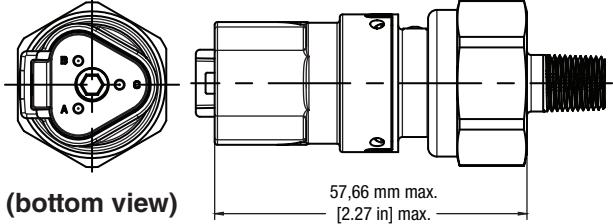


Figure 23. Deutsch 2-pin

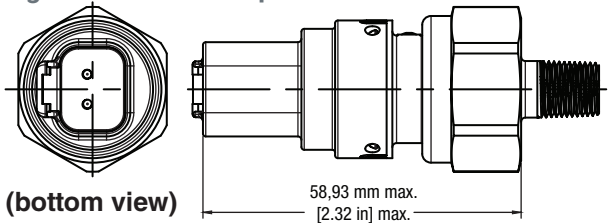


Figure 24. Wire out

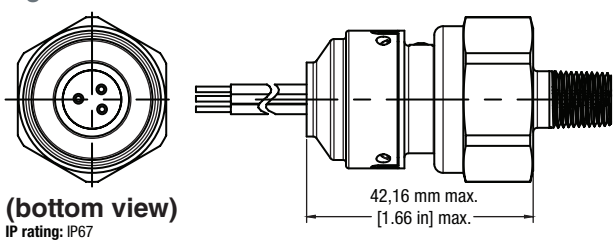


Figure 25. Spade terminal

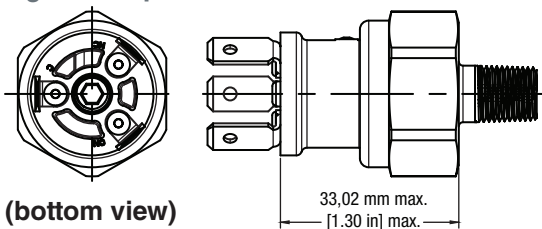


Figure 26. Screw terminal

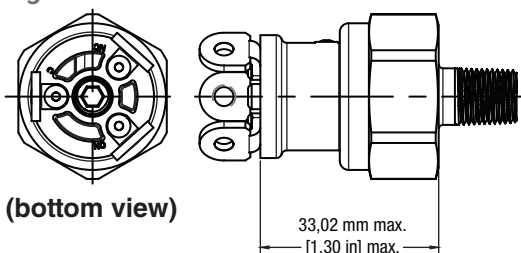


Figure 27. LP/LE Series Pressure Port Dimensions

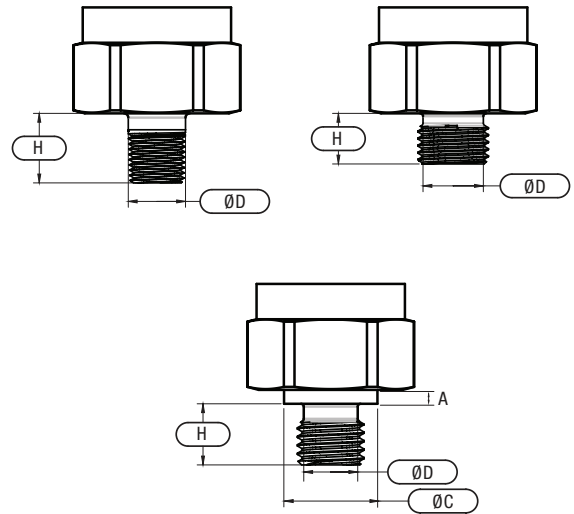


Table 6. LP/LE Series Pressure Port Diameters and Heights

| Port | Diameter "ØD" | Height "H" |
|-------------|---------------------|----------------------|
| R 1/2 BSPT | 21,34 mm [0.840 in] | 17,09 mm [0.673 in] |
| R 1/4 BSPT | 13,46 mm [0.530 in] | 13,74 mm [0.541 in] |
| R 1/8 BSPT | 9,96 mm [0.392 in] | 10,24 mm [0.403 in] |
| 1/8-27 PTF | 10,34 mm [0.407 in] | 9,24 mm [0.364 in] |
| 1/4-18 NPT | 13,72 mm [0.540 in] | 17,63 mm [0.694 in] |
| 1/8-27 NPT | 10,29 mm [0.405 in] | 12,497 mm [0.492 in] |
| G 1/4 BSPP | 11,1 mm [0.437 in] | 11,20 mm [0.441 in] |
| G 1/8 BSPP | 8,28 mm [0.326 in] | 7,59 mm [0.299 in] |
| 3/4-16 UNF | 16,74 mm [0.659 in] | 11,1 mm [0.437 in] |
| 7/16-20 UNF | 9,25 mm [0.364 in] | 9,09 mm [0.358 in] |
| 9/16-18 UNF | 12,24 mm [0.482 in] | 10,00 mm [0.394 in] |
| 1/2-20 UNF | 10,85 mm [0.427 in] | 9,09 mm [0.358 in] |

| Port | Height "A" | Diameter "ØC" | Diameter "ØD" | Height "H" |
|-----------|--------------------|---------------------|---------------------|----------------------|
| M14 × 1.5 | 2,49 mm [0.098 in] | 18,8 mm [0.74 in] | 11,71 mm [0.461 in] | 10,998 mm [0.433 in] |
| M12 × 1.5 | 2,49 mm [0.098 in] | 16,79 mm [0.661 in] | 9,70 mm [0.382 in] | 10,998 mm [0.433 in] |
| M10 × 1.0 | 1,6 mm [0.063 in] | 13,79 mm [0.543 in] | 8,41 mm [0.331 in] | 8,51 mm [0.335 in] |

Honeywell Pressure Switches, HP, HE, MH, ME, LP, LE, 5000, 1000 Series

DIMENSIONS - 1000 SERIES, 5000 SERIES

Figure 28. 1000 Series Dimensions

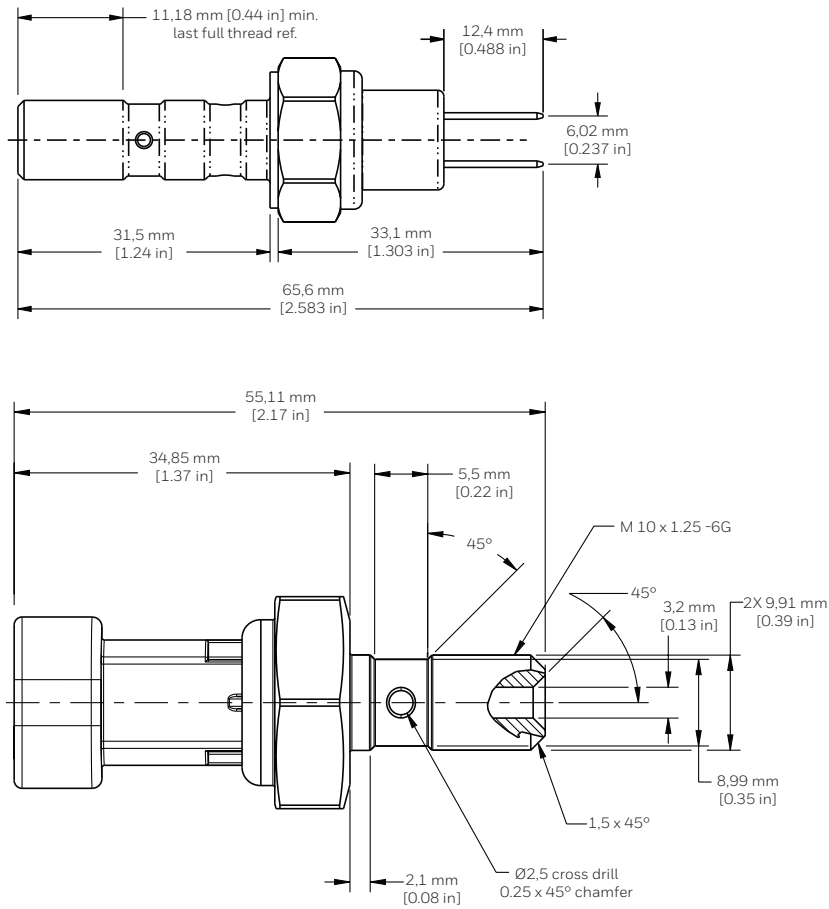
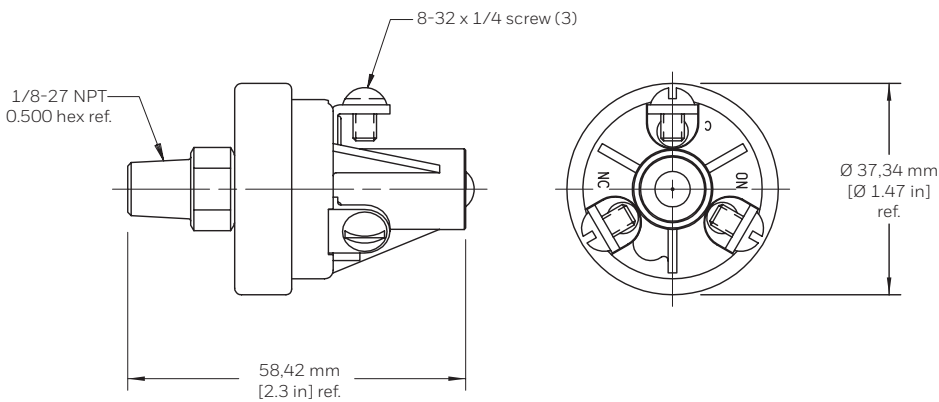


Figure 29. 5000 Series Dimensions



Honeywell Pressure Switches, HP, HE, MH, ME, LP, LE, 5000, 1000 Series

NOMENCLATURE: HIGH PRESSURE

For example, **HPR05500PFNSPAAA01** defines a high pressure switch, rising factory set, non-adjustable set point, 550 psi set point, psig, sealed gage pressure unit, M14 x 1.5 port type, SPST-NO silver contacts output, cold-rolled steel base, glycol-based fluid (EPDM) actuation/application, spade terminal connectors, standard switch, individually boxed units.

| HP | R | 05500 | P | F | N | S | P | AA | A | 01 |
|--|--|--|---|---|--|----------------------------|--|--|--|--|
| Series | Set Point | Pressure Set Point | Pressure Unit | Port Type | Output | Base | Actuation/ Application | Connector Type | Options | Packaging Options |
| HP Series HE Series (100 psi to 4500 psi), High Pressure Switch | R Rising factory set, non-adjustable F Falling factory set, non-adjustable NOTE: Set point below 100 psi is available only with HP Series (Body Style B). | 6.89 bar to 310.26 bar (100 psi to 4500 psi) NOTE: Pressure set point is always five digits. For bar, the set point value will be multiplied by 100 and entered in the listing. For example, 15.45 Bar is noted as 01545. This allows for 2 decimal places. For psi, the set point value will be multiplied by 10 and entered in the listing. For example, 245.5 psi is noted as 02455. This allows for 1 decimal place. | P psig, sealed gage B bar, sealed gage | A 1/4-18 NPT B 1/8-27 NPT C 1/2-20 UNF E M12 x 1.5 F M14 x 1.5 G 9/16-18 UNF H 3/4-16 UNF K M18 x 1.5 M 7/16-20 UNF N 7/8-14 UNF T M10 x 1.0 | N SPST-NO, silver contacts C SPST-NC, silver contacts D SPDT-NO/NC, silver contacts H NO, gold inlay contacts J NC, gold inlay contacts K SPDT(NO/NC), gold inlay contacts E NO, with 510 Ω/ 0.5 W & 160 Ω/ 0.5 W resistors F NC, with 3000 Ω/ 0.125 W resistor | S Cold-rolled steel | N Petroleum-based hydraulic fluid (Nitrile) P Glycol-based fluid (EPDM) EPDM O-ring option only available from 100 psi to 250 psi. | AA 1/4 in Spade Terminals* BA Screw Terminals* CA Deutsch DT04-3P-E005 (3-Pin Connector)* DA Amp Super Seal 1.5 - 282105-1 (3-Pin Connector)* EA 10-inch Cable, 18 AWG (Wire Out, No Connector) FA 10-inch Cable w/Deutsch DT04-3P-E005 (3-Pin Connector) (16 AWG)* GA 10-inch Cable w/Amp Super Seal 1.5 - 282105-1 (3-Pin Connector) (18 AWG)* HA 10-inch Cable w/Metripack 250 Delphi 15300002 (2-Pin Connector) (18 AWG) JA 10-inch Cable w/ Din43650-C (3-Pin Connector) (18 AWG)* KA 10-inch Cable w/M12x1 (Brad Harrison Micro) - 21032121306 Harting P/N (3-Pin Connector) (18 AWG)* LA 10-inch Cable w/Packard Weatherpack Male Terminal - 12020827 (3-Pin Connector) (18 AWG)* MA 10-inch Cable w/Deutsch DT04-2P-E005 (2-Pin Connector) (18 AWG) NA 3-inch Cable w/Packard 2P Tower Connector - 12015792 (2-Pin Connector) (18 AWG) PA 2.75-inch Cable w/Packard 2P Shroud Connector - 12010973 (2-Pin Connector) (18 AWG) RA 4-inch Cable w/Packard 2P Shroud Connector - 12010973 (2-Pin Connector) (16 AWG) SA 5.5-inch Cable w/ITT Cannon 2P Sure-Seal Circular Connector - SS2R-120-8551-000 (2-Pin Connector) (18 AWG) TA 8.5-inch Cable w/ITT Cannon 3P Sure-Seal Circular Connector - SS3R-120-8551-001 (3-Pin Connector) (16 AWG)* UA 10-inch Cable - Vacuum Impregnated w/Deutsch DT06-3S-EPO6 (3-Socket Connector) (16 AWG)* VA 10-inch Cable - Vacuum Impregnated w/Deutsch DT04-3P-E005 (3-Pin Connector) (16 AWG)* WA 4.5-inch Cable w/ 1/4 in Spade Terminals 6.3 mm x 0.8 mm (16 AWG) XA 10-inch Cable w/ Metripack 2-Pin Shroud Connector 153000027 (18 AWG) YA 6-inch Cable w/Amp Super Seal 1.5 - 282104-1 (2-Pin Connector) (18 AWG) ZA 10-inch Cable w/Deutsch DT06-2S-CE06 (2-Socket Connector) (18 AWG) BB 10-inch Cable w/Metripack 150 Delphi 12129615 (3-Pin Connector) (18 AWG) CB 6-inch Cable w/AMP Super Seal 1.5 - 282080-1 (2-Pin Connector) (18 AWG) DB 10-inch Cable w/AMP 2.5 mm System Series Connector 1-967402-1 (18 AWG)* EB 4.5-inch Cable w/Packard Shroud Connector 12015792 (2-Pin Connector) (18 AWG) FB 10-inch Cable w/Metripack 150 Delphi 12052641 (2-Pin Connector) (18 AWG) GB 8.5-inch Cable w/Deutsch Plug HD 18-3-36S (3-Pin Connector) (16 AWG)* | A Standard switch B With 3 shrink sleeve C With shrink sleeve (plastic coating) D With shrink sleeve (acrylic coating) F 304.8 mm (12 in) total wire length G With conduit sleeve H With Vibra seal for port threads J #8-32 screw with external tooth lockwasher*** K 914.4 mm (36 in) total wire length L 304.8 mm (12 in) total wire length with acrylic sleeve M 914.4 mm (36 in) total wire length with acrylic sleeve | 01 Individually boxed units* 02 Individually boxed units** 15 25 individual boxes packed in bulk packaging* 16 25 individual boxes packed in bulk packaging** 20 50 individual boxes packed in bulk packaging* 21 50 individual boxes packed in bulk packaging** 25 25 units in bulk packaging* 26 25 units in bulk packaging** 50 50 individual parts in bulk packaging* |

HP Series Port Types

| Thread Type | Base Style A | Base Style B |
|-----------------|---------------------|---------------------|
| A = 1/4-18 NPT | n/a | 100 psi to 4500 psi |
| B = 1/8-27 NPT | n/a | 100 psi to 4500 psi |
| C = 1/2-20 UNF | >975 psi | n/a |
| E = M12 x 1.5 | n/a | 100 psi to 4500 psi |
| F = M14 x 1.5 | >350 psi | n/a |
| G = 9/16-18 UNF | >350 psi | <350 psi |
| H = 3/4-16 UNF | >150 psi | <150 psi |
| K = M18 x 1.5 | 150 psi to 4500 psi | n/a |
| M = 7/16-20 UNF | n/a | 100 psi to 4500 psi |
| N = 7/8-14 UNF | 150 psi to 4500 psi | n/a |
| T = M10 x 1.0 | n/a | 100 psi to 4500 psi |

Port Type A, B, E, M, and T will be available only with HP Series. Base Style B will be available only with HP Series

*These connectors are designed for dual circuit (SPDT) by default. They can be used for single-circuit applications (SPNC/SPNO) by making suitable connections. Refer to wiring diagram.

Honeywell Pressure Switches, HP, HE, MH, ME, LP, LE, 5000, 1000 Series

NOMENCLATURE: MEDIUM PRESSURE, HIGH BURST

For example, **MHR01500FPVMAAA01** defines a medium pressure, high burst switch, rising factory set, non-adjustable set point, 150 psi set point, psig, sealed gage pressure unit, 1/4-18 NPT port type, SPST-NO contacts output, stainless steel base, LTNB diaphragm, and spade terminal connectors.

| Series | Set Point | Pressure Set Point | Pressure Unit | Port Type | Output | Base | Actuation/ Application | Connector Type | Options | Packaging Options |
|---|--|--|---|---|--------------------------------------|--|--|--|--|--|
| MH Series Medium Pressure Switch | R Rising factory set, non-adjustable F Falling factory set, non-adjustable T Rising, field adjustable* C Falling, field adjustable* | 0.24 bar to 10.34 bar [3.5 psi to 150 psi] NOTE: Pressure set point is always five digits. For bar, the set point value will be multiplied by 100 and entered in the listing. For example, 15.45 Bar is noted as 01545. This allows for 2 decimal places. For psi, the set point value will be multiplied by 10 and entered in the listing. For example, 245.5 psi is noted as 02455. This allows for 1 decimal place. | P psig, sealed gage B bar, sealed gage M bar, true gage* T psig, true gage* G psig, sealed gage with epoxy** H bar, sealed gage with epoxy** | A 1/4-18 NPT B 1/8-27 NPT C 1/2-20 UNF D 1/8-27 PTF E M12 x 1.5 F M14 x 1.5 G 9/16-18 UNF H 3/4-16 UNF J G1/8 BSPP L 3/8-24 UNF M 7/16-20 UNF P 1/2-14 NPT R R1/8 BSPT T M10 x 1.0 V R1/2 BSPT Y G1/4 BSPP Z R1/4 BSPT | P SPST-NO M SPST-NC | N Cold-rolled steel B Brass V Stainless steel | M LTNB diaphragm (Low-temp Buna N) N HNBR diaphragm (Hydrogenated Nitrile Butadiene Rubber) E EPDM diaphragm (Ethylene-Propylene-Diene Monomer) | AA 1/4 in Spade Terminals BA Screw Terminals DA Amp Super Seal 1.5 - 282105-1 (3-Pin Connector) EA 10-inch Cable, 18 AWG (Wire Out, No Connector) HA 10-inch Cable w/Metripack 280 Delphi 15300002 (2-Pin Connector) (18 AWG)* MA 10-inch Cable w/Deutsch DT04-2P-E005 (2-Pin Connector) (18 AWG) NA 3-inch Cable w/Packard 2P Tower Connector - 12015792 (2-Pin Connector) (18 AWG) PA 2.75-inch Cable w/Packard 2P Shroud Connector - 12010973 (2-Pin Connector) (18 AWG) RA 4-inch Cable w/Packard 2P Shroud Connector - 12010973 (2-Pin Connector) (16 AWG) SA 5.5-inch Cable w/ITT Cannon 2P Sure-Seal Circular Connector - SSCR-120-1804-000 (2-Pin Connector) (18 AWG) WA 4.5-inch Cable w/ 1/4 in Spade Terminals 6.3 mm x 0.8 mm (16 AWG)* XA 10-inch Cable w/ Metripack 2-Pin Shroud Connector 153000287 (18 AWG) YA 6-inch Cable w/Amp Super Seal 1.5 - 282104-1 (2-Pin Connector) (18 AWG)* ZA 10-inch Cable w/Deutsch DT06-2S-CE06 (2-Socket Connector) (18 AWG) AB Deutsch DT04-2P-E005 (2-Pin Connector) CB 6-inch Cable with Amp Super Seal 1.5 - 282080-1 (2-Pin Connector) (18 AWG) DB 10-inch Cable w/AMP 2.5 mm System Series Connector 1-967402-1 (18 AWG)* EB 4.5-inch Cable w/Packard Shroud Connector 12015792 (2-Pin Connector) (18 AWG) FB 10-inch Cable w/Metripack 150 Delphi 12052841 (2-Pin Connector) (18 AWG) | A Standard switch C With shrink sleeve (plastic coating) D With shrink sleeve (acrylic coating) F 304.8 mm [12 in] total wire length G With conduit sleeve H With Vibra seal for threads J #8-32 screw with external tooth lockwasher*** K 914.4 mm [36 in] total wire length L 304.8 mm [12 in] total wire length w/ shrink sleeve M 914.4 mm [36 in] total wire length w/ shrink sleeve | 01 Individually boxed units 15 25 individual boxes packed in bulk packaging 20 150 units in bulk packaging 25 25 units in bulk packaging 30 150 individual boxes packed in bulk packaging |

*Field adjustable option is only available for:
1. Blade and screw terminations (SPDT, SPNO, SPNC)
2. Deutsch DT04-2P (SPDT, SPNO, SPNC)
3. Amp Superseal 1.5 (3-pin) (SPNO & SPNC)

**Blade and screw electrical terminations are available with only the true gage option.

***applicable only for screw terminal version.

*These connectors are designed for dual circuit (SPDT) by default. They can be used for single-circuit applications (SPNO/SPNC) by making suitable connections. Refer to wiring diagram.

Honeywell Pressure Switches, HP, HE, MH, ME, LP, LE, 5000, 1000 Series

NOMENCLATURE: MEDIUM PRESSURE

For example, **MERO1500FPVKAA01** defines a medium pressure switch, rising factory set, non-adjustable set point, 55 psi set point, psig, sealed gage pressure unit, M14 x 1.5 port type, SPST-NO gold-plated contacts output, stainless steel base, Kapton® diaphragm (Teflon® coated), Nitrile O-ring actuation/application, spade terminal connectors, standard switch, individually boxed units.

| ME Series Medium Pressure Switch | R | 01500 | P | F | P | V | K | AA | A | 01 |
|----------------------------------|---|--|---|----------------------|---|--|--|--|---|---|
| Series | Set Point | Pressure Set Point | Pressure Unit | Port Type | Output | Base | Actuation/ Application | Connector Type | Options | Packaging Options |
| ME Series Medium Pressure Switch | R Rising factory set, non-adjustable | 1.72 bar to 24.13 bar [25 psi to 350 psi] | P psig, sealed gage | A 1/4-18 NPT | P SPST-NO, gold-plated contacts | N Cold-rolled steel with zinc plating | K Kapton® diaphragm (Teflon® coated, Nitrile O-ring*) | AA 1/4 in Spade Terminals | A Standard switch | 01 Individually boxed units |
| | F Falling factory set, non-adjustable | NOTE: Pressure set point is always five digits. | B bar, sealed gage | B 1/8-27 NPT | M SPST-NC, gold-plated contacts | V Stainless steel | H Kapton® diaphragm (Teflon® coated, EPDM O-ring*) | BA Screw Terminals | B With 3 shrink sleeve | 15 25 individual boxes packed in bulk packaging |
| | T Rising, field adjustable* | For bar, the set point value will be multiplied by 100 and entered in the listing. For example, 15.45 Bar is noted as 01545. This allows for 2 decimal places. | M bar, true gage | C 1/2-20 UNF | Y SPDT-NO/NC, gold-plated contacts | | * Air, Petroleum-based hydraulic fluid, engine oil * Glycol-based fluid | CA Deutsch DT04-3P-E005 (3-Pin Connector) | C With shrink sleeve (plastic coating) | 20 150 units in bulk packaging |
| | C Falling, field adjustable* | For psi, the set point value will be multiplied by 10 and entered in the listing. For example, 245.5 psi is noted as 02455. This allows for 1 decimal place. | T psig, true gage | D 1/8-27 PTF | E NO, with 510 Ω/ 0.5 W & 160 Ω/ 0.5 W resistors | | | DA Amp Super Seal 1.5 - 282105-1 (3-Pin Connector) | D With shrink sleeve (acrylic coating) | 25 25 units in bulk packaging |
| | * Field adjustable option is only available for: 1. Blade and screw terminations (SPDT, SPNO, SPNC) 2. Deutsch DT04-3P (SPDT, SPNO, SPNC) 3. Amp Superseal 1.5 (3-pin) (SPNO & SPNC) | | G psig, sealed gage with epoxy | E M12 x 1.5 | F NC, with 3000 Ω/ 0.125 W resistor | | | EA 10-inch Cable, 18 AWG (Wire Out, No Connector) | E With 1/8 W resistor between terminals | 30 150 individual boxes packed in bulk packaging |
| | | | H bar, sealed gage with epoxy | F M14 x 1.5 | | | | FA 10-inch Cable w/Deutsch DT04-3P-E005 (3-Pin Connector) (16 AWG)* | F 304.8 mm [12 in] total wire length | |
| | | | Blade and screw electrical terminations are available with only the true gage option. | G 9/16-18 UNF | | | | GA 10-inch Cable w/Amp Super Seal 1.5 - 282105-1 (3-Pin Connector) (18 AWG)* | G With conduit sleeve | |
| | | | | H 3/4-16 UNF | | | | HA 10-inch Cable w/Metripack 280 Delphi 15300002 (2-Pin Connector) (18 AWG)* | H With Vibra seal for port threads | |
| | | | | J G1/8 BSPP | | | | JA 10-inch Cable w/ Din49650-C (3-Pin Connector) (18 AWG)* | J #8-32 screw with external tooth lockwasher | |
| | | | | M 7/16-20 UNF | | | | KA 10-inch Cable w/M12x1 (Brad Harrison Micro) - 21032121306 Harting P/N (3-Pin Connector) (18 AWG)* | K 914.4 mm [36 in] total wire length | |
| | | | | R R1/8 BSPT | | | | LA 10-inch Cable w/Packard Weatherpack Male Terminal - 12020827 (3-Pin Connector) (18 AWG)* | R With port neck O-ring for LPS | |
| | | | | T M10 x 1.0 | | | | MA 10-inch Cable w/Deutsch DT04-2P-E005 (2-Pin Connector) (18 AWG) | *** For screw terminal option only | |
| | | | | V R1/2 BSPT | | | | NA 3-inch Cable w/Packard 2P Tower Connector - 12015792 (2-Pin Connector) (18 AWG) | | |
| | | | | Y G1/4 BSPP | | | | PA 2.75-inch Cable w/Packard 2P Shroud Connector - 12010973 (2-Pin Connector) (18 AWG) | | |
| | | | | Z R1/4 BSPT | | | | RA 4-inch Cable w/Packard 2P Shroud Connector - 12010973 (2-Pin Connector) (16 AWG) | | |
| | | | | | | | | SA 5.5-inch Cable w/ITT Cannon 2P Sure-Seal Circular Connector - SS2R-120-1804-000 (2-Pin Connector) (18 AWG) | | |
| | | | | | | | TA 8.5-inch Cable w/ITT Cannon 3P Sure-Seal Circular Connector - SS3R-120-8551-001 (3-Pin Connector) (16 AWG) | | | |
| | | | | | | | UA 10-inch Cable - Vacuum Impregnated w/Deutsch DT06-3S-EPO6 (3-socket Connector) (16 AWG)* | | | |
| | | | | | | | VA 10-inch Cable - Vacuum Impregnated w/Deutsch DT04-3P-E005 (3-Pin Connector) (16 AWG)* | | | |
| | | | | | | | WA 4.5-inch Cable w/ 1/4 in Spade Terminals 6.3 mm x 0.8 mm (16 AWG)* | | | |
| | | | | | | | XA 10-inch Cable w/ Metripack 2-Pin Shroud Connector 153000287 (16 AWG) | | | |
| | | | | | | | YA 6-inch Cable w/Amp Super Seal 1.5 - 282104-1 (2-Pin Connector) (18 AWG)* | | | |
| | | | | | | | ZA 10-inch Cable w/Deutsch DT06-2S-CE06 (2-socket Connector) (18 AWG) | | | |
| | | | | | | | AB Deutsch DT04-2P-E005 (2-Pin Connector) | | | |
| | | | | | | | BB 10-inch Cable w/Metripack 150 Delphi 12129615 (3-Pin Connector) (15 AWG)* | | | |
| | | | | | | | CB 6-inch Cable w/Amp Super Seal 1.5 - 282080-1 (2-Pin Connector) (18 AWG) | | | |
| | | | | | | | DB 10-inch Cable w/AMP 2.5 mm System Series Connector 1-967402-1 (18 AWG)* | | | |
| | | | | | | | EB 4.5-inch Cable w/Packard Shroud Connector 12015792 (2-Pin Connector) (16 AWG) | | | |
| | | | | | | | FB 10-inch Cable w/Metripack 150 Delphi 12052644 (2-Pin Connector) (18 AWG) | | | |
| | | | | | | | GB 8.5-inch Cable w/Deutsch Plug HD 16-3 96S (3-Pin Connector) (16 AWG) | | | |

*These connectors are designed for dual circuit (SPDT) by default. They can be used for single-circuit applications (SPNO/SPNO) by making suitable connections. Refer to wiring diagram.

Honeywell Pressure Switches, HP, HE, MH, ME, LP, LE, 5000, 1000 Series

NOMENCLATURE: LOW PRESSURE

For example, **LPR00550PPFVKA01** defines a low pressure switch, rising factory set, non-adjustable set point, 55 psi set point, psig, sealed gage pressure unit, M14 x 1.5 port type, SPST-NO gold-plated contacts output, stainless steel base, Kapton® diaphragm (Teflon® coated), Nitrile O-ring actuation/application, spade terminal connectors, standard switch, individually boxed units.

| LP Series, LE Series Low Pressure Switch | R Set Point | 00550 Pressure Set Point | P Pressure Unit | F Port Type | P Output | V Base | K Actuation/ Application | AA Connector Type | A Options | 01 Packaging Options | |
|--|--|-------------------------------------|---------------------------------------|----------------------------|--|--|--|---|---|---|------------------------------------|
| R Rising factory set, non-adjustable | F Falling factory set, non-adjustable | T Rising, field adjustable* | C Falling, field adjustable* | P psig, sealed gage | A 1/4-18 NPT | M SPST-NO, gold-plated contacts | B Brass | K Kapton® diaphragm (Teflon® coated), Nitrile O-ring ¹ | AA 1/4 in Spade Terminals | A Standard switch | 01 Individually boxed units |
| F Falling factory set, non-adjustable | T Rising, field adjustable* | C Falling, field adjustable* | P bar, sealed gage | B 1/8-27 NPT | M SPST-NC, gold-plated contacts | N Cold-rolled steel with zinc plating | H Kapton® diaphragm (Teflon® coated), EPDM O-ring ² | BA Screw Terminals | B With 3 shrink sleeve | 15 25 individual boxes packed in bulk packaging | |
| T Rising, field adjustable* | C Falling, field adjustable* | P bar, true gage | M bar, true gage | C 1/2-20 UNF | Y SPDT-NO/NC, gold-plated contacts | V Stainless steel | T Tefzel® and Kapton® diaphragm, Nitrile O-ring ³ | CA Deutsch DT04-3P-E005 (3-Pin Connector) | C With shrink sleeve (plastic coating) | 20 150 units in bulk packaging | |
| C Falling, field adjustable* | P psig, true gage | D 1/8-27 PTF | T psig, true gage | D 1/8-27 PTF | E NO, with 510 Ω/ 1 W & 160 Ω/ 1 W resistors**** | E Air, Petroleum-based hydraulic fluid, engine oil ² Glycol-based fluid | U Tefzel® and Kapton® diaphragm, EPDM O-ring ³ | DA Amp Super Seal 1.5 - 282105-1 (3-Pin Connector)** | D With shrink sleeve (acrylic coating) | 25 25 units in bulk packaging | |
| C Falling, field adjustable* | G psig, sealed gage with epoxy | E M12 x 1.5 | G psig, sealed gage with epoxy | E M12 x 1.5 | F NC, with 3000 Ω/ 0.125 W resistor | F For high temperature fluid media (LE Series only) | F For high temperature fluid media, glycol-based fluid (LE Series only) | EA 10-inch Cable, 18 AWG (Wire Out, No Connector*) | F 304.8 mm [12 in] total wire length | 30 150 individual boxes packed in bulk packaging | |
| C Falling, field adjustable* | H bar, sealed gage with epoxy | F M14 x 1.5 | H bar, sealed gage with epoxy | F M14 x 1.5 | G NC with 510 Ω/ 0.5 W and 160 Ω/ 0.5 W resistors**** | G **** Available only on LP Series | | FA 10-inch Cable w/Deutsch DT04-3P-E005 (3-Pin Connector) (16 AWG)* | G With conduit sleeve | | |
| C Falling, field adjustable* | J bar, sealed gage with epoxy | G 9/16-18 UNF | J bar, sealed gage with epoxy | G 9/16-18 UNF | | | | GA 10-inch Cable w/Amp Super Seal 1.5 - 282105-1 (3-Pin Connector) (18 AWG)* | H With Vibra seal for port threads | | |
| C Falling, field adjustable* | M bar, sealed gage with epoxy | H 3/4-16 UNF | M bar, sealed gage with epoxy | H 3/4-16 UNF | | | | HA 10-inch Cable w/Metripack 280 Delphi 15300002 (2-Pin Connector) (18 AWG)* | K 914.4 mm [36 in] total wire length | | |
| C Falling, field adjustable* | N bar, sealed gage with epoxy | J G1/8 BSPP | N bar, sealed gage with epoxy | J G1/8 BSPP | | | | JA 10-inch Cable w/Din43650-C (3-Pin Connector) (18 AWG)* | L 304.8 mm [12 in] total wire length with acrylic sleeve | | |
| C Falling, field adjustable* | R bar, sealed gage with epoxy | M 7/16-20 UNF | R bar, sealed gage with epoxy | M 7/16-20 UNF | | | | KA 10-inch Cable w/M12x1 (Brad Harrison Micro) - 21032121306 Harting P/N (3-Pin Connector) (18 AWG)* | M 914.4 mm [36 in] total wire length with acrylic sleeve | | |
| C Falling, field adjustable* | T bar, sealed gage with epoxy | R R1/8 BSPT | T bar, sealed gage with epoxy | R R1/8 BSPT | | | | LA 10-inch Cable w/Packard Weatherpack Male Terminal - 12020827 (3-Pin Connector) (18 AWG)* | N 914.4 mm [36 in] total wire length with acrylic sleeve | | |
| C Falling, field adjustable* | V bar, sealed gage with epoxy | T M10 x 1.0 | V bar, sealed gage with epoxy | T M10 x 1.0 | | | | MA 10-inch Cable w/Deutsch DT04-2P-E005 (2-Pin Connector) (18 AWG) | | | |
| C Falling, field adjustable* | Y bar, sealed gage with epoxy | V R1/2 BSPT | Y bar, sealed gage with epoxy | V R1/2 BSPT | | | | NA 3-inch Cable w/Packard 2P Tower Connector - 12015792 (2-Pin Connector) (18 AWG) | | | |
| C Falling, field adjustable* | Z bar, sealed gage with epoxy | Y G1/4 BSPP | Z bar, sealed gage with epoxy | Y G1/4 BSPP | | | | PA 2.75-inch Cable w/Packard 2P Shroud Connector - 12010973 (2-Pin Connector) (18 AWG) | | | |
| C Falling, field adjustable* | | Z R1/4 BSPT | | Z R1/4 BSPT | | | | RA 4-inch Cable w/Packard 2P Shroud Connector - 12010973 (2-Pin Connector) (16 AWG) | | | |
| C Falling, field adjustable* | | | | | | | | SA 5.5-inch Cable w/ITT Cannon 2P Sure-Seal Circular Connector - SS2R-120-1804-000 (2-Pin Connector) (18 AWG) | | | |
| C Falling, field adjustable* | | | | | | | | TA 8.5-inch Cable w/ITT Cannon 3P Sure-Seal Circular Connector - SS3R-120-8851-001 (3-Pin Connector) (16 AWG)* | | | |
| C Falling, field adjustable* | | | | | | | | UA 10-inch Cable - Vacuum Impregnated w/Deutsch DT06-3S-EP06 (3-socket Connector) (16 AWG)* | | | |
| C Falling, field adjustable* | | | | | | | | VA 10-inch Cable - Vacuum Impregnated w/Deutsch DT04-3P-E005 (3-Pin Connector) (16 AWG)* | | | |
| C Falling, field adjustable* | | | | | | | | WA 4.5-inch Cable w/ 1/4 in Spade Terminals 6.3 mm x 0.8 mm (16 AWG)* | | | |
| C Falling, field adjustable* | | | | | | | | XA 10-inch Cable w/ Metripack 2-Pin Shroud Connector 1530000287 (16 AWG) | | | |
| C Falling, field adjustable* | | | | | | | | YA 6-inch Cable w/Amp Super Seal 1.5 - 282104-1 (2-Pin Connector) (18 AWG)* | | | |
| C Falling, field adjustable* | | | | | | | | ZA 10-inch Cable w/Deutsch DT06-2S-CE06 (2-socket Connector) (18 AWG) | | | |
| C Falling, field adjustable* | | | | | | | | AB Deutsch DT04-2P-E005 (2-Pin Connector) | | | |
| C Falling, field adjustable* | | | | | | | | BB 10-inch Cable w/Metripack 150 Delphi 12129615 (3-Pin Connector) (18 AWG)* | | | |
| C Falling, field adjustable* | | | | | | | | CB 6-inch Cable with Amp Super Seal 1.5 - 282080-1 (2-Pin Connector) (18 AWG) | | | |
| C Falling, field adjustable* | | | | | | | | DB 10-inch Cable w/AMP 2.5 mm System Series Connector 1-967402-1 (18 AWG)* | | | |
| C Falling, field adjustable* | | | | | | | | EB 4.5-inch Cable w/Packard Shroud Connector 12015792 (2-Pin Connector) (18 AWG) | | | |
| C Falling, field adjustable* | | | | | | | | FB 10-inch Cable w/Metripack 150 Delphi 12032641 (2-Pin Connector) (18 AWG) | | | |
| C Falling, field adjustable* | | | | | | | | GB 8.5-inch Cable w/Deutsch Plug HD 16-3 96S (3-Pin Connector) (16 AWG) | | | |

*These connectors are designed for dual circuit (SPDT) by default. They can be used for single-circuit applications (SPNC/SPNO) by making suitable connections. Refer to wiring diagram.
**For electrical termination with SPST option, only SPNO configuration is available. SPNC configuration cannot be provided.