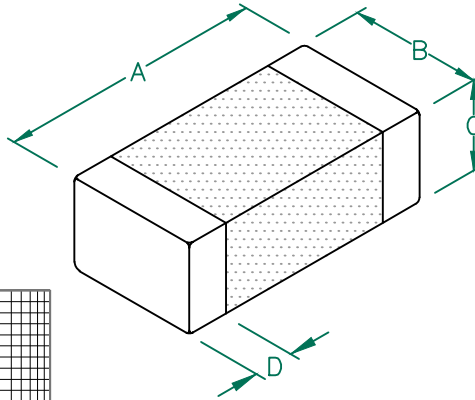


LF1206A302R-10

PHYSICAL DIMENSIONS:

A	3.20 [.126]	+ 0.20 [.008]
B	1.60 [.063]	+ 0.20 [.008]
C	1.10 [.043]	+ 0.20 [.008]
D	0.51 [.020]	+ 0.25 [.010]

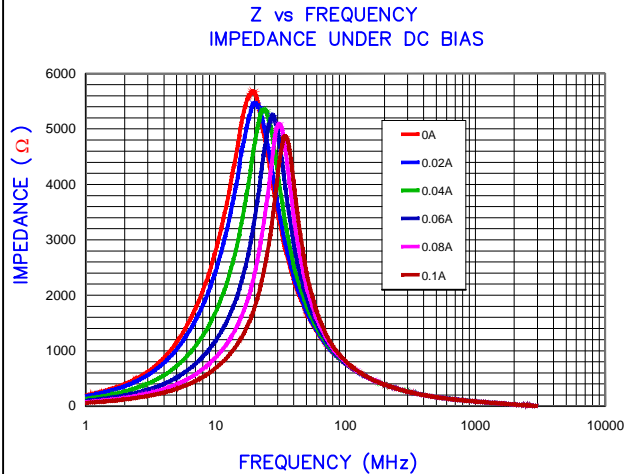


ELECTRICAL CHARACTERISTICS:

	Z @ 10MHz (Ω)	DCR (Ω)	Rated Current
Nominal	3000		
Minimum	2250		
Maximum	3750	1.05	100 mA

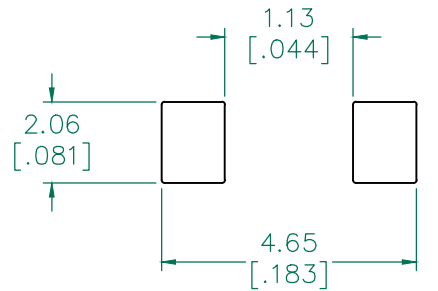
NOTES: UNLESS OTHERWISE SPECIFIED

1. TAPED AND REELED per CURRENT EIA SPECIFICATIONS 7" REELS, EMBOSSED PLASTIC TAPE 3000 PCS/REEL.
2. TERMINATION FINISH 100% MATTE TIN.
3. COMPONENTS SHOULD BE ADEQUATELY PREHEATED BEFORE SOLDERING.
4. OPERATING TEMP. RANGE: -40°C~+125°C. (INCLUDING SELF-HEATING)

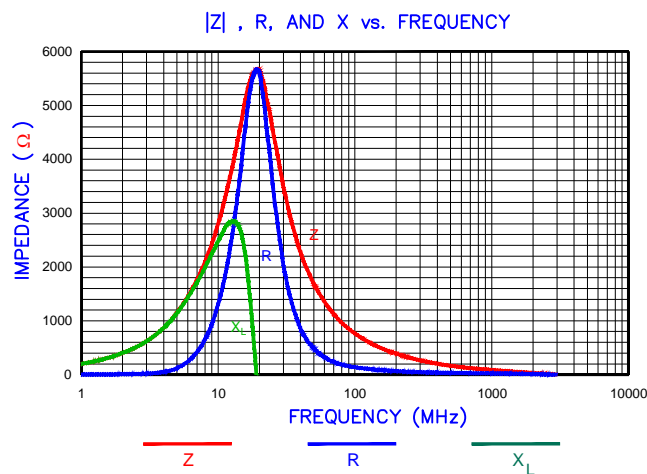
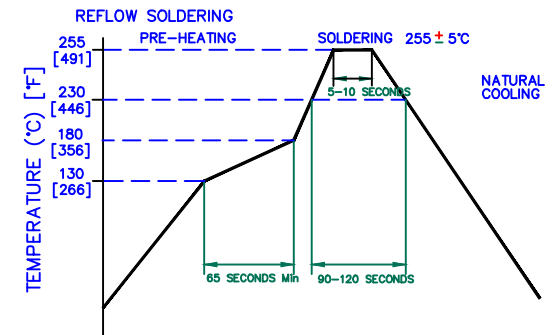


LAND PATTERNS FOR REFLOW SOLDERING

RECOMMENDED SOLDERING CONDITIONS



(For wave soldering, add 0.762 (0.030) to this dimension)



DIMENSIONS ARE IN mm [INCHES].		This print is the property of Laird Tech. and is loaned in confidence subject to return upon request and with the understanding that no copies shall be made without the written consent of Laird Tech. All rights to design or invention are reserved.		Laird	
C	ADD OPERATING TEMPERATURE UPDATE LAIRD LOGO AND REFLOW CURVE	08/05/13	QU	PROJECT/PART NUMBER: LF1206A302R-10	REV: C PART TYPE: CO-FIRE DRAWN BY: JRK
B	UPDATE COMPANY LOGO	07/03/08	JRK	DATE: 09/12/06	SCALE: NTS SHEET: 1 of 1
A	ORIGINAL DRAFT	09/12/06	JRK	CAD # LF1206A302R-10-C	TOOL # -
REV	DESCRIPTION	DATE	INT		

