

THIS DOCUMENT CONTAINS PROPRIETARY DATA OF POLARIS INDUSTRIAL ENTERPRISES, INC. NO DISCLOSURE, REPRODUCTION, OR USE OF ANY PART THERE OF MAY BE MADE EXCEPT BY WRITTEN PERMISSION.

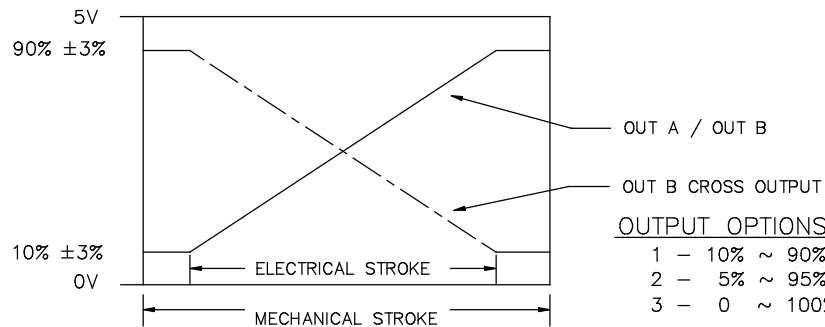
REV.	BY	DATE	APPRVL.	P/N	LHK15-30
------	----	------	---------	-----	----------

GENERAL SPECIFICATION:

CURRENT CONSUMPTION SINGLE OUTPUT ----- WITHIN 15mA
 CURRENT CONSUMPTION DUAL OUTPUT----- WITHIN 30mA
 INDEPENDENT LINEARITY TOL. ----- $\pm 0.5\%FS$
 MECHANICAL STROKE (MS) ----- APPROX. 34mm
 ELECTRICAL STROKE ----- 30mm $\pm 0.5mm$
 APPLIED VOLTAGE ----- 5V $\pm 10\%D.C$
 LOAD RESISTANCE ----- 10KOHMS MIN
 EFFECTIVE OUTPUT ----- 10% $\pm 3\%$ ~ 90% $\pm 3\%$ VIN
 OUTPUT TEMPERATURE CHARACT. ----- WITHIN $\pm 0.8\%VOUT.FS$
 OPERATING TEMPERATURE RANGE ----- $-40^{\circ}C \sim +105^{\circ}C$
 STORAGE TEMPERATURE RANGE ----- $-40^{\circ}C \sim +105^{\circ}C$
 STOPPER STRENGTH ----- APPROX. 20N (2kgF)
 FRICTION ----- WITHIN 0.6N(60gF)
 MASS ----- APPROX 44g

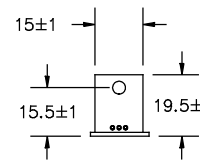
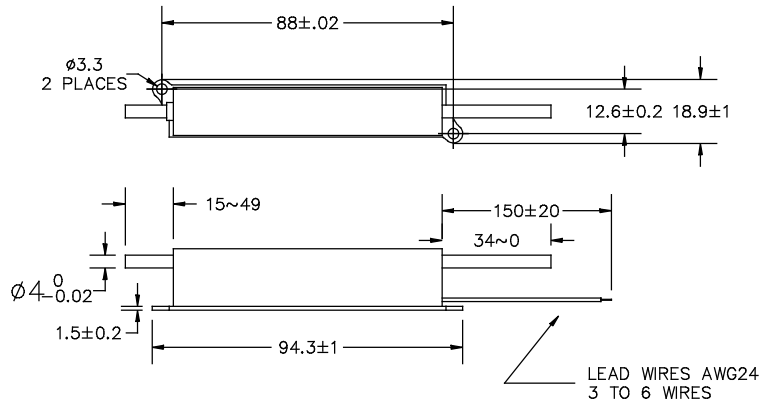
ENVIRONMENTAL SPECIFICATION:

THERMAL SHOCK ----- 5 CYCLES $-40^{\circ}C \sim +105^{\circ}C$
 EXPOSURE TO LOW TEMPERATURE ----- 24 HOURS AT $-40^{\circ}C$
 EXPOSURE AT HIGH TEMPERATURES ----- 1,000 HOURS AT $+105^{\circ}C$
 VIBRATION ----- $10 \sim 2,000Hz$ 196m/s.s 12 HOURS
 SHOCK ----- 980m/s.s 6ms (18 TIMES)
 LIFE EXPECTANCY ----- APPROX. 50,000,000 RECIPROCATING MOTIONS
 EMS TOLERANCE ----- 100V/m (80MHz ~ 1GHz 1KHz SIN WAVE
 80% AMPLITUDE MODULATION)
 ESD TOLERANCE ----- $\pm 8KV$ CONTACT / $\pm 15KV$ AERIAL DISCHARGE

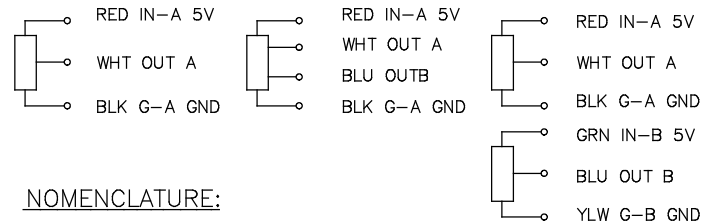


OUTPUT OPTIONS:

- 1 - 10% ~ 90%
- 2 - 5% ~ 95%
- 3 - 0 ~ 100%



SINGLE OUTPUT DUAL OUTPUT DUAL INDEP. OUTPUT



NOMENCLATURE:

LHK15-30-S -1
 OUTPUT OPTION (1,2 OR 3)
 OUTPUT TYPE (S, X, P, IX OR IP)
 SERIES

<u>TOLERANCES</u> XX = +/- .010" FRACT. = +/- 1/64" XXX = +/- .005" ANGLES = +/- 1/2" ALL SPECIFICATIONS SUBJECT TO CHANGE WITHOUT NOTICE.	SCALE	DATE: 9-11-13	ETI SYSTEMS CARLSBAD CALIFORNIA	TITLE	PART NO.
	NONE	BY AT		CONTACTLESS	LHK15-30
	CODE IDENT: 19477	APPRV'D		POTENTIOMETER	