



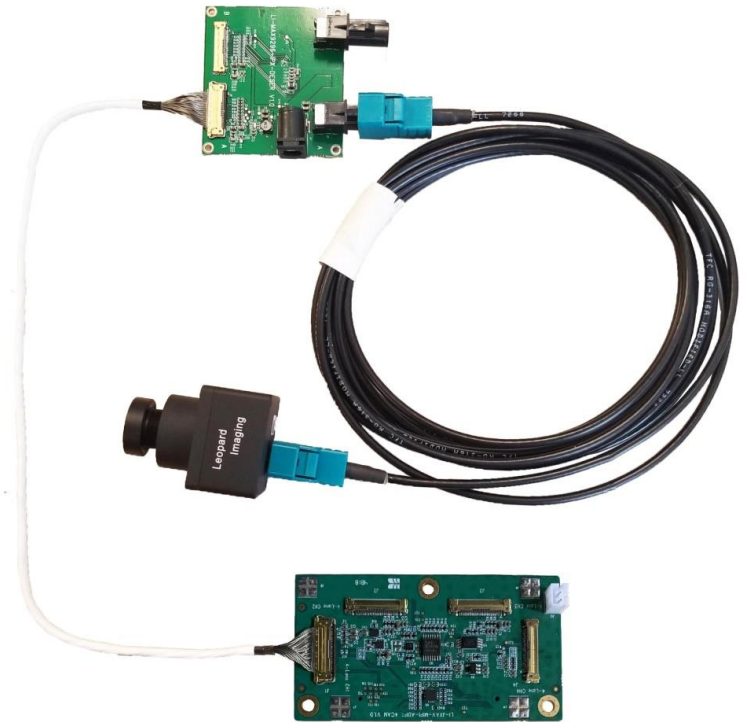
LEOPARD IMAGING INC

# LI-AR0231-GMSL2-XAVIER-xxxH Data Sheet

## Key Features

- Compatible with Nvidia® Jetson AGX Xavier™ Developer Kit
- Support one GMSL2 camera
- ON SEMI 2.3MP AR0231 RCCB Sensor
- Active pixels: 1928H x 1208V
- Pixel size: 3.0 um x 3.0 um
- Color camera
- Lens: FOV H 60 / 120 / 200
- GMSL2 Serializer
- Includes De-serializer to convert serial interface to MIPI interface
- Length of Fakra cable: 3 meters
- Support multiple length Fakra cables
- Length of the I-PEX cable: 300mm
- Support M12 lens
- Provide customization services
- Part#:

**LI-AR0231-GMSL2-XAVIER-xxxH**



## Application

- Automotive ADAS
- 1080p30 video applications
- ADAS + Viewing Fusion

## BOM

Nvidia Xavier Developer Kit not included

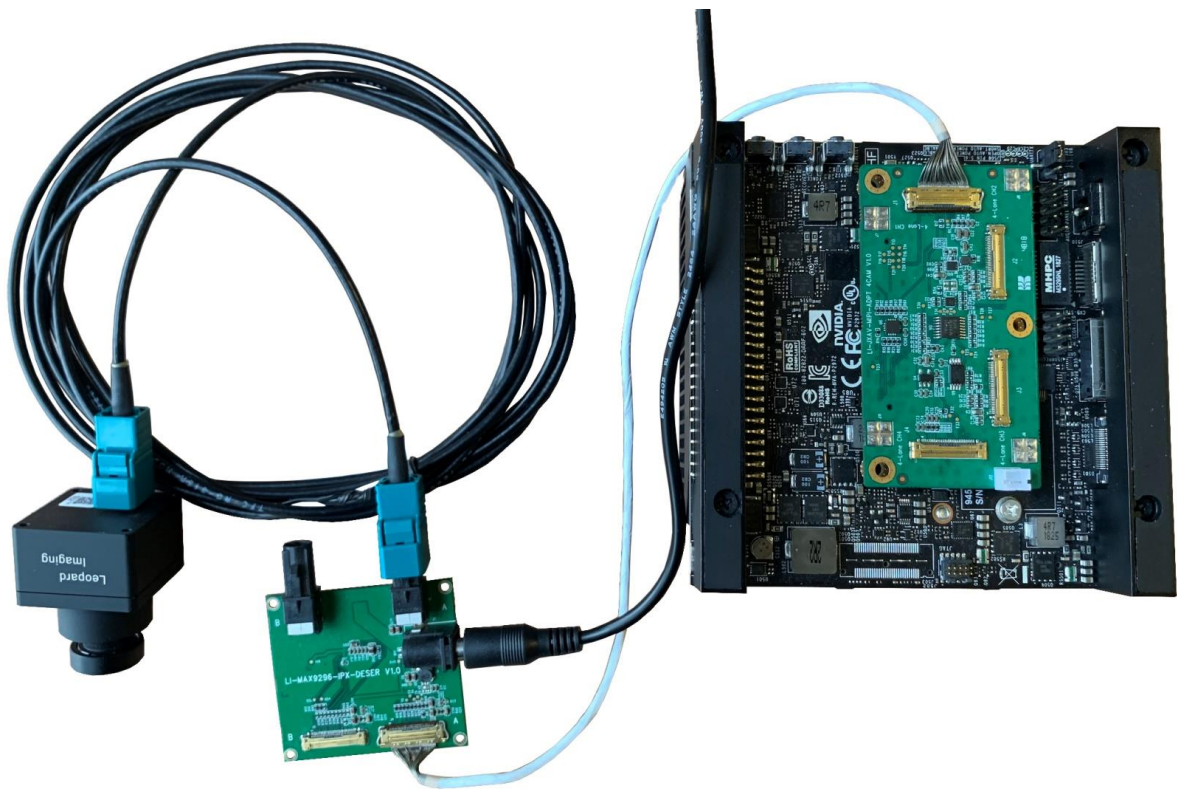
| # | Items                  | QTY |
|---|------------------------|-----|
| 1 | LI-AR0231-GMSL2-xxxH   | 1   |
| 2 | FAK-SMZSMZ 3M          | 1   |
| 3 | LI-GMSL2-IPX-DESER     | 1   |
| 4 | FAW-1233-03 cable      | 1   |
| 5 | LI-JXAV-MIPI-ADPT-4CAM | 1   |
| 6 | LI-PS12-01             | 1   |



Leopard Imaging Inc.

48820 Kato Rd, Suite 100B, Fremont, CA 94538, USA  
 Phone: +1-408-263-0988  
 Fax: +1-408-217-1960  
 Email: sales@leopardimaging.com  
 Website: www.leopardimaging.com

## Compatible with Nvidia Jetson AGX Xavier Developer Kit

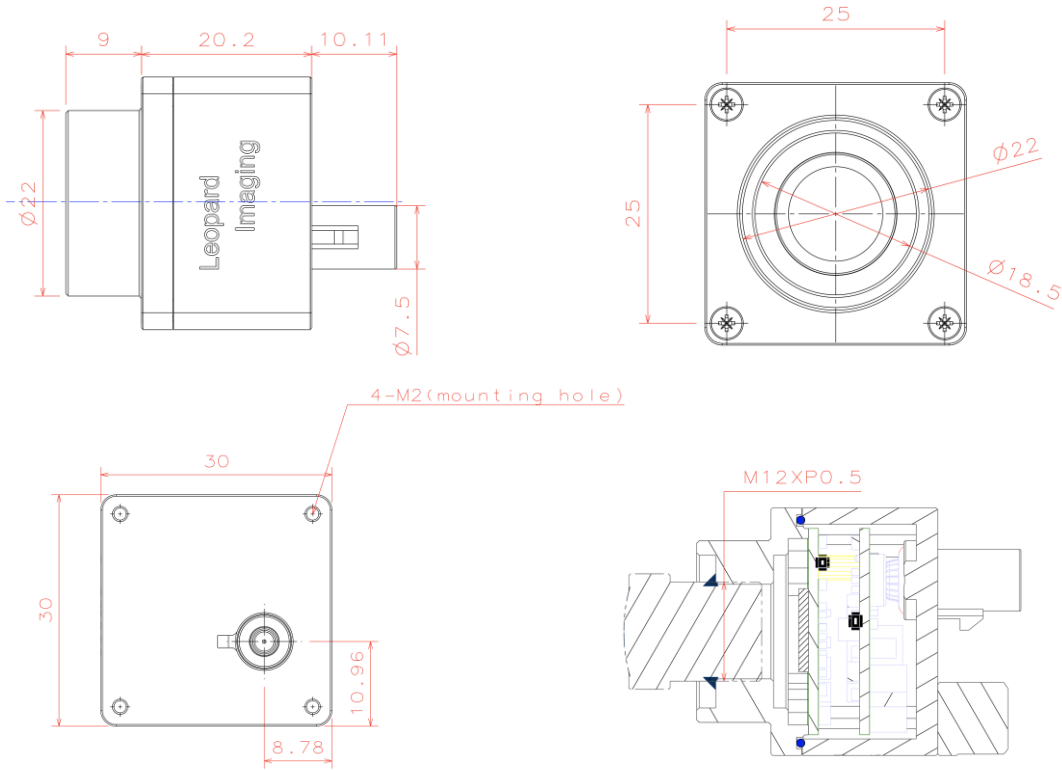


Leopard Imaging Inc.

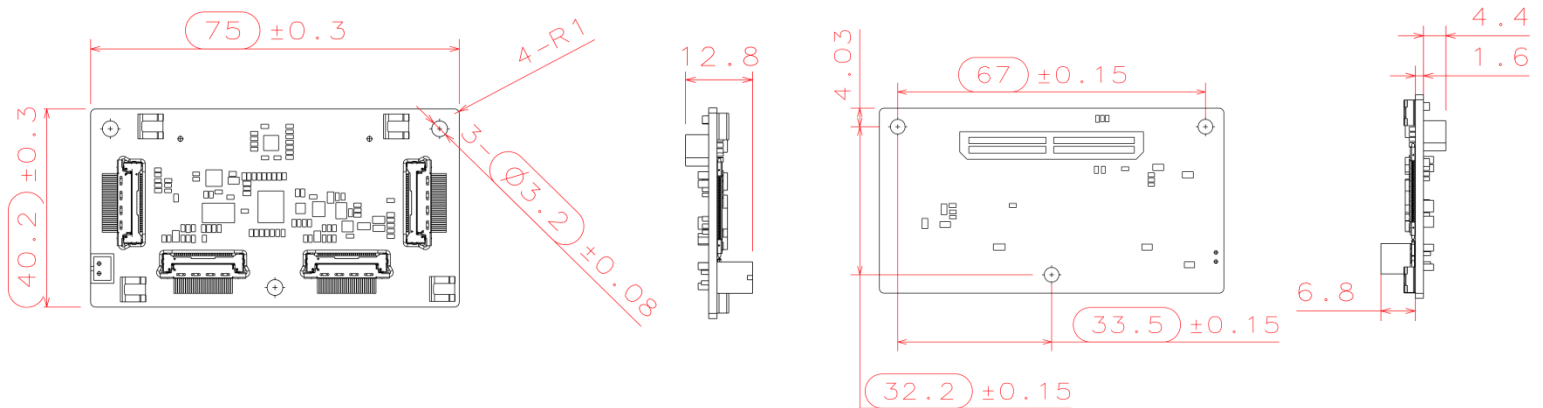
48820 Kato Rd, Suite 100B, Fremont, CA 94538, USA  
Phone: +1-408-263-0988  
Fax: +1-408-217-1960  
Email: [sales@leopardimaging.com](mailto:sales@leopardimaging.com)  
Website: [www.leopardimaging.com](http://www.leopardimaging.com)

# Dimensions

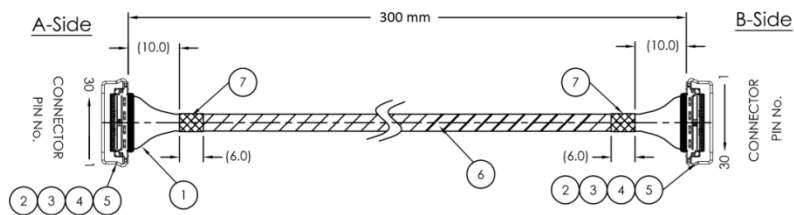
## LI-AR0231-GMSL2-xxxH (without lens)



## LI-JXAV-MIPI-ADPT-4CAM



## FAW-1233-03



Leopard Imaging Inc.

48820 Kato Rd, Suite 100B, Fremont, CA 94538, USA  
 Phone: +1-408-263-0988  
 Fax: +1-408-217-1960  
 Email: sales@leopardimaging.com  
 Website: www.leopardimaging.com

| Camera Spec  |  |
|--|--|
| Image Sensor   | ON SEMI 2.3MP AR0231 RCCB Sensor   |
| Optical format   | 1/2.7"   |
| Number of active pixels  | 1928 (H) x 1208 (V)  |
| Pixel size   | 3.0um (H) x 3.0um (V)  |
| Color or Mono  | Color  |
| Interface  | GMSL2 Serial interface   |
| Lens mount   | M12  |
| Weight   | 45 g   |
| Operation Temp   | -40 ~ 105 °C   |
| Storage Temp   | -40 ~ 125 °C   |
| Water proof : IP67 (Up to IP69K) <b>Lens must be glued</b>   |  |
| <ul style="list-style-type: none"> <li>▪ Metal Housing</li> <li>▪ Water-proof M12 lens</li> <li>▪ Sealed Gasket (White)</li> <li>▪ Sealed O-ring (Red)</li> </ul>  |   |
| Cable Connector  |  |
| <ul style="list-style-type: none"> <li>▪ Housing Connector- FAKRA Z Type</li> <li>▪ Cable length: 3 meters<br/>Support single Coax Cable transmit up to 15 meters</li> <li>▪ Cable Part#: FAK-SMZSMZ-0008<br/>FAKRA type connectors</li> </ul> |  |

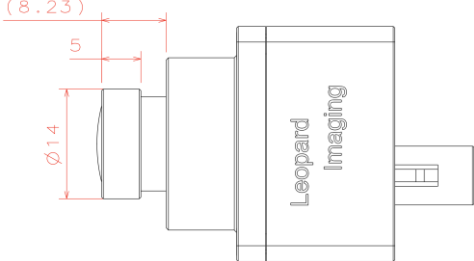


## Lens Information

**Part#: LI-AR0231-GMSL2-XAVIER-xxxH**

Note:

xxxH - 060H: FOV H 60°  
 120H: FOV H 120°  
 200H: FOV H 200°

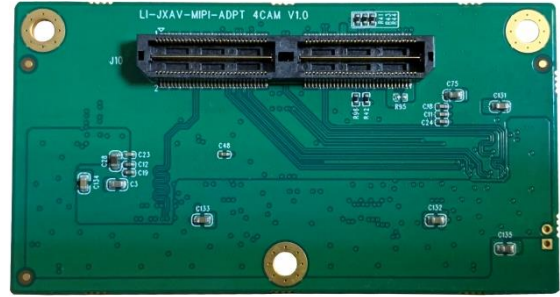
| LI-AR0231-GMSL2-060H   | LI-AR0231-GMSL2-120H   | LI-AR0231-GMSL2-200H  |
|--|--|---|
|    |    |   |
| <p>Lens: M127B0618W<br/>                     Lens EFL: 6.0 mm<br/>                     FOV(D): 74.5°<br/>                     FOV(H): 60.6°<br/>                     FOV(V): 36.1°</p> | <p>Lens: M128B02820WM12R1<br/>                     Lens EFL: 2.8 mm<br/>                     FOV(D): 148°<br/>                     FOV(H): 122°<br/>                     FOV(V): 74°</p> | <p>Lens: F132B0108WM12<br/>                     Lens EFL: 1.08 mm<br/>                     FOV(D): 200°<br/>                     FOV(H): 200°<br/>                     FOV(V): 200°</p> |
|    |    |    |



Leopard Imaging Inc.

48820 Kato Rd, Suite 100B, Fremont, CA 94538, USA  
 Phone: +1-408-263-0988  
 Fax: +1-408-217-1960  
 Email: sales@leopardimaging.com  
 Website: www.leopardimaging.com

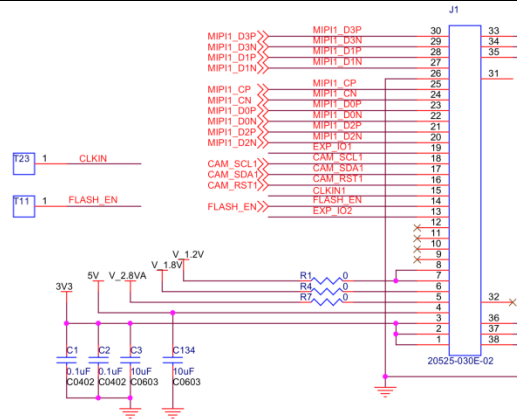
# LI-JXAV-MIPI-ADPT-4CAM



## Interfaces

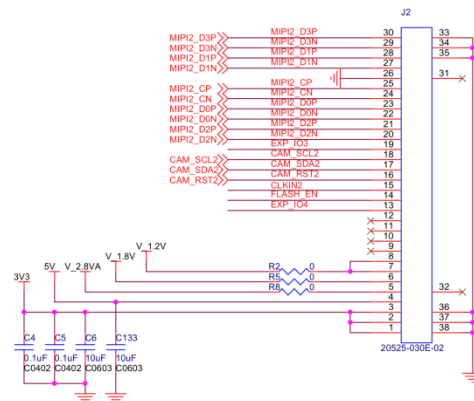
### Interface J1

- Part#: 20525-030E-02C
- Number of Positions: 30
- Pitch: 0.4mm
- Mating I-PEX cable: FAW-1233-03 (300mm)



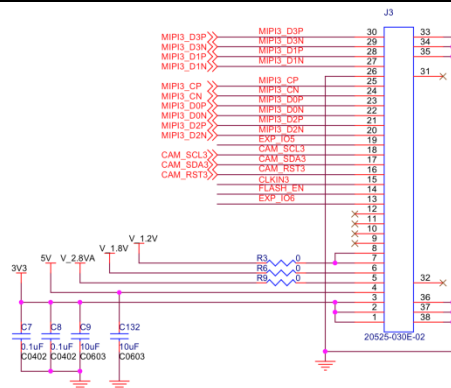
### Interface J2

- Part#: 20525-030E-02C
- Number of Positions: 30
- Pitch: 0.4mm
- Mating I-PEX cable: FAW-1233-03 (300mm)



### Interface J3

- Part#: 20525-030E-02C
- Number of Positions: 30
- Pitch: 0.4mm
- Mating I-PEX cable: FAW-1233-03 (300mm)

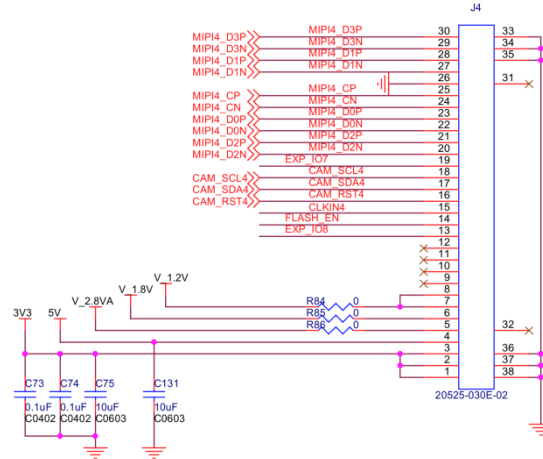


Leopard Imaging Inc.

48820 Kato Rd, Suite 100B, Fremont, CA 94538, USA  
 Phone: +1-408-263-0988  
 Fax: +1-408-217-1960  
 Email: sales@leopardimaging.com  
 Website: www.leopardimaging.com

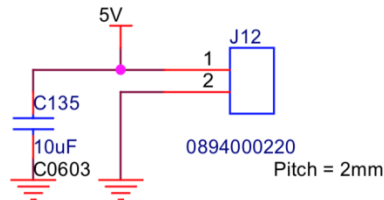
## Interface J4

- Part#: 20525-030E-02C
- Number of Positions: 30
- Pitch: 0.4mm
- Mating I-PEX cable: FAW-1233-03 (300mm)



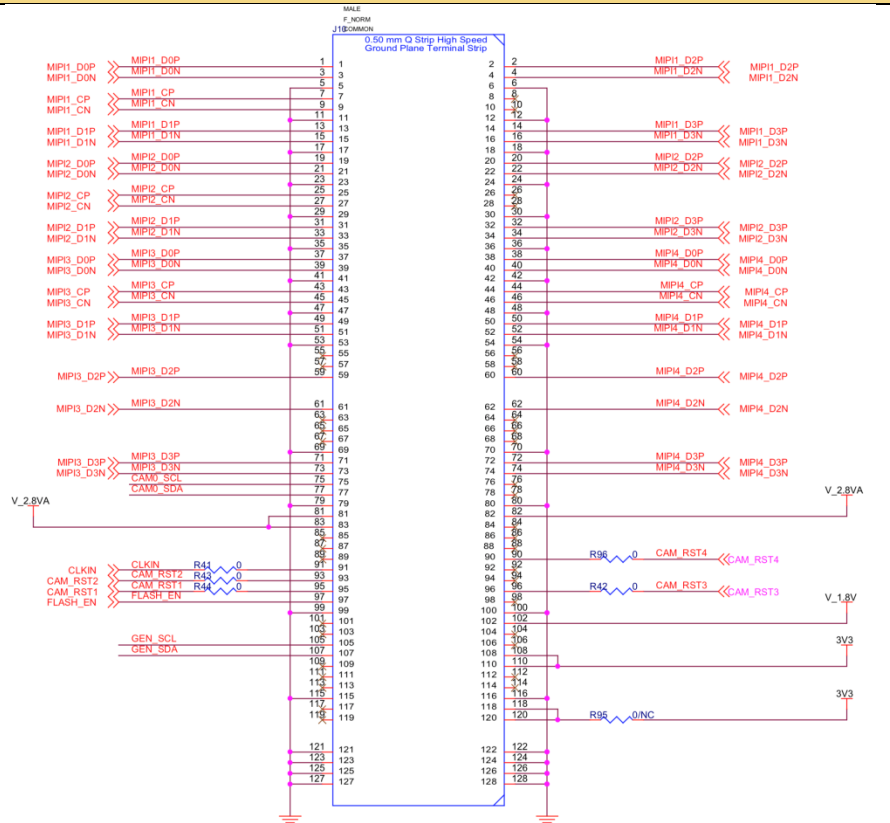
## Interface J5

- Part#: 0894000220
- Number of Positions: 2
- Pitch: 2mm



## Interface J10

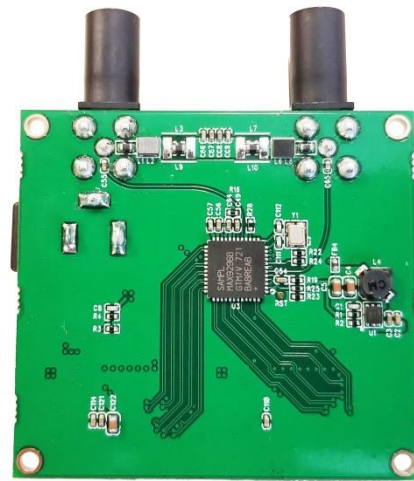
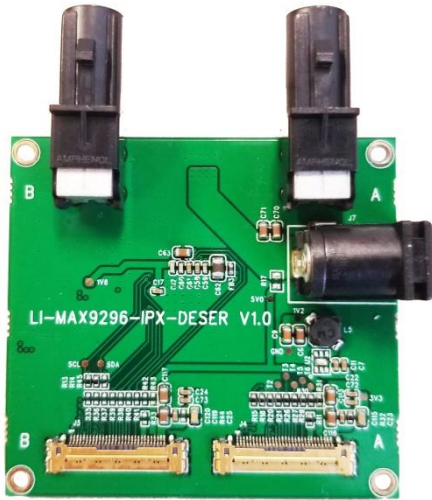
- Part#: QTH-060-01-L-D-A
- Number of Positions: 120
- Number of Rows: 2
- Pitch: 0.5 mm



Leopard Imaging Inc.

48820 Kato Rd, Suite 100B, Fremont, CA 94538, USA  
 Phone: +1-408-263-0988  
 Fax: +1-408-217-1960  
 Email: sales@leopardimaging.com  
 Website: www.leopardimaging.com

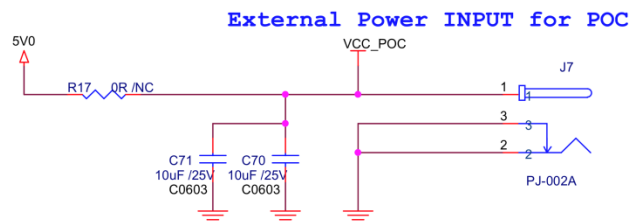
# LI-GMSL2-IPX-DESER



## Interfaces

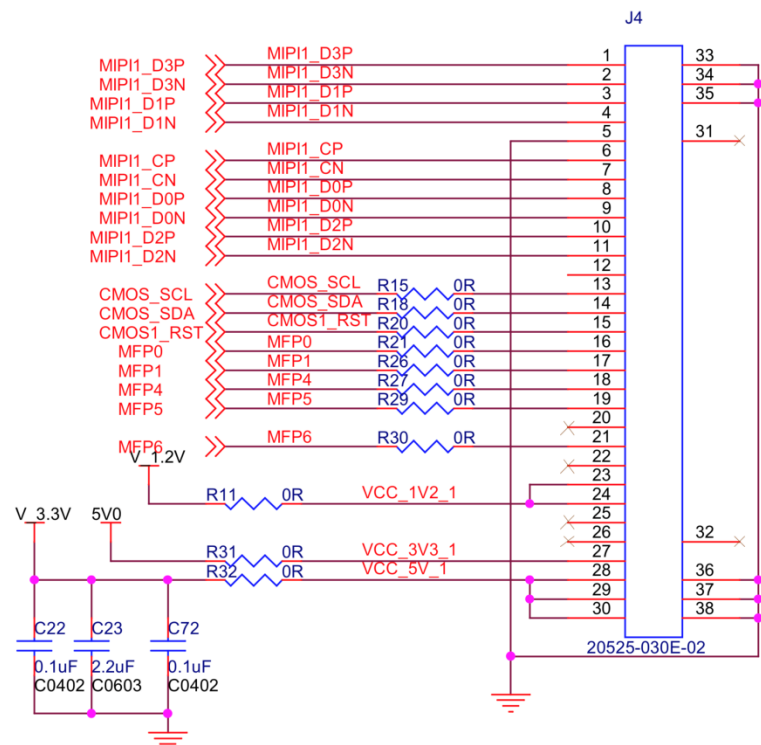
### Interface J7

- Part#: PJ-002A
- Power Supply: 12V DC



### Interface J4

- Part#: 20525-030E-02C
- Number of Positions: 30
- Pitch: 0.4mm
- Mating I-PEX cable: FAW-1233-03 (300mm)



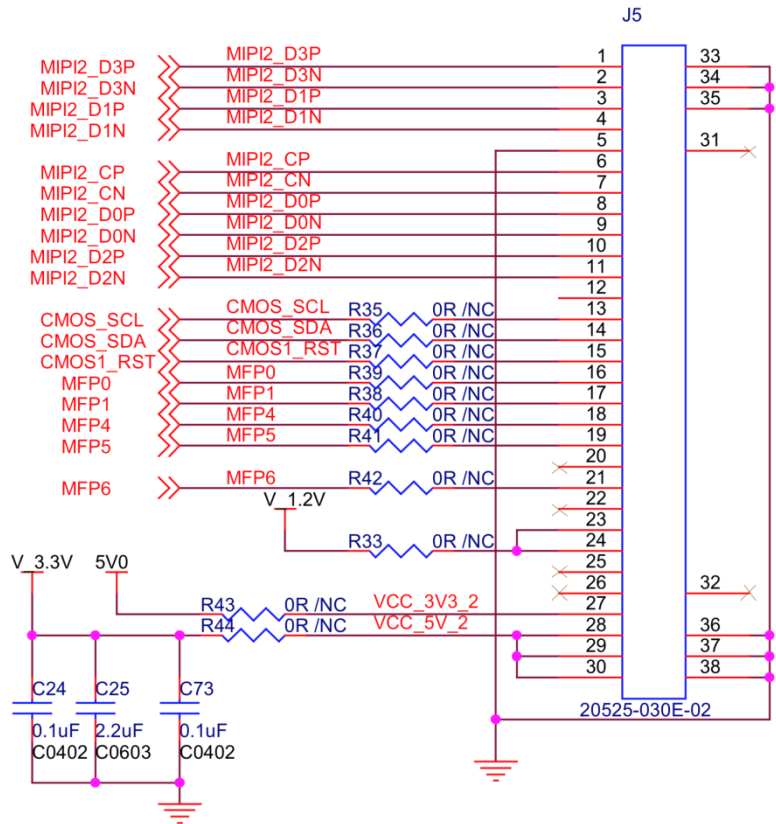
Leopard Imaging Inc.

48820 Kato Rd, Suite 100B, Fremont, CA 94538, USA  
 Phone: +1-408-263-0988  
 Fax: +1-408-217-1960  
 Email: sales@leopardimaging.com  
 Website: www.leopardimaging.com

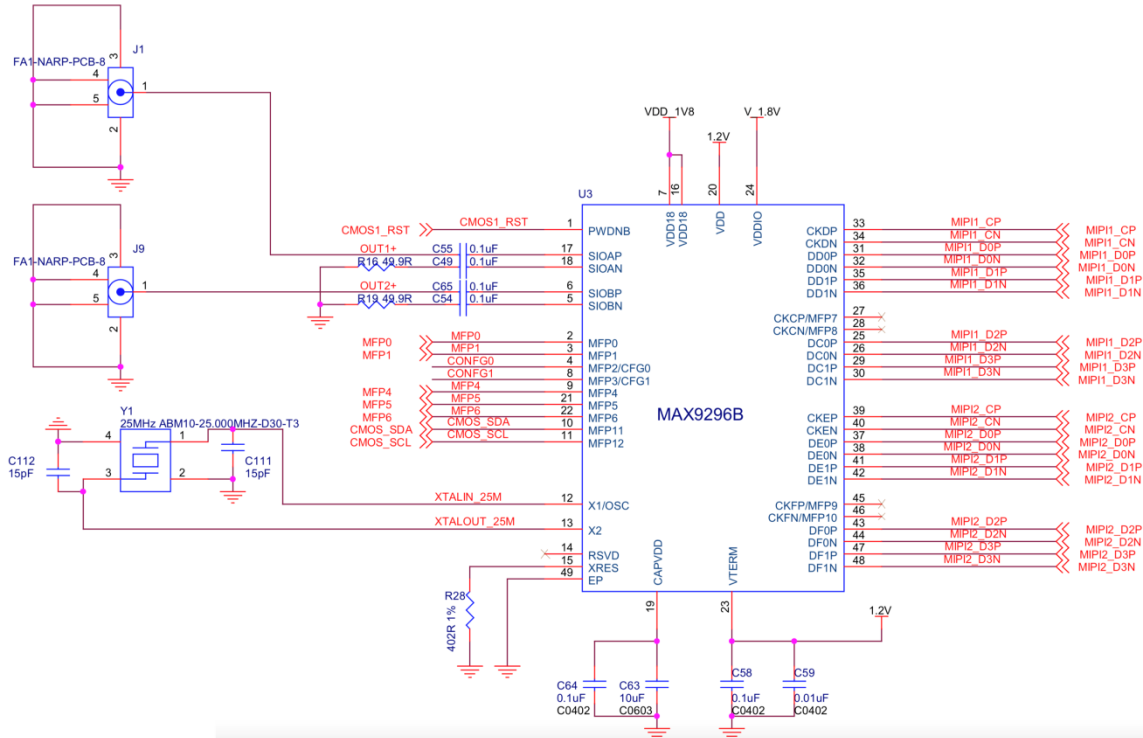


## Interface J5

- Part#: 20525-030E-02C
- Number of Positions: 30
- Pitch: 0.4mm
- Mating I-PEX cable: FAW-1233-03 (300mm)



## De-Serializer



Leopard Imaging Inc.

48820 Kato Rd, Suite 100B, Fremont, CA 94538, USA  
 Phone: +1-408-263-0988  
 Fax: +1-408-217-1960  
 Email: sales@leopardimaging.com  
 Website: www.leopardimaging.com