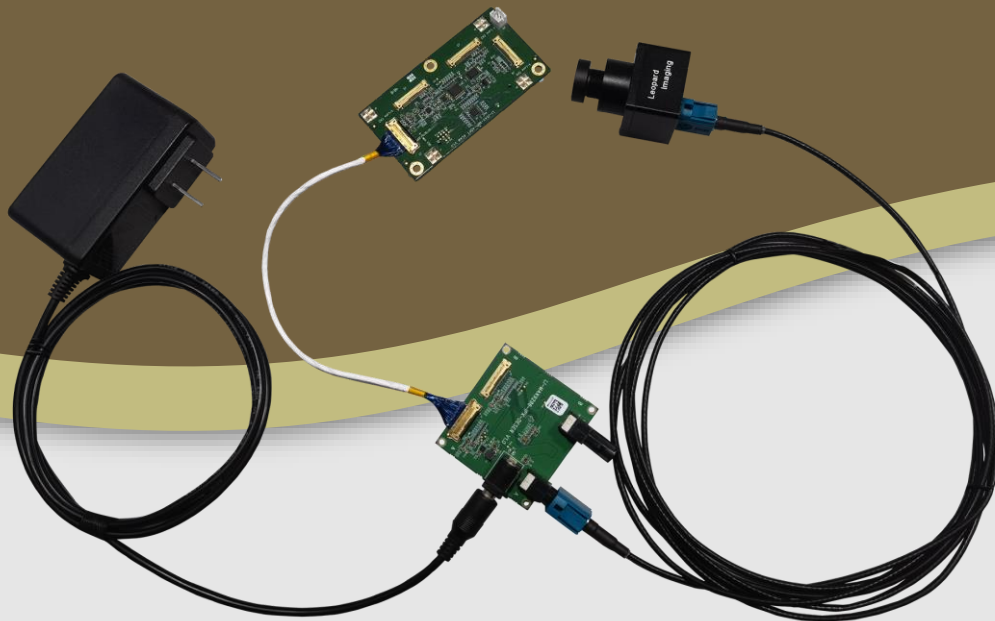




LI-IMX390-GMSL2-XAVIER-xxxH



Address:

910 Auburn Ct
Fremont, CA 94538
USA



Phone:

+1 (408)263-0988

Fax:

+1 (408)217-1960



Sales:

sales@leopardimaging.com

Support:

support@leopardimaging.com

KEY FEATURES

- Compatible with Nvidia® Jetson AGX Xavier™ Developer Kit
- Supports one GMSL2 camera
- Sensor: Sony Diagonal 6.67 mm (Type 1/2.7) CMOS RGGB image sensor IMX390
- Active pixels: 1937 (H) x 1217 (V)
- Pixel size: 3.0 x 3.0 μm
- Color camera
- Lens: FOV H 60° / 120° / 200°
- GMSL2 Serializer
- Includes De-serializer to convert serial interface to MIPI interface
- Length of Fakra cable: 3 meters
- Supports multiple length Fakra cables
- Length of the I-PEX cable: 300 mm
- Supports M12 lens
- Allows customization
- Part#: LI-IMX390-GMSL2-XAVIER-xxxH

060H	LI-IMX390-GMSL2-XAVIER-060H
120H	LI-IMX390-GMSL2-XAVIER-120H
200H	LI-IMX390-GMSL2-XAVIER-200H

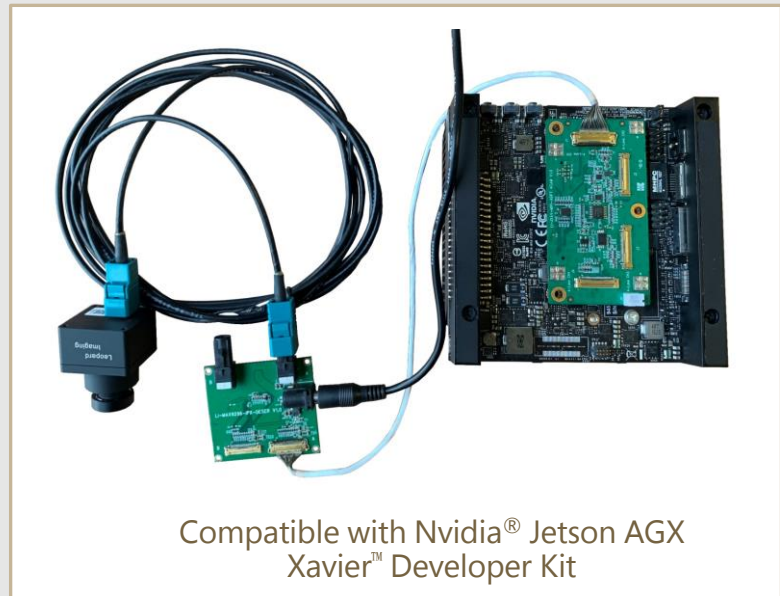
APPLICATIONS

- Automotive ADAS
- 1080P Video Applications
- ADAS + Viewing Fusion

BOM

Nvidia® Jetson AGX Xavier™ Developer Kit is **NOT** included.

#	Items	QTY
1	LI-IMX390-GMSL2-xxxH	1
2	FAK-SMZSMZ 3M	1
3	LI-GMSL2-IPX-DESER	1
4	FAW-1233-03 cable	1
5	LI-JXAV-MIPI-ADPT-4CAM	1
6	LI-PS12-01	1



Compatible with Nvidia® Jetson AGX Xavier™ Developer Kit

LI-IMX390-GMSL2-xxxH

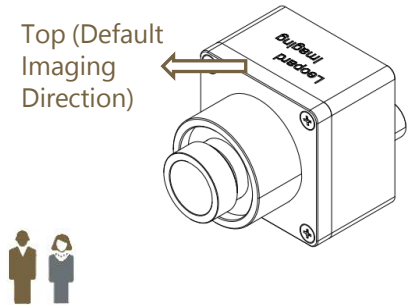


KEY FEATURES

Sensor	Sony Diagonal 6.67 mm (Type 1/2.7) CMOS Image Sensor IMX390
Optical Format	1/2.7"
Resolution	1937 (H) x 1217 (V) (active pixels)
Pixel Size	3.0 x 3.0 μm
Data Format	20-bit / 12-bit RAW data
Color / Mono	Color sensor
Lens	FOV H 60° / 120° / 200°
Serializer	Maxim MAX9295A/B
Power Supply Range	9 ~ 19 VDC
Interface	GMSL2 Serial interface
Operating Temp	-40°C ~ +85°C
Storage Temp	-40°C ~ +85°C
Weight	~ 45 g
Part#	LI-IMX390-GMSL2-xxxH

DEFAULT IMAGING DIRECTION

- The logo "Leopard Imaging" is on the TOP.



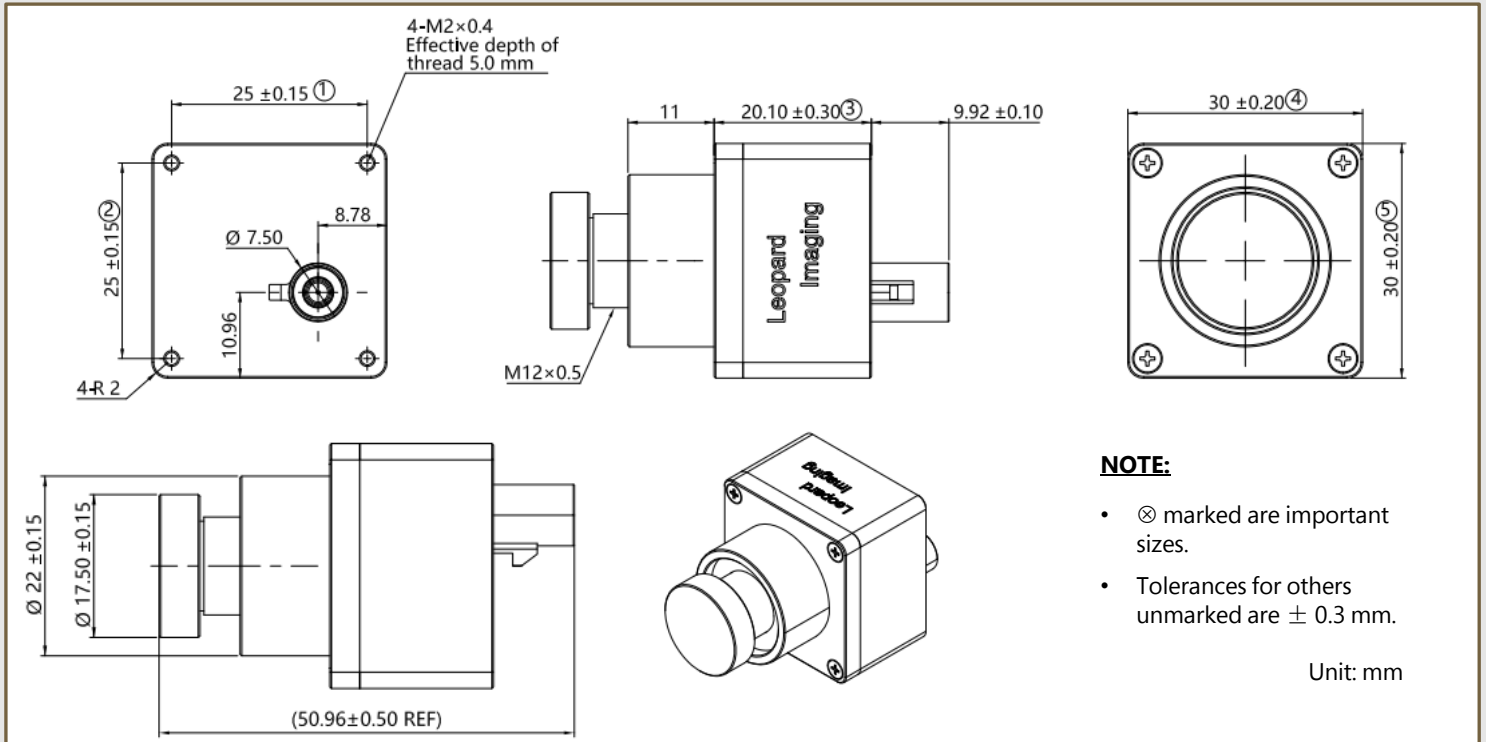
CABLE CONNECTOR

- Housing Connector: FAKRA Z Type
- Cable Length: 3 meters
- Cable Part#: FAK-SMZSMZ-3M

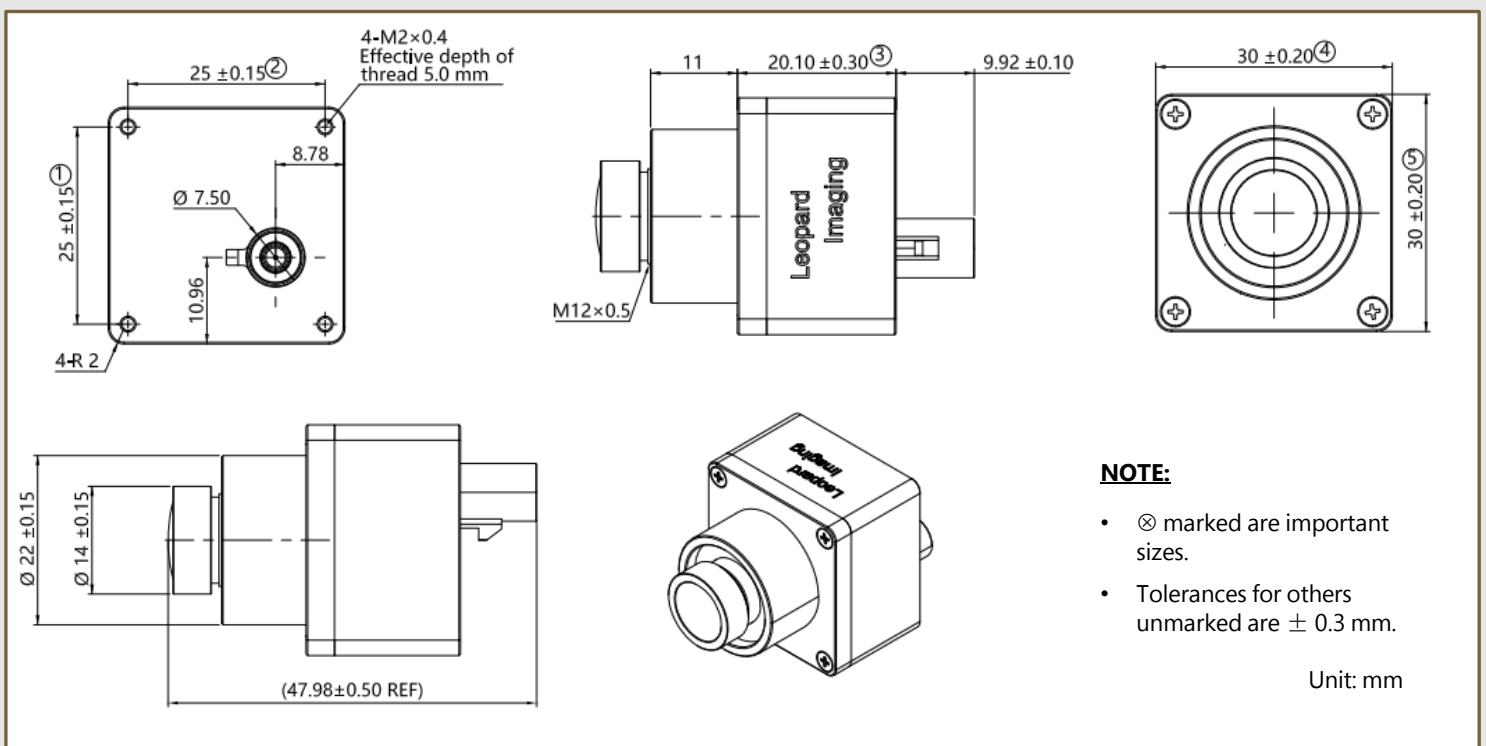


LI-IMX390-GMSL2-xxxH

DIMENSIONS: LI-IMX390-GMSL2-060H

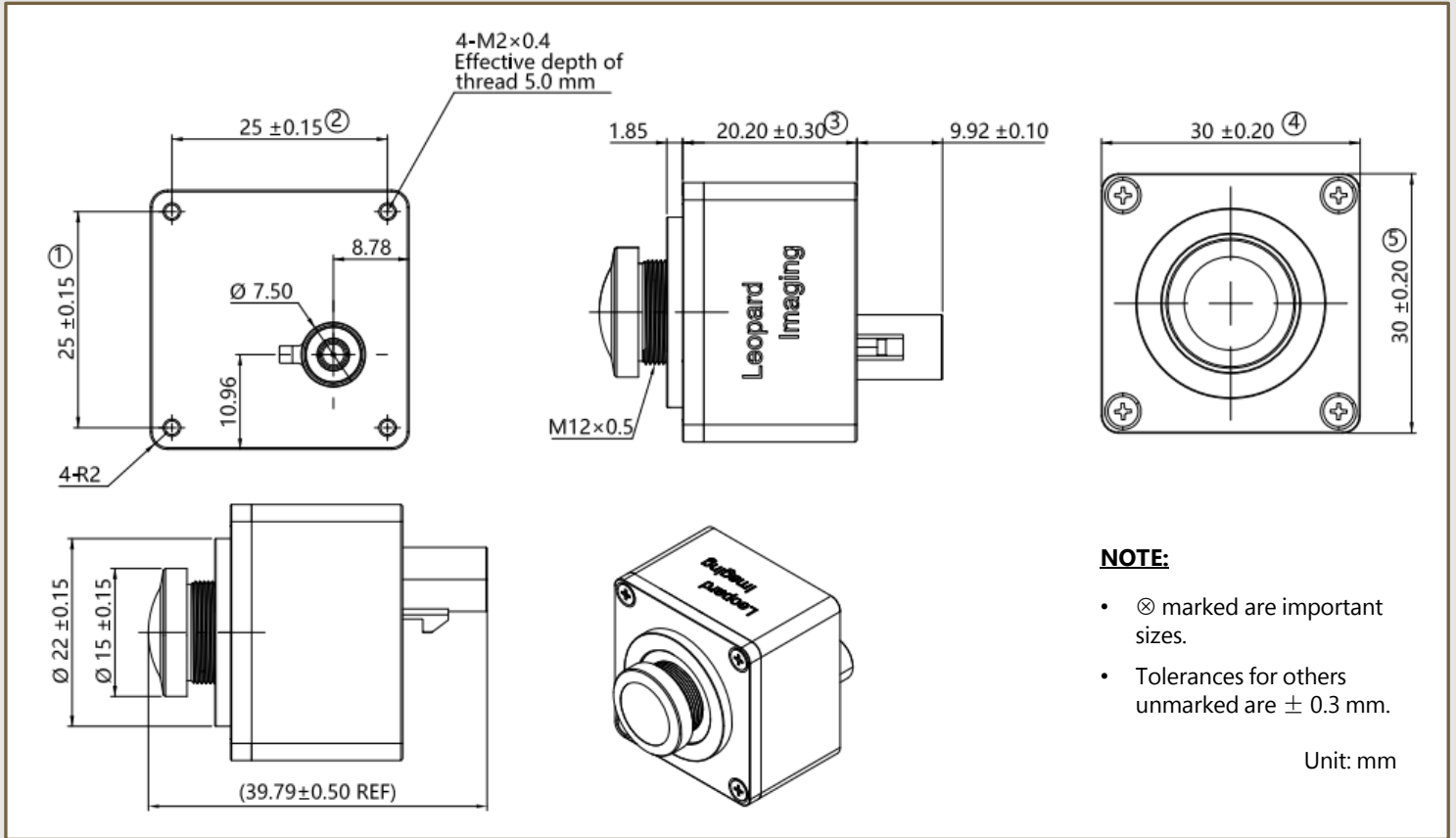


DIMENSIONS: LI-IMX390-GMSL2-120H



LI-IMX390-GMSL2-xxxH

DIMENSIONS: LI-IMX390-GMSL2-200H



LI-IMX390-GMSL2-xxxH

LENS INFORMATION

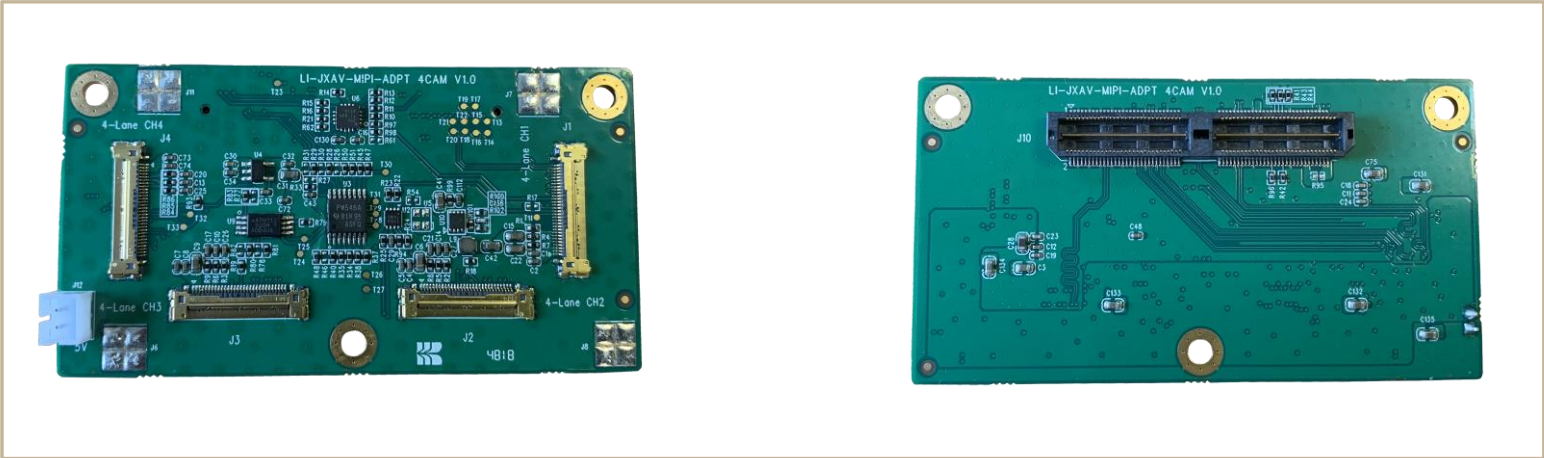
xxxH refers to 060H (FOV H 60°), 120H (FOV H 120°), 200H (FOV H 200°)

LI-IMX390-GMSL2-060H

Lens EFL: 6.0 mm
Field of View (FOV): 74.5° (D) / 60.6° (H) / 36.1° (V)
Mount: M12

LI-IMX390-GMSL2-120H	LI-IMX390-GMSL2-200H
	
Lens EFL: 2.8 mm	Lens EFL: 0.95 mm \pm 5%
Field of View (FOV): 148° (D) / 122° (H) / 74° (V)	Field of View (FOV): 200° (H)
Mount: M12	Mount: M12

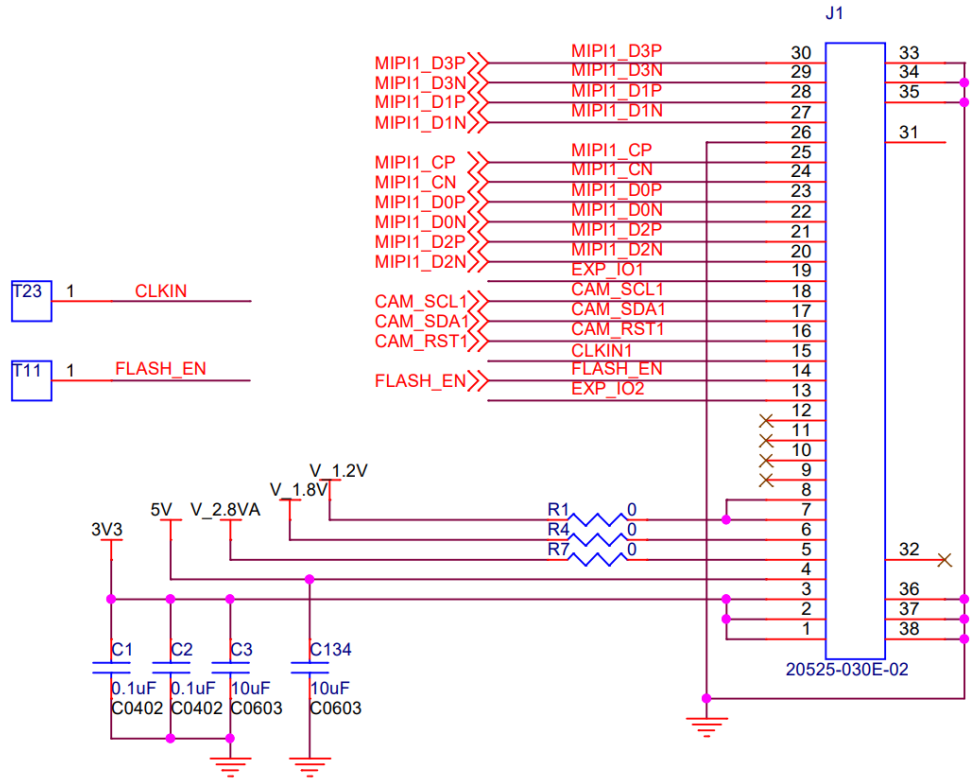
LI-JXAV-MIPI-ADPT-4CAM



INTERFACES

Interface J1 (Camera Channel 1)

- Part#: 20525-030E-02
- Number of Positions: 30
- Pitch: 0.4 mm
- Mating I-PEX Cable: FAW-1233-XX

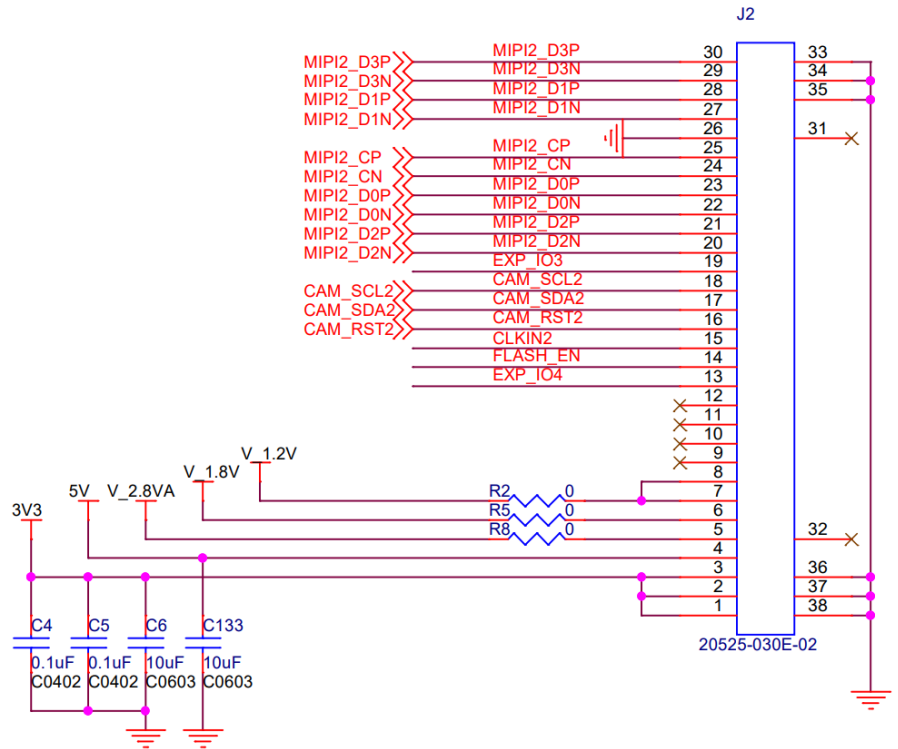


LI-JXAV-MIPI-ADPT-4CAM

INTERFACES

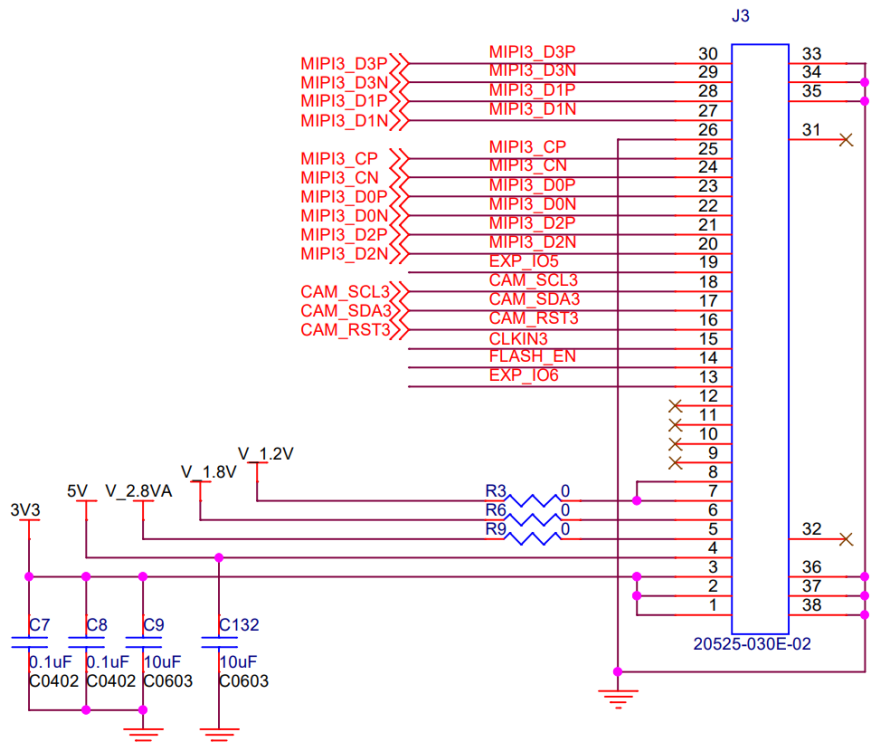
Interface J2 (Camera Channel 2)

- Part#: 20525-030E-02
- Number of Positions: 30
- Pitch: 0.4 mm
- Mating I-PEX Cable: FAW-1233-XX



Interface J3 (Camera Channel 3)

- Part#: 20525-030E-02
- Number of Positions: 30
- Pitch: 0.4 mm
- Mating I-PEX Cable: FAW-1233-XX

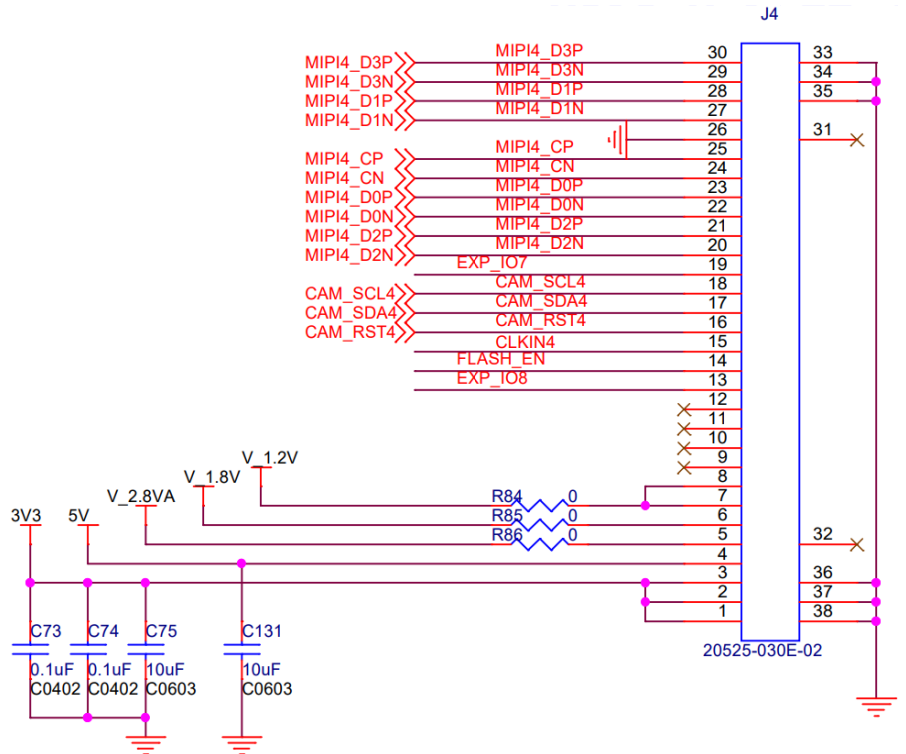


LI-JXAV-MIPI-ADPT-4CAM

INTERFACES

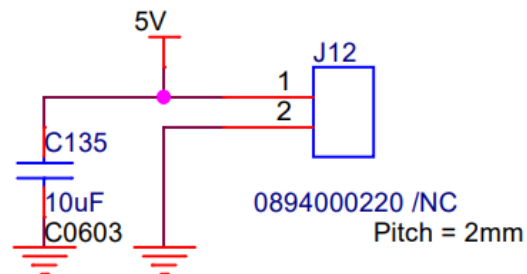
Interface J4 (Camera Channel 4)

- Part#: 20525-030E-02
- Number of Positions: 30
- Pitch: 0.4 mm
- Mating I-PEX Cable: FAW-1233-XX



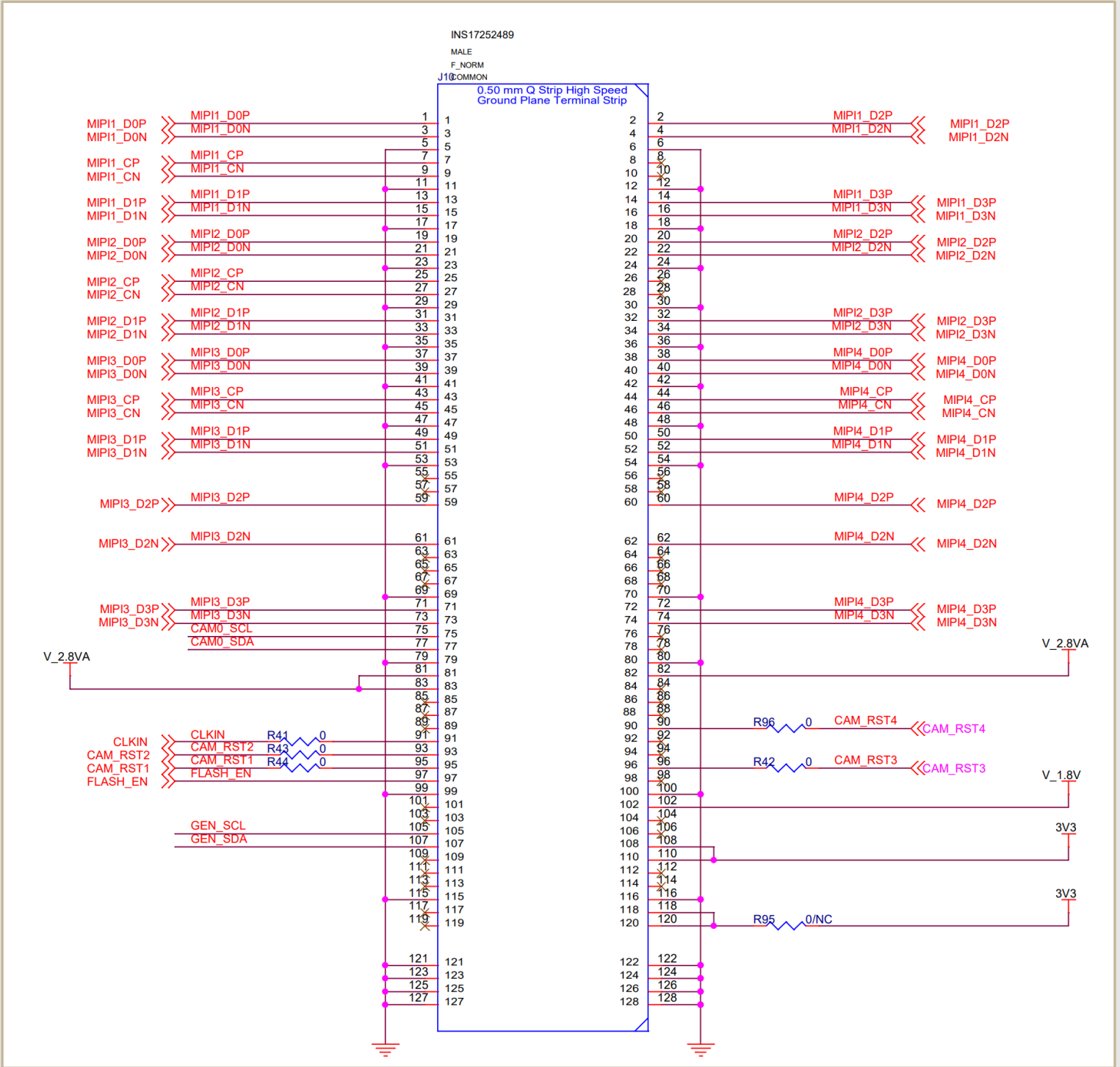
Interface J12 (NOT Used)

- Part#: 0894000220
- Number of Positions: 2
- Pitch: 2 mm



LI-JXAV-MIPI-ADPT-4CAM

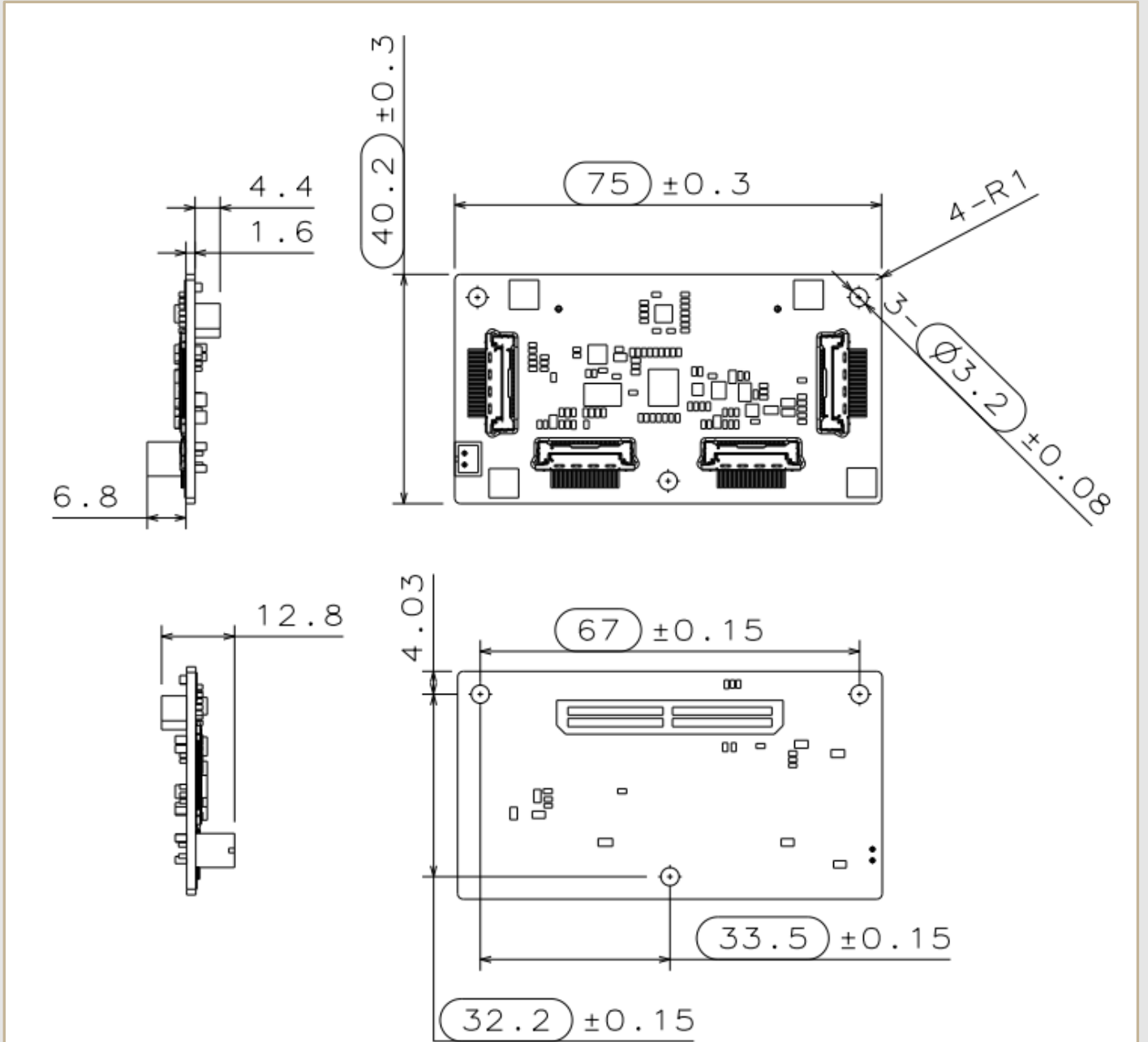
INTERFACE J10 (To Xavier)



- Part#: QTH-060-01-L-D-A
- Number of Positions: 120
- Number of Rows: 2
- Pitch: 0.5 mm

LI-JXAV-MIPI-ADPT-4CAM

DIMENSIONS



NOTE:

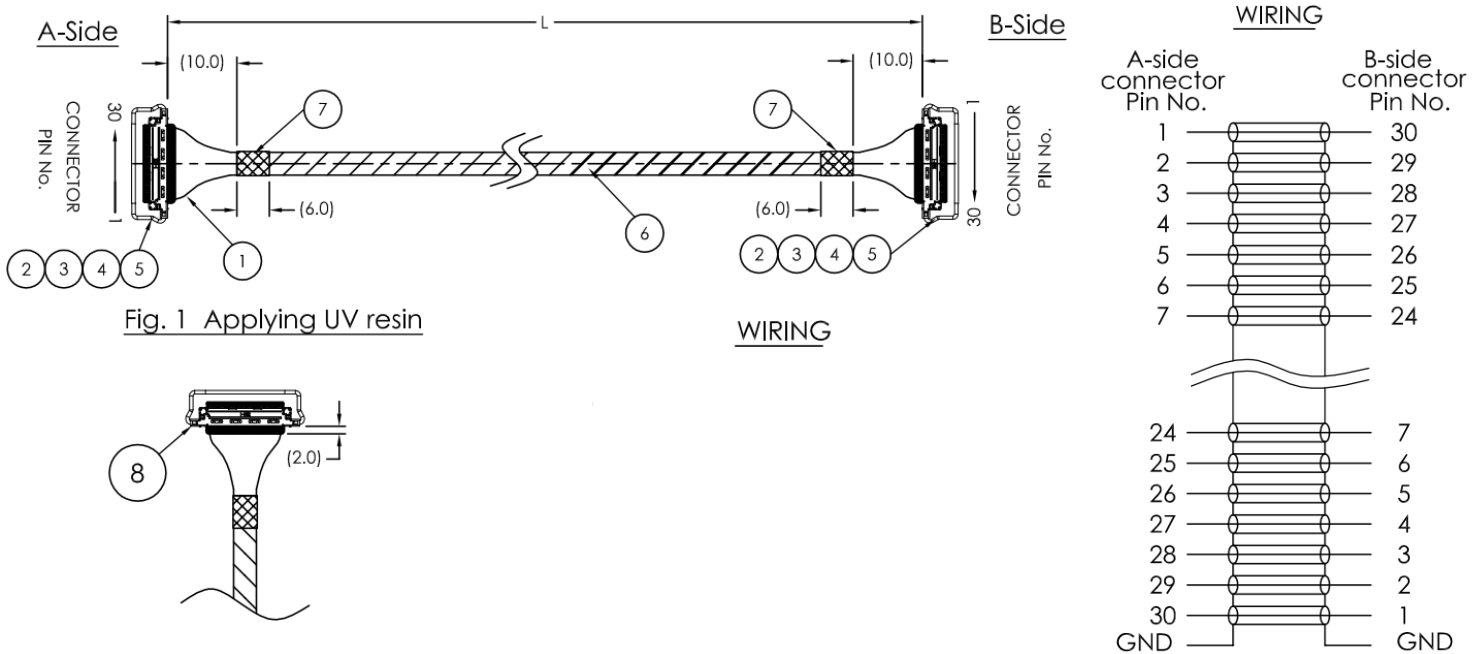
- ◻ marked are important sizes.
- Tolerances for the unmarked are ± 0.3 mm.

Unit: mm

FAW-1233-03 Cable



MECHANICAL DIAGRAM



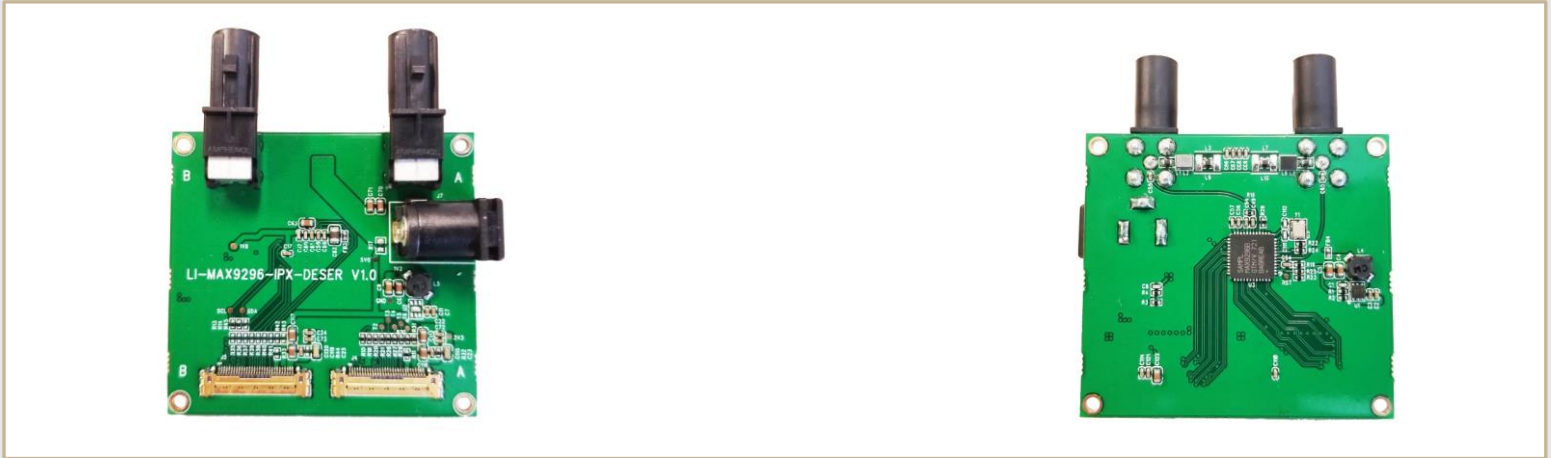
8	UV RESIN	2	LOCBOND P/N : LOCBOND 349
7	TAPE	2	CHUKOH P/N: ASF-116T
6	TAPE	1	CHUKOH P/N: SEF-110
5	FLAT COPPER WIRE	4	GROUND BAR
4	PULL BAR	2	I-PEX P/N : 2766-0301
3	SHIELD PLATE	2	I-PEX P/N : 2764-0301-002
2	CONNECTOR	2	I-PEX P/N : 20634-130T-02
1	CABLE	30	UL10231 AWG40 MCX (Z=50ohm)
ITEM	DESCRIPTION	Q'TY	REMARK

NOTE:

- Total length: 300.0 ± 10.0 .
- Apply UV resin at the end of connector to cover cables both sides of the cable assembly (Fig.1).

Unit: mm

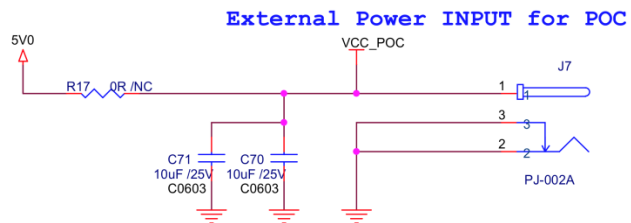
LI-GMSL2-IPX-DESER



INTERFACES

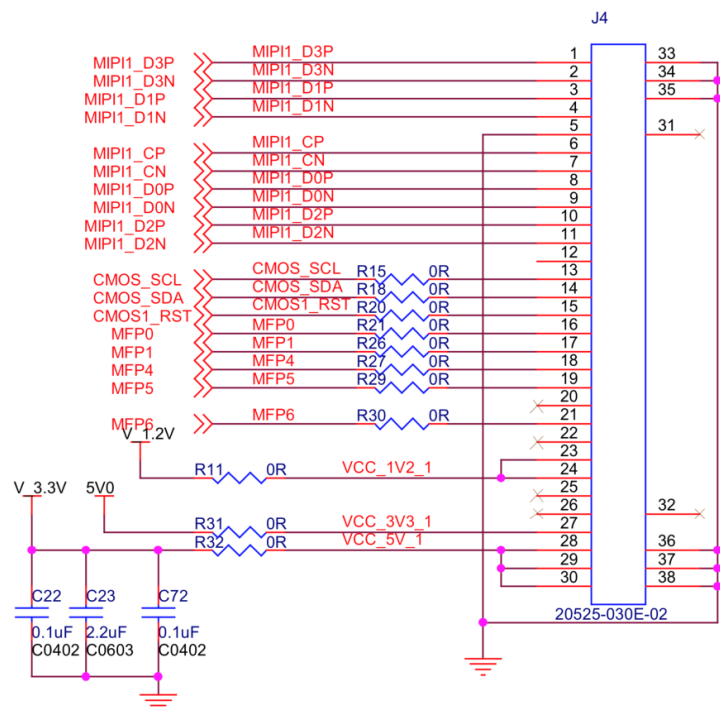
Interface J7

- Part#: PJ-002A
- Power Supply: 12 VDC



Interface J4

- Part#: 20525-030E-02
- Number of Positions: 30
- Pitch: 0.4 mm
- Mating I-PEX cable: FAW-1233-03 (300mm)

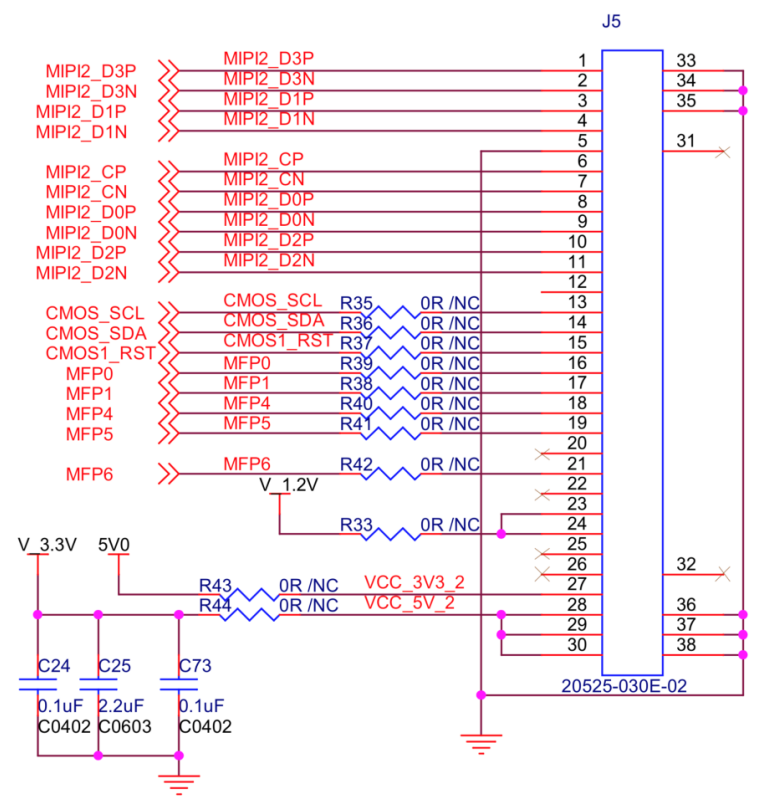


LI-GMSL2-IPX-DESER

INTERFACES

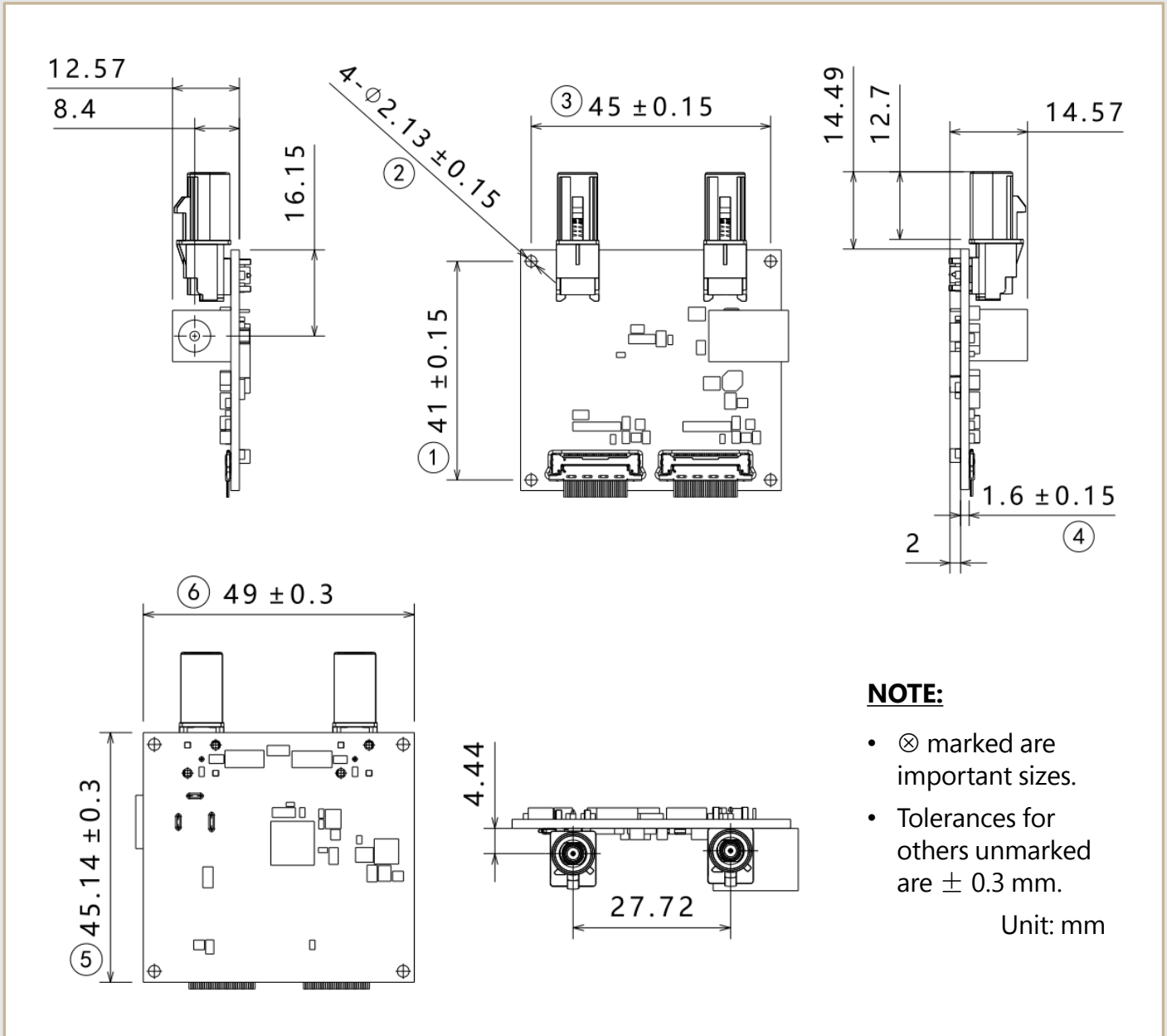
Interface J5

- Part#: 20525-030E-02
- Number of Positions: 30
- Pitch: 0.4 mm
- Mating I-PEX Cable: FAW-1233-XX



LI-GMSL2-IPX-DESER

DIMENSIONS



NOTE:

- ⊗ marked are important sizes.
- Tolerances for others unmarked are ± 0.3 mm.

Unit: mm