



LEOPARD IMAGING INC

# LI-JXAV-MIPI-ADPT-4CAM

## Data Sheet

### Technical details

- Compatible with NVIDIA Jetson AGX Xavier Developer Kit
- Support four 4-lane or 2-lane MIPI cameras
- Support external 5V power supply
- Camera interface part#: 20525-030E-02C
- Support I-PEX cable: FAW-1233-xx
- Size: 75mm x 40mm
- Part#: **LI-JXAV-MIPI-ADPT-4CAM**

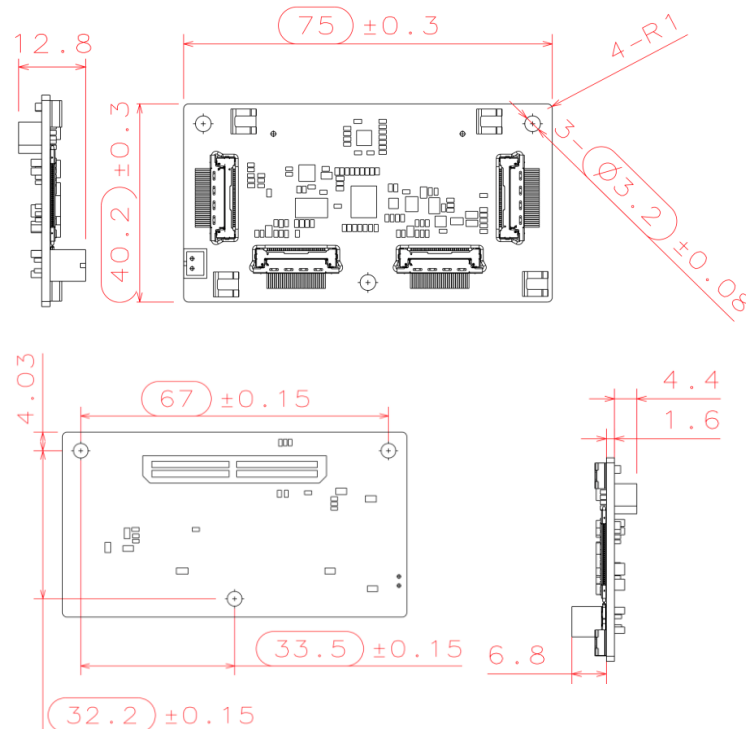


### BOM

#	Items	QTY
1	LI-JXAV-MIPI-ADPT-4CAM	1
2	DC 5V power supply	1



### Dimensions



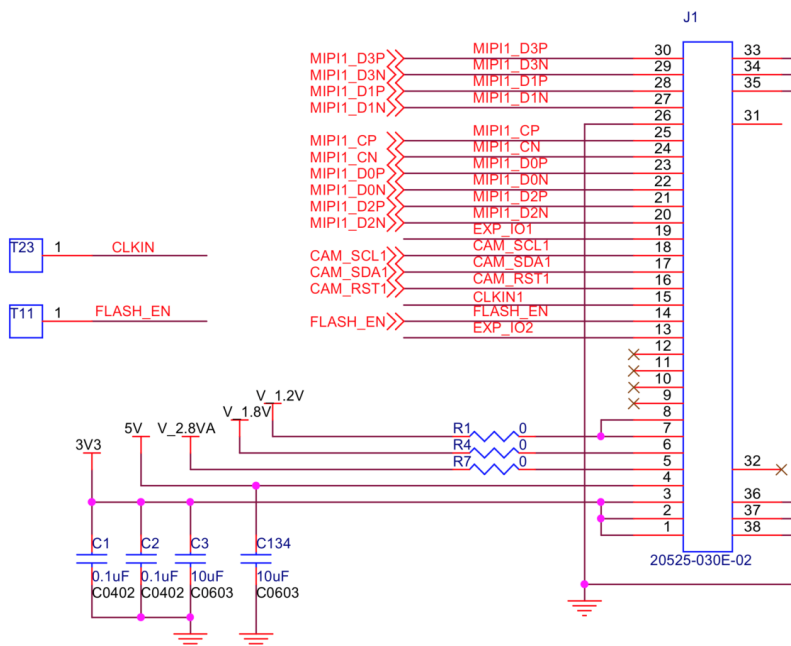
Leopard Imaging Inc.

48820 Kato Rd, Suite 100B, Fremont, CA 94538, USA  
 Phone: +1-408-263-0988  
 Fax: +1-408-217-1960  
 Email: sales@leopardimaging.com  
 Website: www.leopardimaging.com

# Interfaces

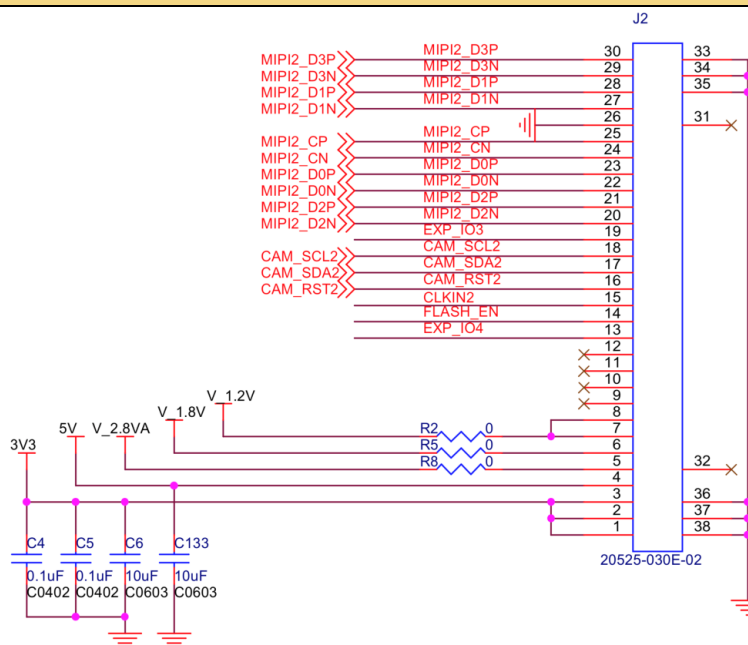
## Interface J1 (camera channel 1)

- Part#: 20525-030E-02C
- Number of Positions: 30
- Pitch: 0.4mm
- Mating I-PEX cable: FAW-1233-xx



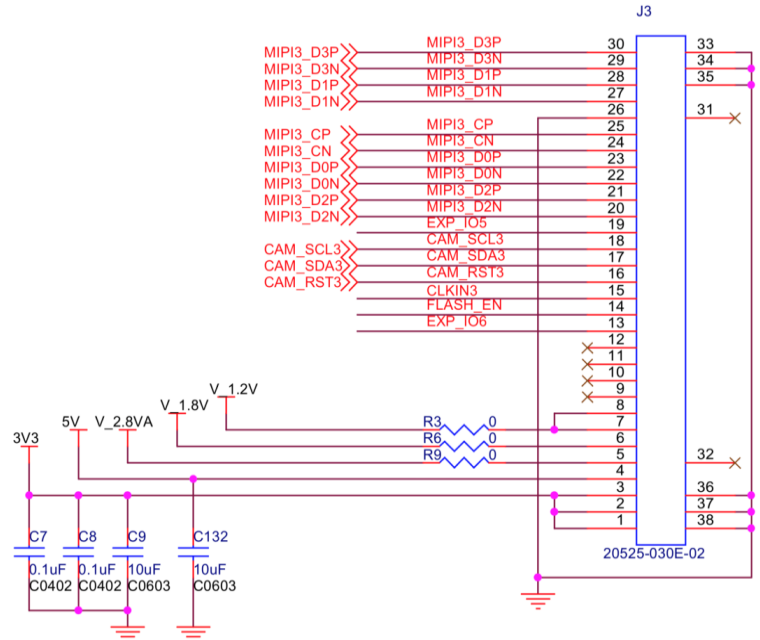
## Interface J2 (camera channel 2)

- Part#: 20525-030E-02C
- Number of Positions: 30
- Pitch: 0.4mm
- Mating I-PEX cable: FAW-1233-xx



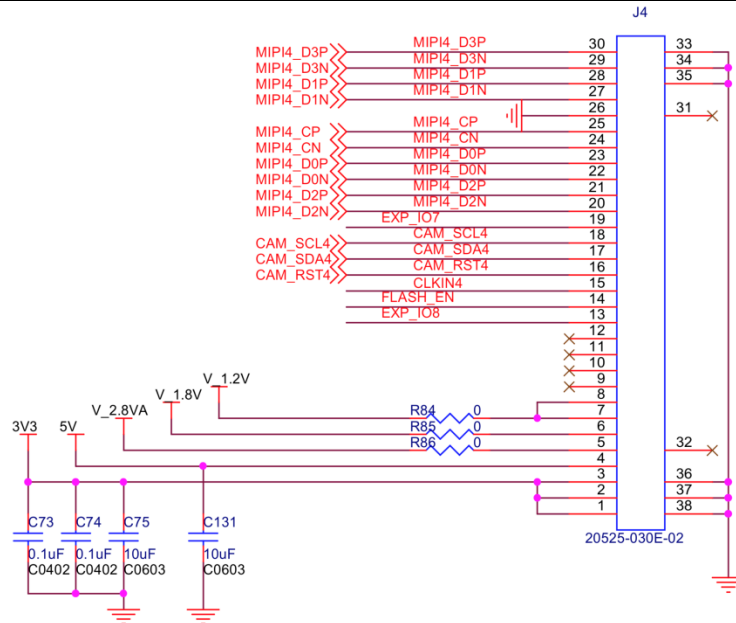
### Interface J3 (camera channel 3)

- Part#: 20525-030E-02C
- Number of Positions: 30
- Pitch: 0.4mm
- Mating I-PEX cable: FAW-1233-xx



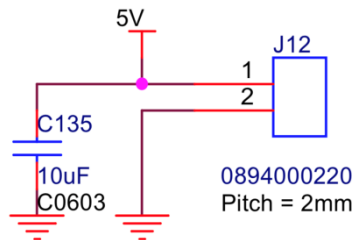
### Interface J4 (camera channel 4)

- Part#: 20525-030E-02C
- Number of Positions: 30
- Pitch: 0.4mm
- Mating I-PEX cable: FAW-1233-xx



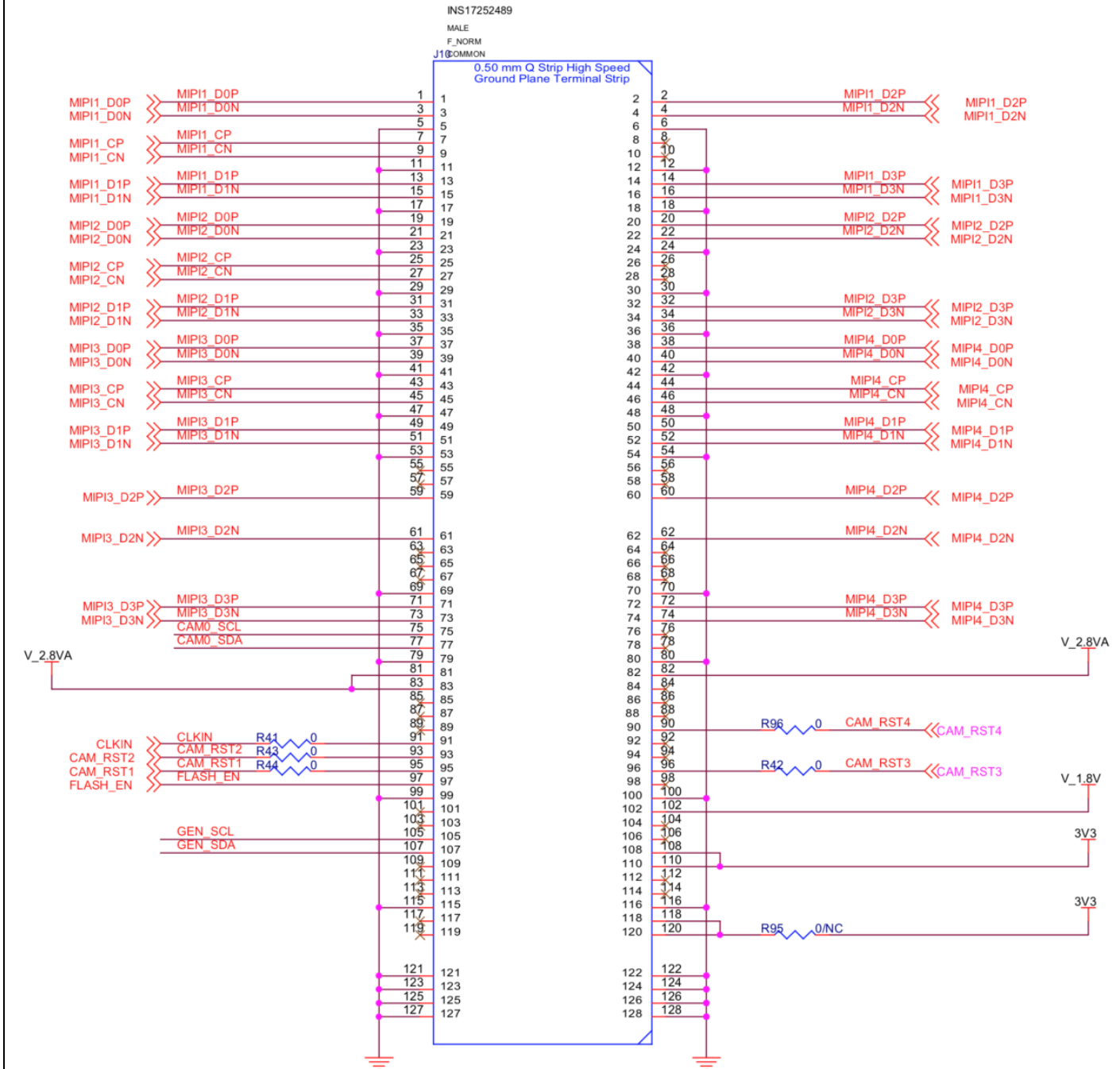
### Interface J12 (External 5V)

- Part#: 0894000220
- Number of Positions: 2
- Pitch: 2 mm



# Interface J10 (To Xavier)

- Part#: QTH-060-01-L-D-A
- Number of Positions: 120
- Number of Rows: 2
- Pitch: 0.5 mm



Leopard Imaging Inc.

48820 Kato Rd, Suite 100B, Fremont, CA 94538, USA  
 Phone: +1-408-263-0988  
 Fax: +1-408-217-1960  
 Email: sales@leopardimaging.com  
 Website: www.leopardimaging.com