

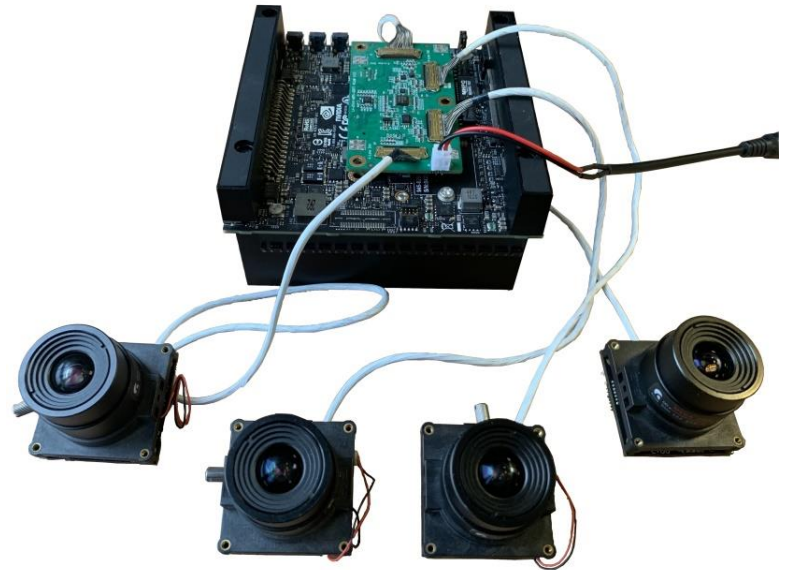


LEOPARD IMAGING INC

# LI-XAVIER-KIT-IMX415CS-X Data Sheet

## Key Features

- Compatible with Nvidia® Jetson AGX Xavier™ Developer Kit
- MIPI CSI-2 interface
- Supports up to six cameras
- Two adapter board options
  - LI-JXAV-MIPI-ADPT-4CAM
  - LI-JXAV-MIPI-ADPT-6CAM-FP
- Sony Diagonal 6.43 mm (Type 1/2.8) CMOS Image Sensor IMX415
- Active pixels: 3864 (H) x 2176 (V)
- Color camera
- Length of the I-PEX cable: 300 mm
- Supports multiple length cables
- Connector Part#: 20525-030E-02C
- Allows customization
- Part#:
  - (1 cam) [LI-XAVIER-KIT-IMX415CS](#)
  - (2 cam) [LI-XAVIER-KIT-IMX415CS-D](#)
  - (3 cam) [LI-XAVIER-KIT-IMX415CS-T](#)
  - (4 cam) [LI-XAVIER-KIT-IMX415CS-Q](#)
  - (6 cam) [LI-XAVIER-KIT-IMX415CS-H](#)



## Lens Spec

- Model: ES0522F.IR
- Focal Length: 5.0 mm
- Aperture, F/#: 2.2
- Built in 650 nm IR cut filter
- FOV (D/ H / V): 80.6° / 70.6° / 40.6°
- TV Distortion: < -8%

## BOM

Nvidia AGX Xavier Developer Kit not included

#	Items	QTY
1	LI-JXAV-MIPI-ADPT-4CAM or LI-JXAV-MIPI-ADPT-6CAM-FP	1
2	LI-IMX415-MIPI-CS	1, 2, 3, 4 or 6
3	FAW-1233-03 cable	1, 2, 3, 4 or 6

## Applications

- Industrial Applications
- Surveillance cameras



Leopard Imaging Inc.

48820 Kato Rd, Suite 100B, Fremont, CA 94538, USA  
 Phone: +1-408-263-0988  
 Fax: +1-408-217-1960  
 Email: sales@leopardimaging.com  
 Website: www.leopardimaging.com

### LI-XAVIER-KIT-IMX415CS

#### BOM

#	Items	QTY
1	LI-JXAV-MIPI-ADPT-4CAM	1
2	LI-IMX415-MIPI-CS	1
3	FAW-1233-03 cable	1



### LI-XAVIER-KIT-IMX415CS-D

#### BOM

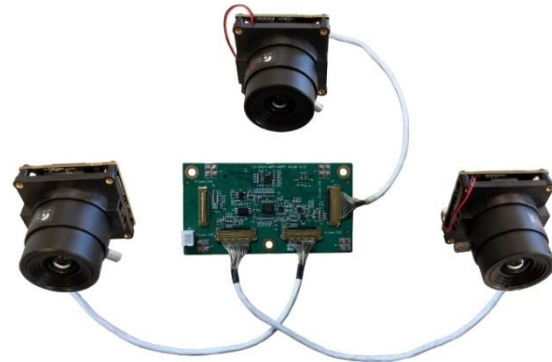
#	Items	QTY
1	LI-JXAV-MIPI-ADPT-4CAM	1
2	LI-IMX415-MIPI-CS	2
3	FAW-1233-03 cable	2



### LI-XAVIER-KIT-IMX415CS-T

#### BOM

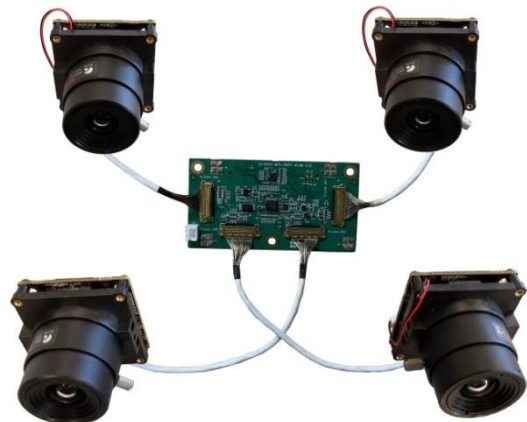
#	Items	QTY
1	LI-JXAV-MIPI-ADPT-4CAM	1
2	LI-IMX415-MIPI-CS	3
3	FAW-1233-03 cable	3



### LI-XAVIER-KIT-IMX415CS-Q

#### BOM

#	Items	QTY
1	LI-JXAV-MIPI-ADPT-4CAM	1
2	LI-IMX415-MIPI-CS	4
3	FAW-1233-03 cable	4



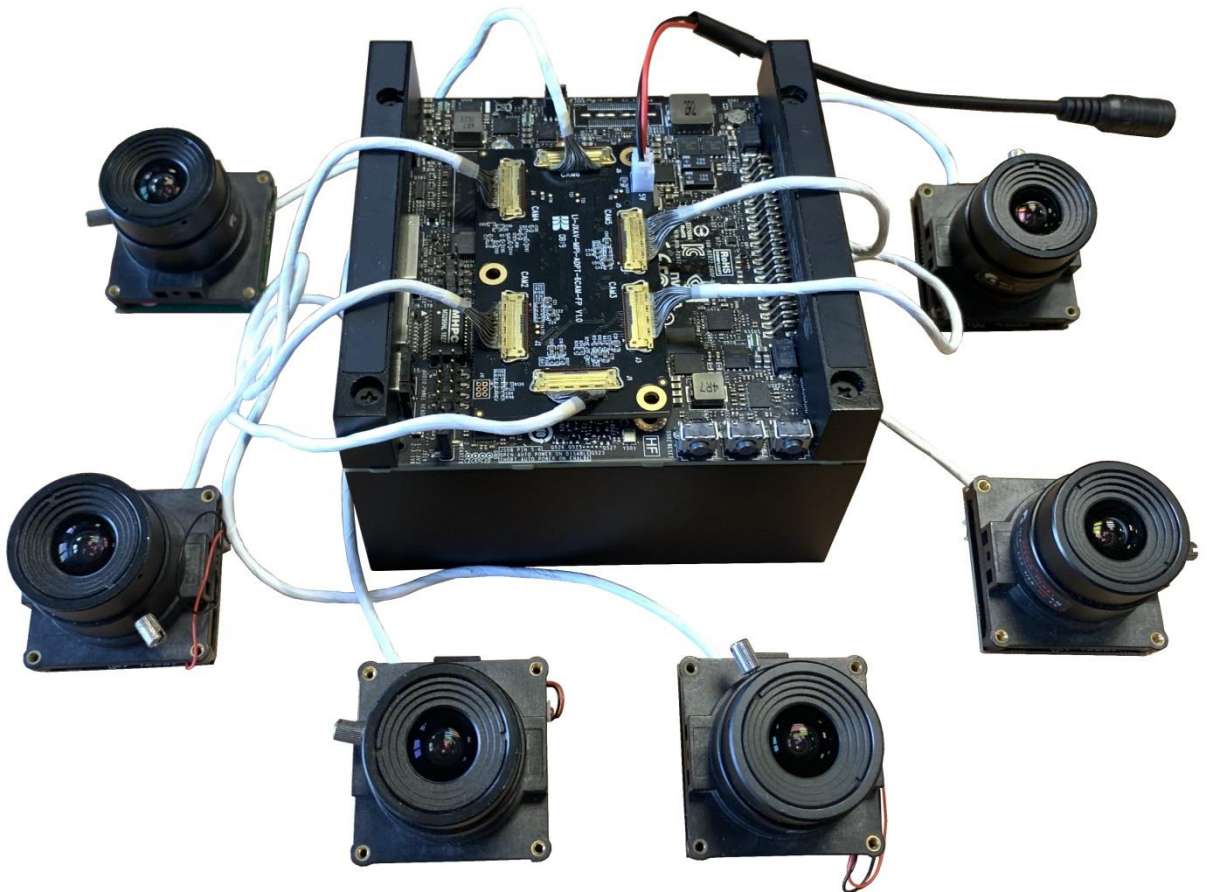
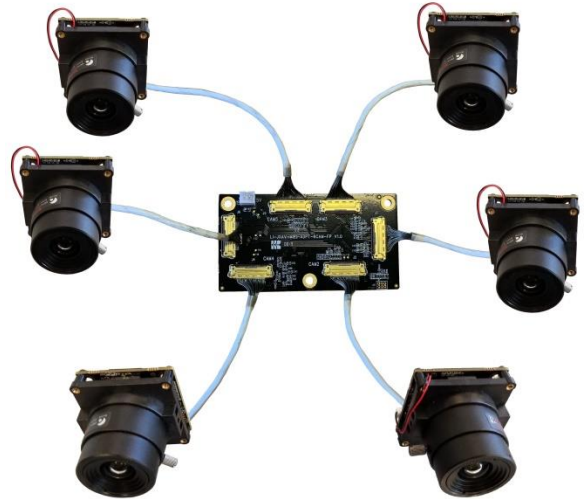
Leopard Imaging Inc.

48820 Kato Rd, Suite 100B, Fremont, CA 94538, USA  
Phone: +1-408-263-0988  
Fax: +1-408-217-1960  
Email: sales@leopardimaging.com  
Website: www.leopardimaging.com

# LI-XAVIER-KIT-IMX415CS-H

## BOM

#	Items	QTY
1	LI-JXAV-MIPI-ADPT-6CAM-FP	1
2	LI-IMX415-MIPI-CS	6
3	FAW-1233-03 cable	6

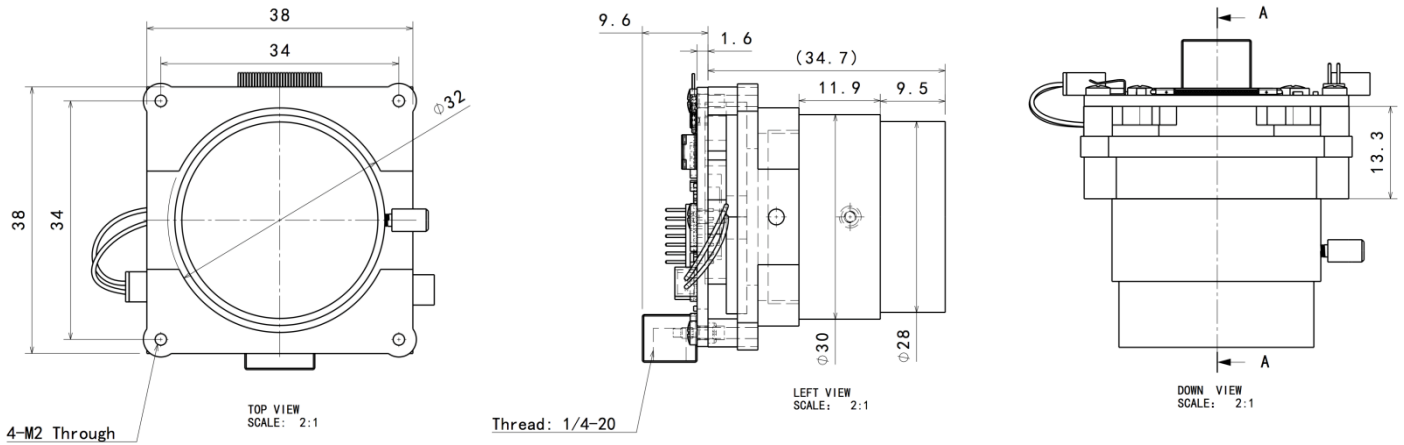


Leopard Imaging Inc.

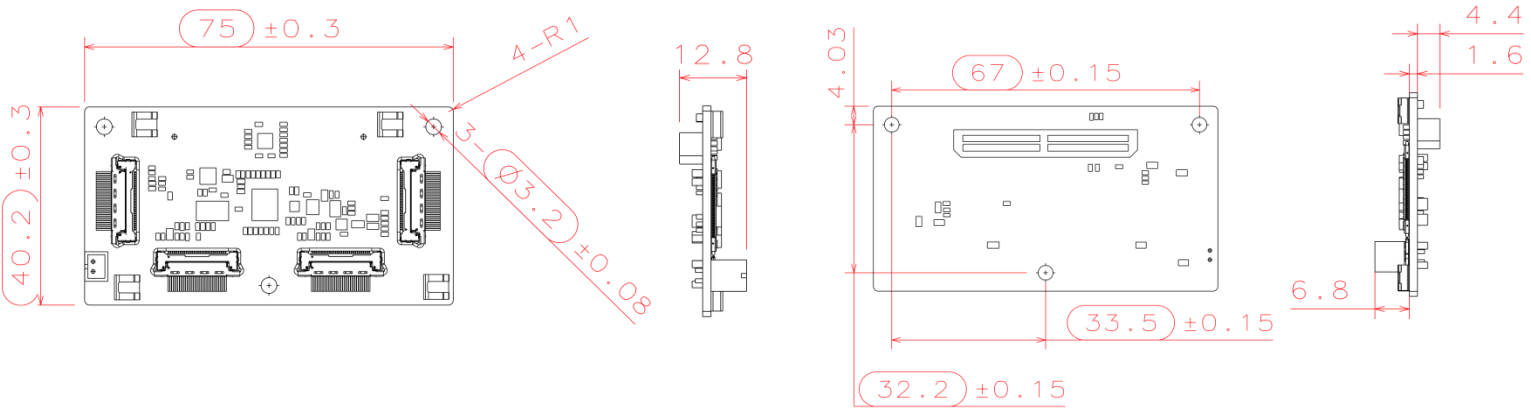
48820 Kato Rd, Suite 100B, Fremont, CA 94538, USA  
Phone: +1-408-263-0988  
Fax: +1-408-217-1960  
Email: sales@leopardimaging.com  
Website: www.leopardimaging.com

# Dimensions

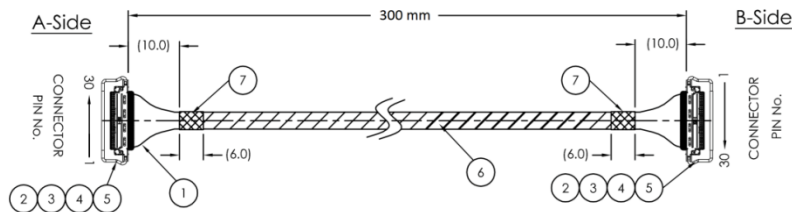
## LI-IMX415-MIPI-CS



## LI-JXAV-MIPI-ADPT-4CAM



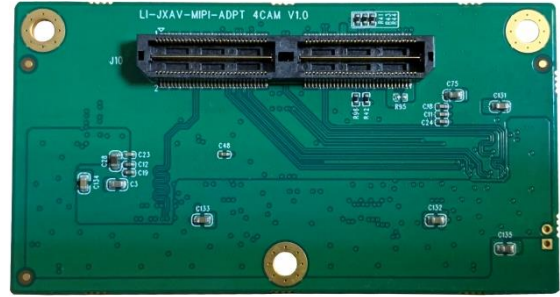
## FAW-1233-03



Leopard Imaging Inc.

48820 Kato Rd, Suite 100B, Fremont, CA 94538, USA  
 Phone: +1-408-263-0988  
 Fax: +1-408-217-1960  
 Email: sales@leopardimaging.com  
 Website: www.leopardimaging.com

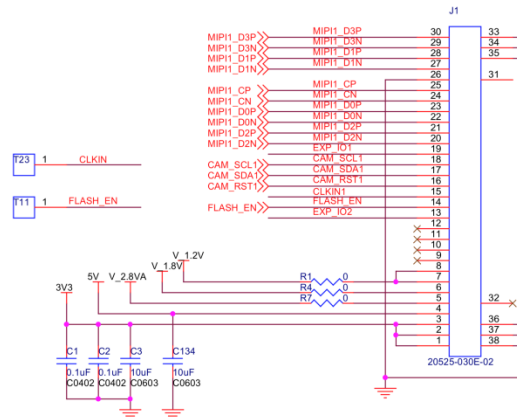
# LI-JXAV-MIPI-ADPT-4CAM



## Interfaces

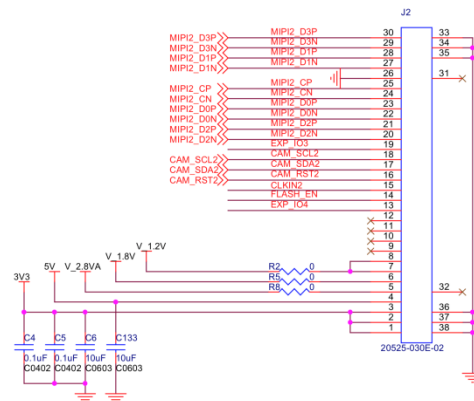
### Interface J1

- Part#: 20525-030E-02C
- Number of Positions: 30
- Pitch: 0.4 mm
- Mating I-PEX cable: FAW-1233-03 (300 mm)



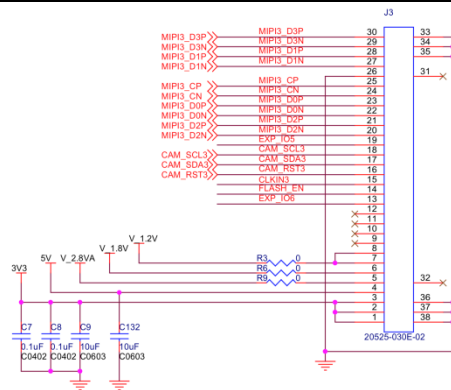
### Interface J2

- Part#: 20525-030E-02C
- Number of Positions: 30
- Pitch: 0.4 mm
- Mating I-PEX cable: FAW-1233-03 (300 mm)



### Interface J3

- Part#: 20525-030E-02C
- Number of Positions: 30
- Pitch: 0.4 mm
- Mating I-PEX cable: FAW-1233-03 (300 mm)

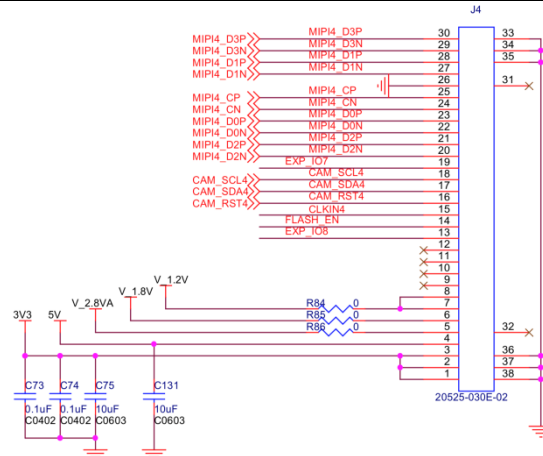


Leopard Imaging Inc.

48820 Kato Rd, Suite 100B, Fremont, CA 94538, USA  
 Phone: +1-408-263-0988  
 Fax: +1-408-217-1960  
 Email: sales@leopardimaging.com  
 Website: www.leopardimaging.com

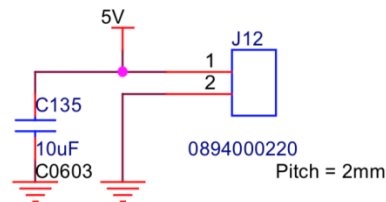
## Interface J4

- Part#: 20525-030E-02C
- Number of Positions: 30
- Pitch: 0.4 mm
- Mating I-PEX cable: FAW-1233-03 (300 mm)



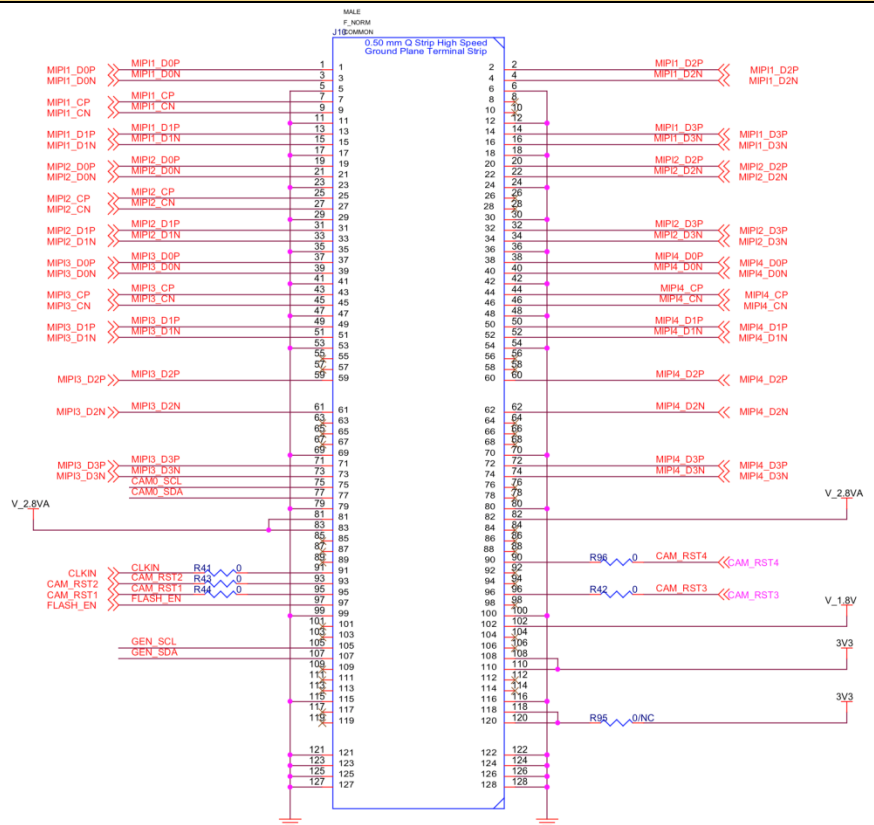
## Interface J5

- Part#: 0894000220
- Number of Positions: 2
- Pitch: 2 mm



## Interface J10

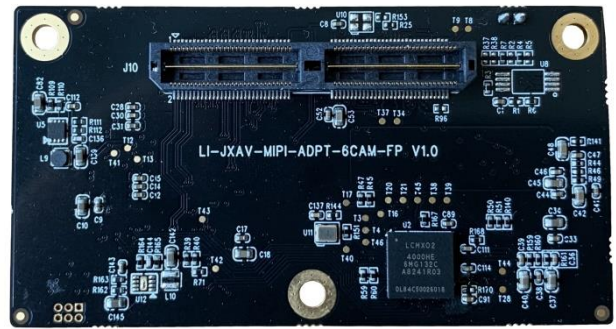
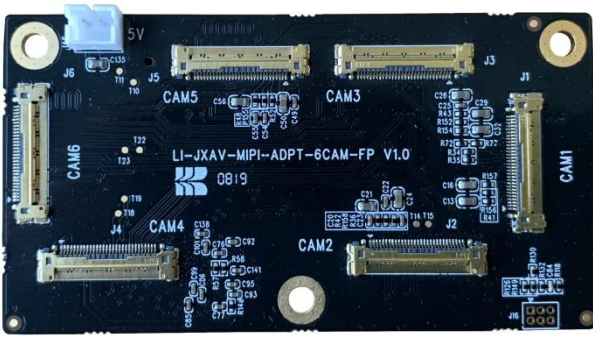
- Part#: QTH-060-01-L-D-A
- Number of Positions: 120
- Number of Rows: 2
- Pitch: 0.5 mm



Leopard Imaging Inc.

48820 Kato Rd, Suite 100B, Fremont, CA 94538, USA  
 Phone: +1-408-263-0988  
 Fax: +1-408-217-1960  
 Email: sales@leopardimaging.com  
 Website: www.leopardimaging.com

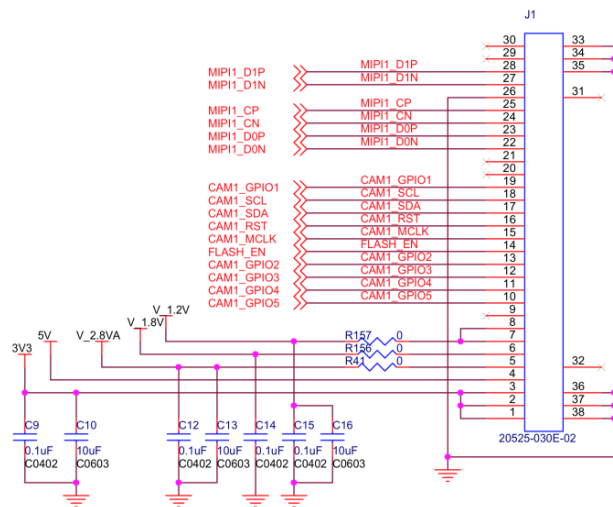
# LI-JXAV-MIPI-ADPT-6CAM-FP



## Interfaces

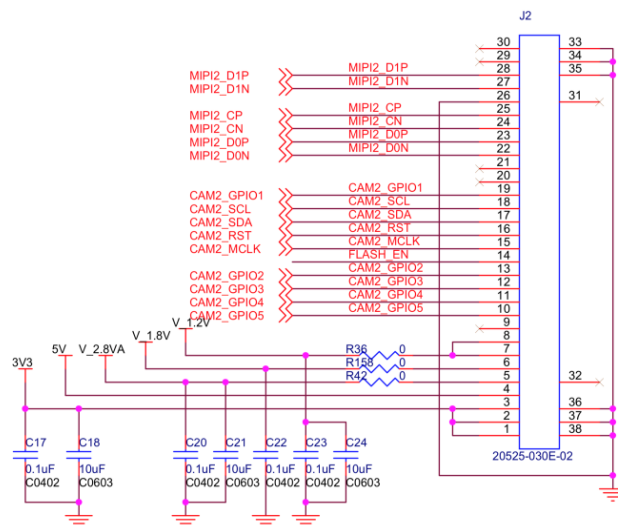
### Interface J1 (Camera Channel 1)

- Part#: 20525-030E-02C
- Number of Positions: 30
- Pitch: 0.4 mm
- Mating I-PEX cable: FAW-1233-xx



### Interface J2 (Camera Channel 2)

- Part#: 20525-030E-02C
- Number of Positions: 30
- Pitch: 0.4 mm
- Mating I-PEX cable: FAW-1233-xx

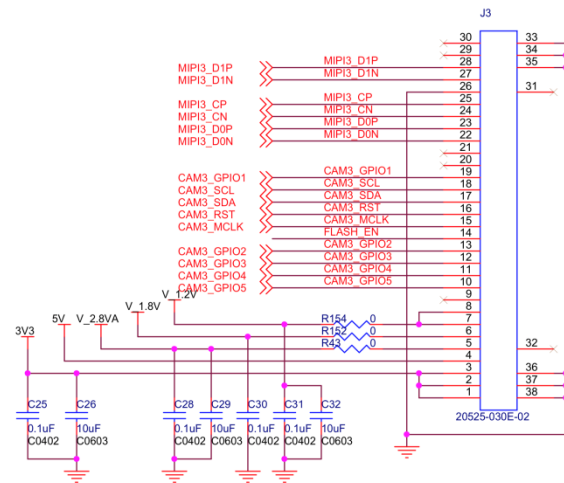


Leopard Imaging Inc.

48820 Kato Rd, Suite 100B, Fremont, CA 94538, USA  
 Phone: +1-408-263-0988  
 Fax: +1-408-217-1960  
 Email: sales@leopardimaging.com  
 Website: www.leopardimaging.com

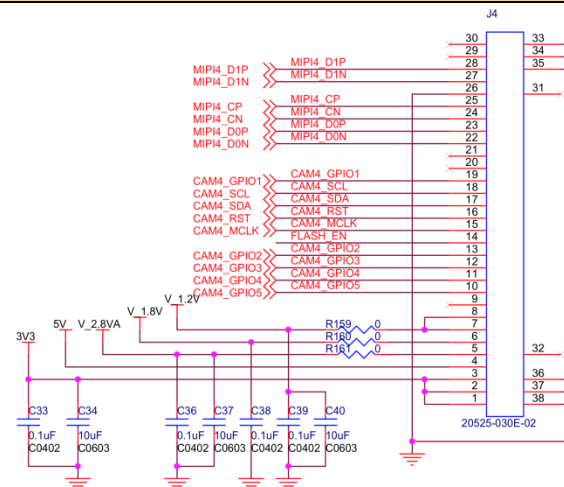
### Interface J3 (Camera Channel 3)

- Part#: 20525-030E-02C
- Number of Positions: 30
- Pitch: 0.4 mm
- Mating I-PEX cable: FAW-1233-xx



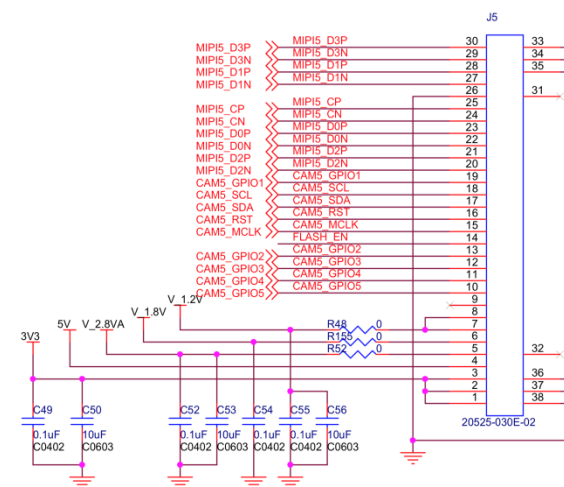
### Interface J4 (Camera Channel 4)

- Part#: 20525-030E-02C
- Number of Positions: 30
- Pitch: 0.4 mm
- Mating I-PEX cable: FAW-1233-xx



### Interface J5 (Camera Channel 5)

- Part#: 20525-030E-02C
- Number of Positions: 30
- Pitch: 0.4 mm
- Mating I-PEX cable: FAW-1233-xx



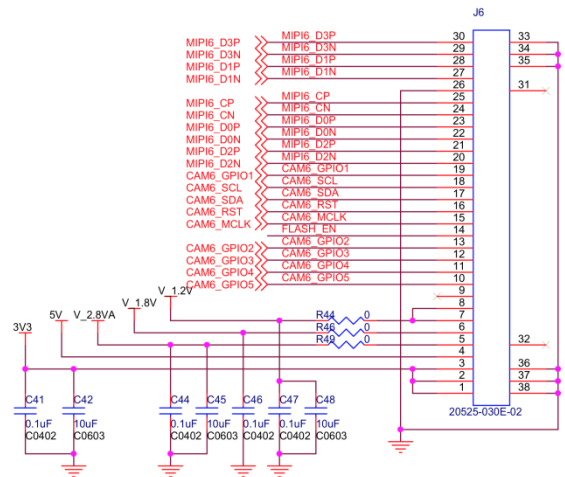
Leopard Imaging Inc.

48820 Kato Rd, Suite 100B, Fremont, CA 94538, USA  
 Phone: +1-408-263-0988  
 Fax: +1-408-217-1960  
 Email: sales@leopardimaging.com  
 Website: www.leopardimaging.com



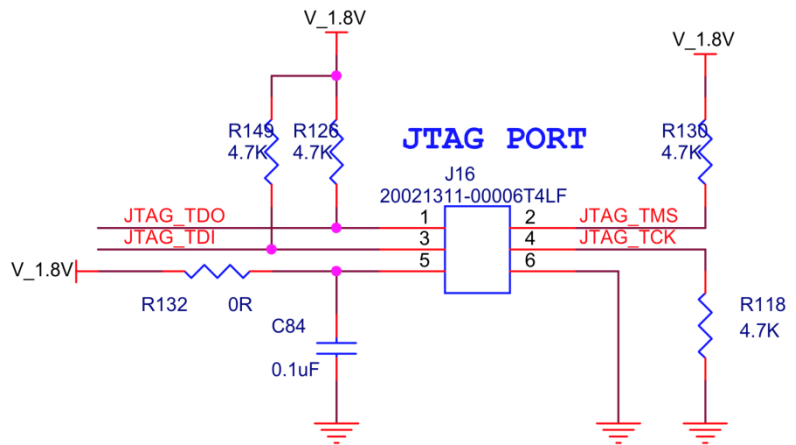
### Interface J6 (Camera Channel 6)

- Part#: 20525-030E-02C
- Number of Positions: 30
- Pitch: 0.4 mm
- Mating I-PEX cable:  
FAW-1233-xx



### Interface J16 (FPGA Programming Interface)

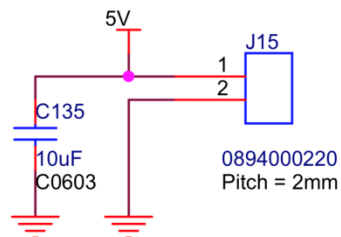
- Part#: 20021311-00006T4LF
- Number of Positions: 6
- Pitch: 0.050" (1.27 mm)
- Number of Rows: 2



### Interface J15 (External Power Input Interface)

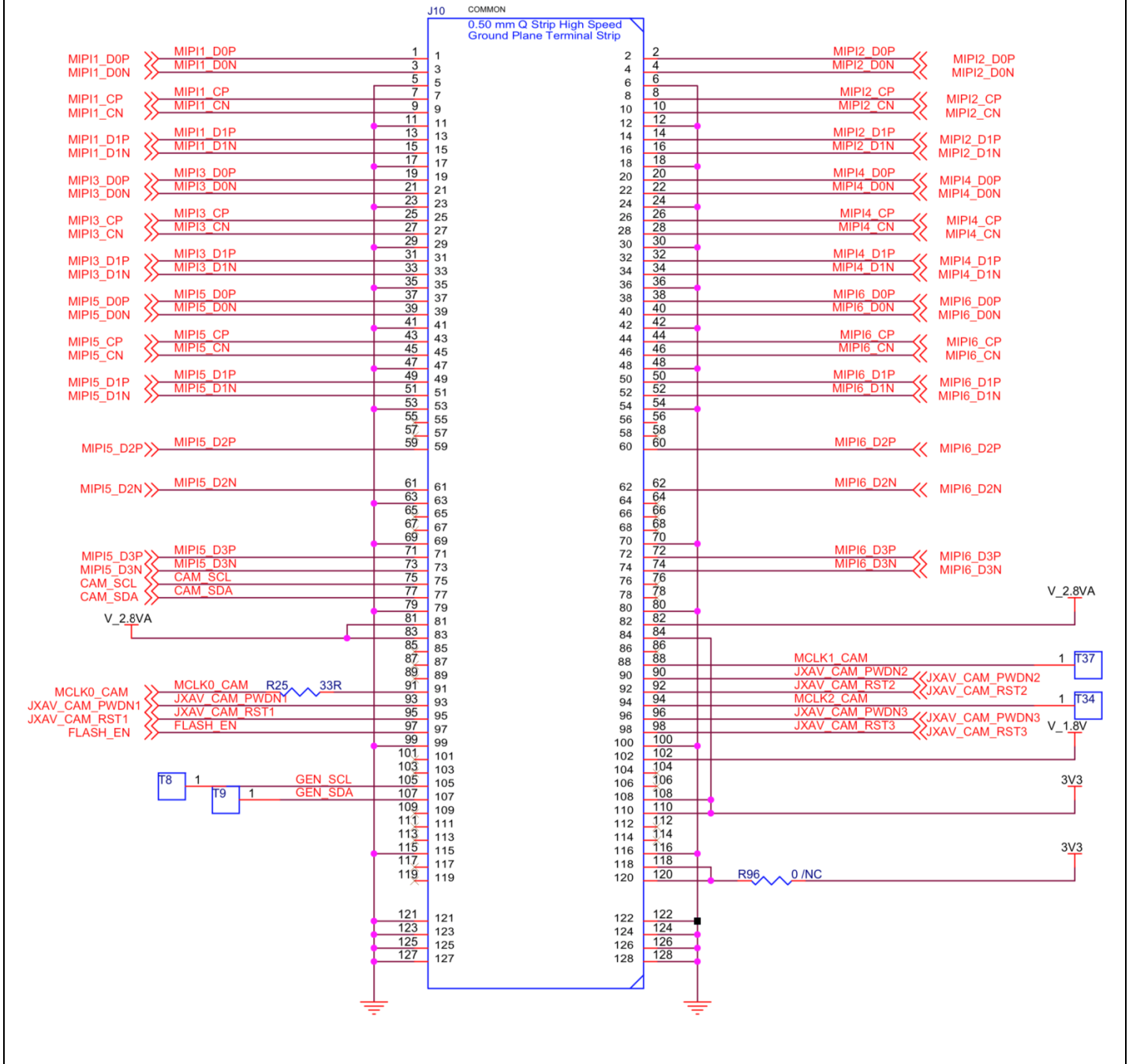
- Part#: 0894000220
- Number of Positions: 2
- Pitch: 2 mm

### External Input Power



# Interface J10 (To Xavier)

- Part#: QTH-060-01-L-D-A
- Number of Positions: 120
- Number of Rows: 2
- Pitch: 0.5 mm



Leopard Imaging Inc.

48820 Kato Rd, Suite 100B, Fremont, CA 94538, USA  
 Phone: +1-408-263-0988  
 Fax: +1-408-217-1960  
 Email: sales@leopardimaging.com  
 Website: www.leopardimaging.com

# LI-IMX415-MIPI-CS



Camera Spec	
Image sensor	Sony Diagonal 6.43 mm (Type 1/2.8) CMOS Image Sensor IMX415
Optical format	1/2.8"
Number of active pixels	3864 (H) x 2176 (V)
Pixel size	1.45 x 1.45 $\mu\text{m}$
Color or Mono	Color
Interface	MIPI interface
Lens mount	CS
Weight	~ 58 g
Interfaces	
<b>Interface J4:</b> <ul style="list-style-type: none"> <li>Part#: 20525-030E-02C</li> <li>Number of Positions: 30</li> <li>Pitch: 0.4 mm</li> <li>Mating I-PEX cable: FAW-1233-03 (300 mm)</li> </ul>	
<b>Interface J3:</b> <ul style="list-style-type: none"> <li>Part#: 1734829-2</li> <li>Number of Positions: 2</li> <li>Pitch: 1.25 mm</li> </ul>	
<b>Interface J6:</b> <ul style="list-style-type: none"> <li>Part#: 1734829-2</li> <li>Number of Positions: 2</li> <li>Pitch: 1.25 mm</li> </ul>	



Leopard Imaging Inc.

48820 Kato Rd, Suite 100B, Fremont, CA 94538, USA  
 Phone: +1-408-263-0988  
 Fax: +1-408-217-1960  
 Email: sales@leopardimaging.com  
 Website: www.leopardimaging.com