

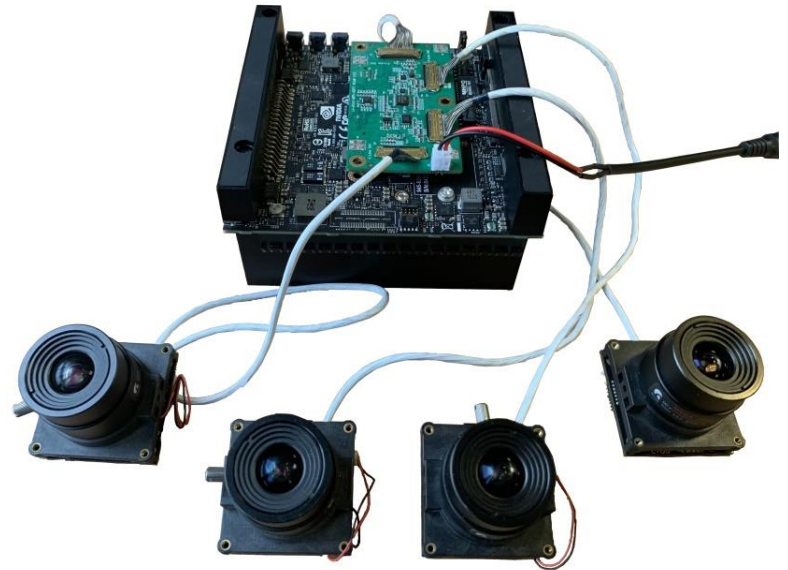


LEOPARD IMAGING INC

LI-XAVIER-KIT-IMX415CS-X Data Sheet

Key Features

- Compatible with Nvidia® Jetson AGX Xavier™ Developer Kit
- MIPI CSI-2 interface
- Supports up to six cameras
- Two adapter board options
 - LI-JXAV-MIPI-ADPT-4CAM
 - LI-JXAV-MIPI-ADPT-6CAM-FP
- Sony Diagonal 6.43 mm (Type 1/2.8) CMOS Image Sensor IMX415
- Active pixels: 3864 (H) x 2176 (V)
- Color camera
- Length of the I-PEX cable: 300 mm
- Supports multiple length cables
- Connector Part#: 20525-030E-02C
- Allows customization
- Part#:
 - (1 cam) [LI-XAVIER-KIT-IMX415CS](#)
 - (2 cam) [LI-XAVIER-KIT-IMX415CS-D](#)
 - (3 cam) [LI-XAVIER-KIT-IMX415CS-T](#)
 - (4 cam) [LI-XAVIER-KIT-IMX415CS-Q](#)
 - (6 cam) [LI-XAVIER-KIT-IMX415CS-H](#)



Lens Spec

- Model: ES0522F.IR
- Focal Length: 5.0 mm
- Aperture, F/#: 2.2
- Built in 650 nm IR cut filter
- FOV (D/ H / V): 80.6° / 70.6° / 40.6°
- TV Distortion: < -8%

BOM

Nvidia AGX Xavier Developer Kit not included

| # | Items | QTY |
|---|--|-----------------|
| 1 | LI-JXAV-MIPI-ADPT-4CAM or LI-JXAV-MIPI-ADPT-6CAM-FP | 1 |
| 2 | LI-IMX415-MIPI-CS | 1, 2, 3, 4 or 6 |
| 3 | FAW-1233-03 cable | 1, 2, 3, 4 or 6 |

Applications

- Industrial Applications
- Surveillance cameras



Leopard Imaging Inc.

48820 Kato Rd, Suite 100B, Fremont, CA 94538, USA
 Phone: +1-408-263-0988
 Fax: +1-408-217-1960
 Email: sales@leopardimaging.com
 Website: www.leopardimaging.com

LI-XAVIER-KIT-IMX415CS

BOM

| # | Items | QTY |
|---|------------------------|-----|
| 1 | LI-JXAV-MIPI-ADPT-4CAM | 1 |
| 2 | LI-IMX415-MIPI-CS | 1 |
| 3 | FAW-1233-03 cable | 1 |



LI-XAVIER-KIT-IMX415CS-D

BOM

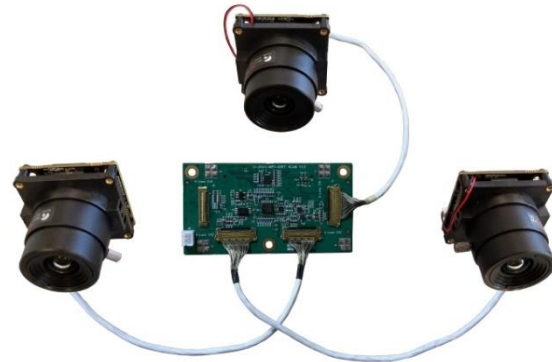
| # | Items | QTY |
|---|------------------------|-----|
| 1 | LI-JXAV-MIPI-ADPT-4CAM | 1 |
| 2 | LI-IMX415-MIPI-CS | 2 |
| 3 | FAW-1233-03 cable | 2 |



LI-XAVIER-KIT-IMX415CS-T

BOM

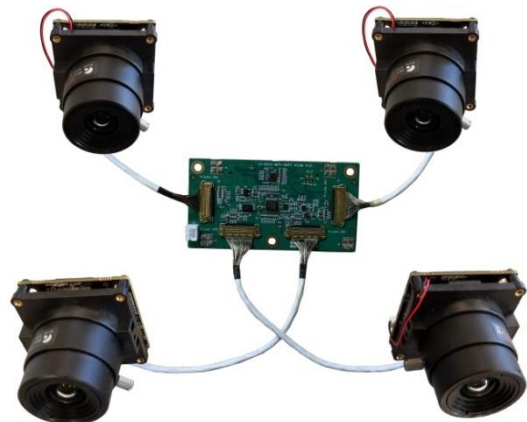
| # | Items | QTY |
|---|------------------------|-----|
| 1 | LI-JXAV-MIPI-ADPT-4CAM | 1 |
| 2 | LI-IMX415-MIPI-CS | 3 |
| 3 | FAW-1233-03 cable | 3 |



LI-XAVIER-KIT-IMX415CS-Q

BOM

| # | Items | QTY |
|---|------------------------|-----|
| 1 | LI-JXAV-MIPI-ADPT-4CAM | 1 |
| 2 | LI-IMX415-MIPI-CS | 4 |
| 3 | FAW-1233-03 cable | 4 |



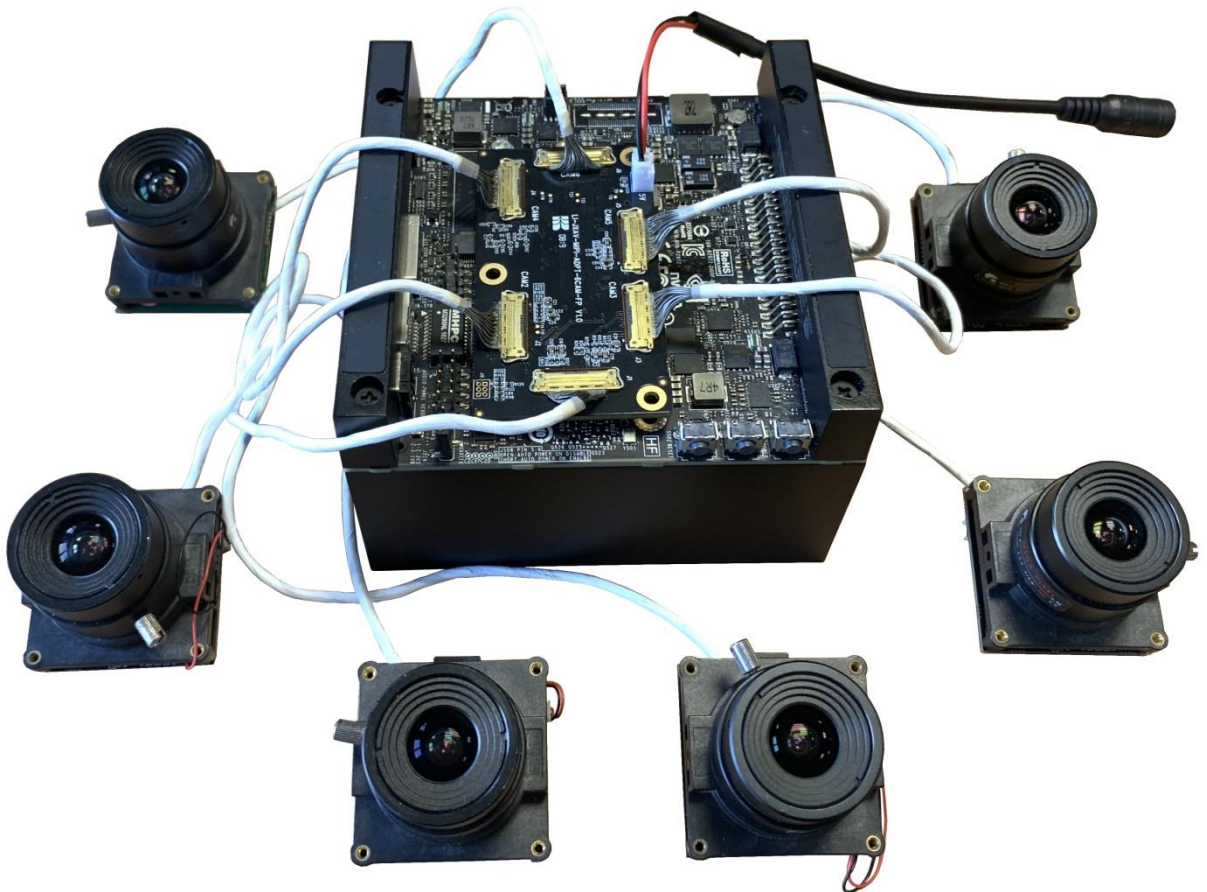
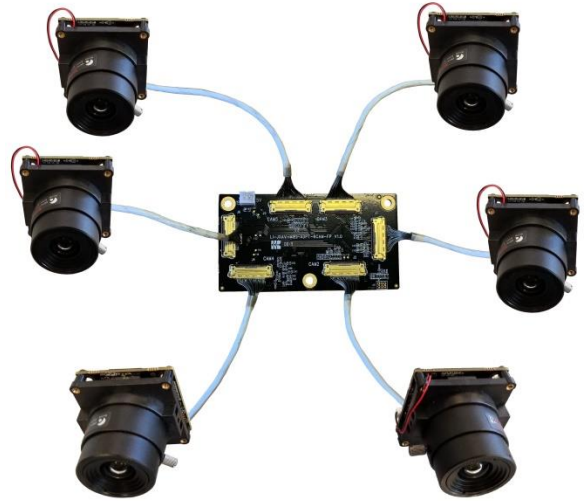
Leopard Imaging Inc.

48820 Kato Rd, Suite 100B, Fremont, CA 94538, USA
Phone: +1-408-263-0988
Fax: +1-408-217-1960
Email: sales@leopardimaging.com
Website: www.leopardimaging.com

LI-XAVIER-KIT-IMX415CS-H

BOM

| # | Items | QTY |
|---|---------------------------|-----|
| 1 | LI-JXAV-MIPI-ADPT-6CAM-FP | 1 |
| 2 | LI-IMX415-MIPI-CS | 6 |
| 3 | FAW-1233-03 cable | 6 |



Leopard Imaging Inc.

48820 Kato Rd, Suite 100B, Fremont, CA 94538, USA

Phone: +1-408-263-0988

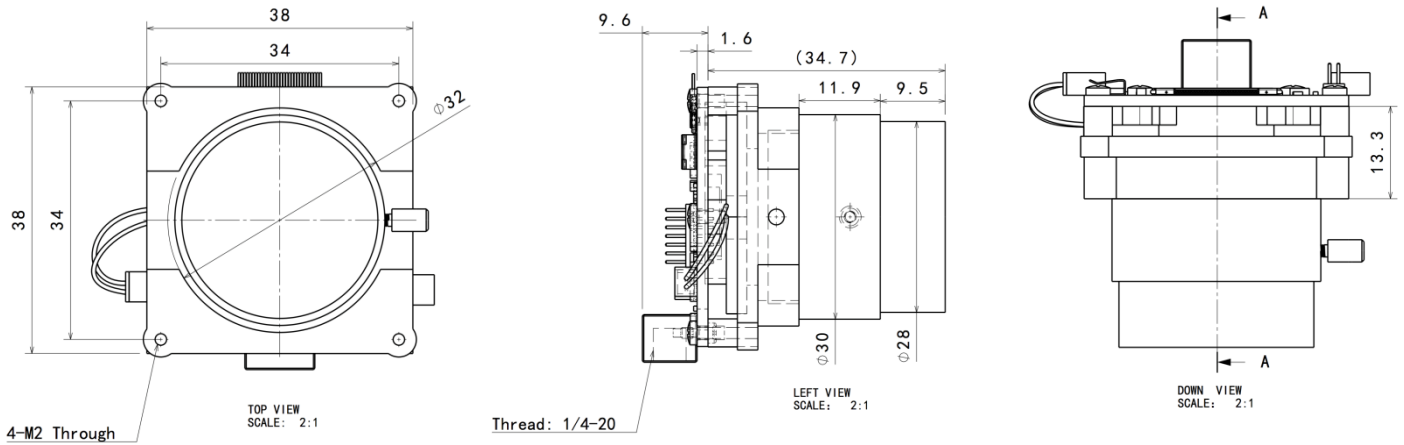
Fax: +1-408-217-1960

Email: sales@leopardimaging.com

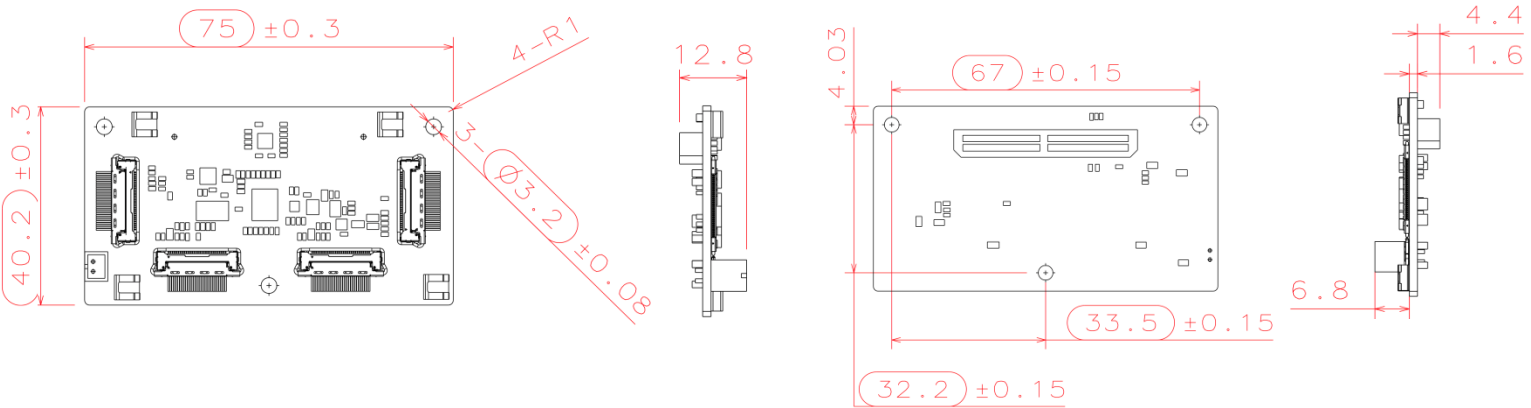
Website: www.leopardimaging.com

Dimensions

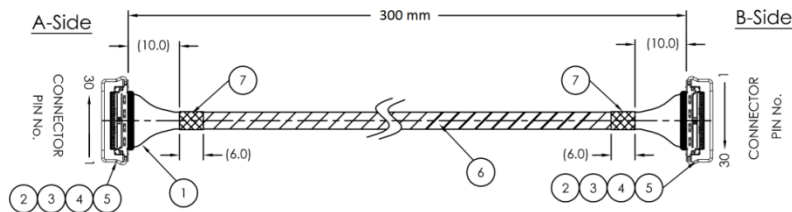
LI-IMX415-MIPI-CS



LI-JXAV-MIPI-ADPT-4CAM



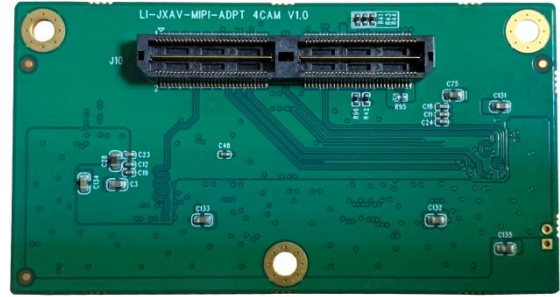
FAW-1233-03



Leopard Imaging Inc.

48820 Kato Rd, Suite 100B, Fremont, CA 94538, USA
 Phone: +1-408-263-0988
 Fax: +1-408-217-1960
 Email: sales@leopardimaging.com
 Website: www.leopardimaging.com

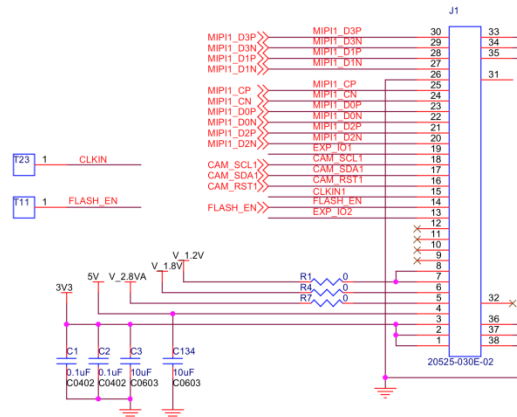
LI-JXAV-MIPI-ADPT-4CAM



Interfaces

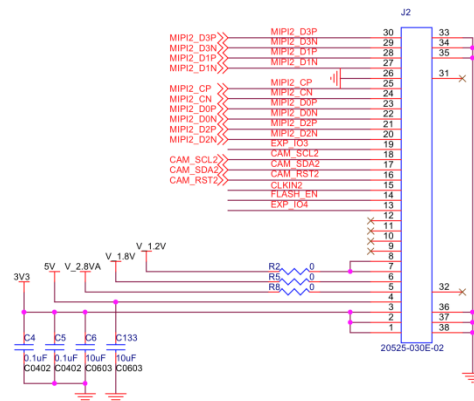
Interface J1

- Part#: 20525-030E-02C
- Number of Positions: 30
- Pitch: 0.4 mm
- Mating I-PEX cable: FAW-1233-03 (300 mm)



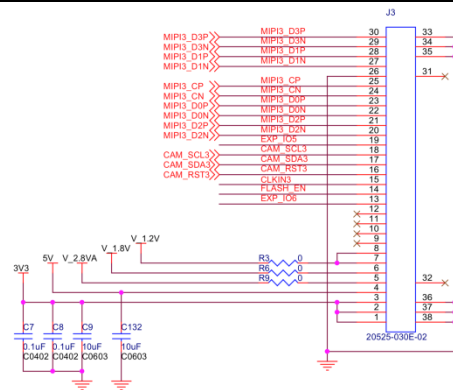
Interface J2

- Part#: 20525-030E-02C
- Number of Positions: 30
- Pitch: 0.4 mm
- Mating I-PEX cable: FAW-1233-03 (300 mm)



Interface J3

- Part#: 20525-030E-02C
- Number of Positions: 30
- Pitch: 0.4 mm
- Mating I-PEX cable: FAW-1233-03 (300 mm)

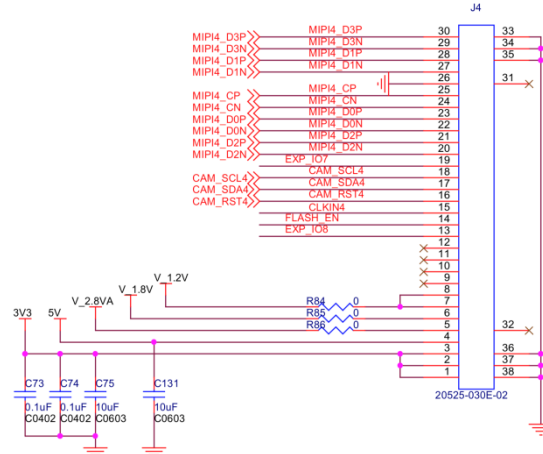


Leopard Imaging Inc.

48820 Kato Rd, Suite 100B, Fremont, CA 94538, USA
 Phone: +1-408-263-0988
 Fax: +1-408-217-1960
 Email: sales@leopardimaging.com
 Website: www.leopardimaging.com

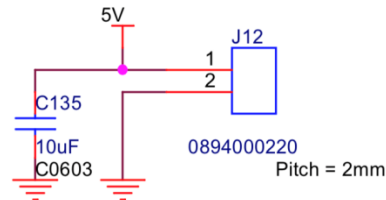
Interface J4

- Part#: 20525-030E-02C
- Number of Positions: 30
- Pitch: 0.4 mm
- Mating I-PEX cable: FAW-1233-03 (300 mm)



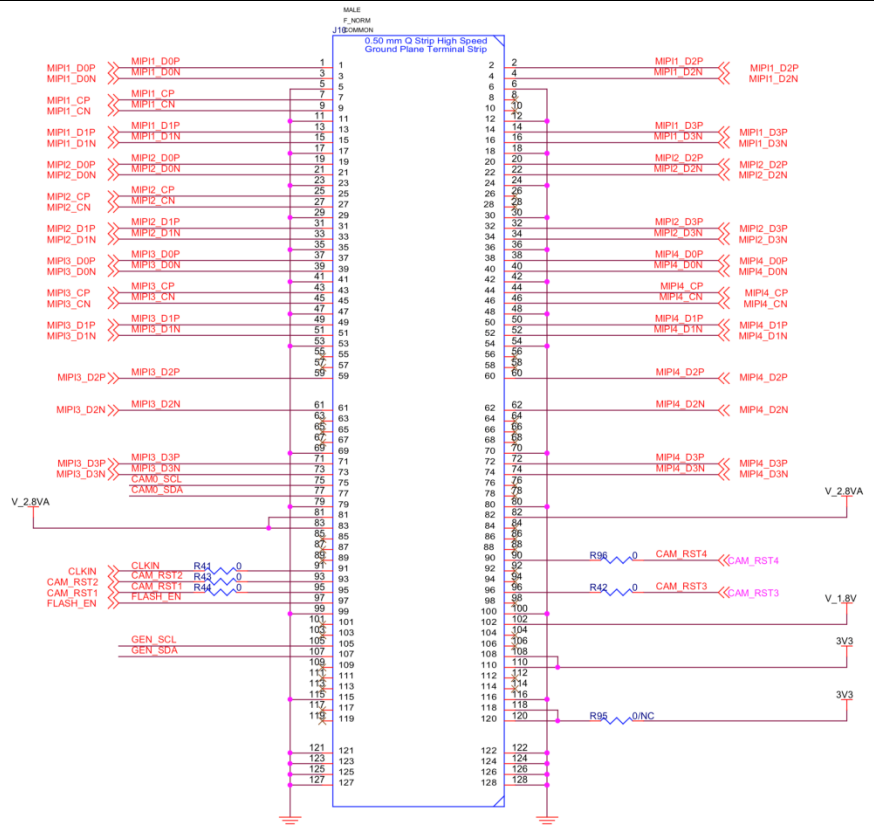
Interface J5

- Part#: 0894000220
- Number of Positions: 2
- Pitch: 2 mm



Interface J10

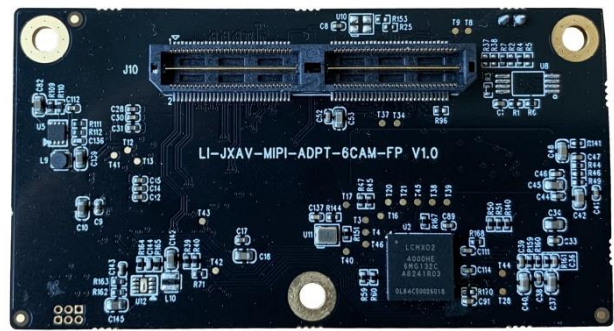
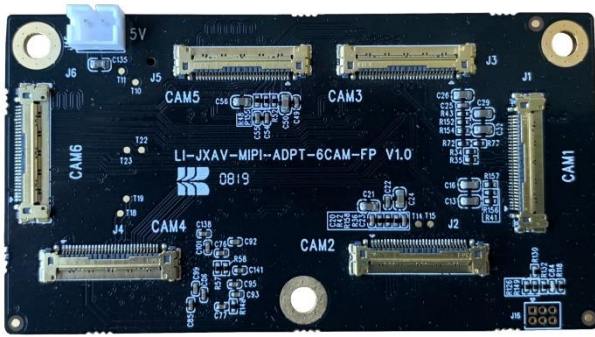
- Part#: QTH-060-01-L-D-A
- Number of Positions: 120
- Number of Rows: 2
- Pitch: 0.5 mm



Leopard Imaging Inc.

48820 Kato Rd, Suite 100B, Fremont, CA 94538, USA
 Phone: +1-408-263-0988
 Fax: +1-408-217-1960
 Email: sales@leopardimaging.com
 Website: www.leopardimaging.com

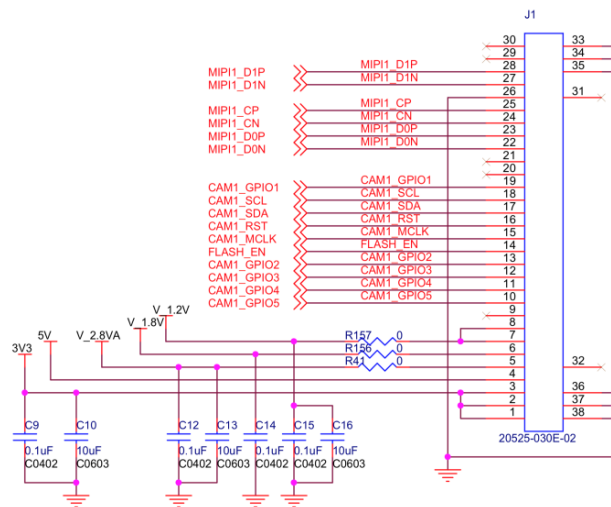
LI-JXAV-MIPI-ADPT-6CAM-FP



Interfaces

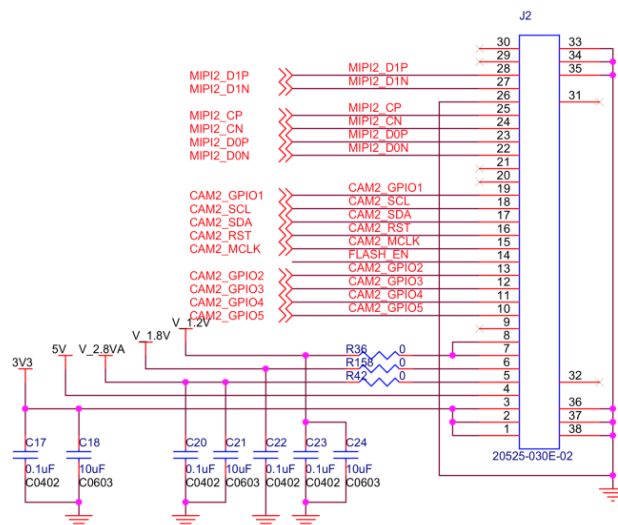
Interface J1 (Camera Channel 1)

- Part#: 20525-030E-02C
- Number of Positions: 30
- Pitch: 0.4 mm
- Mating I-PEX cable: FAW-1233-xx



Interface J2 (Camera Channel 2)

- Part#: 20525-030E-02C
- Number of Positions: 30
- Pitch: 0.4 mm
- Mating I-PEX cable: FAW-1233-xx

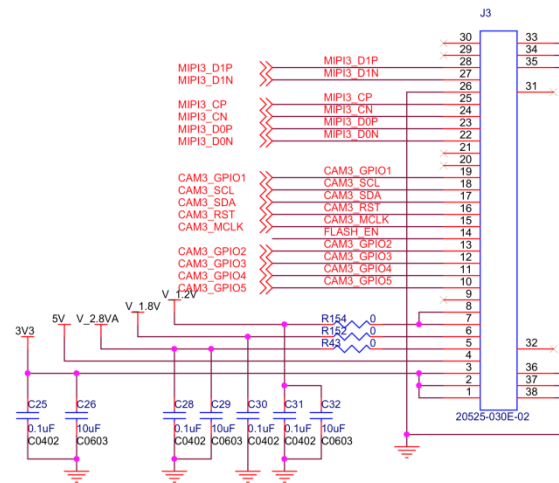


Leopard Imaging Inc.

48820 Kato Rd, Suite 100B, Fremont, CA 94538, USA
 Phone: +1-408-263-0988
 Fax: +1-408-217-1960
 Email: sales@leopardimaging.com
 Website: www.leopardimaging.com

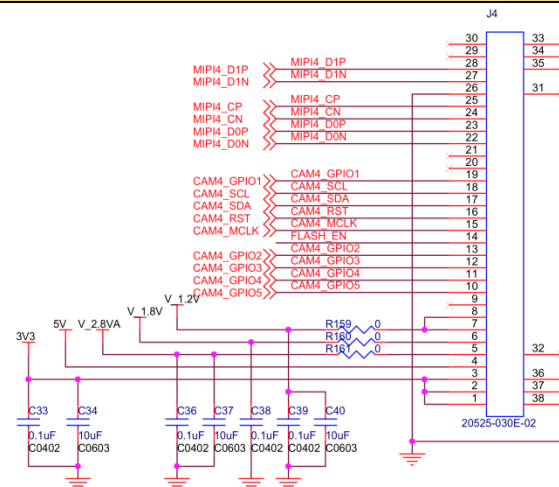
Interface J3 (Camera Channel 3)

- Part#: 20525-030E-02C
- Number of Positions: 30
- Pitch: 0.4 mm
- Mating I-PEX cable: FAW-1233-xx



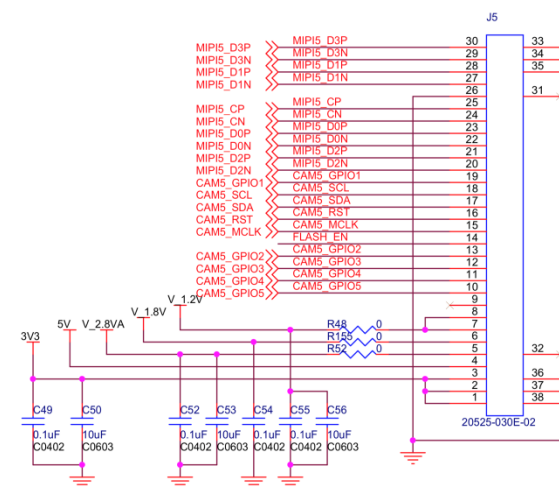
Interface J4 (Camera Channel 4)

- Part#: 20525-030E-02C
- Number of Positions: 30
- Pitch: 0.4 mm
- Mating I-PEX cable: FAW-1233-xx



Interface J5 (Camera Channel 5)

- Part#: 20525-030E-02C
- Number of Positions: 30
- Pitch: 0.4 mm
- Mating I-PEX cable: FAW-1233-xx

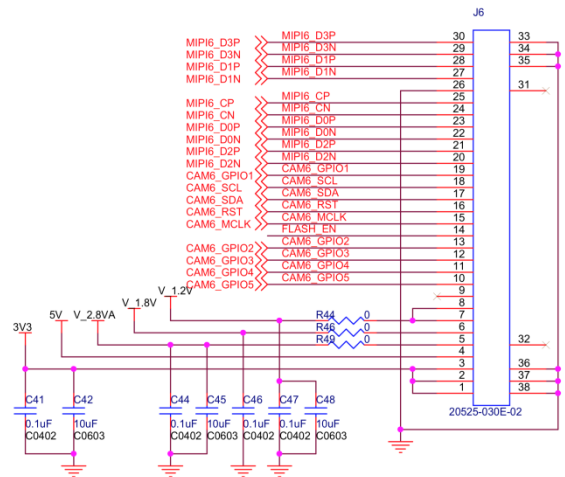


Leopard Imaging Inc.

48820 Kato Rd, Suite 100B, Fremont, CA 94538, USA
 Phone: +1-408-263-0988
 Fax: +1-408-217-1960
 Email: sales@leopardimaging.com
 Website: www.leopardimaging.com

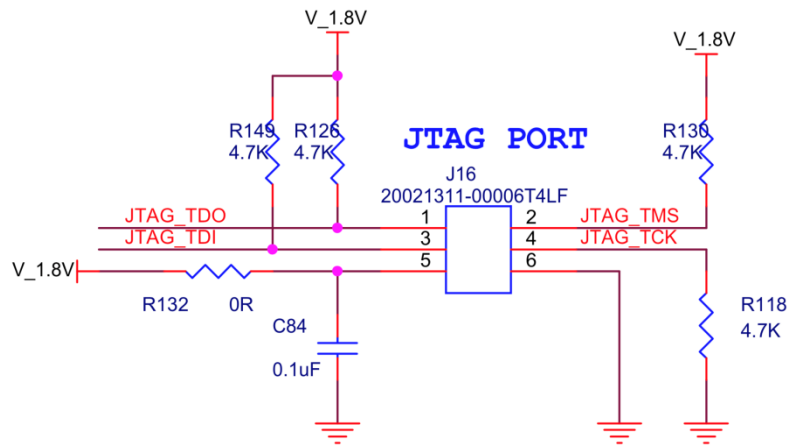
Interface J6 (Camera Channel 6)

- Part#: 20525-030E-02C
- Number of Positions: 30
- Pitch: 0.4 mm
- Mating I-PEX cable:
FAW-1233-xx



Interface J16 (FPGA Programming Interface)

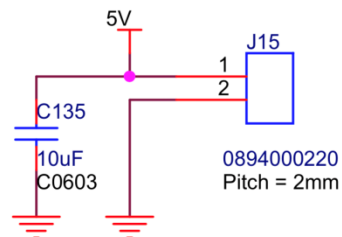
- Part#: 20021311-00006T4LF
- Number of Positions: 6
- Pitch: 0.050" (1.27 mm)
- Number of Rows: 2



Interface J15 (External Power Input Interface)

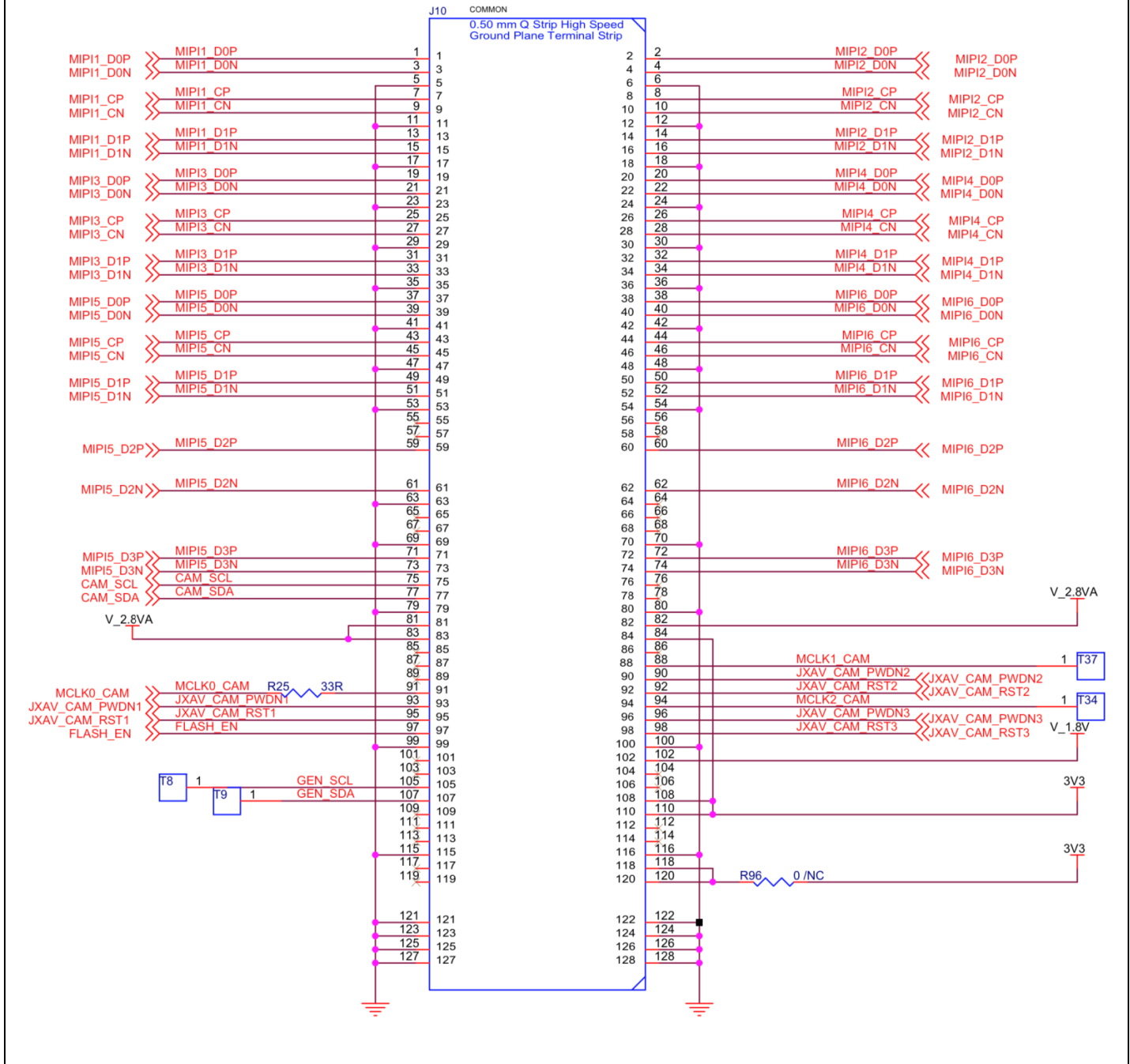
- Part#: 0894000220
- Number of Positions: 2
- Pitch: 2 mm

External Input Power



Interface J10 (To Xavier)

- Part#: QTH-060-01-L-D-A
- Number of Positions: 120
- Number of Rows: 2
- Pitch: 0.5 mm



Leopard Imaging Inc.

48820 Kato Rd, Suite 100B, Fremont, CA 94538, USA
 Phone: +1-408-263-0988
 Fax: +1-408-217-1960
 Email: sales@leopardimaging.com
 Website: www.leopardimaging.com

LI-IMX415-MIPI-CS



| Camera Spec | |
|--|---|
| Image sensor | Sony Diagonal 6.43 mm (Type 1/2.8) CMOS Image Sensor IMX415 |
| Optical format | 1/2.8" |
| Number of active pixels | 3864 (H) x 2176 (V) |
| Pixel size | 1.45 x 1.45 μm |
| Color or Mono | Color |
| Interface | MIPI interface |
| Lens mount | CS |
| Weight | ~ 58 g |
| Interfaces | |
| Interface J4: <ul style="list-style-type: none"> Part#: 20525-030E-02C Number of Positions: 30 Pitch: 0.4 mm Mating I-PEX cable: FAW-1233-03 (300 mm) | |
| Interface J3: <ul style="list-style-type: none"> Part#: 1734829-2 Number of Positions: 2 Pitch: 1.25 mm | |
| Interface J6: <ul style="list-style-type: none"> Part#: 1734829-2 Number of Positions: 2 Pitch: 1.25 mm | |



Leopard Imaging Inc.

48820 Kato Rd, Suite 100B, Fremont, CA 94538, USA
 Phone: +1-408-263-0988
 Fax: +1-408-217-1960
 Email: sales@leopardimaging.com
 Website: www.leopardimaging.com