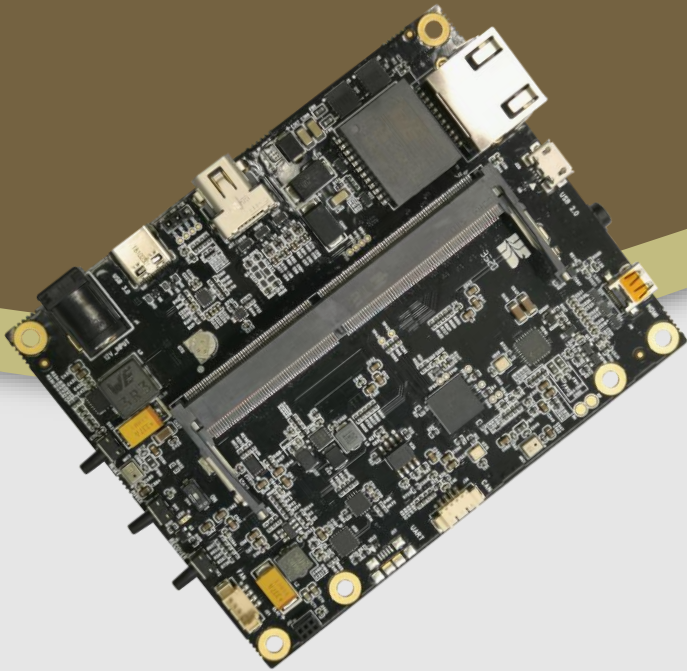




LI-XNX-CB-6CAM-FP



Address:

48820 Kato Road
Suite 100B
Fremont, CA 94538
USA



Phone:

+1 (408)263-0988

Fax:

+1 (408)217-1960



Sales:

sales@leopardimaging.com

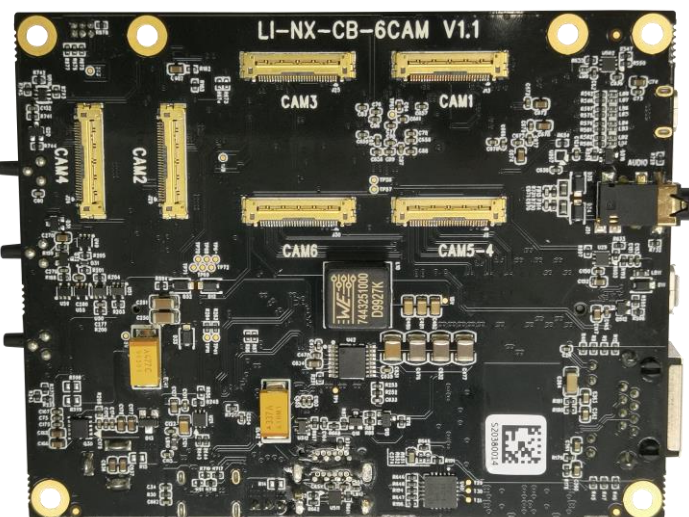
Support:

support@leopardimaging.com

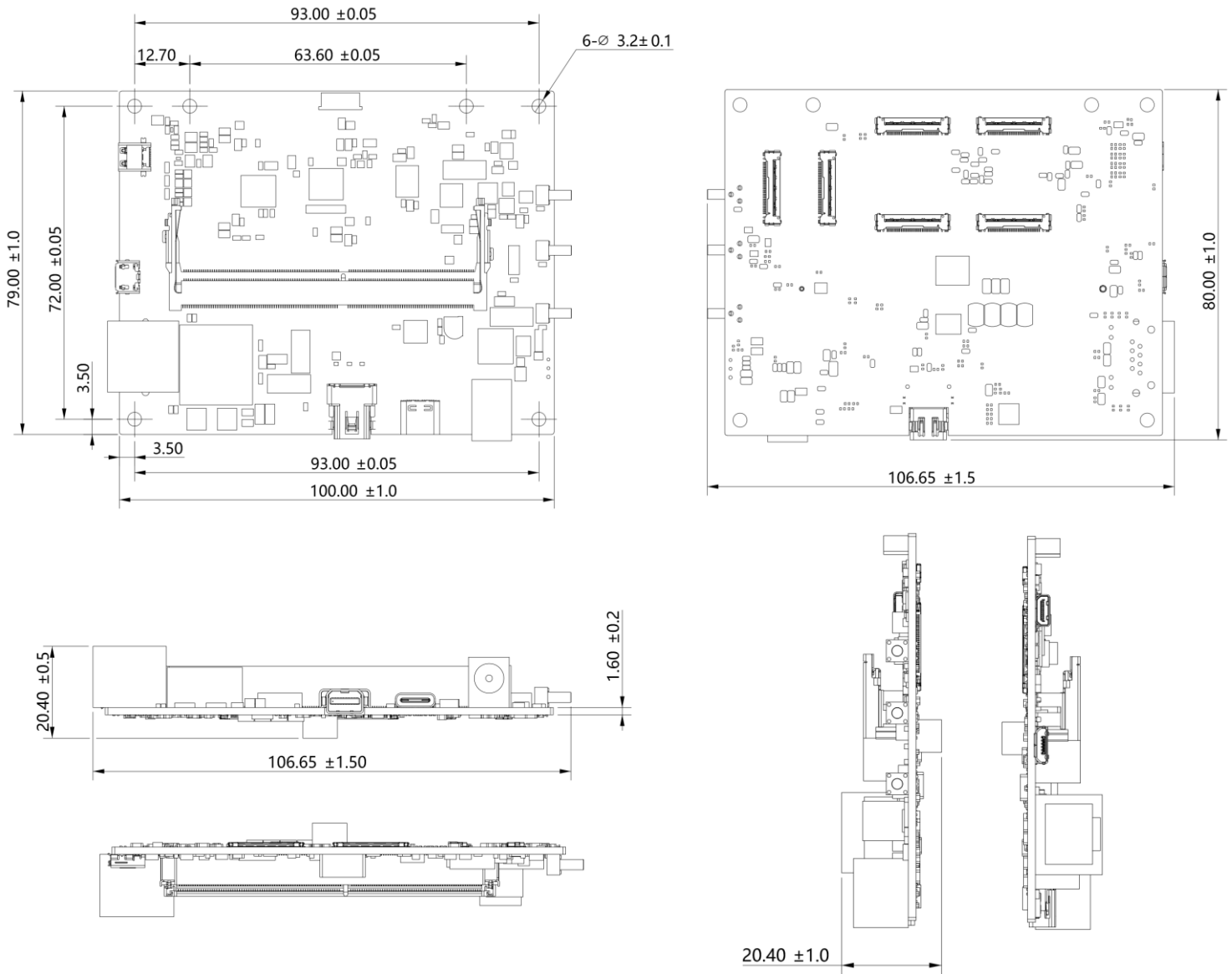
TECHNICAL FEATURES

- Carrier board for NVIDIA® Jetson Xavier NX™ SOM
- 6 x MIPI CSI-2 camera interfaces (5 x 2-lane and 1 x 4-lane)
- 1 x Power interface (DC 12V)
- 1 x Micro-HDMI interface
- 1 x USB3.0 Type-C interface
- 1 x RJ45 Ethernet interface
- 1 x USB 2.0 Micro-B interface
- 1 x UART interface (not populated)
- 1 x CAN connector
- 1 x Fan connector
- DP supported (options)
- PoE supported (options)
- Auto-Boot switcher
- Weight: ~ 68 g (Without NX SOM)
- Operating temperature: -20°C ~ +60°C
- Part#:

Without PoE	LI-XNX-CB-6CAM-FP
PoE Version	LI-XNX-CB-6CAM-FP-POE



DIMENSIONS



Unit: mm

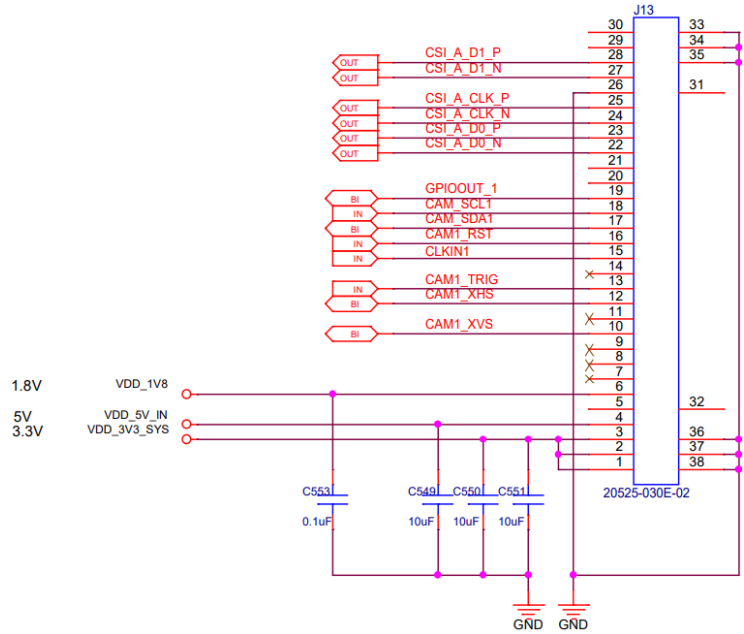
BOM

#	Items	QTY
1	LI-NX-CB-6CAM V1.1 board	1
2	DC 12V power supply	1
3	USB 2.0 Type A - Micro B cable	1

Note: NVIDIA® Jetson Xavier NX™ SOM is not included

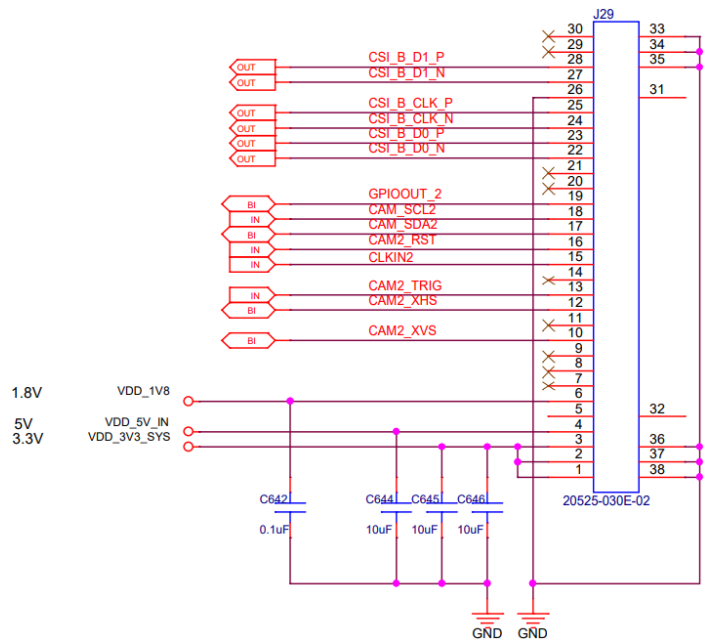
INTERFACE J13 (CAM1)

- Part#: 20525-030E-02
- Number of Positions: 30
- Pitch: 0.4 mm
- Mating I-PEX Cable: FAW-1233-xx



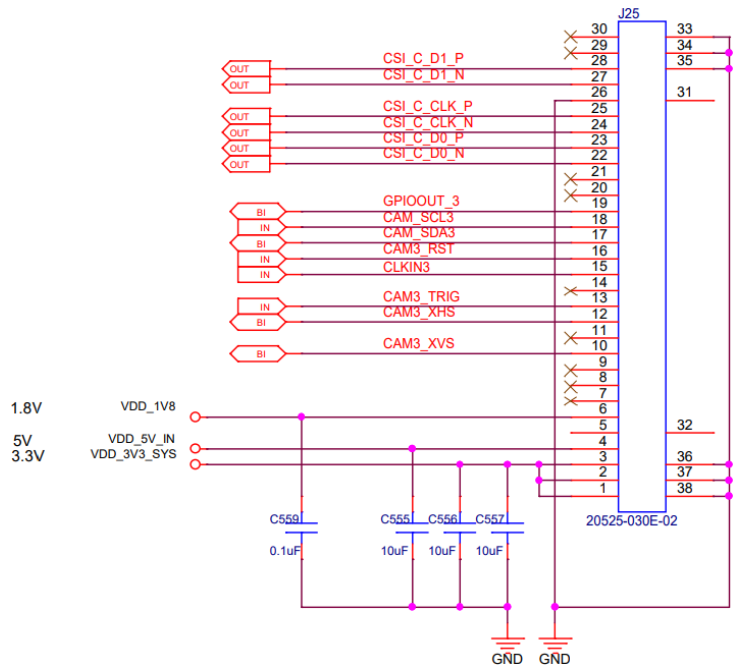
INTERFACE J29 (CAM2)

- Part#: 20525-030E-02
- Number of Positions: 30
- Pitch: 0.4 mm
- Mating I-PEX Cable: FAW-1233-xx



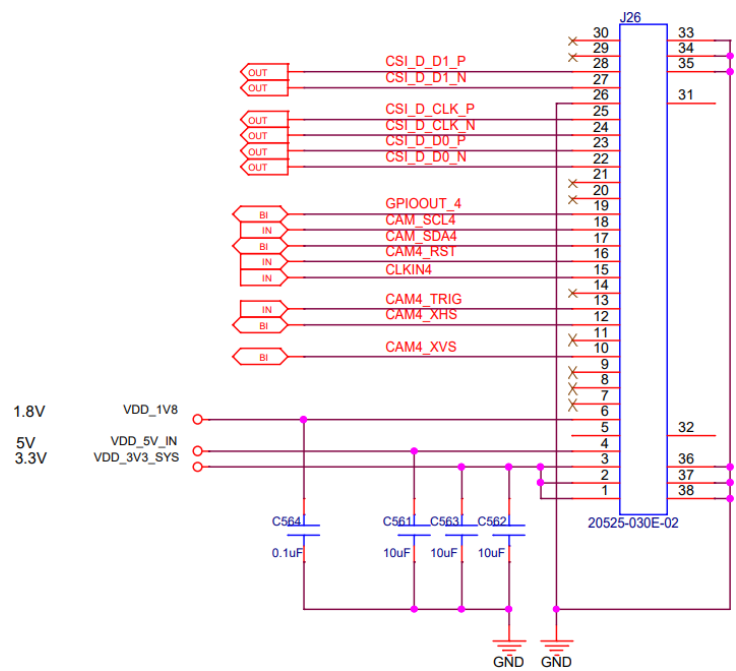
INTERFACE J25 (CAM3)

- Part#: 20525-030E-02
- Number of Positions: 30
- Pitch: 0.4 mm
- Mating I-PEX Cable: FAW-1233-xx



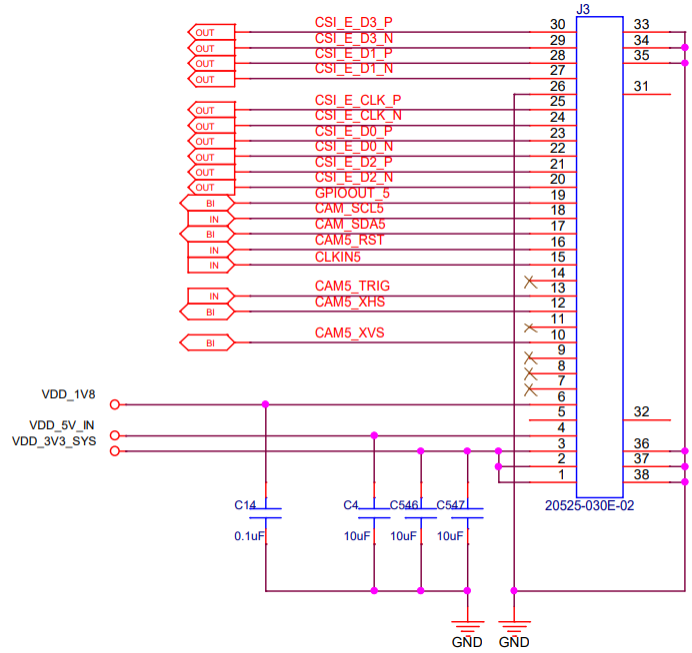
INTERFACE J26 (CAM4)

- Part#: 20525-030E-02
- Number of Positions: 30
- Pitch: 0.4 mm
- Mating I-PEX Cable: FAW-1233-xx



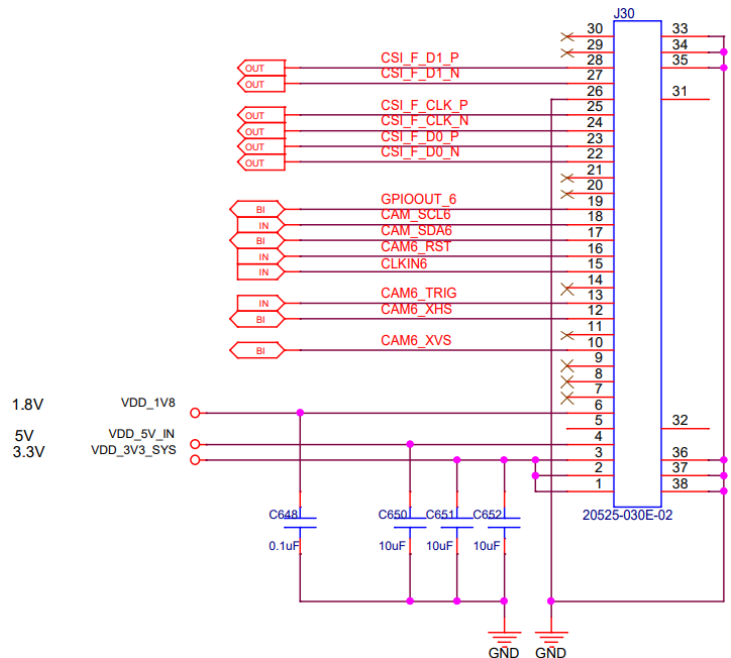
INTERFACE J3 (CAM5)

- Part#: 20525-030E-02
- Number of Positions: 30
- Pitch: 0.4 mm
- Mating I-PEX Cable: FAW-1233-xx



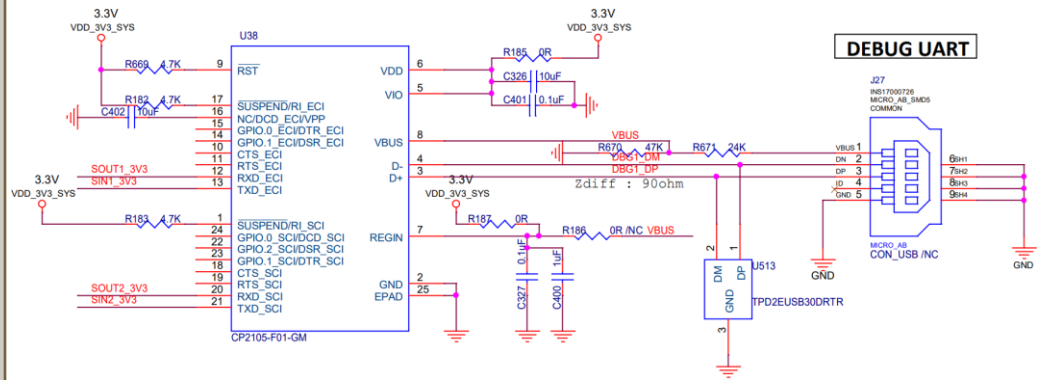
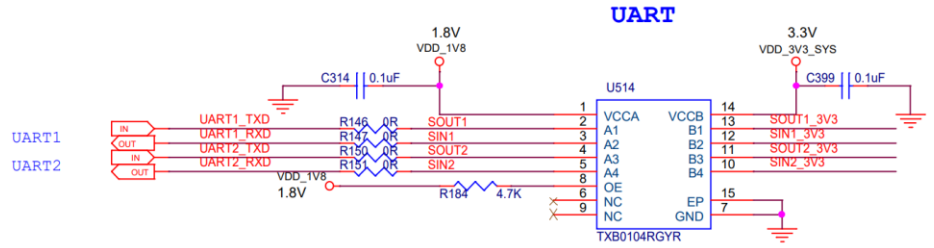
INTERFACE J30 (CAM6)

- Part#: 20525-030E-02
- Number of Positions: 30
- Pitch: 0.4 mm
- Mating I-PEX Cable: FAW-1233-xx



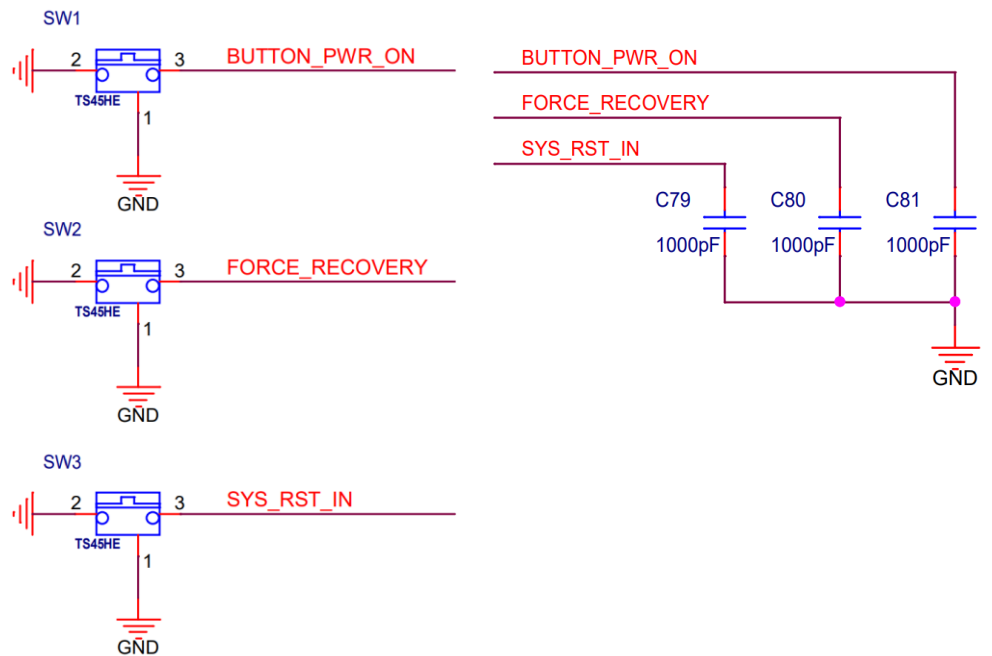
UART

■ Not populated

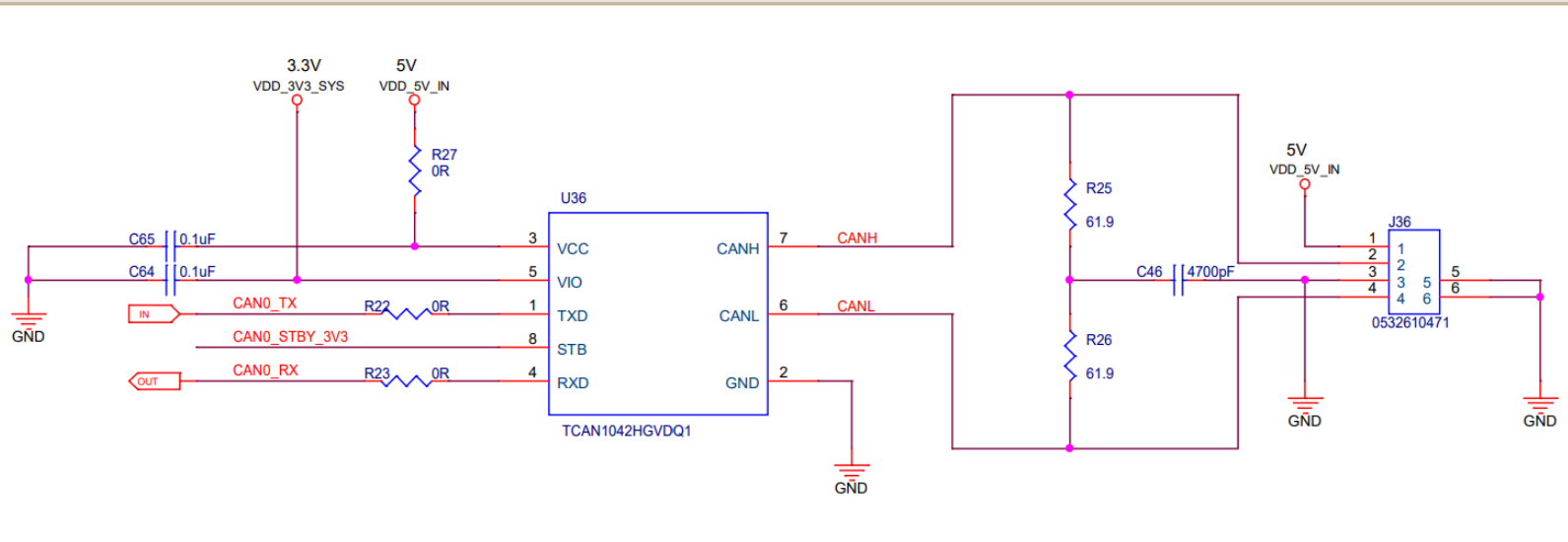


Buttons (Power, Force_Recovery, Reset)

■ Part#: TS45HE



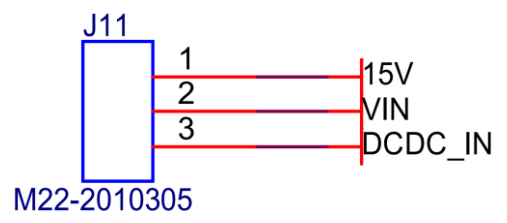
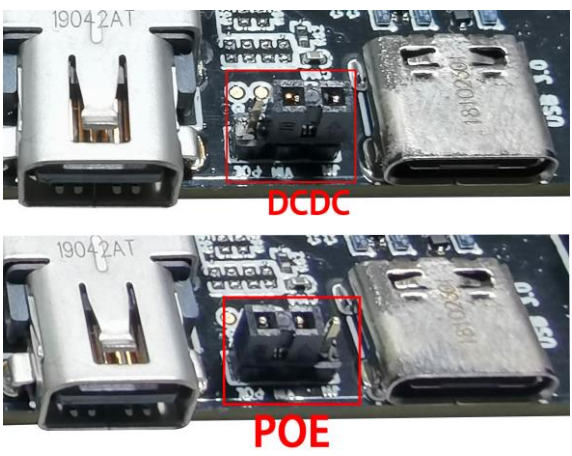
INTERFACE J36 (CAN Connector)



- Part#: 0532610471
- Number of Positions: 4
- Pitch: 1.25 mm

INTERFACE J11 (Jumper for Main Power)

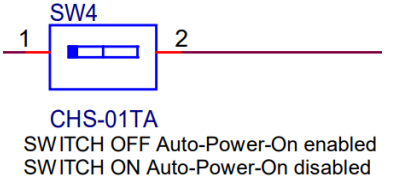
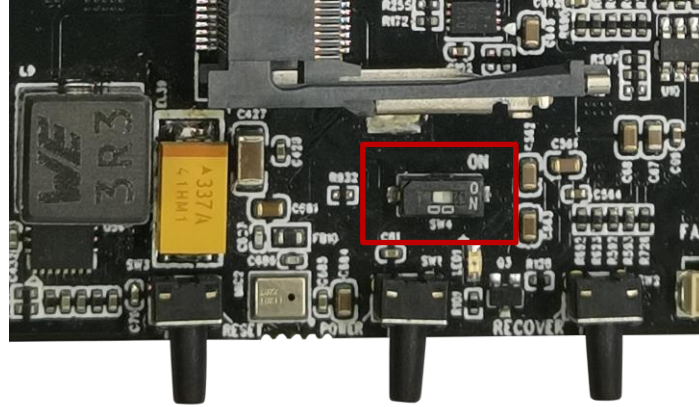
- Part#: M22-2010305
- Number of Positions: 3
- Pitch: 2 mm



● Boot Mode (SW4)

■ Part#: CHS-01TA

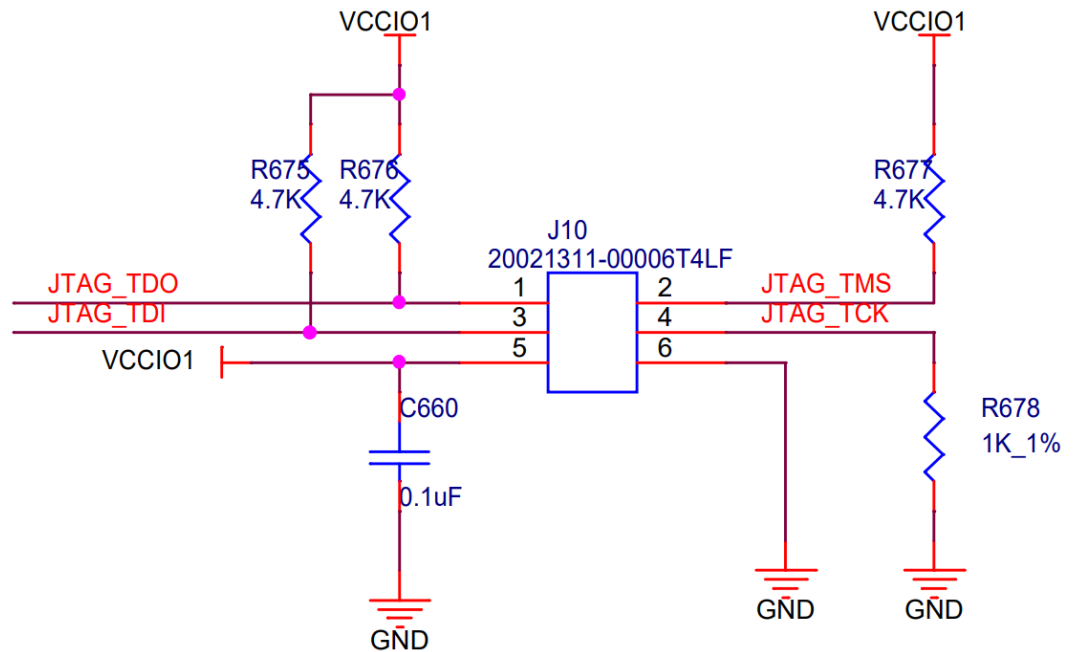
Status	Boot Mode
On	Manual Mode
Off	Auto Mode



● INTERFACE J10 (JTAG Header)

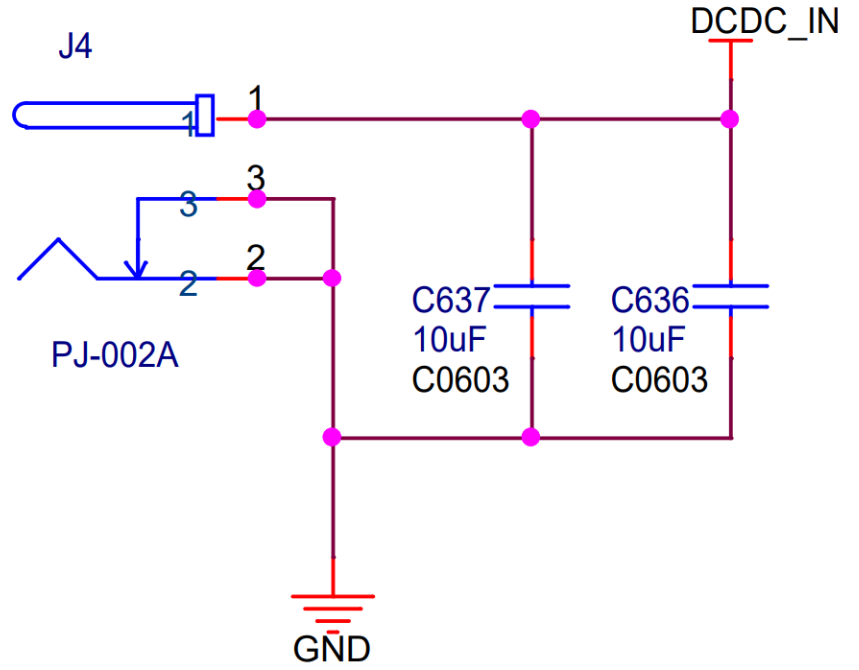
■ Number of Positions: 6

Pin Assignment	
JTAG_TDO	Pin 1
JTAG_TMS	Pin 2
JTAG_TDI	Pin 3
JTAG_TCK	Pin 4
VCCIO1	Pin 5
GND	Pin 6



INTERFACE J4 (DCDC Jack)

- Part#: PJ-002A
- Number of Positions / Contacts: 2 conductors, 3 contacts



Interface J21 (SoC Fan Header)

- Part#: 0533980471
- Number of Positions: 4

