

Data Sheet

LL01CR-CENxxL02



■ Features & Typical Applications

- High efficiency
- Available with 3 beam angles
- Optimized Uniformity
- Lens with Connector
- Architectural Lighting
- Commercial Lighting
- Spotlight

■ Table of Contents

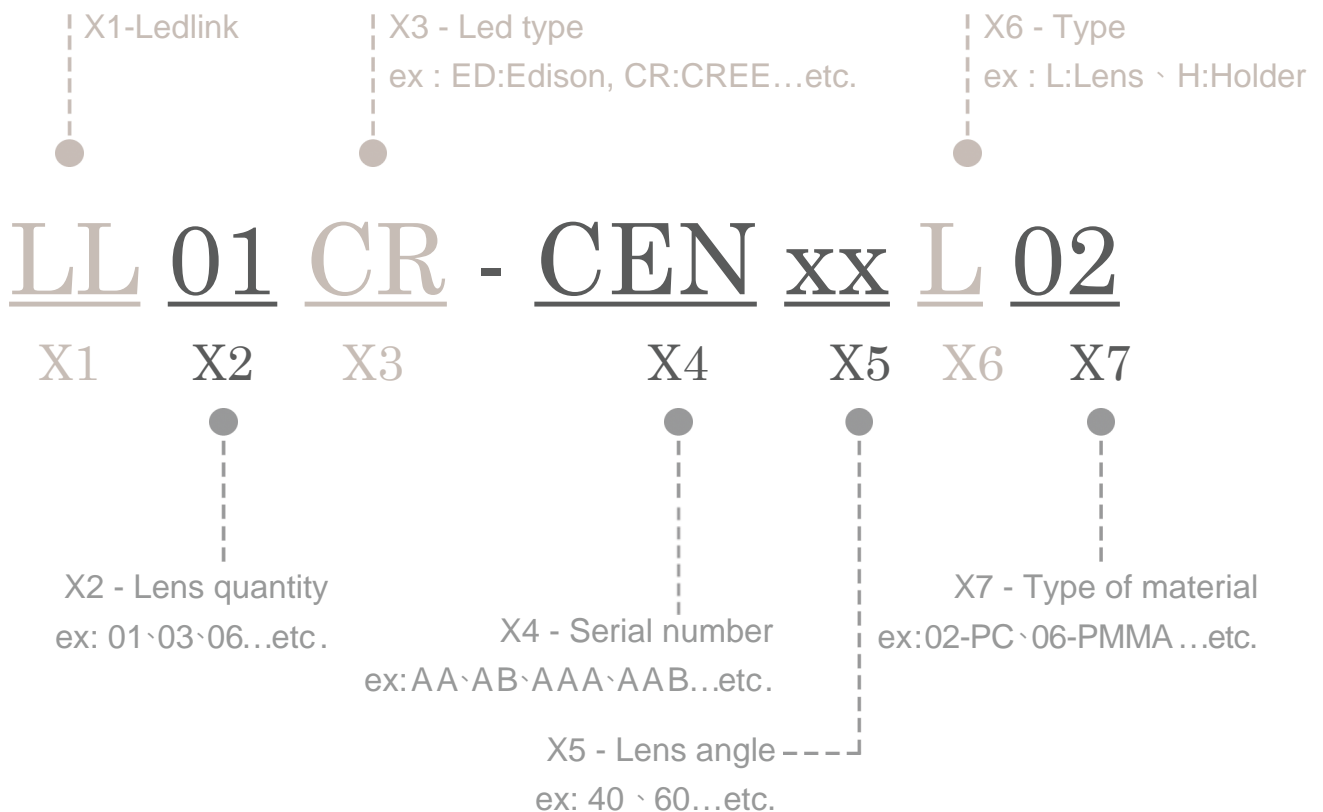
General Information & Product Nomenclature.....	P.2
Optical Specifications	P.3
Mechanical Specifications.....	P.4
Package Specifications	P.5

LL01CR-CENxxL02

General Information

- Lens Material : PC LEV1700
- Connector Material : PBT4815
- Operating Temperature range -40°C~+110°C(upper limit +120°C).
- Storage Temperature range -40°C~+110°C(upper limit +120°C).
 - * Average transmittance in visible spectrum 400nm~700nm>90%.
- Usage and Maintenance:
 1. If necessary, clean lenses with mild soap, water and soft cloth.
 2. Never use any commercial cleaning solvents on lenses, like alcohol.
 3. Please handle or install lenses with wearing gloves, skin oils may damage lens or its optical characteristic.

Product Nomenclature

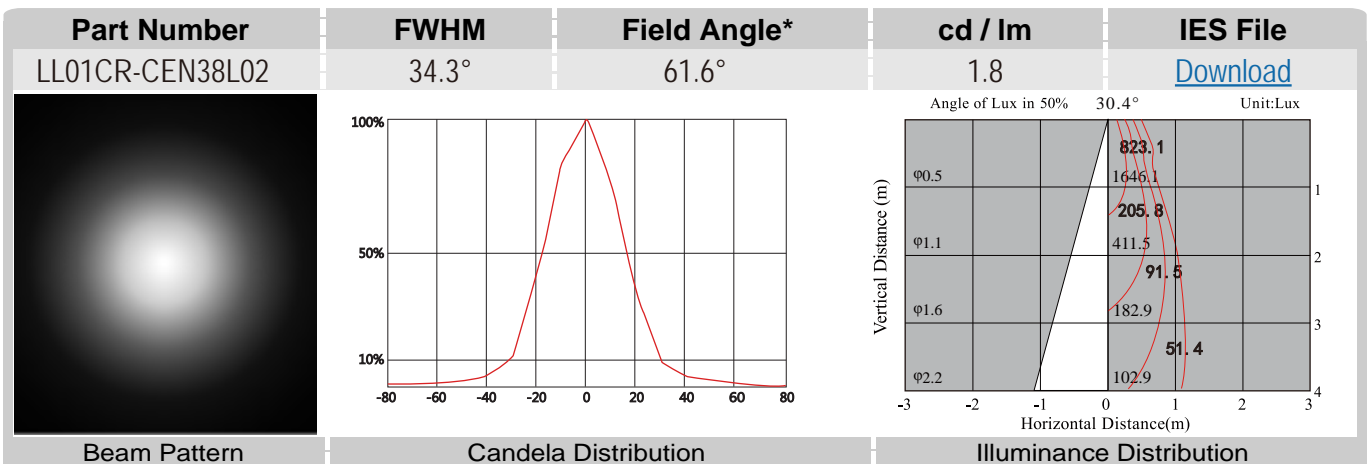
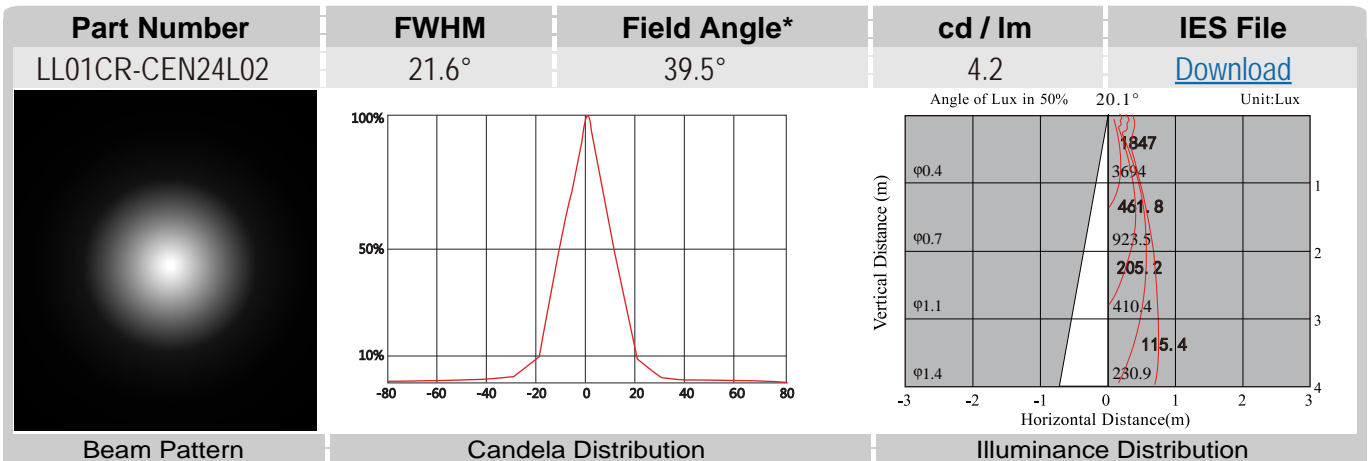
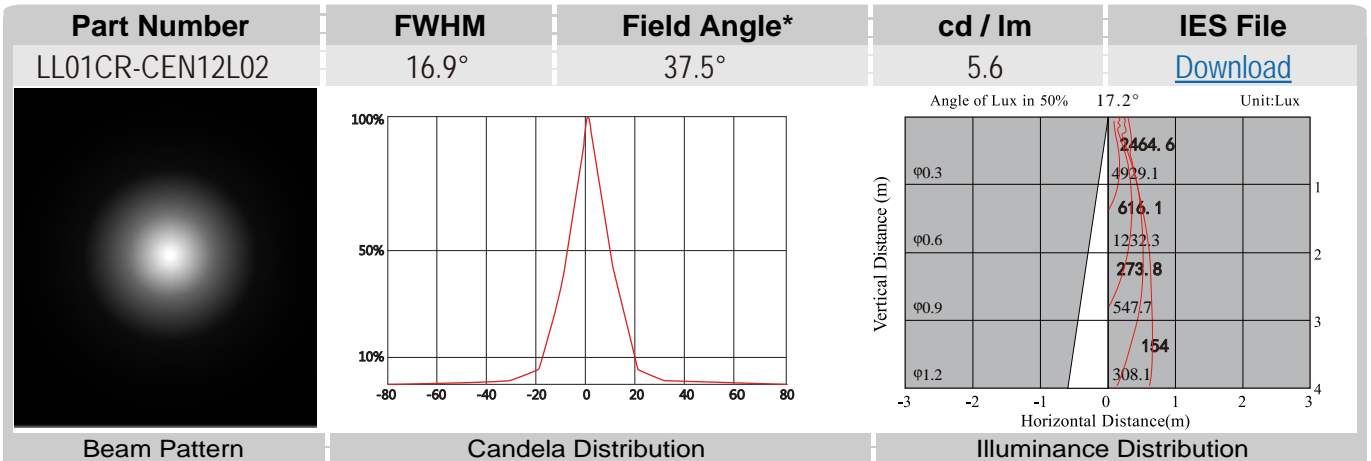


LL01CR-CENxxL02 Optical Specifications



HD30

Note: (1) All the results of analysis are based on 0 degrees of elevation.
 (2) Tolerance: $\pm 10\%$.
 (3) Led Luminous Flux(lm): 872($\pm 5\%$).



*The Field Angle is the angle between the two directions opposed to each other over the beam axis for which the luminous intensity is 10% that of the maximum luminous intensity.
 *This testing result is obtained through testing the popular rank LED samples which provided by the original manufacturer. Hence, the testing results would be varied as the users choose same LED model but different rank.

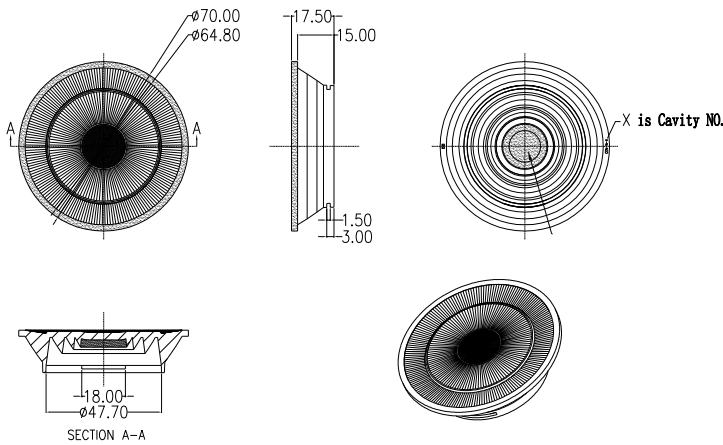
LL01CR-CENxxL02 Mechanical Specification

1. Fixing method

- Glue Screw Tape Fixing-ring Frame

Note: (1) All dimensions are in mm.
 (2) All tolerance are ± 0.15 mm unless otherwise specified.

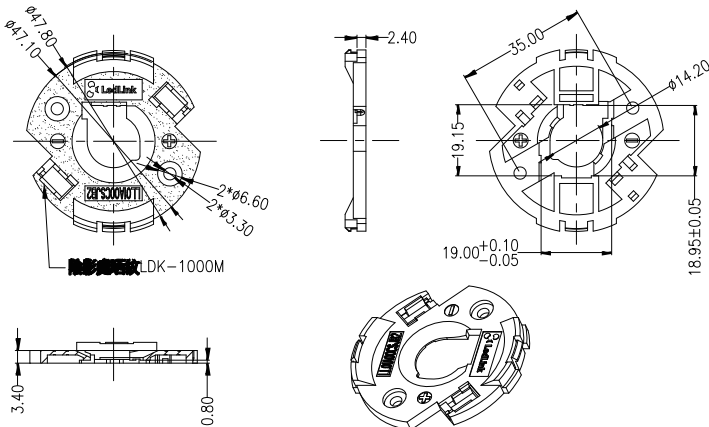
2. Lens dimension



3. Assembly instruction

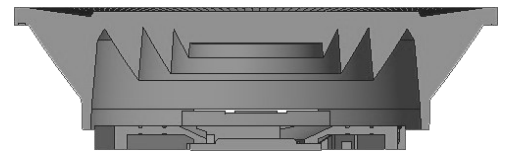


4. Connector dimension



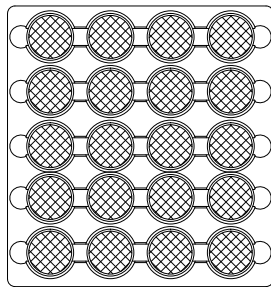
Connector part number : LL01A00CSJB2

5. View assembly lens with LED:



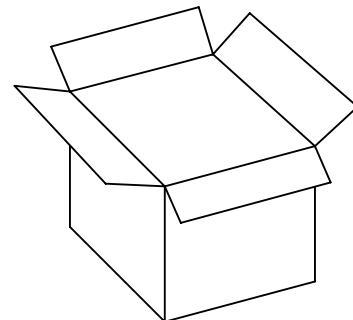
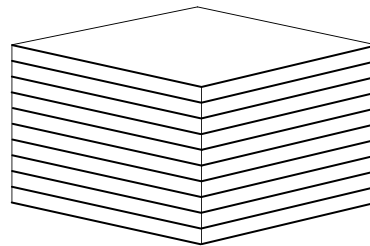
LL01CR-CENxxL02 Package Specifications

Item	Quantity	Total	Size(L*W*H)	G.W
plastic box	20 pcs/plastic box	20 pcs	38*26*2.1 cm	28.3g
outer box	90 plastic box/outer box	180 pcs	35*31*21 cm	



LL-0657

20 pcs/plastic box



180 pcs/outer box



Note: