

# Data Sheet

LL01CR-DFxxL06-M2



Xlamp XP-E



## ■ Features & Typical Applications

- High efficiency
- Available with 6 beam angles
- Optimized Uniformity
- Lens with Holder
- Spotlight
- Architectural Lighting

## ■ Table of Contents

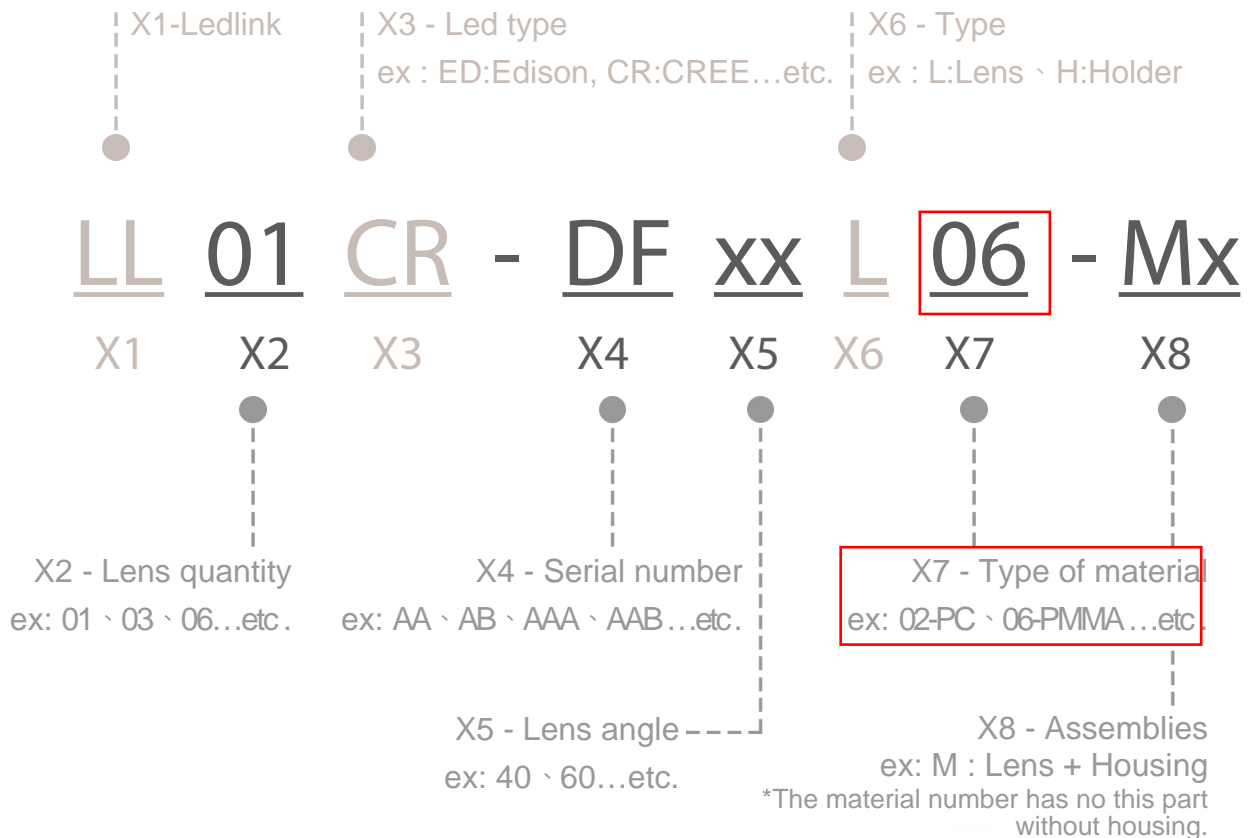
General Information & Product Nomenclature.....	P.2
Optical Specifications .....	P.3
Mechanical Specifications .....	P.5
Package Specifications .....	P.6

# LL01CR-DFxxL06-M2

## General Information

- Lens Material : PMMA
- Operating Temperature range -40°C~+70°C(upper limit +80°C)
- Storage Temperature range -40°C~+70°C(upper limit +80°C)
  - \* Average transmittance in visible spectrum 400nm~700nm>90%
- Usage and Maintenance:
  1. If necessary, clean lenses with mild soap, water and soft cloth.
  2. Never use any commercial cleaning solvents on lenses, like alcohol.
  3. Please handle or install lenses with wearing gloves, skin oils may damage lens or its optical characteristic.

## Product Nomenclature

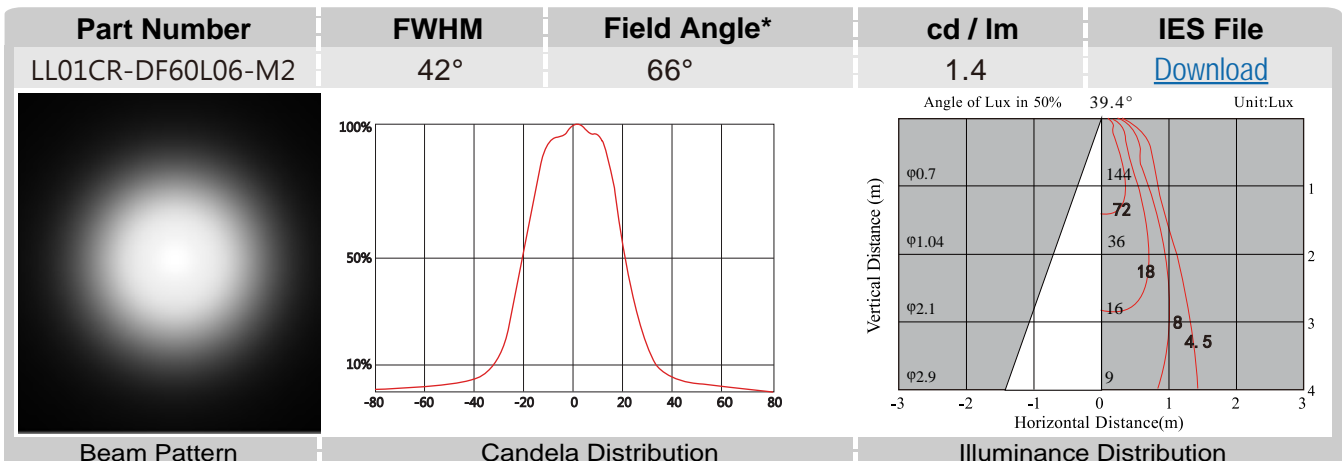
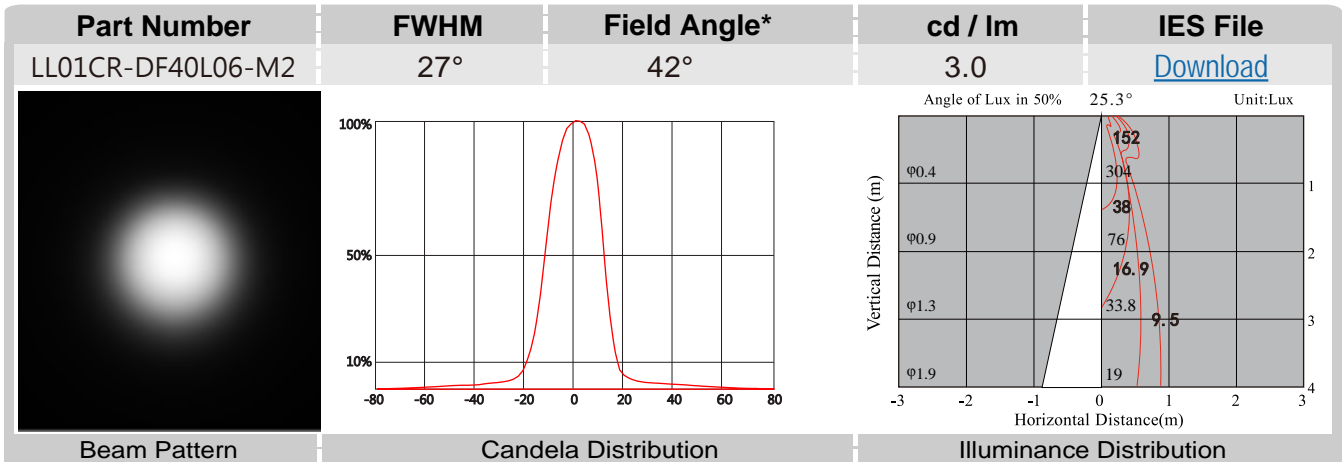
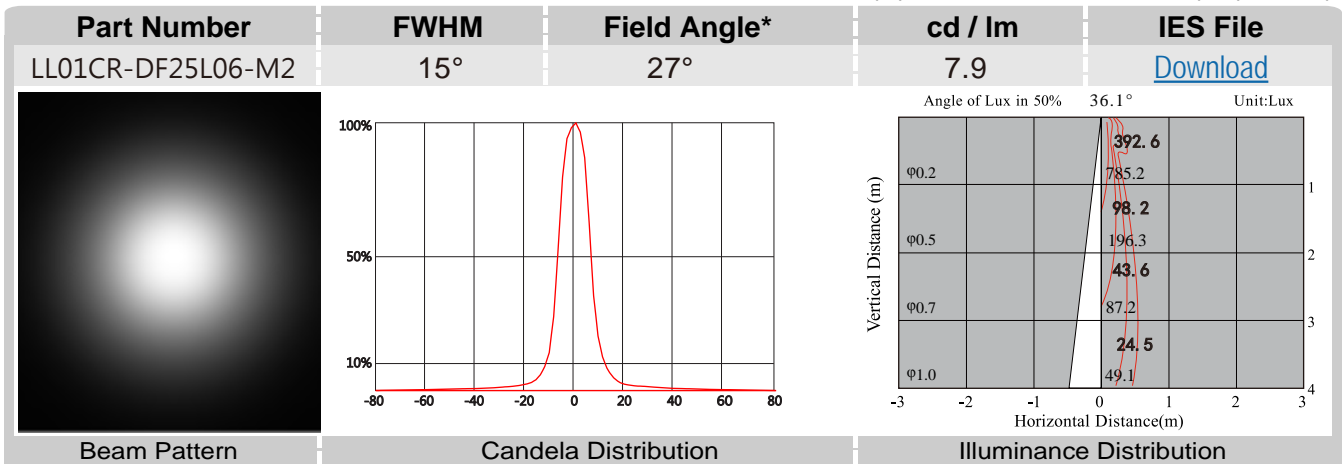


# LL01CR-DFxxL06-M2 Optical Specifications



**Xlamp XP-E**

Note: (1) All the results of analysis are based on 0 degrees of elevation.  
 (2) Tolerance:  $\pm 10\%$ .  
 (3) Led Luminous Flux(lm): 100( $\pm 5\%$ ).

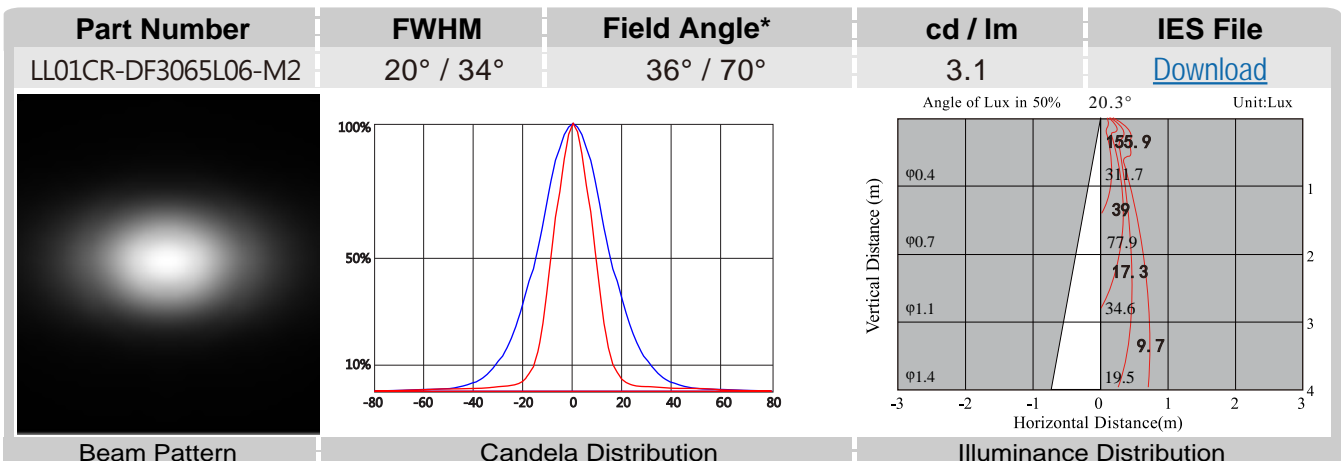
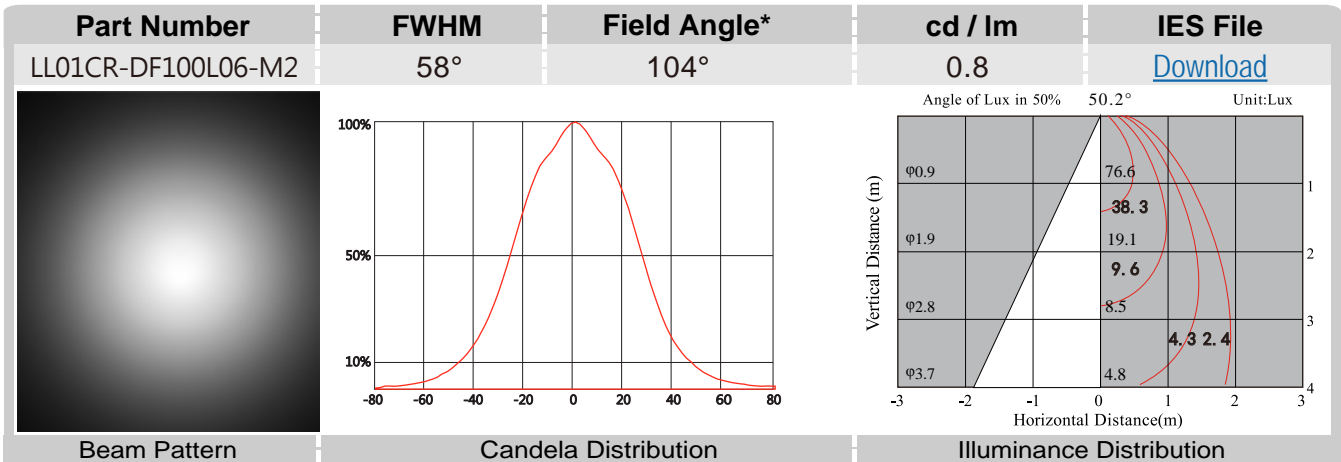
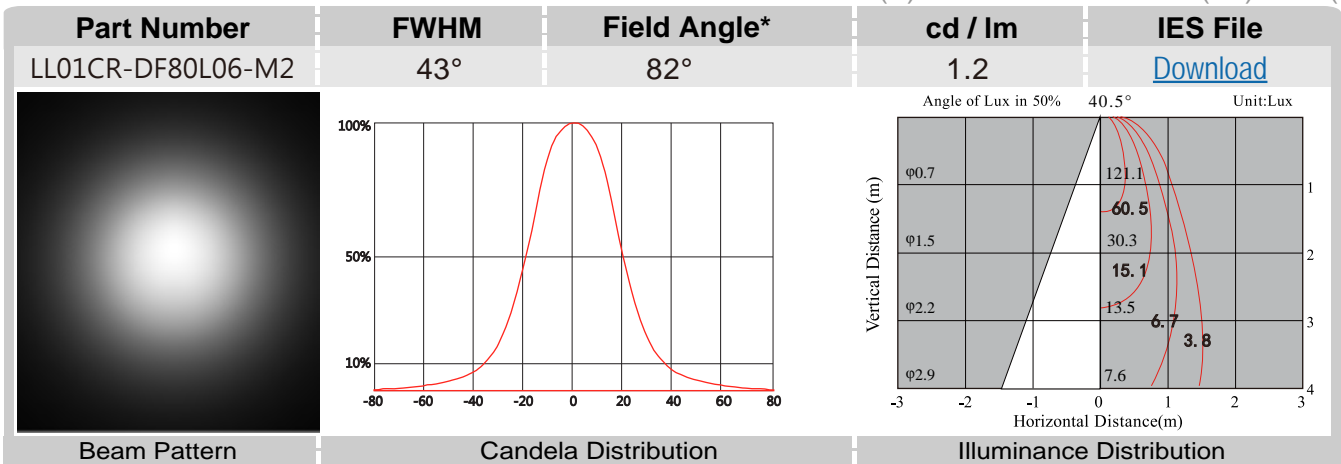


# LL01CR-DFxxL06-M2 Optical Specifications



**Xlamp XP-E**

Note: (1) All the results of analysis are based on 0 degrees of elevation.  
 (2) Tolerance:  $\pm 10\%$ .  
 (3) Led Luminous Flux(lm): 100( $\pm 5\%$ ).



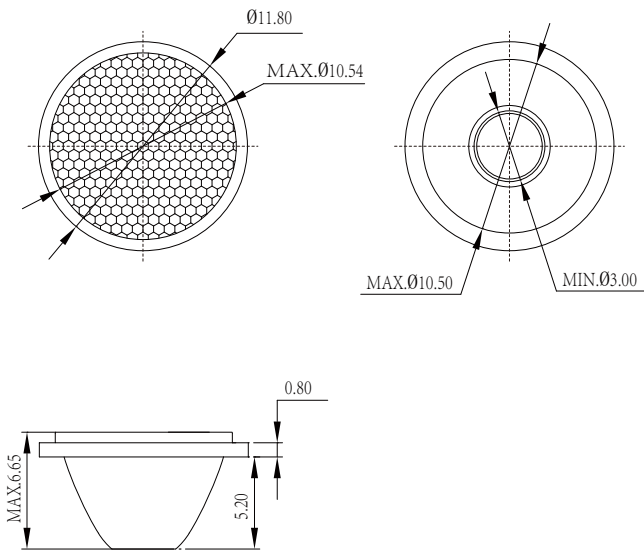
# LL01CR-DFxxL06-M2 Mechanical Specification

Note: (1)All dimensions are in mm.

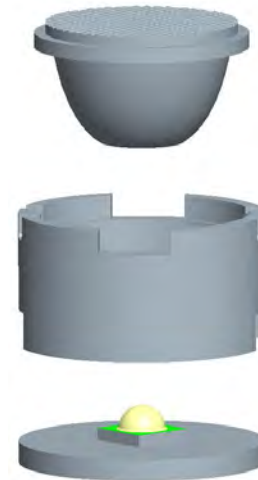
## 1. Fixing method

- Glue     
  Screw     
  Tape     
  Fixing-ring     
  Frame

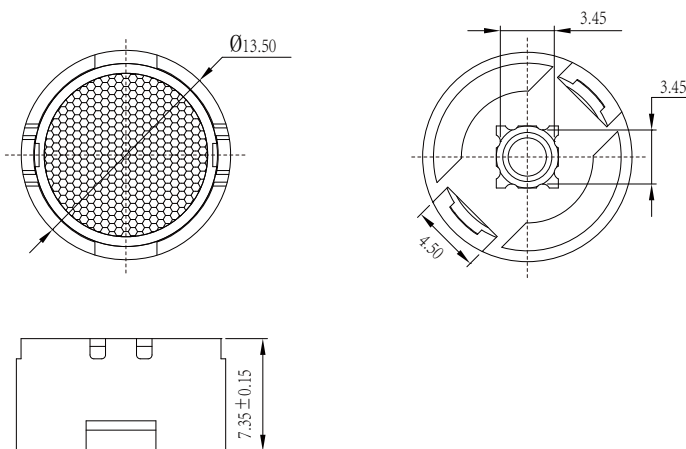
## 2. Lens dimensions



## 3. Assembly instruction



## 4. Lens assembly dimensions



Holder part number : LL01CR10H2

## 5. View assembly lens with LED:

