

Data Sheet

LL01CR-DFxxL06-M2



Xlamp XP-E



■ Features & Typical Applications

- High efficiency
- Available with 6 beam angles
- Optimized Uniformity
- Lens with Holder
- Spotlight
- Architectural Lighting

■ Table of Contents

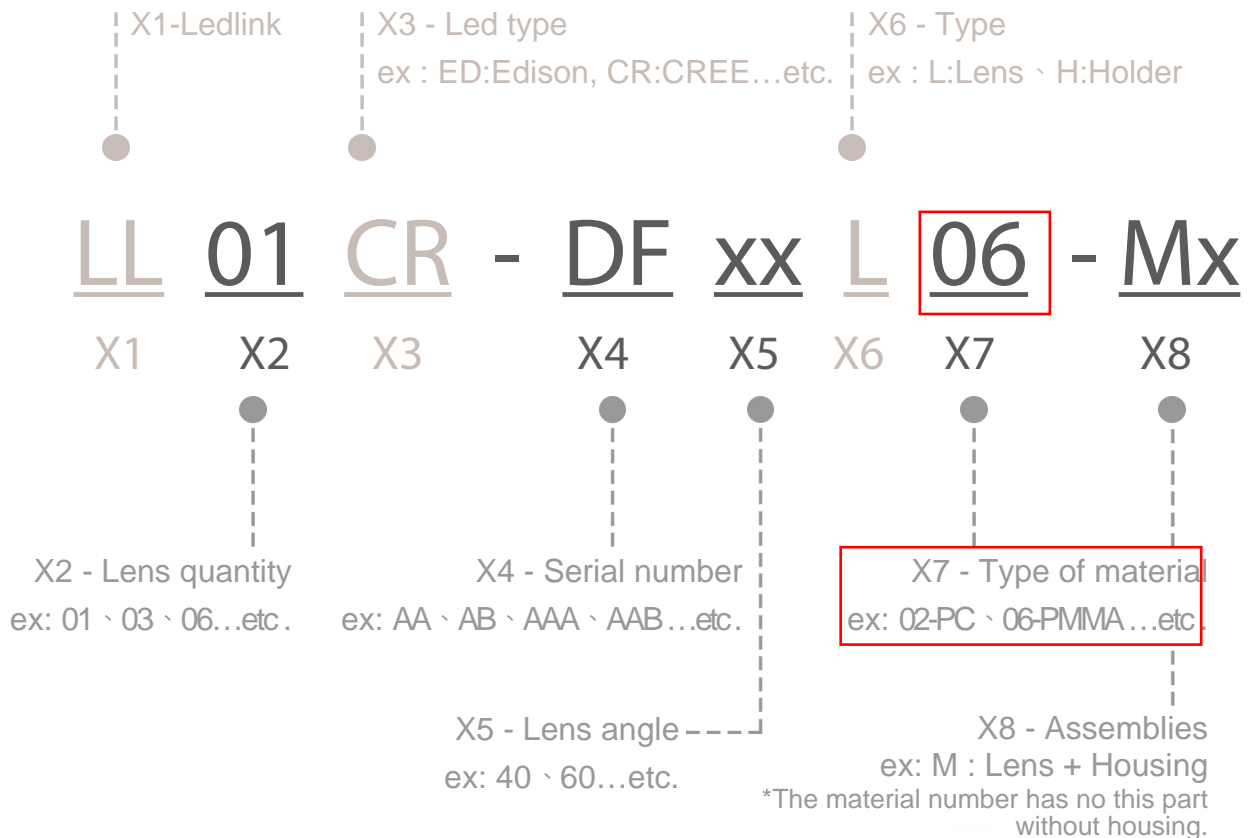
| | |
|---|-----|
| General Information & Product Nomenclature..... | P.2 |
| Optical Specifications | P.3 |
| Mechanical Specifications | P.5 |
| Package Specifications | P.6 |

LL01CR-DFxxL06-M2

General Information

- Lens Material : PMMA
- Operating Temperature range -40°C~+70°C(upper limit +80°C)
- Storage Temperature range -40°C~+70°C(upper limit +80°C)
 - * Average transmittance in visible spectrum 400nm~700nm>90%
- Usage and Maintenance:
 1. If necessary, clean lenses with mild soap, water and soft cloth.
 2. Never use any commercial cleaning solvents on lenses, like alcohol.
 3. Please handle or install lenses with wearing gloves, skin oils may damage lens or its optical characteristic.

Product Nomenclature

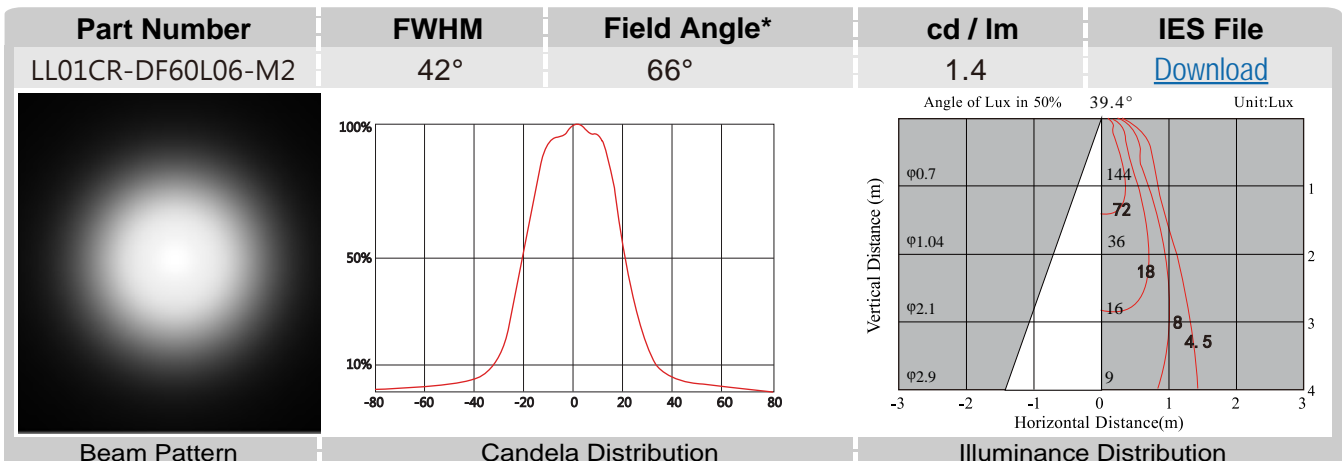
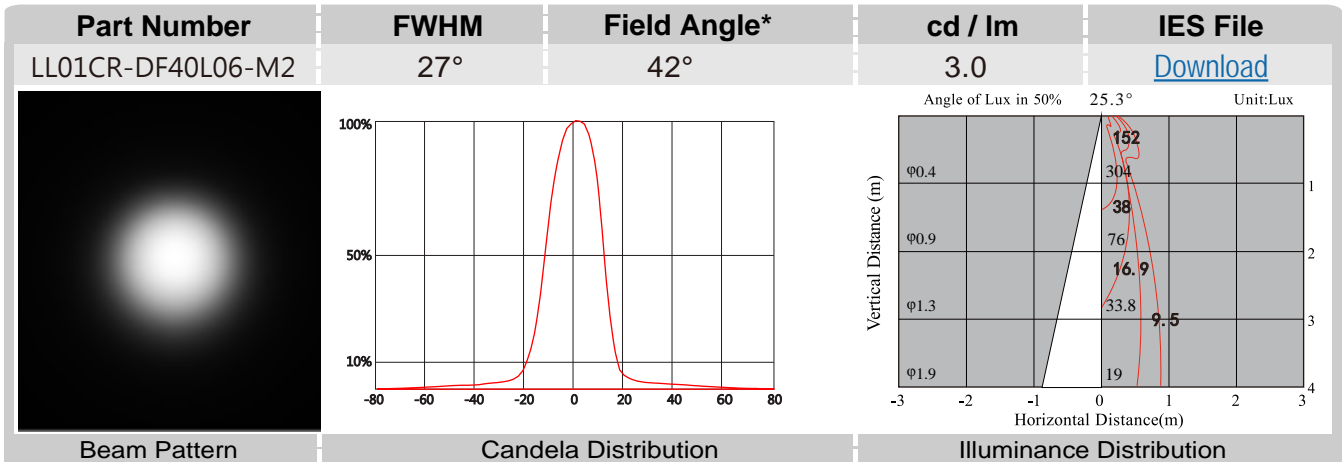
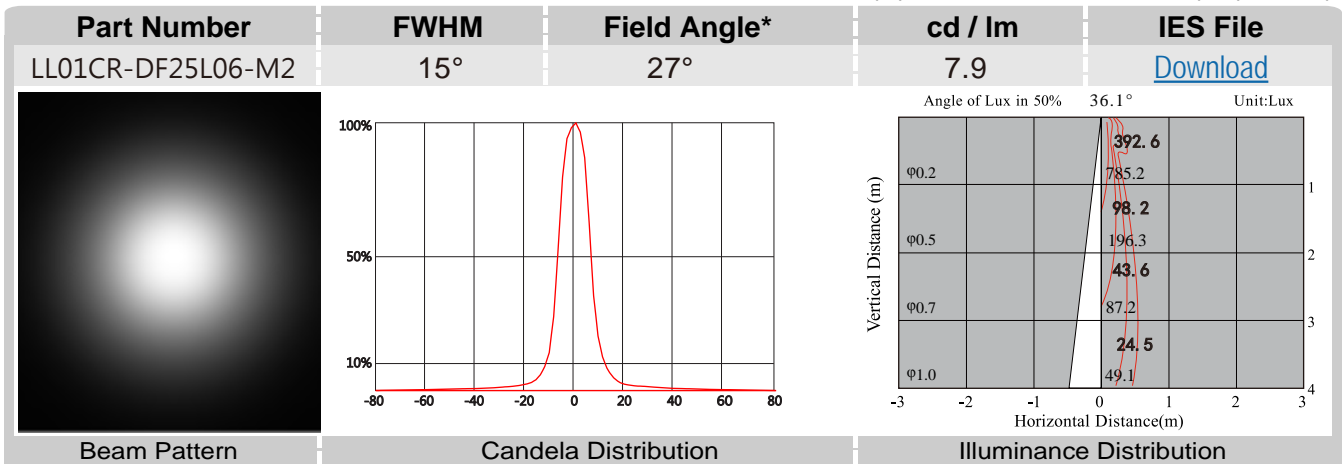


LL01CR-DFxxL06-M2 Optical Specifications



Xlamp XP-E

Note: (1) All the results of analysis are based on 0 degrees of elevation.
 (2) Tolerance: $\pm 10\%$.
 (3) Led Luminous Flux(lm): 100($\pm 5\%$).

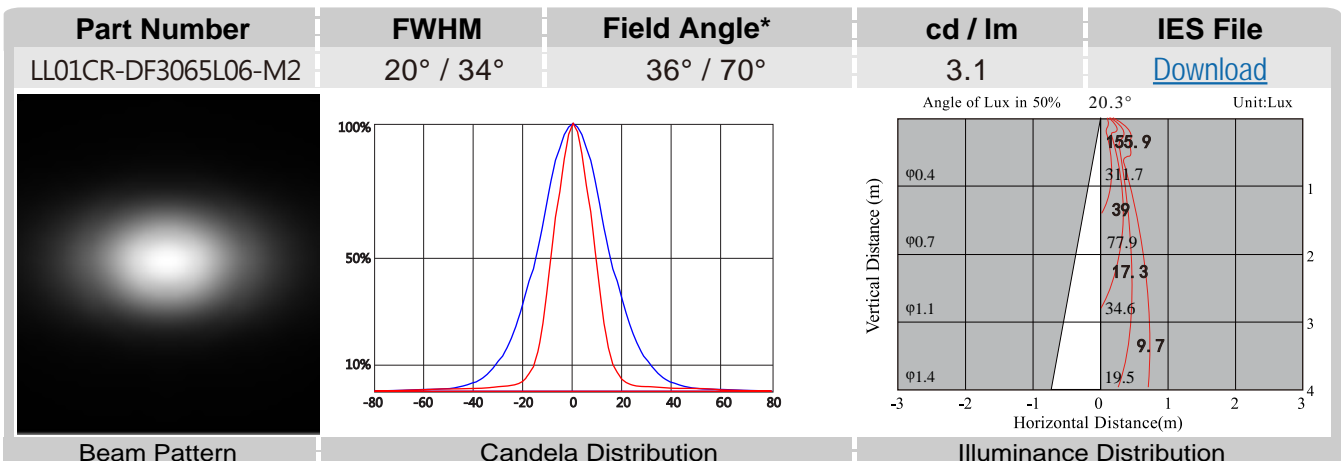
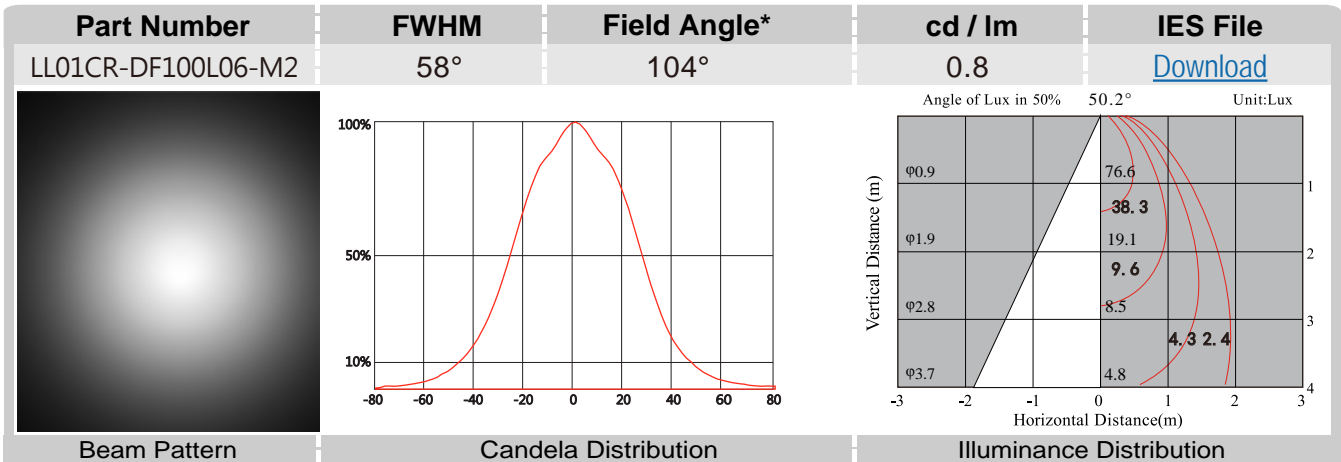
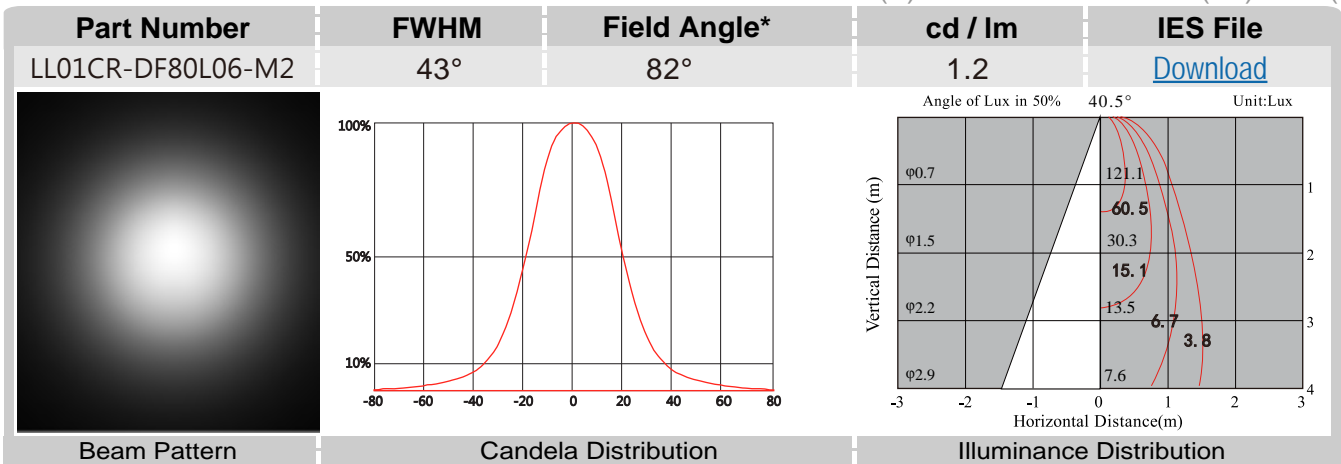


LL01CR-DFxxL06-M2 Optical Specifications



Xlamp XP-E

Note: (1) All the results of analysis are based on 0 degrees of elevation.
 (2) Tolerance: $\pm 10\%$.
 (3) Led Luminous Flux(lm): 100($\pm 5\%$).



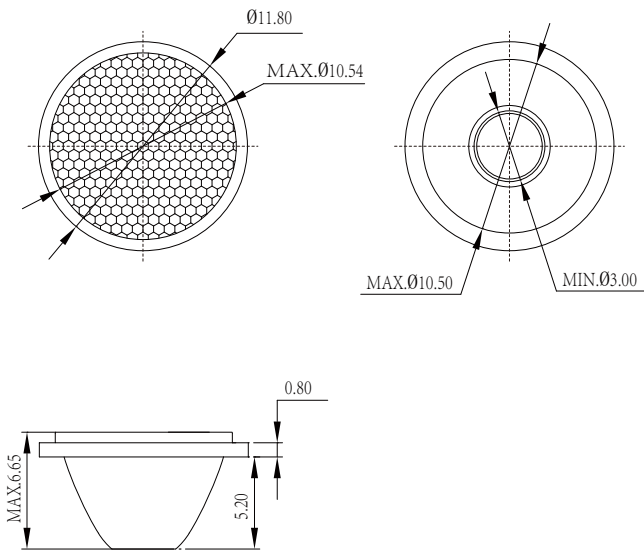
LL01CR-DFxxL06-M2 Mechanical Specification

Note: (1)All dimensions are in mm.

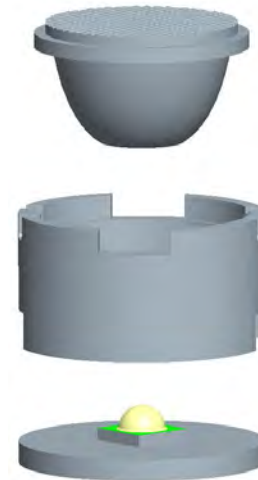
1. Fixing method

- Glue
 Screw
 Tape
 Fixing-ring
 Frame

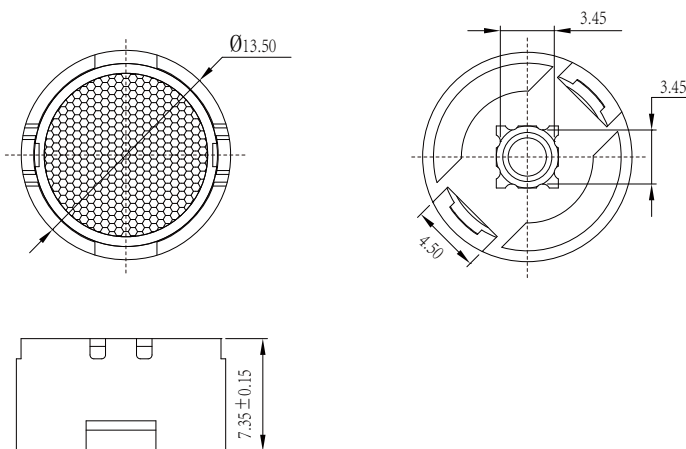
2. Lens dimensions



3. Assembly instruction



4. Lens assembly dimensions



Holder part number : LL01CRCR10H2

5. View assembly lens with LED:

