

DATA SHEET

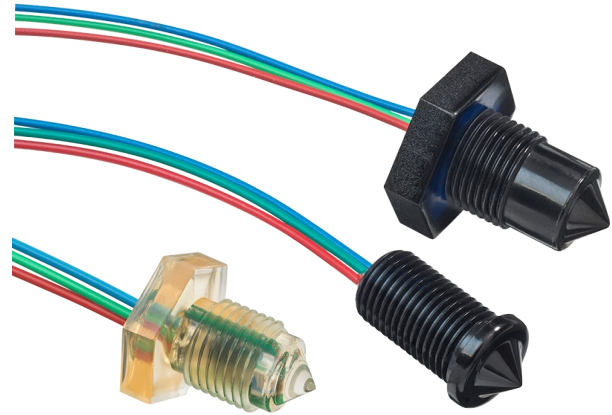
Liquid Level Switches

Optomax Digital Series



FEATURES

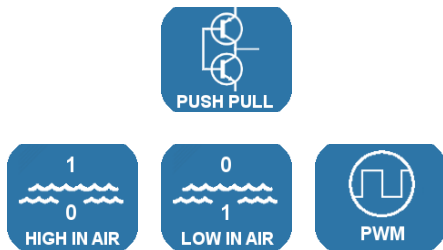
- Liquid level switches that can detect almost any liquid type; oil or water based
- Choice of material; Polysulfone (standard) or Trogamid®
- Choice of threads



Housing/ Mounting

- M10x1
- M12x1
- 1/4" NPT
- 1/2"-20 UNF

Output Type / Logic



Supply Voltage

4.5 - 15.4 V
VOLTAGE

Output Current

UP TO 100mA
CURRENT

Temp

-25°C to +80°C
TEMPERATURE

-40°C to +125°C
TEMPERATURE

BENEFITS

- Low power
- Low cost
- Compact design

TECHNICAL SPECIFICATIONS

| | |
|---------------------------------------|---|
| Supply voltage (Vs) | 4.5V _{DC} to 15.4V _{DC} or 4.5V _{DC} to 5.5V _{DC} (PWM output) |
| Supply current (Is) | 2.5mA max. (Vs = 15.4V _{DC}) |
| Output sink and source current (Iout) | 100mA |
| Operating temperatures | Standard: -25°C to +80°C Extended: -40°C to +125°C |
| Storage temperatures | Standard: -30°C to +85°C Extended: -40°C to +125°C |
| Housing material ^{a, b} | Polysulfone or Trogamid® |
| Sensor termination | 24AWG, 250mm PTFE wires, 8mm tinned |

OUTPUT VALUES

Output Voltage^c (Vout): Iout = 100mA
Output High Vout = Vs - 1.5V max
Output Low Vout = 0V + 0.5V max

PWM
Duty cycle in air 25% ± 10%
Duty cycle in liquid 75% ± 10%
Frequency 2kHz ± 10%

Other sensor options available on request, email:
technical@sstsensing.com

Need help? Ask the expert
Tel: + 44 (0)1236 459 020
and ask for "Technical"



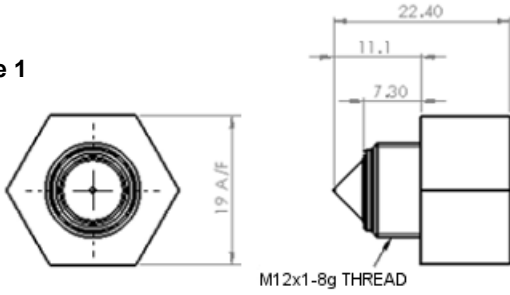
NOTES

- Above +85°C, Trogamid is suitable for use in water based liquids. Oil based liquids can cause deformation of the sensing tip and must be tested for compatibility.
- Before use check that the fluid in which you wish to use these devices is compatible either with Polysulfone or Trogamid®.
- Voltages applicable to output value stated.

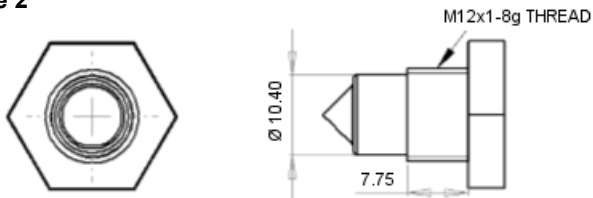
OUTLINE DRAWING

All dimensions shown in mm. Tolerances = ± 1 mm.

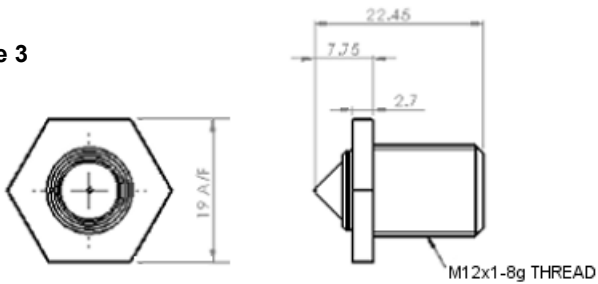
Type 1



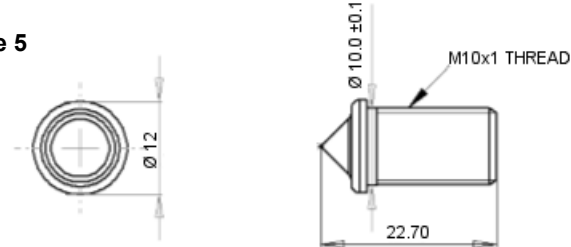
Type 2



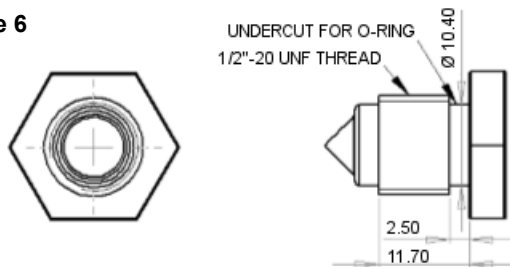
Type 3



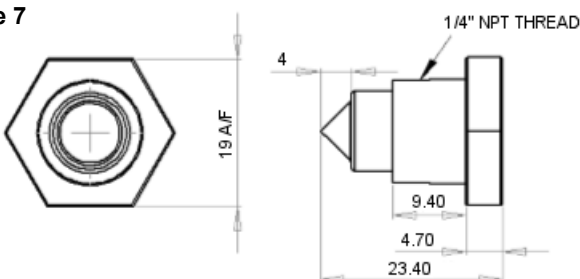
Type 5



Type 6



Type 7

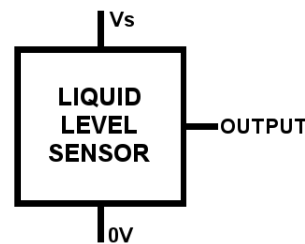


HOUSING SPECIFICATIONS

| | Housing Series | | |
|-----------------------|-------------------------------|--------|--------|
| | Type 1 | Type 2 | Type 3 |
| Thread | M12x1-8g ^d | | |
| Pressure ^g | 7 bar / 101 psi maximum | | |
| Tightening Torque | 1.5 Nm / 13.26 in-lbs maximum | | |

| | Housing Series | | |
|-----------------------|-------------------------------|--------------------------|-----------------------|
| | Type 5 | Type 6 | Type 7 |
| Thread | M10x1 | 1/2"-20 UNF ^e | 1/4" NPT ^f |
| Pressure ^g | 20 bar / 209 psi max. | 7 bar / 101 psi maximum | |
| Tightening Torque | 1.5 Nm / 13.26 in-lbs maximum | | |

ELECTRICAL INTERFACE



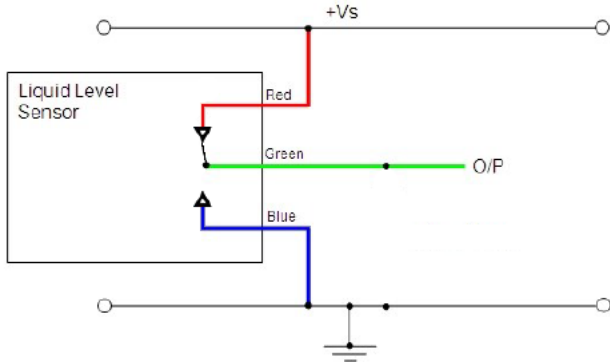
| Wire | Designation |
|-------|-------------|
| Red | Vs |
| Green | Output |
| Blue | 0V |



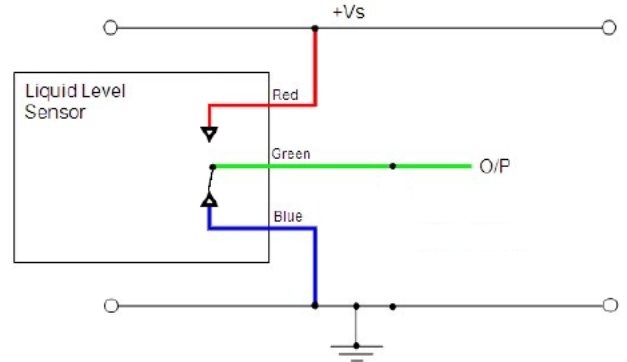
- d) Types 1, 2 and 3 can be sealed with washers and locknuts.
 e) Type 6 should be sealed with Parker 3-905 type o-ring.
 f) Type 7 should be sealed with PTFE tape.
 g) When correctly sealed.

In order to suit any application, these sensors have been designed with various output circuit configurations.

Digital Output High in Air



Digital Output Low in Air



CAUTION: Take care when connecting loads.

The minimum load impedance should not exceed $V_s/\text{max output current}$.

Note: Shorting the output to V_s or $0V$ will result in irreparable damage to the sensor.



ORDER INFORMATION

Generate your specific part number using the convention shown opposite. Use only those letters and numbers that correspond to the sensor and output options you require — omit those you do not.

Sensor mounted from inside vessel

L L X X X 0 D 3 X

| Housing Material | Housing Type | Operating Temp. | Output Logic |
|-------------------------|--------------------------------|---------------------------------|---------------------------------------|
| C Polysulfone | 3 Type 3 M12x1-8g | 0 -25 °C to +80°C | Blank Output High in air |
| T Trogamid® | 5 Type 5 M10x1 | 1 -40 °C to +125°C | L Output Low in air |
| | | | P PWM output |

Sensor mounted from outside vessel

L L X X X 0 D 3 X S H

| Housing Material | Housing Type | Operating Temp. | Output Logic |
|-------------------------|-----------------------------------|---------------------------------|---------------------------------------|
| C Polysulfone | 1 Type 1 M12x1-8g | 0 -25 °C to +80°C | Blank Output High in air |
| T Trogamid® | 2 Type 2 M12x1-8g | 1 -40 °C to +125°C | L Output Low in air |
| | 6 Type 6 1/2"-20 UNF | | P PWM output |
| | 7 Type 7 1/4" NPT | | |

Notes:

- Type 3 and Type 5 sensors are mounted internally.
- Types 1, 2, 6 & 7 sensors are mounted externally.
- SH suffix applicable to Types 1, 2, 6 & 7 sensors only; omit from Type 3 and Type 5 sensor part numbers.

Please contact SST Sensing for details; email: technical@sstsensing.com