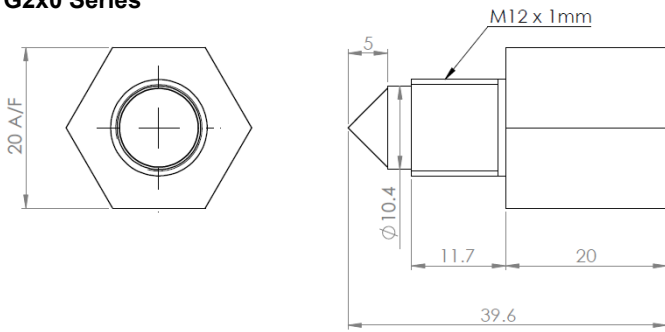


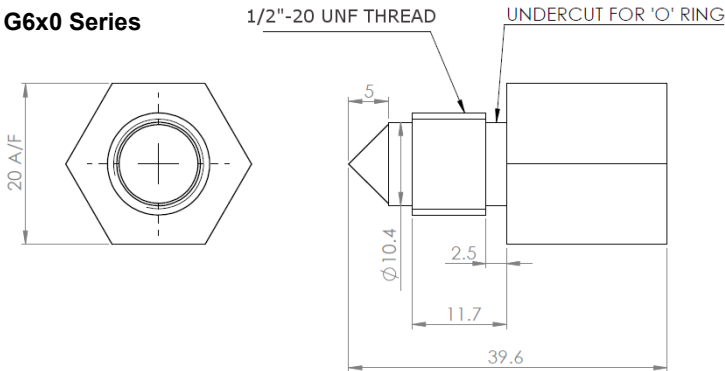
OUTLINE DRAWING

All dimensions shown in mm. Tolerances = ± 1 mm.

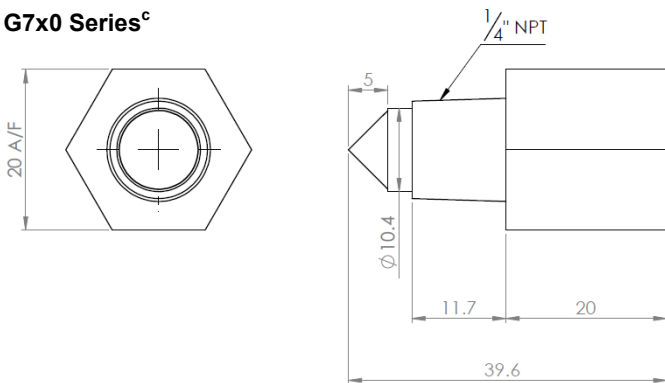
G2x0 Series^c



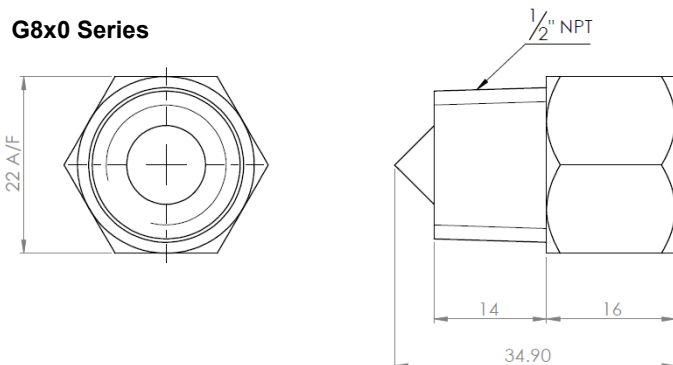
G6x0 Series



G7x0 Series^c



G8x0 Series



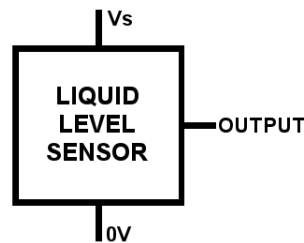
HOUSING SPECIFICATIONS

	Housing Series	
	G2x0	G6x0
Thread ^d	M12x1 with hex nut	1/2"-20 UNF with O-ring
Pressure ^e	100 bar / 1450 psi maximum	
Tightening Torque ^f	3 Nm / 26.5 in-lbs maximum	

	Housing Series	
	G7x0	G8x0
Thread ^d	1/4" NPT	1/2" NPT
Pressure ^e	100 bar / 1450 psi maximum	600 bar / 8702 psi maximum
Tightening Torque ^f	3 Nm / 26.5 in-lbs maximum	

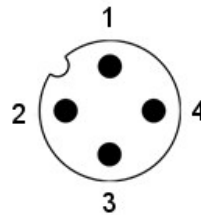
ELECTRICAL INTERFACE OPTIONS

Flying Leads



Wire	Designation
Red	Vs
Green	Output
Blue	0V

M12 Connector



Pin	Designation
1	Vs
2	Not connected
3	0V
4	Output



- c) Standard switch dimensions shown; when fitted with M12 connector, the overall length of the switch is 63.6mm.
- d) Refer to mounting information on page 4.
- e) When correctly sealed.
- f) Do NOT over-tighten as this can permanently damage the switch.

In order to suit any application, these switches have been designed with various output circuit configurations. They are identified by the 3-digit output type code in the part number as shown in [Order Information](#).

**N-Type with Flyback Protection Diode
High in Air**



**N-Type with Flyback Protection Diode
Low in Air**



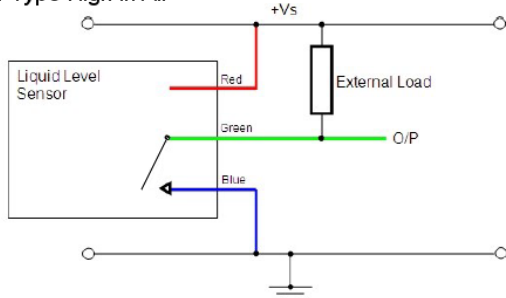
**N-Type with Internal 10kΩ Pull-Up Resistor
High in Air**



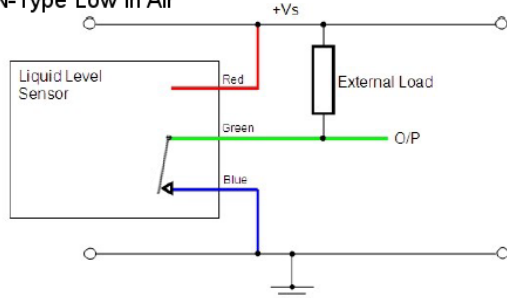
**N-Type with Internal 10kΩ Pull-Up Resistor
Low in Air**



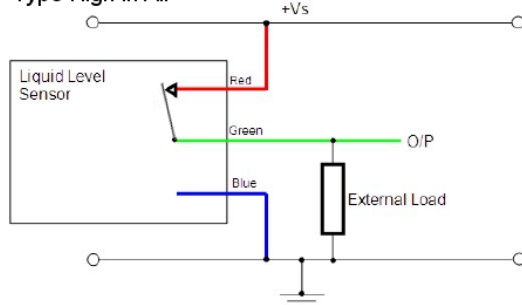
N-Type High in Air



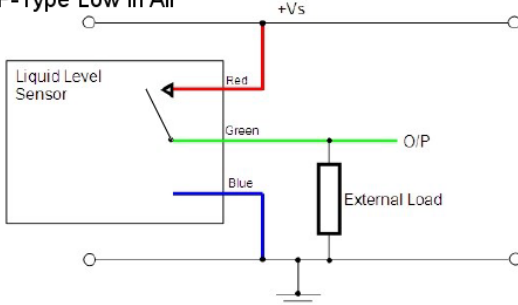
N-Type Low in Air



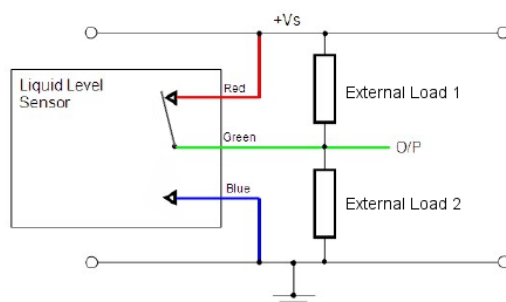
P-Type High in Air



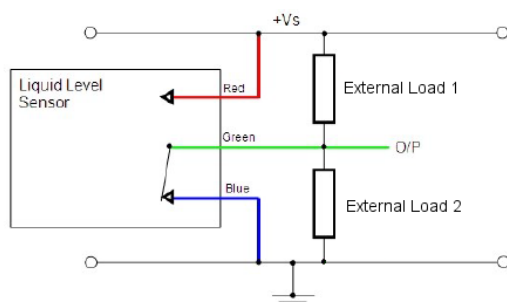
P-Type Low in Air



N&P-Type Push Pull High in Air



N&P-Type Push Pull Low in Air



CAUTION: Take care when connecting loads.

The minimum load impedance should not exceed $V_s/\text{max output current}$.

Note: Shorting the output to V_s or $0V$ will result in irreparable damage to the switch.